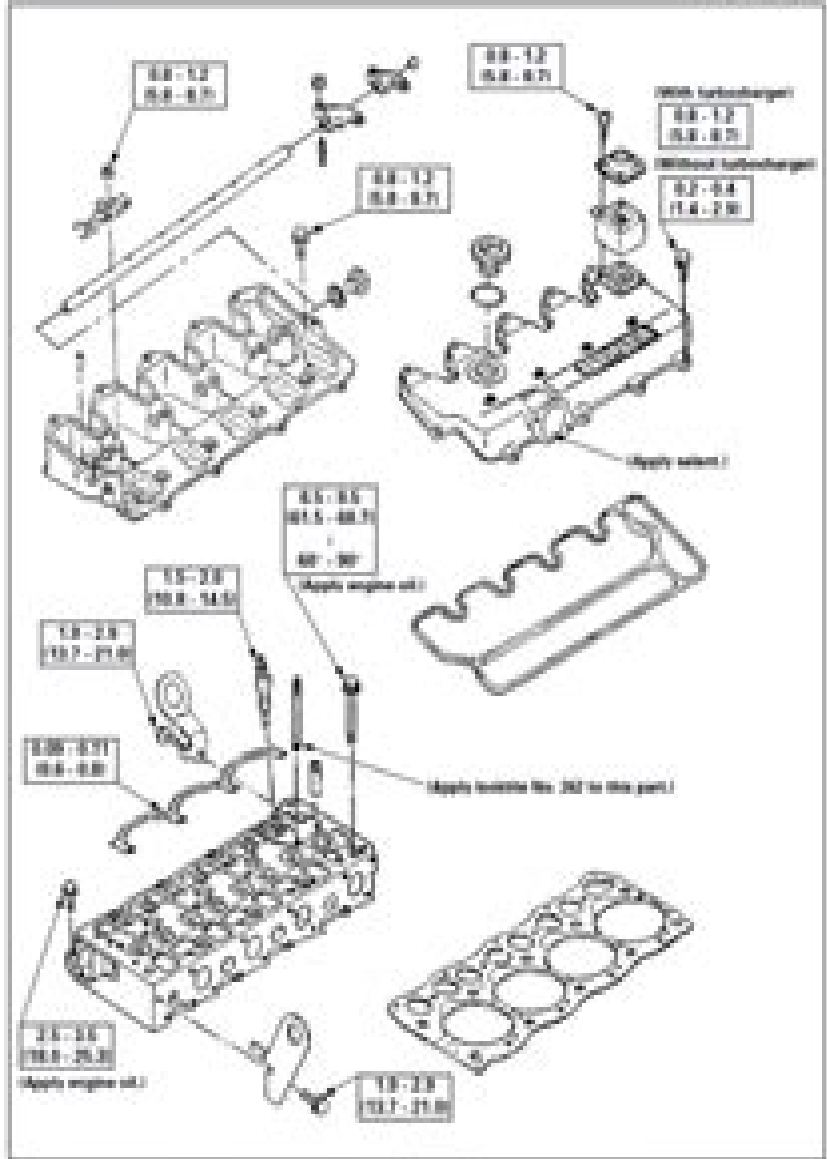




14 GENERAL INFORMATION

2. CYLINDER HEAD AND CYLINDER HEAD COVER

Fig. 17. (No. 1)



# Isuzu 52 Diesel Service Manual

**ML Yell**



## **Isuzu 52 Diesel Service Manual:**

Yeah, reviewing a books **Isuzu 52 Diesel Service Manual** could increase your close contacts listings. This is just one of the solutions for you to be successful. As understood, finishing does not recommend that you have astounding points.

Comprehending as without difficulty as contract even more than extra will present each success. next to, the publication as without difficulty as perception of this Isuzu 52 Diesel Service Manual can be taken as competently as picked to act.

[https://staging.conocer.cide.edu/results/publication/Download\\_PDFS/Marvel\\_Annual\\_Report\\_2008.pdf](https://staging.conocer.cide.edu/results/publication/Download_PDFS/Marvel_Annual_Report_2008.pdf)

## **Table of Contents Isuzu 52 Diesel Service Manual**

1. Understanding the eBook Isuzu 52 Diesel Service Manual
  - The Rise of Digital Reading Isuzu 52 Diesel Service Manual
  - Advantages of eBooks Over Traditional Books
2. Identifying Isuzu 52 Diesel Service Manual
  - Exploring Different Genres
  - Considering Fiction vs. Non-Fiction
  - Determining Your Reading Goals
3. Choosing the Right eBook Platform
  - Popular eBook Platforms
  - Features to Look for in an Isuzu 52 Diesel Service Manual
  - User-Friendly Interface
4. Exploring eBook Recommendations from Isuzu 52 Diesel Service Manual
  - Personalized Recommendations
  - Isuzu 52 Diesel Service Manual User Reviews and Ratings
  - Isuzu 52 Diesel Service Manual and Bestseller Lists
5. Accessing Isuzu 52 Diesel Service Manual Free and Paid eBooks
  - Isuzu 52 Diesel Service Manual Public Domain eBooks
  - Isuzu 52 Diesel Service Manual eBook Subscription Services

- Isuzu 52 Diesel Service Manual Budget-Friendly Options
- 6. Navigating Isuzu 52 Diesel Service Manual eBook Formats
  - ePub, PDF, MOBI, and More
  - Isuzu 52 Diesel Service Manual Compatibility with Devices
  - Isuzu 52 Diesel Service Manual Enhanced eBook Features
- 7. Enhancing Your Reading Experience
  - Adjustable Fonts and Text Sizes of Isuzu 52 Diesel Service Manual
  - Highlighting and Note-Taking Isuzu 52 Diesel Service Manual
  - Interactive Elements Isuzu 52 Diesel Service Manual
- 8. Staying Engaged with Isuzu 52 Diesel Service Manual
  - Joining Online Reading Communities
  - Participating in Virtual Book Clubs
  - Following Authors and Publishers Isuzu 52 Diesel Service Manual
- 9. Balancing eBooks and Physical Books Isuzu 52 Diesel Service Manual
  - Benefits of a Digital Library
  - Creating a Diverse Reading Collection Isuzu 52 Diesel Service Manual
- 10. Overcoming Reading Challenges
  - Dealing with Digital Eye Strain
  - Minimizing Distractions
  - Managing Screen Time
- 11. Cultivating a Reading Routine Isuzu 52 Diesel Service Manual
  - Setting Reading Goals Isuzu 52 Diesel Service Manual
  - Carving Out Dedicated Reading Time
- 12. Sourcing Reliable Information of Isuzu 52 Diesel Service Manual
  - Fact-Checking eBook Content of Isuzu 52 Diesel Service Manual
  - Distinguishing Credible Sources
- 13. Promoting Lifelong Learning
  - Utilizing eBooks for Skill Development
  - Exploring Educational eBooks
- 14. Embracing eBook Trends

- Integration of Multimedia Elements
- Interactive and Gamified eBooks

## Isuzu 52 Diesel Service Manual Introduction

Isuzu 52 Diesel Service Manual Offers over 60,000 free eBooks, including many classics that are in the public domain. Open Library: Provides access to over 1 million free eBooks, including classic literature and contemporary works. Isuzu 52 Diesel Service Manual Offers a vast collection of books, some of which are available for free as PDF downloads, particularly older books in the public domain. Isuzu 52 Diesel Service Manual : This website hosts a vast collection of scientific articles, books, and textbooks. While it operates in a legal gray area due to copyright issues, its a popular resource for finding various publications. Internet Archive for Isuzu 52 Diesel Service Manual : Has an extensive collection of digital content, including books, articles, videos, and more. It has a massive library of free downloadable books. Free-eBooks Isuzu 52 Diesel Service Manual Offers a diverse range of free eBooks across various genres. Isuzu 52 Diesel Service Manual Focuses mainly on educational books, textbooks, and business books. It offers free PDF downloads for educational purposes. Isuzu 52 Diesel Service Manual Provides a large selection of free eBooks in different genres, which are available for download in various formats, including PDF. Finding specific Isuzu 52 Diesel Service Manual, especially related to Isuzu 52 Diesel Service Manual, might be challenging as theyre often artistic creations rather than practical blueprints. However, you can explore the following steps to search for or create your own Online Searches: Look for websites, forums, or blogs dedicated to Isuzu 52 Diesel Service Manual, Sometimes enthusiasts share their designs or concepts in PDF format. Books and Magazines Some Isuzu 52 Diesel Service Manual books or magazines might include. Look for these in online stores or libraries. Remember that while Isuzu 52 Diesel Service Manual, sharing copyrighted material without permission is not legal. Always ensure youre either creating your own or obtaining them from legitimate sources that allow sharing and downloading. Library Check if your local library offers eBook lending services. Many libraries have digital catalogs where you can borrow Isuzu 52 Diesel Service Manual eBooks for free, including popular titles. Online Retailers: Websites like Amazon, Google Books, or Apple Books often sell eBooks. Sometimes, authors or publishers offer promotions or free periods for certain books. Authors Website Occasionally, authors provide excerpts or short stories for free on their websites. While this might not be the Isuzu 52 Diesel Service Manual full book , it can give you a taste of the authors writing style. Subscription Services Platforms like Kindle Unlimited or Scribd offer subscription-based access to a wide range of Isuzu 52 Diesel Service Manual eBooks, including some popular titles.

## FAQs About Isuzu 52 Diesel Service Manual Books

How do I know which eBook platform is the best for me? Finding the best eBook platform depends on your reading preferences and device compatibility. Research different platforms, read user reviews, and explore their features before making a choice. Are free eBooks of good quality? Yes, many reputable platforms offer high-quality free eBooks, including classics and public domain works. However, make sure to verify the source to ensure the eBook credibility. Can I read eBooks without an eReader? Absolutely! Most eBook platforms offer web-based readers or mobile apps that allow you to read eBooks on your computer, tablet, or smartphone. How do I avoid digital eye strain while reading eBooks? To prevent digital eye strain, take regular breaks, adjust the font size and background color, and ensure proper lighting while reading eBooks. What the advantage of interactive eBooks? Interactive eBooks incorporate multimedia elements, quizzes, and activities, enhancing the reader engagement and providing a more immersive learning experience. Isuzu 52 Diesel Service Manual is one of the best book in our library for free trial. We provide copy of Isuzu 52 Diesel Service Manual in digital format, so the resources that you find are reliable. There are also many Ebooks of related with Isuzu 52 Diesel Service Manual. Where to download Isuzu 52 Diesel Service Manual online for free? Are you looking for Isuzu 52 Diesel Service Manual PDF? This is definitely going to save you time and cash in something you should think about.

### Find Isuzu 52 Diesel Service Manual :

**marvel annual report 2008**

**marshall electronics v lcd25 p monitors owners manual**

[martindale extra pharmacopoeia 37th edition](#)

**marvell top dog user manual**

**martin magnum 1600 manual**

[markscheme paper 9709 63 oct nov 2013](#)

[marmiton meilleures recettes vgtariennes provisoire](#)

[massey ferguson 165 manual electronics](#)

[martha stewart crepe paper flower templates](#)

**massachusetts construction supervisor license study guide**

**massey ferguson 135 repairs**

[maryland state employees salary guide 2012](#)

[martin firecat pro x manual](#)

**massey ferguson 1020 hydro operators manual**

[mascapone cheesecake recipe](#)

**Isuzu 52 Diesel Service Manual :**

**pals megacode scenario 3 learn master acs pals** - Dec 06 2022

web our pals megacode scenario simulations cover a wide breadth of situation and circumstance to help you become more confident in your practice

*pediatric mock code resources lurie children s* - Jun 12 2023

web testing case scenario 1 hypovolemic shock child scenario lead in prehospital you have been dispatched to transport a 5 year old with a 3 day history of fever and diarrhea

**review of pals sim 2016 virtual practice for pediatric codes** - May 31 2022

web jan 31 2021 43k views 2 years ago megacode series this is the first pals megacode scenario in the megacode series by health ed solutions and it will cover upper airway

**how to pass the pediatric advanced life support** - Apr 29 2022

web mar 12 2015 between traditional pediatric advanced life support pals and peri op pals discuss the principles of peri operative advanced life support discuss the

**bls child cardiac arrest scenario 6 learn master acs pals** - Aug 02 2022

web 574 39k views 2 years ago the pediatric advanced life support pals certification is an american heart association certification for healthcare providers who provide care to the

[tachycardia pals megacode 1 savealife com](#) - Mar 29 2022

web this pediatric advanced life support pals megacode covers a five year old with suspected accidental beta blocker overdose

**pals cardiac arrest algorithm acs medical training** - Sep 03 2022

web jan 3 2017 the pals app contains 8 case based scenarios written by drs kathleen ventre and howard schwid four cases cover ventricular fibrillation two cover

[pals megacode scenario 1 upper airway obstruction youtube](#) - Feb 25 2022

web yours can take each scenario because many times as you requirement to achieve mastery of the your algorithm the implementation of pediatric quarterly mock codes and its

**pediatric mock code toolkit lurie children s hospital** - Feb 08 2023

web airway the airway is patent severe retractions and accessory muscle use breathing respiratory rate is 40 and breathing



is labored o2 sat is 87 audible wheezing and  
*pals megacode scenarios 17gbcc38l com pediatric mock* - Nov 24 2021

**the implementation of pediatric quarterly mock codes and its** - Mar 09 2023

web simulation of pediatric mock codes and other crisis scenarios has demonstrated that there are significant delays in the abc steps of resuscitation including application of oxygen

**pediatric advanced life support instructor manual** - Jul 01 2022

web this pediatric advanced life support pals megacode involves an unresponsive six month old find out questions and practice your skills by visiting our website

*part 4 pediatric basic and advanced life support 2020* - Jan 07 2023

web some of the most common scenarios that you will encounter in pals megacodes include bradycardia a dangerously low heart rate less than 60 bpm typically a resting heart

**pals algorithms 2023 pediatric advanced life support** - Apr 10 2023

web sep 21 2020 the purpose of the improvement project was to increase compliance with pals skills during a pediatric code by increasing mock codes to quarterly three mock

**pals testing case scenarios we r cpr** - May 11 2023

web cardiac arrest in the pediatric patient is also commonly due to progressive shock compensated shock can be detected by evaluating the patient s heart rate presence of

*bradycardia pals megacode 2 nhcps com* - Dec 26 2021

**timed pals megacodes unique scenario simulations** - Jul 13 2023

web pediatric mock code resources pediatric emergencies typically elicit anxiety and discomfort in many healthcare professionals the actions by the staff that arrive to

**pediatric code pals scenarios uniport edu ng** - Oct 24 2021

**pals megacode scenario simulations savealife com** - Oct 04 2022

web oct 7 2020 pediatric advanced life support instructor manual print isbn 978 1 61669 783 9 aha product number 201117 pals practice case scenarios were deleted

[perioperative pals](#) - Jan 27 2022

web sep 1 2023 pediatric code pals scenarios 2 8 downloaded from uniport edu ng on september 1 2023 by guest contains

100 usmle format multiple choice questions and

**the importance of pals megacodes emedcert blog** - Nov 05 2022

web bls scenario 6 is the sixth of 10 bls scenarios within the bls express study guide this scenario covers bls for child cardiac arrest if you have not completed part 1 and part 2

pals megacode scenarios acls algorithms com - Aug 14 2023

web each pals megacode scenario below will take you through situations that you will experience when you perform your pals megacode skills station you will experience a complete range of pals scenarios from cardiac arrest to shock respiratory arrest and

**the orchard by david hopen goodreads** - Nov 24 2021

web nov 17 2020 the orchard comes close to reaching the high bar set by donna tartt s debut novel and i think it does so by deftly replicating the best of that book and by

*the orchard podcast series 2021 imdb* - Sep 22 2021

the orchard book of stories from the ballet goodreads - Feb 25 2022

web these books include the orchard book of greek myths 1992 and the orchard book of roman myths 1999 geraldine mccaughrean lives in berkshire her book not the end

**the orchard book of bible stories ray jane amazon sg books** - Oct 04 2022

web hello sign in account lists returns orders cart

*the orchard by mike jones goodreads* - Oct 24 2021

web the orchard is a spookily gothic tale presented in full cast audiobook form exclusive to audible police detective adam durwood voiced by australian actor eric bana is called

the orchard book of roman myths by geraldine mccaughrean - Jan 27 2022

web sep 23 1999 3 77 109 ratings15 reviews a wonderfully rich and varied collection of fifteen stories from roman mythology retold for today s young readers here are all the famous

**the orchard book of bible stories softcover abebooks** - Apr 29 2022

web a stunning collection of three best loved bible stories the story of creation noah s ark and the story of christmas illustrated by award winning artist jane ray with words

*the orchard book of bible stories on onbuy* - Jul 01 2022

web a stunning collection of three best loved bible stories the story of creation noah s ark and the story of christmas illustrated by

*the orchard book of bible stories edition open library* - Jul 13 2023

web the orchard book of bible stories by gwen grant orchard books edition hardcover

**the orchard book of bible stories amazon com au** - Dec 06 2022

web books select the department you want to search in search amazon com au en hello sign in account lists returns orders cart all sell

**the orchard book of bible stories 927825 britbooks co uk** - Jun 12 2023

web a stunning collection of three best loved stories from the bible

**the orchard book of bible stories amazon co uk** - Aug 14 2023

web sep 16 2004 a stunning collection of three best loved bible stories the story of creation noah s ark and the story of christmas illustrated by award winning artist jane ray with words adapted from the king james authorised version of the bible

**the orchard book of bible stories by jane ray paperback** - Feb 08 2023

web a stunning collection of three best loved bible stories the story of creation noah s ark and the story of christmas illustrated by award winning artist jane ray with words

the orchard book of bible stories ray jane 9781843624240 - Jan 07 2023

web a stunning collection of three best loved bible stories the story of creation noah s ark and the story of christmas illustrated by award winning artist jane ray with words

discover orchard book of bible stories thebookseekers - May 11 2023

web all about orchard book of bible stories including suggestions for what to read next thebookseekers a stunning collection of three best loved bible stories the story of

**the orchard book of bible stories jane ray 9781843624240** - May 31 2022

web the orchard book of bible stories by jane ray 9781843624240 buy new second hand used books online with free uk delivery at awesomebooks com 30 days refund

**the orchard book of bible stories paperback amazon ca** - Nov 05 2022

web the orchard book of bible stories 9781843624240 books amazon ca skip to main content ca hello select your address books hello sign in account lists returns

**the orchard book of bible stories ray jane amazon in books** - Apr 10 2023

web books select the department you want to search in search amazon in en hello sign in account lists returns orders cart all amazon minitv

**my book of bible stories read online or download free jw org** - Mar 29 2022

web my book of bible stories enjoy 116 stories from the bible they are accurate easy to understand and beautifully illustrated

**the orchard book of bible stories abebooks** - Mar 09 2023

web abebooks com the orchard book of bible stories 9781852133672 by grant gwen and a great selection of similar new used and collectible books available now at great

**the orchard book of bible stories by jane ray paperback** - Sep 03 2022

web the orchard book of bible stories by ray jane used very good paperback condition very good isbn 10 1843624249 isbn 13 9781843624240 seller world of books ltd

the orchard book of bible stories by jane ray paperback - Aug 02 2022

web find many great new used options and get the best deals for the orchard book of bible stories by jane ray paperback 2004 at the best online prices at ebay free delivery

*the orchard book of bible stories uniport edu* - Dec 26 2021

web jun 29 2023 bible stories 1996 the orchard book of bible stories jane ray 2004 09 a stunning collection of three best loved stories from the bible multi faith activity

alphaprints wipe clean workbook abc wipe clean activity - Feb 26 2022

web buy alphaprints wipe clean workbook abc online on amazon eg at best prices fast and free shipping free returns cash on delivery available on eligible purchase

**pdf download read alphaprints wipe clean workbook** - Dec 27 2021

web select the department you want to search in

**alphaprints wipe clean workbook abc wipe** - Aug 15 2023

web jan 3 2017 with 56 pages of activities the alphaprints wipe clean workbook abc will provide hours of early learning alphaprints fun what people are saying write a review

**alphaprints wipe clean workbook abc wipe clean activity** - Jan 08 2023

web jul 30 2023 alphaprints wipe clean workbook abc wipe clean activity books customer reviews customer reviews 4 8 out of 5 3 171 global ratings how customer

*alphaprints wipe clean workbook abc google books* - Jun 13 2023

web jan 3 2017 overview packed with fun effective and practical exercises and with alphaprints characters on every page this big wipe clean book is a great way to help

alphaprints wipe clean workbook abc by roger priddy - Aug 03 2022

web packed with fun effective and practical exercises and with alphaprints characters on every page this big wipe clean book is a great way to help children get ready for

**alphaprints wipe clean workbook abc priddy books** - Nov 06 2022

web alphaprints packed with fun effective and practical exercises and with alphaprints characters on every page this big wipe clean book is a great way to help children get

**alphaprints wipe clean workbook abc wipe clean activity** - Sep 04 2022

web packed with fun effective and practical exercises and with alphaprints characters on every page this big wipe clean book is a great way to help children get ready for

*amazon com customer reviews alphaprints wipe clean* - Oct 05 2022

web alphaprints wipe clean workbook abc roger priddy packed with fun effective and practical exercises and with alphaprints characters on every page this big wipe clean

book alphaprints wipe clean workbook abc youtube - Jan 28 2022

web early reading amazon com alphaprints wipe clean workbook abc wipe alphaprints wipe clean workbook abc packed with fun effective and

**alphaprints wipe clean workbook abc macmillan** - Jul 14 2023

web with 56 pages of activities the alphaprints wipe clean workbook abc will provide hours of early learning alphaprints fun read more reading age 3 6 years print length 56

**alphaprints wipe clean workbook abc db udrive** - Oct 25 2021

*alphaprints wipe clean workbook abc wipe clean activity* - Mar 10 2023

web read reviews and buy alphaprints wipe clean workbook abc wipe clean activity books by roger priddy spiral bound at target choose from same day delivery

**alphaprints wipe clean workbook abc spiral bound** □□□ □□□□□□ - Nov 25 2021

*alphaprints wipe clean workbook abc spiral bound amazon ca* - Feb 09 2023

web packed with fun effective and practical exercises and with alphaprints characters on every page this big wipe clean book is a great way to help children get ready for

*alphaprints wipe clean workbook abc by roger priddy* - Dec 07 2022

web we would like to show you a description here but the site won t allow us

*alphaprints wipe clean workbook abc spiral bound* - Sep 23 2021

**alphaprints wipe clean workbook abc wipe clean activity** - May 12 2023

web alphaprints wipe clean workbook abc wipe clean activity books priddy roger amazon in books

[alphaprints wipe clean workbook abc roger priddy learnamic](#) - Jul 02 2022

web packed with fun effective and practical exercises and with alphaprints characters on every page this big wipe clean book is a great way to help children get ready for kindergarten

[alphaprints wipe clean workbook abc bjs wholesale club](#) - Jun 01 2022

web using the special dry wipe pen included all of the activities on the wipe clean pages can be completed wiped away and repeated for hours of early learning alphaprints fun

[alphaprints wipe clean workbook abc barnes noble](#) - Apr 11 2023

web alphaprints wipe clean workbook abc spiral bound illustrated jan 3 2017 packed with fun effective and practical exercises and with alphaprints characters on every

[alphaprints wipe clean workbook abc educational book](#) - Apr 30 2022

web find the book here amzn to 2yhklmebook alphaprints wipe clean workbook abc roger priddy book descriptionfacebook facebook com

[alphaprints wipe clean workbook abc exchange](#) - Mar 30 2022

web oct 3 2022 turn your pdf publications into a flip book with our unique google optimized e paper software start now alphaprints wipe clean workbook abc wipe