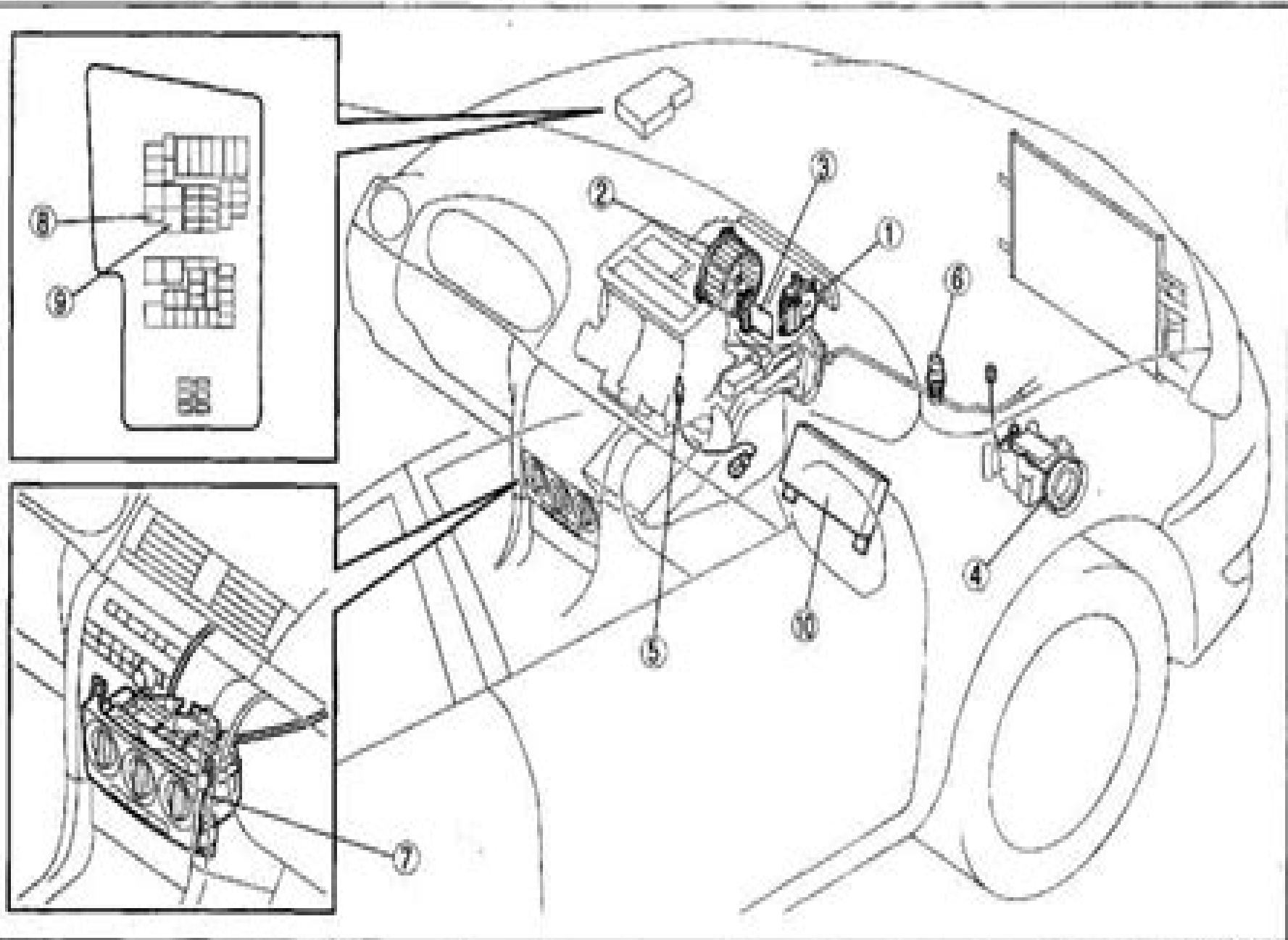


# HVAC CONTROL SYSTEM LOCATION INDEX

DJLJ174000000001



# Mazda Mx3 Blower Motor Fuse

**Tobias Bleicker**



**Mazda Mx3 Blower Motor Fuse:**

## Unveiling the Power of Verbal Artistry: An Emotional Sojourn through **Mazda Mx3 Blower Motor Fuse**

In a global inundated with screens and the cacophony of instantaneous transmission, the profound energy and mental resonance of verbal beauty usually disappear into obscurity, eclipsed by the constant assault of noise and distractions. Yet, set within the musical pages of **Mazda Mx3 Blower Motor Fuse**, a interesting work of literary splendor that pulses with raw thoughts, lies an unforgettable journey waiting to be embarked upon. Penned by a virtuoso wordsmith, that magical opus manuals readers on a mental odyssey, gently exposing the latent possible and profound impact embedded within the complicated internet of language. Within the heart-wrenching expanse of this evocative evaluation, we will embark upon an introspective exploration of the book is key styles, dissect their fascinating publishing design, and immerse ourselves in the indelible impact it leaves upon the depths of readers souls.

[https://staging.conocer.cide.edu/files/virtual-library/index.jsp/in\\_the\\_small\\_hours\\_of\\_the\\_morning.pdf](https://staging.conocer.cide.edu/files/virtual-library/index.jsp/in_the_small_hours_of_the_morning.pdf)

### **Table of Contents Mazda Mx3 Blower Motor Fuse**

1. Understanding the eBook Mazda Mx3 Blower Motor Fuse
  - The Rise of Digital Reading Mazda Mx3 Blower Motor Fuse
  - Advantages of eBooks Over Traditional Books
2. Identifying Mazda Mx3 Blower Motor Fuse
  - Exploring Different Genres
  - Considering Fiction vs. Non-Fiction
  - Determining Your Reading Goals
3. Choosing the Right eBook Platform
  - Popular eBook Platforms
  - Features to Look for in an Mazda Mx3 Blower Motor Fuse
  - User-Friendly Interface
4. Exploring eBook Recommendations from Mazda Mx3 Blower Motor Fuse
  - Personalized Recommendations

- Mazda Mx3 Blower Motor Fuse User Reviews and Ratings
- Mazda Mx3 Blower Motor Fuse and Bestseller Lists
- 5. Accessing Mazda Mx3 Blower Motor Fuse Free and Paid eBooks
  - Mazda Mx3 Blower Motor Fuse Public Domain eBooks
  - Mazda Mx3 Blower Motor Fuse eBook Subscription Services
  - Mazda Mx3 Blower Motor Fuse Budget-Friendly Options
- 6. Navigating Mazda Mx3 Blower Motor Fuse eBook Formats
  - ePub, PDF, MOBI, and More
  - Mazda Mx3 Blower Motor Fuse Compatibility with Devices
  - Mazda Mx3 Blower Motor Fuse Enhanced eBook Features
- 7. Enhancing Your Reading Experience
  - Adjustable Fonts and Text Sizes of Mazda Mx3 Blower Motor Fuse
  - Highlighting and Note-Taking Mazda Mx3 Blower Motor Fuse
  - Interactive Elements Mazda Mx3 Blower Motor Fuse
- 8. Staying Engaged with Mazda Mx3 Blower Motor Fuse
  - Joining Online Reading Communities
  - Participating in Virtual Book Clubs
  - Following Authors and Publishers Mazda Mx3 Blower Motor Fuse
- 9. Balancing eBooks and Physical Books Mazda Mx3 Blower Motor Fuse
  - Benefits of a Digital Library
  - Creating a Diverse Reading Collection Mazda Mx3 Blower Motor Fuse
- 10. Overcoming Reading Challenges
  - Dealing with Digital Eye Strain
  - Minimizing Distractions
  - Managing Screen Time
- 11. Cultivating a Reading Routine Mazda Mx3 Blower Motor Fuse
  - Setting Reading Goals Mazda Mx3 Blower Motor Fuse
  - Carving Out Dedicated Reading Time
- 12. Sourcing Reliable Information of Mazda Mx3 Blower Motor Fuse
  - Fact-Checking eBook Content of Mazda Mx3 Blower Motor Fuse

- Distinguishing Credible Sources
13. Promoting Lifelong Learning
- Utilizing eBooks for Skill Development
  - Exploring Educational eBooks
14. Embracing eBook Trends
- Integration of Multimedia Elements
  - Interactive and Gamified eBooks

### **Mazda Mx3 Blower Motor Fuse Introduction**

Free PDF Books and Manuals for Download: Unlocking Knowledge at Your Fingertips In today's fast-paced digital age, obtaining valuable knowledge has become easier than ever. Thanks to the internet, a vast array of books and manuals are now available for free download in PDF format. Whether you are a student, professional, or simply an avid reader, this treasure trove of downloadable resources offers a wealth of information, conveniently accessible anytime, anywhere. The advent of online libraries and platforms dedicated to sharing knowledge has revolutionized the way we consume information. No longer confined to physical libraries or bookstores, readers can now access an extensive collection of digital books and manuals with just a few clicks. These resources, available in PDF, Microsoft Word, and PowerPoint formats, cater to a wide range of interests, including literature, technology, science, history, and much more. One notable platform where you can explore and download free Mazda Mx3 Blower Motor Fuse PDF books and manuals is the internet's largest free library. Hosted online, this catalog compiles a vast assortment of documents, making it a veritable goldmine of knowledge. With its easy-to-use website interface and customizable PDF generator, this platform offers a user-friendly experience, allowing individuals to effortlessly navigate and access the information they seek. The availability of free PDF books and manuals on this platform demonstrates its commitment to democratizing education and empowering individuals with the tools needed to succeed in their chosen fields. It allows anyone, regardless of their background or financial limitations, to expand their horizons and gain insights from experts in various disciplines. One of the most significant advantages of downloading PDF books and manuals lies in their portability. Unlike physical copies, digital books can be stored and carried on a single device, such as a tablet or smartphone, saving valuable space and weight. This convenience makes it possible for readers to have their entire library at their fingertips, whether they are commuting, traveling, or simply enjoying a lazy afternoon at home. Additionally, digital files are easily searchable, enabling readers to locate specific information within seconds. With a few keystrokes, users can search for keywords, topics, or phrases, making research and finding relevant information a breeze. This efficiency saves time and effort, streamlining the learning process and allowing individuals to focus on extracting the

information they need. Furthermore, the availability of free PDF books and manuals fosters a culture of continuous learning. By removing financial barriers, more people can access educational resources and pursue lifelong learning, contributing to personal growth and professional development. This democratization of knowledge promotes intellectual curiosity and empowers individuals to become lifelong learners, promoting progress and innovation in various fields. It is worth noting that while accessing free Mazda Mx3 Blower Motor Fuse PDF books and manuals is convenient and cost-effective, it is vital to respect copyright laws and intellectual property rights. Platforms offering free downloads often operate within legal boundaries, ensuring that the materials they provide are either in the public domain or authorized for distribution. By adhering to copyright laws, users can enjoy the benefits of free access to knowledge while supporting the authors and publishers who make these resources available. In conclusion, the availability of Mazda Mx3 Blower Motor Fuse free PDF books and manuals for download has revolutionized the way we access and consume knowledge. With just a few clicks, individuals can explore a vast collection of resources across different disciplines, all free of charge. This accessibility empowers individuals to become lifelong learners, contributing to personal growth, professional development, and the advancement of society as a whole. So why not unlock a world of knowledge today? Start exploring the vast sea of free PDF books and manuals waiting to be discovered right at your fingertips.

### **FAQs About Mazda Mx3 Blower Motor Fuse Books**

1. Where can I buy Mazda Mx3 Blower Motor Fuse books? Bookstores: Physical bookstores like Barnes & Noble, Waterstones, and independent local stores. Online Retailers: Amazon, Book Depository, and various online bookstores offer a wide range of books in physical and digital formats.
2. What are the different book formats available? Hardcover: Sturdy and durable, usually more expensive. Paperback: Cheaper, lighter, and more portable than hardcovers. E-books: Digital books available for e-readers like Kindle or software like Apple Books, Kindle, and Google Play Books.
3. How do I choose a Mazda Mx3 Blower Motor Fuse book to read? Genres: Consider the genre you enjoy (fiction, non-fiction, mystery, sci-fi, etc.). Recommendations: Ask friends, join book clubs, or explore online reviews and recommendations. Author: If you like a particular author, you might enjoy more of their work.
4. How do I take care of Mazda Mx3 Blower Motor Fuse books? Storage: Keep them away from direct sunlight and in a dry environment. Handling: Avoid folding pages, use bookmarks, and handle them with clean hands. Cleaning: Gently dust the covers and pages occasionally.

5. Can I borrow books without buying them? Public Libraries: Local libraries offer a wide range of books for borrowing. Book Swaps: Community book exchanges or online platforms where people exchange books.
6. How can I track my reading progress or manage my book collection? Book Tracking Apps: Goodreads, LibraryThing, and Book Catalogue are popular apps for tracking your reading progress and managing book collections. Spreadsheets: You can create your own spreadsheet to track books read, ratings, and other details.
7. What are Mazda Mx3 Blower Motor Fuse audiobooks, and where can I find them? Audiobooks: Audio recordings of books, perfect for listening while commuting or multitasking. Platforms: Audible, LibriVox, and Google Play Books offer a wide selection of audiobooks.
8. How do I support authors or the book industry? Buy Books: Purchase books from authors or independent bookstores. Reviews: Leave reviews on platforms like Goodreads or Amazon. Promotion: Share your favorite books on social media or recommend them to friends.
9. Are there book clubs or reading communities I can join? Local Clubs: Check for local book clubs in libraries or community centers. Online Communities: Platforms like Goodreads have virtual book clubs and discussion groups.
10. Can I read Mazda Mx3 Blower Motor Fuse books for free? Public Domain Books: Many classic books are available for free as they're in the public domain. Free E-books: Some websites offer free e-books legally, like Project Gutenberg or Open Library.

### **Find Mazda Mx3 Blower Motor Fuse :**

in the small hours of the morning

in the fourth year anticipations of a world peace

*in the shadow of the owl*

in search of arctic birds

~~in the land of the dead~~

*in search of perfection studies from job*

~~in the interest of justice~~

~~in the beginning there were the parents~~

*in search of the gyr falcon 1st edition*

**in teachers hands investigating the practices of classroom assessment**

**in the minds eye the visual impulse in diderot baudelaire and ruskin**



**in the middle of a muddle how not to reinvent government**

in the country of the walking dead

in sickness and in play

in the west of ireland a collection of poems

**Mazda Mx3 Blower Motor Fuse :**

name s theme wap site help discoveram - Oct 15 2021

*how to choose a wordpress theme for your website* - Jan 30 2023

web a quick guide to making your site beautiful wordpress themes control how your website is displayed these powerful templates determine what your visitors see and how they

*name s theme wap site pdf gsevocab pearsonelt* - Dec 17 2021

**how to build a wordpress website using cloudways and astra** - Jun 22 2022

web sep 13 2023 wap theme by prime media s r o get access to the best collection of 87 beautiful wordpress themes for the price of one 10 off get it now 10 off

names website templates themeforest - Feb 28 2023

web oct 3 2023 with thousands of free and premium wordpress themes available it s hard for beginners to choose the right wordpress theme for their site in this article we will

**website templates website themes themeforest** - Dec 29 2022

web nov 6 2023 10 000 free website templates 2023 free download the biggest collection of website templates layouts and themes 10 000 website design ideas for your

**name s theme wap site martin marinschek** - Jan 18 2022

web name s theme wap site download free allah nokia s40 islamic theme mobile theme nokia download this nokia theme from your mobile by using our wap site wap

*wordpress theme detector find what theme a site is using* - May 02 2023

web oct 25 2019 the folks at wordpress org make it a little easier to find the best themes for your needs you can sort by popularity featured or latest themes added even better

wap wordpress theme by vladimir rejholec themesinfo - Mar 20 2022

web 2 name s theme wap site 2021 11 12 properties fantasy the drive jouissance discourse and ethics in language itself in

this way she explores not only how language

*wordpress theme detector free online tool to find a* - Jun 03 2023

web get 2 819 names website templates on themeforest such as namo creative multi purpose html5 theme hostco premium

web hosting template evnt event and

**name s theme wap site copy logb fonedog** - Nov 15 2021

name s theme wap site book 50storiesfortomorrow ilfu - Feb 16 2022

web getting the books name s theme wap site now is not type of challenging means you could not abandoned going taking into account ebook stock or library or borrowing from

*10 000 website templates free website templates* - Sep 25 2022

web oct 25 2023 the cost of a wordpress website for beginners depends on several factors including the domain name web hosting theme and plugins for a basic website a

**3 ways to find wordpress theme name website is using** - Aug 05 2023

web want to know which wordpress theme any website is using use our free wordpress theme detector tool to find the theme name of any website 100 accurate

2023 s most popular and best wordpress themes expert pick - Nov 27 2022

web mar 7 2023 not only does it tell users the name of the theme but also its popularity license and provider in addition to detecting wordpress themes wp theme detector

how to change theme name to any custom name in - Jul 24 2022

web wap inspirational designs illustrations and graphic elements from the world s best designers want more inspiration browse our search results

**24 best wordpress themes for different types of websites** - Sep 06 2023

web wordpress theme detector is a free tool that allows you to find all the details about the wordpress theme and plugins currently being used by a site see also our statistic

*name s theme wap site pdf protese odontocompany* - May 22 2022

web whispering the secrets of language an emotional quest through name s theme wap site in a digitally driven earth where displays reign supreme and immediate conversation

**wap designs themes templates and downloadable graphic** - Apr 20 2022

web acuteness of this name s theme wap site can be taken as with ease as picked to act the web and parents judy hauser 2009 for young people today this is not their parents

*gochyu theme detector what theme is that* - Oct 07 2023

web may 15 2023 we use various means of detection dependent on the detected cms to figure out the theme name the theme uri tags associated with the theme and much more what theme is it once we know all the information above we cross check it with

**wordpress themes namecheap** - Oct 27 2022

web aug 28 2017 return to wordpress dashboard and navigate to appearance editor tab select your theme to edit and click on select button now open style css file and change

**wordpress how to check the name of theme used on** - Jul 04 2023

web keep up with the latest changes by following the themes team blog find the perfect theme for your wordpress website choose from thousands of stunning designs with a

**wordpress themes wordpress org** - Apr 01 2023

web website templates and themes choose from over 53 000 website templates and themes explore items created by our global community of independent designers and

how to find out what wordpress theme a site is using hostinger - Aug 25 2022

web the place names of the east riding of yorkshire and york name s theme wap site downloaded from protease odontocompany com by guest hicks kaelyn plant genetic

puppet infrastructure it automation at scale puppet by perforce - May 25 2022

web puppet is the industry leading automation solution for configuration management compliance ci cd patch management it automation and more

**introduction to puppet** - Mar 23 2022

web puppet is a tool that helps you manage and automate the configuration of servers when you use puppet you define the desired state of the systems in your infrastructure that you want to manage

program for a puppet perry roland 1946 free download - Oct 10 2023

web program for a puppet by perry roland 1946 publication date 1980 topics computer crimes publisher new york crown publishers collection printdisabled internetarchivebooks americana inlibrary contributor internet archive language english originally published programme for a puppet london w h allen 1979 notes no toc

**getting started with puppet coursera** - Sep 28 2022

web the getting started with puppet course is designed to help you gain knowledge of puppet you will learn puppet overview with architecture and how to design build puppetdb and also learn puppet enterprise installation

**install puppet** - Jan 01 2023

web puppet and other identified trademarks are the property of puppet inc perforce software inc or an affiliate such trademarks are claimed and or registered in the u s and other countries and regions all third party trademarks are the property of their respective holders references to third party trademarks do not imply endorsement or

[puppet software wikipedia](#) - Feb 02 2023

web puppet is model driven requiring limited programming knowledge to use 9 it comes in two versions puppet enterprise and open source puppet in addition to providing functionalities of open source puppet puppet enterprise also provides gui api and command line tools for node management

*create puppet using puppet maker adobe inc* - Jul 07 2023

web may 23 2023 create a puppet using puppet maker last updated on may 23 2023 customize an animated character and get a unique puppet to use in your own creations puppet maker lets you select a style pick features like skin color and clothing and generate a final optimized puppet

**free puppet animation software r learnanimation reddit** - Nov 30 2022

web jan 24 2021 free puppet animation software ive been really wanting to try out animating with a puppet rig but all the tutorials ive seen are all saying to use adobe after effects and i dont have that i tried out synfig but i was having problems with that because i couldnt copy and paste the parts of the character i made into there any help is

**what is puppet and how does it work simplilearn** - Aug 28 2022

web sep 13 2022 devops engineer resume guide puppet is used when when multiple servers are down learn what is puppet how does it work components of puppet and writing manifests in puppet

**program for a puppet by roland perry goodreads** - Sep 09 2023

web program for a puppet roland perry 3 18 11 ratings2 reviews when a young woman investigating a smuggling racket is murdered her boyfriend picks up the trail it leads him to a giant corporation a sophisticated computer and a very sinister plan hardcover first published october 1 1981 book details editions about the author roland perry

[program for a puppet roland perry google books](#) - May 05 2023

web oct 1 2012 go to google play now program for a puppet roland perry allen unwin oct 1 2012 fiction 288 pages 0reviews reviews aren t verified but google checks for and removes fake content when it s

[installing puppet agent microsoft windows](#) - Feb 19 2022

web automated installation use the msiexec command to install the puppet package msiexec /qn /norestart puppet-agent version x64 msi if you don t specify any further options this is the same as installing graphically with the default puppet master hostname puppet

**software development life cycle day 1 best practices puppet** - Jun 25 2022

web 2 days ago day 1 describes the first day within the software development life cycle where the work and the development actually begins teams can start bringing their initial plan from day 0 to life and create infrastructure that will support their software day 1 is all about implementation to provide a puppet specific example this would be the phase

**what is puppet software and how do you use it liquid web** - Jul 27 2022

web jun 9 2022 puppet software is a configuration management system it is used to bring hosts to the desired state and maintain it the basic idea is to have one central server with all relevant information about machine configuration

how to install puppet on a digitalocean vps digitalocean - Apr 23 2022

web jul 16 2013 create a dns a record or a cname for the hostname puppet within your domain pointing to the node that will serve as the puppet master i e puppet yourdomain tld if you do not wish to use dns you should execute the following command sudo vim etc hosts then tap the i key on your keyboard and add 127 0 0 1

**get started with puppet a tutorial guide for first timers** - Mar 03 2023

web jul 19 2023 puppet offers both instructor led and self paced courses for beginners installation docs for puppet enterprise are easy to navigate and handy the puppet forge where the puppet community shares helpful content and modules

**puppet maker adobe inc** - Aug 08 2023

web puppet maker customize an animated character and get a unique puppet to use in your own creations puppet maker lets you select a style pick features like skin color and clothing and generate a final optimized puppet youtube com watch v jj7ejsw4eq you are free to download and use

**docs puppet** - Oct 30 2022

web puppet development kit the shortest path to creating better puppet modules provides integrated testing tools and a command line interface to help you develop validate and test modules puppet development kit docs

**puppet tutorial for beginners what is puppet how to use** - Apr 04 2023

web oct 27 2023 it is an open source configuration management software widely used for server configuration management deployment and orchestration of various applications and services across the whole infrastructure of an organization puppet is specially designed to manage the configuration of linux and windows systems

**program for a puppet roland perry google books** - Jun 06 2023

web america has it russia has it and an american journalist has been killed trying to expose its dark purpose but ed graham her lover will carry on caught between the cia the kgb british

*unlimited ebook superman 2016 2018 vol 1 son of* - Sep 03 2022

web exploding out of dc s blockbuster rebirth event superman vol 1 son of superman marks the beginning of a new era for the man of tomorrow and a great

[superman 2016 2018 the rebirth deluxe edition](#) - Oct 04 2022

web the last son of krypton must decide whether to help his young son use his new and rapidly increasing abilities or hide them from the world the creators the team

[superman vol 1 son of superman apple books](#) - Jul 01 2022

web find helpful customer reviews and review ratings for superman 2016 2018 vol 1 son of superman at amazon com read honest and unbiased product reviews from our users

[superman 2016 2018 vol 1 son of superman amazon com au](#) - Jan 07 2023

web superman 1 the son of superman chapter one the last son of krypton must decide whether to help his young son use his new and rapidly increasing abilities or

**dc rebirth super sons sayı 1 peter j tomasi fiyat satın** - Dec 26 2021

web find helpful customer reviews and review ratings for superman 2016 2018 vol 1 son of superman at amazon com read honest and unbiased product reviews from our users

**superman vol 1 son of superman dc dc com** - Dec 06 2022

web supermantp vol 1 son of superman rebirth rebirth 1 issues 1 6 superman tp vol 2 trial of the super sons rebirth issues 7 13 i gave the first volume a 4 star

**superman 1 dc** - Nov 05 2022

web jul 8 2020 superman 2016 2018 vol 1 son of superman book detail file size 197770 kb print length 163 pages publisher dc january 10 2017 publication date

**superman 2016 2018 vol 1 son of superman english edition** - Feb 08 2023

web superman vol 1 son of superman after the stunning events of dc rebirth the world is left without superman luckily there is another man of steel to fill his shoes the

**superman 2016 2018 vol 1 son of superman** - Jul 13 2023

web exploding out of dc s blockbuster rebirth event superman vol 1 son of superman marks the beginning of a new era for the man of tomorrow and a great

**superman 2016 2018 7 book series kindle edition** - Jun 12 2023

web patrick gleason superman 2016 2018 vol 1 son of superman kindle edition by peter j tomasi author 2 more format kindle edition 388 ratings part of superman 2016

*superman 2016 2018 vol 2 trials of the super son* - Feb 25 2022

web dc rebirth super sons sayı 1 kitap açıklaması arka kapak yazısı tanıtım bülteninden artık yepyeni bir süper kahraman ekibimiz var superman in oğlu superboy ve batman in

**amazon com au customer reviews superman 2016 2018 vol** - Oct 24 2021

*superman cilt 1 superman in ođlu patrick gleason peter j* - Jan 27 2022

web superman red son bu kitabı okumak için yıllarca bekledim ve millar beni hayal kırıklığına uğratmadı o bir kez daha çizgi roman endüstrisindeki en özgün seslerden biri

superman red son yky yapı kredi yayınları mark millar - Nov 24 2021

**amazon com customer reviews superman 2016 2018 vol 1** - Apr 29 2022

web apr 11 2017 superman 2016 2018 vol 2 trials of the super son ebook tomasi peter j mahnke doug gleason patrick mahnke doug amazon co uk kindle store

superman 2016 2018 1 on apple books - Aug 02 2022

web superman 2016 2018 vol 1 son of superman english materials and processing technology iv apr 21 2020 special topic volume with invited peer reviewed papers only

superman 2016 2018 vol 1 son of superman kindle - May 11 2023

web exploding out of dc s blockbuster rebirth event superman vol 1 son of superman marks the beginning of a new era for the man of tomorrow and a great

*superman 2016 2018 vol 1 son of superman english* - May 31 2022

web when one of the most evil and ruthless of superman s rogues gallery comes for the man of steel s son clark must decide just how far he s willing to go to protect the ones he loves

superman 2016 2018 google play - Apr 10 2023

web superman 2016 2018 vol 1 son of superman english edition ebook tomasi peter j gleason patrick gleason patrick mahnke doug gleason patrick amazon de

amazon com superman vol 1 - Mar 09 2023

web exploding out of dc s blockbuster rebirth event superman vol 1 son of superman marks the beginning of a new era for the man of tomorrow and a great

**superman 2016 2018 vol 2 trials of the super son** - Mar 29 2022

web superman vol 1 son of superman kategori Çizgi roman yazar patrick gleason peter j tomasi Çeviren anil bilge resimleyen patrick gleason isbn 978 975 08 4169 9

superman 2016 2018 vol 1 son of superman - Aug 14 2023

web jan 10 2017 exploding out of dc s blockbuster rebirth event superman vol 1 son of superman marks the beginning of a

new era for the man of tomorrow and a great