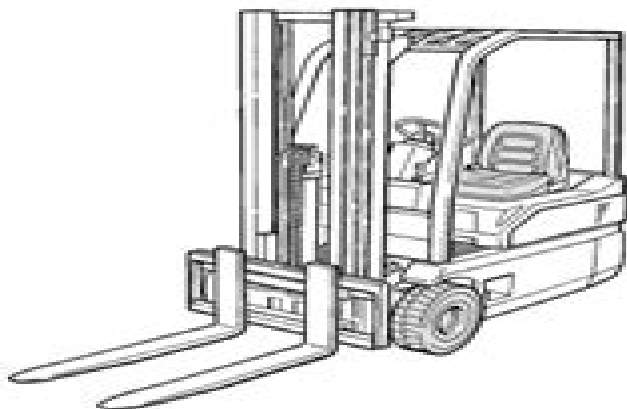


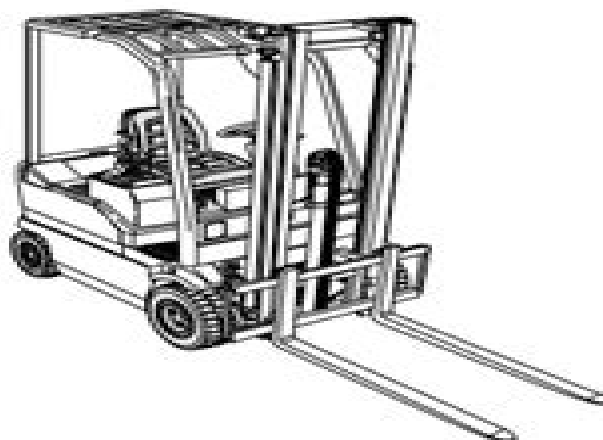
KOMATSU

SHOP MANUAL

Series 4016
FB 12 • 15 • 18
M-2R



Series 4017
FB 15 • 18-2R



60424131 GB

Ver: 03/2002
Rev: 02/2003

Komatsu 25 Operators Manual

Lei Shi



Komatsu 25 Operators Manual:

The book delves into Komatsu 25 Operators Manual. Komatsu 25 Operators Manual is a vital topic that needs to be grasped by everyone, from students and scholars to the general public. The book will furnish comprehensive and in-depth insights into Komatsu 25 Operators Manual, encompassing both the fundamentals and more intricate discussions.

1. This book is structured into several chapters, namely:
 - Chapter 1: Introduction to Komatsu 25 Operators Manual
 - Chapter 2: Essential Elements of Komatsu 25 Operators Manual
 - Chapter 3: Komatsu 25 Operators Manual in Everyday Life
 - Chapter 4: Komatsu 25 Operators Manual in Specific Contexts
 - Chapter 5: Conclusion
2. In chapter 1, the author will provide an overview of Komatsu 25 Operators Manual. This chapter will explore what Komatsu 25 Operators Manual is, why Komatsu 25 Operators Manual is vital, and how to effectively learn about Komatsu 25 Operators Manual.
3. In chapter 2, the author will delve into the foundational concepts of Komatsu 25 Operators Manual. This chapter will elucidate the essential principles that need to be understood to grasp Komatsu 25 Operators Manual in its entirety.
4. In chapter 3, this book will examine the practical applications of Komatsu 25 Operators Manual in daily life. This chapter will showcase real-world examples of how Komatsu 25 Operators Manual can be effectively utilized in everyday scenarios.
5. In chapter 4, the author will scrutinize the relevance of Komatsu 25 Operators Manual in specific contexts. The fourth chapter will explore how Komatsu 25 Operators Manual is applied in specialized fields, such as education, business, and technology.
6. In chapter 5, the author will draw a conclusion about Komatsu 25 Operators Manual. The final chapter will summarize the key points that have been discussed throughout the book.

This book is crafted in an easy-to-understand language and is complemented by engaging illustrations. This book is highly recommended for anyone seeking to gain a comprehensive understanding of Komatsu 25 Operators Manual.

<https://staging.conocer.cide.edu/About/virtual-library/HomePages/ilese%20college%20of%20health%20science%20and%20technology.pdf>

Table of Contents Komatsu 25 Operators Manual

1. Understanding the eBook Komatsu 25 Operators Manual
 - The Rise of Digital Reading Komatsu 25 Operators Manual
 - Advantages of eBooks Over Traditional Books
2. Identifying Komatsu 25 Operators Manual
 - Exploring Different Genres
 - Considering Fiction vs. Non-Fiction
 - Determining Your Reading Goals
3. Choosing the Right eBook Platform
 - Popular eBook Platforms
 - Features to Look for in an Komatsu 25 Operators Manual
 - User-Friendly Interface
4. Exploring eBook Recommendations from Komatsu 25 Operators Manual
 - Personalized Recommendations
 - Komatsu 25 Operators Manual User Reviews and Ratings
 - Komatsu 25 Operators Manual and Bestseller Lists
5. Accessing Komatsu 25 Operators Manual Free and Paid eBooks
 - Komatsu 25 Operators Manual Public Domain eBooks
 - Komatsu 25 Operators Manual eBook Subscription Services
 - Komatsu 25 Operators Manual Budget-Friendly Options
6. Navigating Komatsu 25 Operators Manual eBook Formats
 - ePub, PDF, MOBI, and More
 - Komatsu 25 Operators Manual Compatibility with Devices
 - Komatsu 25 Operators Manual Enhanced eBook Features
7. Enhancing Your Reading Experience
 - Adjustable Fonts and Text Sizes of Komatsu 25 Operators Manual
 - Highlighting and Note-Taking Komatsu 25 Operators Manual
 - Interactive Elements Komatsu 25 Operators Manual
8. Staying Engaged with Komatsu 25 Operators Manual

- Joining Online Reading Communities
 - Participating in Virtual Book Clubs
 - Following Authors and Publishers Komatsu 25 Operators Manual
9. Balancing eBooks and Physical Books Komatsu 25 Operators Manual
- Benefits of a Digital Library
 - Creating a Diverse Reading Collection Komatsu 25 Operators Manual
10. Overcoming Reading Challenges
- Dealing with Digital Eye Strain
 - Minimizing Distractions
 - Managing Screen Time
11. Cultivating a Reading Routine Komatsu 25 Operators Manual
- Setting Reading Goals Komatsu 25 Operators Manual
 - Carving Out Dedicated Reading Time
12. Sourcing Reliable Information of Komatsu 25 Operators Manual
- Fact-Checking eBook Content of Komatsu 25 Operators Manual
 - Distinguishing Credible Sources
13. Promoting Lifelong Learning
- Utilizing eBooks for Skill Development
 - Exploring Educational eBooks
14. Embracing eBook Trends
- Integration of Multimedia Elements
 - Interactive and Gamified eBooks

Komatsu 25 Operators Manual Introduction

Komatsu 25 Operators Manual Offers over 60,000 free eBooks, including many classics that are in the public domain. Open Library: Provides access to over 1 million free eBooks, including classic literature and contemporary works. Komatsu 25 Operators Manual Offers a vast collection of books, some of which are available for free as PDF downloads, particularly older books in the public domain. Komatsu 25 Operators Manual : This website hosts a vast collection of scientific articles, books, and textbooks. While it operates in a legal gray area due to copyright issues, its a popular resource for finding various publications. Internet Archive for Komatsu 25 Operators Manual : Has an extensive collection of digital content, including

books, articles, videos, and more. It has a massive library of free downloadable books. Free-eBooks Komatsu 25 Operators Manual Offers a diverse range of free eBooks across various genres. Komatsu 25 Operators Manual Focuses mainly on educational books, textbooks, and business books. It offers free PDF downloads for educational purposes. Komatsu 25 Operators Manual Provides a large selection of free eBooks in different genres, which are available for download in various formats, including PDF. Finding specific Komatsu 25 Operators Manual, especially related to Komatsu 25 Operators Manual, might be challenging as they're often artistic creations rather than practical blueprints. However, you can explore the following steps to search for or create your own Online Searches: Look for websites, forums, or blogs dedicated to Komatsu 25 Operators Manual, Sometimes enthusiasts share their designs or concepts in PDF format. Books and Magazines Some Komatsu 25 Operators Manual books or magazines might include. Look for these in online stores or libraries. Remember that while Komatsu 25 Operators Manual, sharing copyrighted material without permission is not legal. Always ensure you're either creating your own or obtaining them from legitimate sources that allow sharing and downloading. Library Check if your local library offers eBook lending services. Many libraries have digital catalogs where you can borrow Komatsu 25 Operators Manual eBooks for free, including popular titles. Online Retailers: Websites like Amazon, Google Books, or Apple Books often sell eBooks. Sometimes, authors or publishers offer promotions or free periods for certain books. Authors Website Occasionally, authors provide excerpts or short stories for free on their websites. While this might not be the Komatsu 25 Operators Manual full book, it can give you a taste of the authors writing style. Subscription Services Platforms like Kindle Unlimited or Scribd offer subscription-based access to a wide range of Komatsu 25 Operators Manual eBooks, including some popular titles.

FAQs About Komatsu 25 Operators Manual Books

How do I know which eBook platform is the best for me? Finding the best eBook platform depends on your reading preferences and device compatibility. Research different platforms, read user reviews, and explore their features before making a choice. Are free eBooks of good quality? Yes, many reputable platforms offer high-quality free eBooks, including classics and public domain works. However, make sure to verify the source to ensure the eBook credibility. Can I read eBooks without an eReader? Absolutely! Most eBook platforms offer web-based readers or mobile apps that allow you to read eBooks on your computer, tablet, or smartphone. How do I avoid digital eye strain while reading eBooks? To prevent digital eye strain, take regular breaks, adjust the font size and background color, and ensure proper lighting while reading eBooks. What the advantage of interactive eBooks? Interactive eBooks incorporate multimedia elements, quizzes, and activities, enhancing the reader engagement and providing a more immersive learning experience. Komatsu 25 Operators Manual is

one of the best book in our library for free trial. We provide copy of Komatsu 25 Operators Manual in digital format, so the resources that you find are reliable. There are also many Ebooks of related with Komatsu 25 Operators Manual. Where to download Komatsu 25 Operators Manual online for free? Are you looking for Komatsu 25 Operators Manual PDF? This is definitely going to save you time and cash in something you should think about.

Find Komatsu 25 Operators Manual :

ilese college of health science and technology

ignis quick start guide

illustration essay topics list

igcse maths paper 3h higher 2005

ih 1110 repair manual

igcse maths january 2015 paper

ih case international 585 tractor workshop service shop repair manual instant

igsce core maths paper nov 2014

il bordo vertiginoso delle cose vintage

ils vivent la nuit

igese math paper may june 23

igenetics by peter russell

ilts visual arts sample test 145 teacher

ils resuscitation council mcq paper

igcse maths paper 42 2014 leaks

Komatsu 25 Operators Manual :

study guide for campbell biology 9780321629920 quizlet - Mar 09 2023

web find step by step solutions and answers to study guide for campbell biology 9780321629920 as well as thousands of textbooks so you can move forward with

campbell biology 9th edition solutions studysoup - Nov 05 2022

web by jane b reece lisa a urry michael l cain steven a wasserman peter v minorsky robert b jackson publisher benjamin cummings isbn 9780321558237 we do have

[campbell biology 9th edition coursenotes](#) - Mar 29 2022

web campbell biology 9th edition chapter 2 power points campbell biology 9th edition campbell biology chapter 1 4 outline
campbell biology chapter 2 outline chemistry

campbell biology ap edition 9th edition solutions and - Jul 13 2023

web our resource for campbell biology ap edition includes answers to chapter exercises as well as detailed information to
walk you through the process step by step with expert

[chapter 41 solutions study guide for campbell biology 9th](#) - Jul 01 2022

web access study guide for campbell biology 9th edition chapter 41 solutions now our solutions are written by chegg experts
so you can be assured of the highest quality

[campbell biology concepts and connections 9th edition quizlet](#) - Jan 07 2023

web now with expert verified solutions from campbell biology concepts and connections 9th edition you ll learn how to solve
your toughest homework problems our resource for

campbell biology 9th edition textbook solutions chegg com - Apr 10 2023

web chapter ch1 problem 1cc step by step solution step 1 of 6 the map of some of major biological concepts is shown step 2
of 6 a the prefix bio means life and the suffix

[campbell biology concepts connections 9th edition bartleby](#) - Aug 02 2022

web problem 1cc complete the following map organizing one of biologys major themes problem 2tyk all the organisms on
your campus make up a an ecosystem b a

campbell biology 9th edition solutions and answers quizlet - Aug 14 2023

web now with expert verified solutions from campbell biology 9th edition you ll learn how to solve your toughest homework
problems our resource for campbell biology includes

campbell biology concepts and connections 9th edition taylor - Oct 24 2021

web dec 29 2019 guided reading activities big idea introduction to organic compounds answer the following questions as
you read modules 3 1 3 3 1 is this molecule an

chapter 35 1 solutions study guide for campbell biology 9th - Sep 03 2022

web access study guide for campbell biology 9th edition chapter 35 1 solutions now our solutions are written by chegg
experts so you can be assured of the highest quality

[campbell biology 12th edition solutions and answers quizlet](#) - Sep 22 2021

web campbell biology 12th edition solutions and answers quizlet find step by step solutions and answers to campbell biology
9780135188743 as well as thousands of

[want campbells biology 9th edition reddit](#) - Nov 24 2021

web campbell biology ninth edition chemistry human activity chemical reactivity by mahaffy bucat tasker kotz treichel weaver and mcmurry 2nd edition 2015 and

campbell biology 9th edition textbook solutions chegg com - May 11 2023

web unlike static pdf campbell biology 9th edition solution manuals or printed answer keys our experts show you how to solve each problem step by step no need to wait for office

campbell biology 11th edition solutions and answers quizlet - Feb 25 2022

web our resource for campbell biology includes answers to chapter exercises as well as detailed information to walk you through the process step by step with expert solutions

campbell biology 9th edition solutions by chapter studysoup - Dec 06 2022

web the full step by step solution to problem in campbell biology were answered by our top science solution expert on 12 28 17 08 11pm this expansive textbook survival guide

pearson campbell biology 9th edition for new exam college - May 31 2022

web pearson campbell biology 9th edition for new exam pearson chapters sections essential knowledge required content for the ap course illustrative examples covered

solutions for campbell biology concepts connections 9th - Oct 04 2022

web step by step video answers explanations by expert educators for all campbell biology concepts connections 9th by martha r taylor jean l dickey eric j simon kelly

campbell biology 9780321558145 solutions and answers - Jun 12 2023

web find step by step solutions and answers to campbell biology 9780321558145 as well as thousands of textbooks so you can move forward with confidence

[test bank campbell biology 9th edition all chapters complete](#) - Jan 27 2022

web mar 7 2023 campbell biology 9th contents chapter 1 introduction themes in the study of life 1 chapter 2 the chemical context of life 17 chapter 3 water and the fitness of

campbell biology 9th edition unit 8 book answers quizlet - Apr 29 2022

web this question a would require an elaborate experimental design to answer b would be difficult to answer because a large experimental area would be required c would be

study guide for campbell biology 9th edition textbook - Feb 08 2023

web ch1 problem 1tyu step by step solution step 1 of 5 the whole group of organisms living in a specific ecosystem is known as a community that means interacting group of different

campbell biology 9th edition campbell biology - Dec 26 2021

web 12 march 2023 blog campbell biology 9th edition is a college level textbook on biology that covers a wide range of topics including cellular biology genetics evolution

baby shark official youtube - Dec 27 2021

web meet exclusive baby shark videos that captured the hearts of millions of children around the world subscribe to our channel for hundreds of kids favorite videos including nursery rhymes

baby baby - Jun 13 2023

web yeni babybjörn bliss ana kucağı cotton dark purple 6 449 00 tl babybjörn balance soft ana kucağı light sage grey 6 449 00 tl babybjörn ana kucağı oyuncuğı

baby baby bebek mağazaları - Jun 01 2022

web iban numarası tr11 0006 4000 0017 3070 1001 51 hesap sahibi baby baby bebek mağazaları İç ve dış tic ltd Şti hesap türü Şirket iban numarası tr23 0006 2001 0600 0006 2965 15 hesap sahibi baby baby bebek mağazaları İç ve dış tic ltd Şti hesap türü Şirket

baby vikipedi - Oct 05 2022

web baby netflix için yaratılmış bir İtalyan gençlik dram dizisidir İlk sezon 30 kasım 2018 de yayınlanmıştır dizi roma daki elit bir lisedeki öğrencilerin hayatlarını anlatmaktadır ana karakterler chiara ve ludovica hayatlarına renk katmak ister ve kendilerine ailelerinden ve arkadaşlarından saklı yeraltı dünyasında

bebek arabası fiyatları hepsiburada com - Dec 07 2022

web kraft q77 tek elle kolay katlanır kabin boy pratik bebek arabası 88 4 999 00 tl toplam 24 621 ürün en Çok aranan kelimeler baston bebek arabası oyuncaklar

bebeğim için her şey anne bebek Ürünleri mağazası babymall - Jul 14 2023

web wee baby dijital ateş Ölçer 44 90 tl 36 69 95 tl sepete ekle tommeee tippee naturel pp biberon mavi 260 ml mavi 199 90 tl 38 319 90 tl sepete ekle space jam eşofman takımı leylak 279 90 tl 50 559 99 tl farklı seçenekleri var Ürüne git baby care multiflex mama sandalyesi siyah

wee baby akıllı tercihler mutlu bebekler - Feb 09 2023

web wee baby olarak anne ile bebek arasındaki eşsiz bağın daha da güçlenmesi için uluslararası kalite standartlarındaki ürünlerimizle çözümler sunuyor annelerin gönülleri hep rahat olsun diye ürünlerimizin üretiminde gıdaya temas edebilen bpa içermeyen fda onaylı ham maddeler kullanıyoruz

baby monster vikipedi - Jan 28 2022

web baby monster hangul ████████ yada diğer adıyla baemon yg entertainment tarafından oluşturulan güney koreli kız

grubudur yedi üyeden oluşan grubun 2023 te çıkış yapmıştır

sienna miller reveals her bare baby bump in schiaparelli on the - Feb 26 2022

web 2 days ago for vogue world 2023 sienna miller opted to dress her baby bump in schiaparelli take a closer look at sienna miller s vogue world london 2023 look here

cutest baby family moments funny and cute baby video - Sep 04 2022

web mar 2 2019 did you enjoy the video please subscribe for more check out more fun videos or some of our sister channels
○○○○○ ○○○○ ○○○○ ○○○○○○ bab

aya nakamura baby clip officiel youtube - Jul 02 2022

web jan 12 2023 aya nakamura baby clip officiel nouveau single baby disponible maintenant ayanakamura lnk to babyay
extrait du nouvel album dnk disponible ici ayanakamura lnk

[baby netflix resmi sitesi](#) - Jan 08 2023

web baby 2018 yetişkinlik düzeyi 18 3 sezon dramas roma nın varlıklı kesimlerinden iki genç kız ailelerinden ve okul arkadaşlarından sıkılarak şehrin yeraltı dünyasına kapılır ve çifte hayat yaşamaya başlar başroldekiler benedetta porcaroli alice pagani riccardo mandolini binlerce seçenek sınırsız eğlence

[baby definition meaning merriam webster](#) - Nov 06 2022

web the meaning of baby is an extremely young child especially infant sometimes used of an adult daughter or son to express parental nostalgia or affection how to use baby in a sentence synonym discussion of baby

justin bieber baby ft ludacris youtube - Aug 15 2023

web feb 19 2010 remastered in hd up to 4k official music video for baby performed by justin bieber ft ludacris follow justin
instagram instagram com justinb

baby babycenter - Apr 11 2023

web we can help you solve breastfeeding and baby sleep problems start solid foods handle crying know what your baby s ready for track your baby s development find great childcare and baby activities and more

justin bieber baby lyrics genius lyrics - Mar 30 2022

web jan 18 2010 chorus justin bieber baby baby baby oh like baby baby baby no like baby baby baby oh thought you d always be mine mine baby baby baby oh like baby baby baby no like baby baby

[madison beer baby official music video youtube](#) - Apr 30 2022

web aug 21 2020 madison beer 3 04m subscribers subscribe 643k 33m views 3 years ago madisonbeer baby baby available
at madisonbeer lnk to baby official audio hi4siyrt more more

bebek oyuncakları oyuncak bebek fiyatları 40 İndirim - Mar 10 2023

web baby alive glopixies minik peri bebek aqua flutter 188 280 00 tl sepette 10 indirim barbie ken İle kamp aksesuarları ekose gömlek kot pantolon ve beyaz spor ayakkabılar giyer 3 yaş ve Üzeri hhr66 209 408 00 tl barbie sonsuz hareket bebeği kumral siyah taytlı dji08 1 016

[watch baby netflix official site](#) - Aug 03 2022

web 2018 maturity rating tv ma 3 seasons dramas fed up with their families and classmates two teen girls from a wealthy part of rome are drawn to the city s underworld and start leading double lives starring benedetta porcaroli alice

az baby - May 12 2023

web baby sleep bebek bezi 42 6 xxl 13 20kg yeni 5 üzerinden 0 oy ald

aristophanes knights the comedies of aristophanes aris phillips - Feb 09 2023

web buy aristophanes knights the comedies of aristophanes aris phillips classical texts reprinted with update 1996 reprinted 2015 by aristophanes sommerstein alan h isbn 9780856681783 from amazon s book store everyday low prices and free delivery on eligible orders

knights the comedies of aristophanes 002 by alan h sommerstein - May 12 2023

web knights the comedies of aristophanes 002 by alan h sommerstein roman army in general that 400 other soldiers that had retreated within a house fearing they should be betrayed killed each other to a man

aristophanes knights 002 aris phillips classical t copy - Jun 01 2022

web aristophanes knights 002 aris phillips classical t thank you very much for downloading aristophanes knights 002 aris phillips classical t maybe you have knowledge that people have search hundreds times for their favorite novels like this aristophanes knights 002 aris phillips classical t but end up in malicious

[aristophanes knights 002 aris phillips classical t download only](#) - Mar 10 2023

web aristophanes knights 002 aris phillips classical t symposium nov 01 2022 the symposium is a complex piece which is perhaps as widely read as any of plato s works apart from the republic however the existing standard commentaries in english do not offer much by way of help to

aristophanes knights 002 aris phillips classical t copy - Jan 28 2022

web this volume provides modern uncensored translations of aristophanes acharnians knights and wasps these plays originally a series are the world s earliest political satires and are made available here for the first time in one volume augmented by full introductions and notes

aristophanes knights 002 aris phillips classical t 2022 bianchis - Oct 05 2022

web proclamation aristophanes knights 002 aris phillips classical t that you are looking for it will totally squander the time however below later than you visit this web page it will be thus certainly simple to get as without difficulty as download guide

aristophanes knights 002 aris phillips classical t

aristophanes knights aris phippips classical texts 002 - Aug 15 2023

web aristophanes knights aris phippips classical texts 002 aristophanes amazon com tr kitap

[aristophanes knights 002 aris phillips classical t pdf](#) - Aug 03 2022

web apr 27 2023 aristophanes knights 002 aris phillips classical t 2 5 downloaded from uniport edu ng on april 27 2023 by guest participating in a rivalry with the comedian aristophanes and often used paracomedy to demonstrate the poetic supremacy of tragedy indeed some of euripides most complex uses of paracomedy attempt

aristophanes knights 002 aris phillips classical t pdf - Mar 30 2022

web this books aristophanes knights 002 aris phillips classical t is additionally useful you have remained in right site to begin getting this info acquire the aristophanes knights 002 aris phillips classical t connect that we present here and check out the link you could buy guide aristophanes knights 002 aris phillips classical t or get it as

aristophanes knights 002 aris phillips classical t pdf full pdf - Feb 26 2022

web aristophanes knights 002 aris phillips classical t pdf unveiling the energy of verbal art an mental sojourn through aristophanes knights 002 aris phillips classical t pdf in a world inundated with monitors and the cacophony of immediate interaction the profound energy and mental resonance of verbal artistry frequently disappear in to

the internet classics archive the knights by aristophanes - Apr 11 2023

web to the rescue oh knights now is the time simon panaetius get you to the right wing they are coming on hold tight and return to the charge i can see the dust of their horses hoofs they are galloping to our aid to the sausage seller courage attack him put him to flight the chorus of knights enters at top speed leader of the chorus

aristophanes knights a dual language edition faenum - Nov 06 2022

web th is book presents the greek text of aristophanes knights with a facing english translation th e greek text is that of f w hall and w m geldart 1907 from the oxford classical texts series which is in the public domain and available as a pdf th is text has also been digitized by the perseus project perseus tufts edu

knights classical texts aris phillips classical texts - Jan 08 2023

web synopsis about this title knights was the first play to be produced by aristophanes on his own behalf in it he launched a violent attack on cleon the leading politician of the day on the whole style of leadership that he represented and on a system which seemed to guarantee that a bad leader could be displaced by a worse

knights aristophanes wikisource the free online library - Dec 07 2022

web the knights Ἴππείης hippeis or Ἴππῆς latin equites is an early comedy by aristophanes first produced in 424 bce the play is a satire on the social and political life of classical athens during the peloponnesian war excerpted from the knights on

wikipedia the free encyclopedia

the knights by aristophanes greek mythology - Sep 04 2022

web the knights or the horsemen was first performed at the lenaea of 424 b c where it won the first prize defeating cratinus satyrs and aristomenes porters it was the first comedy that aristophanes produced himself we know this because at one point in the play the chorus explicitly states it revealing that the author of the comedy

descargar aristophanes knights 002 aris phillips classical - Jul 02 2022

web oct 6 2021 aristophanes knights 002 aris phillips classical buy aristophanes knights 002 aris phillips classical texts reprinted with update 1996 reprinted 2015 by alan h sommerstein isbn 9780856681783 from s book store everyday low prices and free delivery on eligible orders

aristophanes knights alan h sommerstein oxford university press - Jun 13 2023

web aris and phillips classical texts in the first play he produced on his own behalf aristophanes launched a violent attack on cleon the leading politician of the day on the whole style of leadership that he represented and on a system which seemed to guarantee that a bad leader could be displaced by a worse

aristophanes knights 002 aris phillips classical t pdf uniport edu - Dec 27 2021

web jul 22 2023 aristophanes knights 002 aris phillips classical t suitably simple the chora of metaponto 7 joseph coleman carter 2018 01 10 the seventh volume in the institute of classical archaeology s series on the rural countryside chora of metaponto is a study of the greek

aristophanes knights 002 aris phillips classical texts - Jul 14 2023

web aristophanes knights 002 aris phillips classical texts at abebooks co uk isbn 10 0856681784 isbn 13 9780856681783 aris phillips ltd 1981 softcover

knights the comedies of aristophanes 002 by alan h - Apr 30 2022

web aristophanes seems to be making autobiog raphical allusions in the parabasis of his acharnians where at 630 631 there is menti on of ac cusa tions against the poet for ins ulting the city 2806 002 edies of aristophanes volume 1 2806 003 edies of aristophanes volume 2 2806 004 euripides volume 1 2806 005 euripides volume 2 2806 006 sophocles 2807