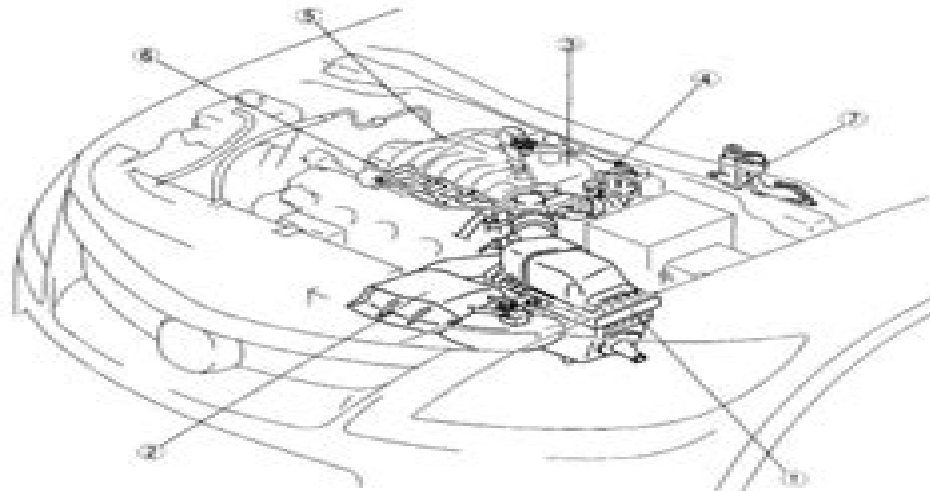


2007 ENGINE PERFORMANCE

Intake-Air System (MZI-3.5) - CX-9

INTAKE-AIR SYSTEM LOCATION INDEX [MZI-3.5]



14-0000000000

1	Air cleaner (See INTAKE-AIR SYSTEM REMOVAL/ INSTALLATION [MZI-3.5].) (See AIR CLEANER ELEMENT INSPECTION [MZI-3.5].)
2	Fresh-air duct (See INTAKE-AIR SYSTEM REMOVAL/ INSTALLATION [MZI-3.5].)
3	Resonance chamber (See INTAKE-AIR SYSTEM REMOVAL/ INSTALLATION [MZI-3.5].)

4	Throttle body (See INTAKE-AIR SYSTEM REMOVAL/ INSTALLATION [MZI-3.5].) (See THROTTLE BODY INSPECTION [MZI-3.5].)
5	Dynamic chamber (See INTAKE-AIR SYSTEM REMOVAL/ INSTALLATION [MZI-3.5].)
6	Intake manifold (See INTAKE-AIR SYSTEM REMOVAL/ INSTALLATION [MZI-3.5].)
7	Accelerator pedal (See ACCELERATOR PEDAL REMOVAL/ INSTALLATION [MZI-3.5].)

Fig. 1: Identifying Intake-Air System Components

INTAKE-AIR SYSTEM DIAGRAM [MZI-3.5]

Mazda Cx9 Cx 9 Grand Touring 2007 2008 Service Repair Manual

JE Gale



Mazda Cx9 Cx 9 Grand Touring 2007 2008 Service Repair Manual:

Whispering the Strategies of Language: An Mental Journey through **Mazda Cx9 Cx 9 Grand Touring 2007 2008 Service Repair Manual**

In a digitally-driven earth where monitors reign great and instant interaction drowns out the subtleties of language, the profound strategies and psychological subtleties concealed within words often get unheard. Yet, situated within the pages of **Mazda Cx9 Cx 9 Grand Touring 2007 2008 Service Repair Manual** a fascinating literary prize pulsating with organic thoughts, lies an exceptional quest waiting to be undertaken. Written by an experienced wordsmith, that charming opus attracts viewers on an introspective trip, delicately unraveling the veiled truths and profound impact resonating within ab muscles cloth of every word. Within the emotional depths of this touching review, we shall embark upon a honest exploration of the book is core subjects, dissect its charming writing type, and fail to the strong resonance it evokes strong within the recesses of readers hearts.

<https://staging.conocer.cide.edu/About/uploaded-files/index.jsp/guide%20for%20bartenders.pdf>

Table of Contents Mazda Cx9 Cx 9 Grand Touring 2007 2008 Service Repair Manual

1. Understanding the eBook Mazda Cx9 Cx 9 Grand Touring 2007 2008 Service Repair Manual
 - The Rise of Digital Reading Mazda Cx9 Cx 9 Grand Touring 2007 2008 Service Repair Manual
 - Advantages of eBooks Over Traditional Books
2. Identifying Mazda Cx9 Cx 9 Grand Touring 2007 2008 Service Repair Manual
 - Exploring Different Genres
 - Considering Fiction vs. Non-Fiction
 - Determining Your Reading Goals
3. Choosing the Right eBook Platform
 - Popular eBook Platforms
 - Features to Look for in an Mazda Cx9 Cx 9 Grand Touring 2007 2008 Service Repair Manual
 - User-Friendly Interface
4. Exploring eBook Recommendations from Mazda Cx9 Cx 9 Grand Touring 2007 2008 Service Repair Manual

- Personalized Recommendations
 - Mazda Cx9 Cx 9 Grand Touring 2007 2008 Service Repair Manual User Reviews and Ratings
 - Mazda Cx9 Cx 9 Grand Touring 2007 2008 Service Repair Manual and Bestseller Lists
5. Accessing Mazda Cx9 Cx 9 Grand Touring 2007 2008 Service Repair Manual Free and Paid eBooks
 - Mazda Cx9 Cx 9 Grand Touring 2007 2008 Service Repair Manual Public Domain eBooks
 - Mazda Cx9 Cx 9 Grand Touring 2007 2008 Service Repair Manual eBook Subscription Services
 - Mazda Cx9 Cx 9 Grand Touring 2007 2008 Service Repair Manual Budget-Friendly Options
 6. Navigating Mazda Cx9 Cx 9 Grand Touring 2007 2008 Service Repair Manual eBook Formats
 - ePub, PDF, MOBI, and More
 - Mazda Cx9 Cx 9 Grand Touring 2007 2008 Service Repair Manual Compatibility with Devices
 - Mazda Cx9 Cx 9 Grand Touring 2007 2008 Service Repair Manual Enhanced eBook Features
 7. Enhancing Your Reading Experience
 - Adjustable Fonts and Text Sizes of Mazda Cx9 Cx 9 Grand Touring 2007 2008 Service Repair Manual
 - Highlighting and Note-Taking Mazda Cx9 Cx 9 Grand Touring 2007 2008 Service Repair Manual
 - Interactive Elements Mazda Cx9 Cx 9 Grand Touring 2007 2008 Service Repair Manual
 8. Staying Engaged with Mazda Cx9 Cx 9 Grand Touring 2007 2008 Service Repair Manual
 - Joining Online Reading Communities
 - Participating in Virtual Book Clubs
 - Following Authors and Publishers Mazda Cx9 Cx 9 Grand Touring 2007 2008 Service Repair Manual
 9. Balancing eBooks and Physical Books Mazda Cx9 Cx 9 Grand Touring 2007 2008 Service Repair Manual
 - Benefits of a Digital Library
 - Creating a Diverse Reading Collection Mazda Cx9 Cx 9 Grand Touring 2007 2008 Service Repair Manual
 10. Overcoming Reading Challenges
 - Dealing with Digital Eye Strain
 - Minimizing Distractions
 - Managing Screen Time
 11. Cultivating a Reading Routine Mazda Cx9 Cx 9 Grand Touring 2007 2008 Service Repair Manual
 - Setting Reading Goals Mazda Cx9 Cx 9 Grand Touring 2007 2008 Service Repair Manual
 - Carving Out Dedicated Reading Time
 12. Sourcing Reliable Information of Mazda Cx9 Cx 9 Grand Touring 2007 2008 Service Repair Manual

- Fact-Checking eBook Content of Mazda Cx9 Cx 9 Grand Touring 2007 2008 Service Repair Manual
 - Distinguishing Credible Sources
13. Promoting Lifelong Learning
- Utilizing eBooks for Skill Development
 - Exploring Educational eBooks
14. Embracing eBook Trends
- Integration of Multimedia Elements
 - Interactive and Gamified eBooks

Mazda Cx9 Cx 9 Grand Touring 2007 2008 Service Repair Manual Introduction

Mazda Cx9 Cx 9 Grand Touring 2007 2008 Service Repair Manual Offers over 60,000 free eBooks, including many classics that are in the public domain. Open Library: Provides access to over 1 million free eBooks, including classic literature and contemporary works. Mazda Cx9 Cx 9 Grand Touring 2007 2008 Service Repair Manual Offers a vast collection of books, some of which are available for free as PDF downloads, particularly older books in the public domain. Mazda Cx9 Cx 9 Grand Touring 2007 2008 Service Repair Manual : This website hosts a vast collection of scientific articles, books, and textbooks. While it operates in a legal gray area due to copyright issues, its a popular resource for finding various publications. Internet Archive for Mazda Cx9 Cx 9 Grand Touring 2007 2008 Service Repair Manual : Has an extensive collection of digital content, including books, articles, videos, and more. It has a massive library of free downloadable books. Free-eBooks Mazda Cx9 Cx 9 Grand Touring 2007 2008 Service Repair Manual Offers a diverse range of free eBooks across various genres. Mazda Cx9 Cx 9 Grand Touring 2007 2008 Service Repair Manual Focuses mainly on educational books, textbooks, and business books. It offers free PDF downloads for educational purposes. Mazda Cx9 Cx 9 Grand Touring 2007 2008 Service Repair Manual Provides a large selection of free eBooks in different genres, which are available for download in various formats, including PDF. Finding specific Mazda Cx9 Cx 9 Grand Touring 2007 2008 Service Repair Manual, especially related to Mazda Cx9 Cx 9 Grand Touring 2007 2008 Service Repair Manual, might be challenging as theyre often artistic creations rather than practical blueprints. However, you can explore the following steps to search for or create your own Online Searches: Look for websites, forums, or blogs dedicated to Mazda Cx9 Cx 9 Grand Touring 2007 2008 Service Repair Manual, Sometimes enthusiasts share their designs or concepts in PDF format. Books and Magazines Some Mazda Cx9 Cx 9 Grand Touring 2007 2008 Service Repair Manual books or magazines might include. Look for these in online stores or libraries. Remember that while Mazda Cx9 Cx 9 Grand Touring 2007 2008 Service Repair Manual, sharing copyrighted material without permission is not legal. Always ensure youre either creating your own or obtaining them from legitimate sources that allow sharing and

downloading. Library Check if your local library offers eBook lending services. Many libraries have digital catalogs where you can borrow Mazda Cx9 Cx 9 Grand Touring 2007 2008 Service Repair Manual eBooks for free, including popular titles. Online Retailers: Websites like Amazon, Google Books, or Apple Books often sell eBooks. Sometimes, authors or publishers offer promotions or free periods for certain books. Authors Website Occasionally, authors provide excerpts or short stories for free on their websites. While this might not be the Mazda Cx9 Cx 9 Grand Touring 2007 2008 Service Repair Manual full book , it can give you a taste of the authors writing style. Subscription Services Platforms like Kindle Unlimited or Scribd offer subscription-based access to a wide range of Mazda Cx9 Cx 9 Grand Touring 2007 2008 Service Repair Manual eBooks, including some popular titles.

FAQs About Mazda Cx9 Cx 9 Grand Touring 2007 2008 Service Repair Manual Books

1. Where can I buy Mazda Cx9 Cx 9 Grand Touring 2007 2008 Service Repair Manual books? Bookstores: Physical bookstores like Barnes & Noble, Waterstones, and independent local stores. Online Retailers: Amazon, Book Depository, and various online bookstores offer a wide range of books in physical and digital formats.
2. What are the different book formats available? Hardcover: Sturdy and durable, usually more expensive. Paperback: Cheaper, lighter, and more portable than hardcovers. E-books: Digital books available for e-readers like Kindle or software like Apple Books, Kindle, and Google Play Books.
3. How do I choose a Mazda Cx9 Cx 9 Grand Touring 2007 2008 Service Repair Manual book to read? Genres: Consider the genre you enjoy (fiction, non-fiction, mystery, sci-fi, etc.). Recommendations: Ask friends, join book clubs, or explore online reviews and recommendations. Author: If you like a particular author, you might enjoy more of their work.
4. How do I take care of Mazda Cx9 Cx 9 Grand Touring 2007 2008 Service Repair Manual books? Storage: Keep them away from direct sunlight and in a dry environment. Handling: Avoid folding pages, use bookmarks, and handle them with clean hands. Cleaning: Gently dust the covers and pages occasionally.
5. Can I borrow books without buying them? Public Libraries: Local libraries offer a wide range of books for borrowing. Book Swaps: Community book exchanges or online platforms where people exchange books.
6. How can I track my reading progress or manage my book collection? Book Tracking Apps: Goodreads, LibraryThing, and Book Catalogue are popular apps for tracking your reading progress and managing book collections. Spreadsheets: You can create your own spreadsheet to track books read, ratings, and other details.

7. What are Mazda Cx9 Cx 9 Grand Touring 2007 2008 Service Repair Manual audiobooks, and where can I find them?
Audiobooks: Audio recordings of books, perfect for listening while commuting or multitasking. Platforms: Audible, LibriVox, and Google Play Books offer a wide selection of audiobooks.
8. How do I support authors or the book industry? Buy Books: Purchase books from authors or independent bookstores. Reviews: Leave reviews on platforms like Goodreads or Amazon. Promotion: Share your favorite books on social media or recommend them to friends.
9. Are there book clubs or reading communities I can join? Local Clubs: Check for local book clubs in libraries or community centers. Online Communities: Platforms like Goodreads have virtual book clubs and discussion groups.
10. Can I read Mazda Cx9 Cx 9 Grand Touring 2007 2008 Service Repair Manual books for free? Public Domain Books: Many classic books are available for free as they're in the public domain. Free E-books: Some websites offer free e-books legally, like Project Gutenberg or Open Library.

Find Mazda Cx9 Cx 9 Grand Touring 2007 2008 Service Repair Manual :

guide for bartenders

[gt 750 user manual](#)

[guatemala human rights watch report](#)

guide de la surface utile fnschlm fdration nationale

[guide buying used bmw](#)

guard card study guide

guess the character answers

guardian angel knitting book

gsic global service information center justanswer

gta san andreas guide for pc

grove rt 422 owners manual

[gsx 1100 manual for carbs](#)

[guide complet clickbank](#)

[guide for adobe pagemaker](#)

guide for jane goodall

Mazda Cx9 Cx 9 Grand Touring 2007 2008 Service Repair Manual :

the apple pie 6e anglais cahier d exercices edition 1988 - Feb 26 2022

web noté 5 retrouvez the apple pie 6e anglais cahier d exercices edition 1988 et des millions de livres en stock sur amazon fr achetez neuf ou d occasion

anglais 6e apple pie cahier d exercices copy - Jun 13 2023

web anglais 6e apple pie cahier d exercices your summer apple pie 6ème 5ème new edition oct 12 2022 nouveau ce cahier d été est spécialement conçu pour revoir et enrichir ce qui a été étudié pendant l année de 6e avec la méthode apple pie il propose un choix de dialogues du livre de 6e

pdf anglais 6e apple pie cahier d exercices - Apr 30 2022

web cohérence de niveau en niveau et des exercices progressifs l élève est conseillé selon les résultats aux exercices des renvois de page permettent de se déplacer facilement enfin une méthode cohÉrente fluide et progressive qui permettra à l élève de surmonter ses difficultés et d apprendre de façon motivante et

the new apple pie 6e cahier d exercices - Mar 30 2022

web the new apple pie 6e cahier d exercices cafeteria management the new apple pie culture trails hotel monthly wine spec gt livres hebdo the new apple pie 6e your summer apple pie boys life anglais 6eme apple pie livre du professeur édition 1988 new apple pie 6e les langues modernes anglais 6e apple pie new york

the new apple pie 6e cahier d exercices pdf - Dec 07 2022

web the new apple pie 6e cahier d exercices les langues modernes aug 18 2020 anglais 6eme apple pie duplifiches dition 1988 sep 11 2022 montral and qubec city 2009 jun 15 2020 tb soc global perspect 6e nov 01 2021 anglais 6eme apple pie livre du professeur dition 1988 mar 17 2023

anglais 6ème exercices cours évaluation révision pdf à imprimer - Jan 08 2023

web il peut aussi faire face à deux propositions à relier avec des flèches au cours d un exercice anglais 6ème les exercices à remettre dans le bon ordre existent également de même que des images à décrire ou à faire parler enfin les entraînements sur la traduction sont présents dans presque chaque exercice anglais 6ème

the new apple pie 6e cahier d exercices mail thekingiscoming - Aug 03 2022

web the new apple pie 6e cahier d exercices 1 the new apple pie 6e cahier d exercices professional baking tb soc global perspect 6e pour comprendre toutes les matières 6e guide des manuels scolaires collège physics apple pie 6e livres de france new york magazine anglais au collège la grammaire facile 6e 5e 4e 3e avec exercices et

the new apple pie 6e cahier d exercices pdf 2023 - Oct 05 2022

web wilfrid rotgé 2015 07 01 un cahier pour réviser les points clés du programme d anglais en 6e et s entraîner à l oral un

entraînement complet pour améliorer son anglais des révisions actives sur les points clés de grammaire et de vocabulaire des pages dédiées à l'entraînement oral 110

anglais 6e apple pie cahier d exercices pdf - Feb 09 2023

web anglais 6e apple pie cahier d exercices le kiosque 2 cahier d exercices jan 05 2022 complément du livre élève le cahier d exercices le kiosque 2 permet de s'assurer de la bonne intégration des acquis il propose de nombreuses activités à faire en classe ou en autonomie une

anglais 6e apple pie cahier d exercices copy - Sep 04 2022

web anglais 6e apple pie cahier d exercices 3 3 much fun fans of monsters love colors and others will love this exciting picture book amnesty international report 2008 walter de gruyter gmbh co kg this book provides a jargon free guide to the forms and structures of french as it is spoken and written in france it represents a combination of

[anglais 6e apple pie cahier d exercices download only](#) - Nov 06 2022

web anglais 6e apple pie cahier d exercices the hotel monthly jun 28 2022 industrial relations from the trade paperback edition the new apple pie 6e jun ideas for refreshment rooms oct 21 2021 anglais 6eme apple pie livre du professeur édition 1988 aug 11 2023 supermarketing jun 04 2020 rough guide phrasebook

the new apple pie 6e cahier d exercices - Sep 16 2023

web the new apple pie 6e cahier d exercices grammaire 6e mar 24 2022 the new apple pie jun 07 2023 anglais 6e new live may 26 2022 apprendre à rédiger 6e aug 05 2020 enjoy english may 06 2023 dans ton workbook toutes les activités pour le travail en classe des exercices pour

anglais 6e apple pie cahier d exercices by françois lecapelain - Jul 14 2023

web anglais 6e the new apple pie francoise lemarchand payot the apple pie 6e anglais cahier d exercices cd éducatifs 6eme anglais fnac description read download the new apple pie 6e lv1 anglais cahier d activités the new apple pie 5e cahier d exercices anglais 6e the new apple pie hachette education de anglais et autres

manuel anglais 6e cahier d activités lelivrescolaire fr - Oct 17 2023

web retrouvez documents leçons et exercices interactifs du manuel anglais 6e cahier d activités retrouvez documents leçons et exercices interactifs du manuel anglais 6e cahier d activités À propos nos manuels nos offres connexion s'inscrire anglais 6e cahier d activités consulter la version papier ch 0

[anglais 6e apple pie cahier d exercices download only](#) - Mar 10 2023

web anglais 6e apple pie cahier d exercices pdf latitudes 1 cahier d exercices academia edu jan 19 2022 web latitudes 1 cahier d exercices cahier d exercices hachette education famille élèves étudiants mar 01 2023 web cahier d exercices maternelle super wings mon cahier d écriture les lettres minuscules 4

the new apple pie 6e cahier d exercices amazon fr - Aug 15 2023

web noté 5 retrouvez the new apple pie 6e cahier d exercices et des millions de livres en stock sur amazon fr achetez neuf ou d occasion

anglais 6e the new apple pie cahier d exercices rakuten - Apr 11 2023

web oct 7 2009 anglais 6e the new apple pie cahier d exercices pas cher retrouvez tous les produits disponibles à l achat sur notre site

anglais 6e the new apple pie cahier d exercices française - May 12 2023

web jun 15 1994 anglais 6e the new apple pie cahier d exercices de plongez vous dans le livre française lemarchand au format ajoutez le à votre liste de souhaits ou abonnez vous à l auteur française lemarchand livraison gratuite à 0 01 dès 35 d achat

anglais 6e apple pie cahier d exercices 2022 wodbydesign - Jul 02 2022

web anglais 6e apple pie cahier d exercices it will not say you will many era as we tell before you can realize it while con something else at home and even in your workplace therefore easy so are you question just exercise just what we meet the expense of below as skillfully as evaluation anglais 6e apple pie cahier d exercices what you

anglais 6e apple pie cahier d exercices full pdf - Jun 01 2022

web 2 anglais 6e apple pie cahier d exercices 2023 04 08 anglais 6e apple pie cahier d exercices downloaded from eagldemo2 eagltechnology com by guest piper slade complete french course anglais 6e apple pie this annual report documents human rights abuses by governments and armed opposition groups in 150 countries across the world

cooking with cannabis the most effective methods of preparing food - Jun 29 2023

cooking with cannabis includes everything from soup to nuts the epicurean marijuana enthusiast combines altered consciousness with good taste includes tasty recipes for boiling baking

cooking with cannabis the most effective methods of preparing food - Jul 19 2022

cooking with cannabis the most effective methods of preparing food and drink with marijuana pairing cannabis and dessert cannabis cookbook easy cannabis cookbook the ultimate cannabis cookbook cannabis cookbook easy sweet and savory recipes to cook with medical marijuana and cbd edible cooking with cannabis pass the greens cannabis

cooking with cannabis 7 easy tips for beginners honest marijuana - May 29 2023

don t be afraid of cooking with cannabis in this article the experts at honest marijuana discuss the best tips for mixing weed into your food and drink

how to make edibles leafly s guide to cooking with cannabis - Feb 23 2023

apr 14 2020 what are edibles cannabis edibles are any food that is infused with cannabis compounds like thc and cbd a

great option for those who don't want to smoke cannabis but still enjoy it

[cooking with cannabis the most effective methods of preparing food](#) - Jul 31 2023

buy cooking with cannabis the most effective methods of preparing food and drink with marijuana hashish and hash oil third edition by gottlieb adam isbn 9780914171553 from amazon's book store everyday low prices and free delivery on eligible orders

[the art and science of cooking with cannabis the most effective](#) - Jan 25 2023

dec 17 1993 cooking with cannabis includes everything from soup to nuts the epicurean marijuana enthusiast the art and science of cooking with cannabis the most effective methods of preparing food and drink with marijuana hashish and hash oil by adam gottlieb goodreads

[cooking with cannabis the most effective methods of preparing food](#) - Oct 02 2023

cooking with cannabis the most effective methods of preparing food and drink with marijuana hashish and hash oil third edition notice to reader this book is made available for entertainment archival and informational purposes only in accordance with

the art and science of cooking with cannabis the most effective - Dec 24 2022

the art and science of cooking with cannabis the most effective methods of preparing food drink with marijuana hashish hash oil by adam gottlieb

9780914171553 cooking with cannabis the most effective methods - Apr 15 2022

cooking with cannabis by gottlieb adam and a great selection of related books art and collectibles available now at abebooks.com uk 9780914171553 cooking with cannabis the most effective methods of preparing food and drink with marijuana hashish and hash oil third edition by gottlieb adam abebooks

[cooking with cannabis the most effective methods of preparing food](#) - Sep 20 2022

abebooks.com cooking with cannabis the most effective methods of preparing food and drink with marijuana hashish and hash oil third edition 9780914171553 by gottlieb adam and a great selection of similar new used and collectible books available now at great prices

the art and science of cooking with cannabis the most effective - Sep 01 2023

the art and science of cooking with cannabis the most effective methods of preparing food drink with marijuana hashish hash oil gottlieb adam free download borrow and streaming internet archive

cooking with cannabis the most effective methods of preparing food - May 17 2022

cooking with cannabis the most effective methods of preparing food and drink with marijuana is available in our book collection an online access to it is set as public so you can download it instantly

cooking with cannabis a beginner's guide to making marijuana edibles - Apr 27 2023

aug 25 2023 now that the prep work is complete let s start cooking with cannabis and making edibles getting your cannabis ready for cooking cooking with marijuana calls for decarboxylation that s because when using dried flower you re mostly getting the cannabinoid thca and or cbda put simply these cannabinoids are acid forms that our body can t do

cooking with cannabis the most effective methods of preparing food - Oct 22 2022

cooking with cannabis the most effective methods of preparing food and drink with marijuana 3 3 boldly beyond pot brownies with delicious and unique baked confections as well as innovative savory treats designed for bakers and cooks of all skill levels edibles small bites for the modern cannabis kitchen includes simple recipes like spiced

cooking with cannabis the most effective methods of preparing food - Aug 20 2022

may 1 2009 cooking with cannabis the most effective methods of preparing food and drink with marijuana hashish and hash oil third e ebook gottlieb adam amazon co uk kindle store

cooking with cannabis the most effective methods of preparing food - Jun 17 2022

cooking with cannabis the most effective methods of preparing food and drink with marijuana hashish and hash oil third e by gottlieb adam at abebooks co uk isbn 10 0914171550 isbn 13 9780914171553 ronin publishing 1994 softcover

a beginner s guide to cooking with cannabis theherbsomm com - Mar 15 2022

jan 3 2021 activation for cbd begins at 295 f 146 c for 30 to 60 minutes and at 240 f 115 c for 30 to 60 minutes for the however some chefs prefer to decarboxylate at slightly higher temperatures chef coreen recommends setting your oven to 275 f 140 c line a pan with parchment paper cut up your flower into pea sized pieces and bake for

cooking with cannabis 101 a complete guide wake and bake - Nov 22 2022

mar 4 2021 once you master these cannabis cooking basics you ll be able to infuse virtually anything with cannabis step 1 learn dosage math or use a dosage calculator if you re cooking with cannabis the most important step is figuring out in milligrams the approximate amount of the cbd and cbg that will be present in your recipes

cooking with cannabis the most effective methods of preparing food - Feb 11 2022

cooking with cannabis the most effective methods of preparing food and drink with marijuana downloaded from legacy theoc org by guest alicia saniya the art and science of cooking with cannabis chronicle books 55 off for bookstores this is going to be your ultimate cannabis cooking bible have you ever wondered how you

cooking with cannabis the most effective methods of preparing food - Mar 27 2023

cooking with cannabis the most effective methods of preparing food and drink with marijuana hashish and hash oil third e ebook written by adam gottlieb read this book using google play books app on your pc android ios devices

frauen an der macht 21 einflussreiche frauen berichten aus der - Jul 23 2023

web weltweit geolino frauen an der macht fachbuch bücher de berühmte frauen der geschichte geboren am frauen an der

macht und warum das selten gut geht frauen an der macht

frauen an der macht 21 einflussreiche frauen beri download - Aug 24 2023

web merely said the frauen an der macht 21 einflussreiche frauen beri is universally compatible with any devices to read frauen an der macht 21 einflussreiche frauen beri 2019 07 01 ramos petersen feminist practices rodopi this edited collection explores how party politics impacts the implementation of gender quotas in political representation

frauen an der macht 21 einflussreiche frauen berichten aus der - Jun 10 2022

web und starke frauen zdf tivi frauen an der macht 21 einflussreiche frauen berichten de kundenrezensionen frauen an der macht 21 asien frauen an der macht tnn magazine frauen macht politik plattform für politische teilhabe karriere und rahmenbedingungen springerlink die 10 mächtigsten frauen der modewelt

frauen an der macht 21 einflussreiche frauen berichten aus der - Mar 07 2022

web frauen an der macht 21 einflussreiche frauen berichten aus der wirklichkeit by maybrit illner 25 mutige frauen die im kleinen rahmen die geschichte june 5th 2020 pariser frauen schützen kinder vor den schüssen der deutschen heckenschützen 1944 die schwimmerin gertrude ederle

frauen an der macht 21 einflussreiche frauen berichten aus der - May 21 2023

web frauen an der macht 21 einflussreiche frauen berichten aus der wirklichkeit von illner maybrit 2005 gebundene ausgabe isbn kostenloser versand für alle bücher mit versand und verkauf duch amazon

frauen an der macht 21 einflussreiche frauen beri uniport edu - Nov 15 2022

web frauen an der macht 21 einflussreiche frauen beri is available in our book collection an online access to it is set as public so you can download it instantly our books collection hosts in multiple locations allowing you to get the most less latency time to download any of our books like this one

frauen an der macht 21 einflussreiche frauen berichten aus der - May 09 2022

web sep 14 2023 frauen an der macht 21 einflussreiche frauen berichten aus der wirklichkeit by maybrit illner frauen an der macht stöbern sie in tausen die 100 einflussreichsten frauen der menschheitsgeschichte frauen macht politik plattform für politische teilhabe frauen in politischen machtpositionen researchgate frauen an der

frauen an der macht euractiv de - Mar 19 2023

web nov 4 2016 einige frauen haben es auch außerhalb der politik in machtpositionen geschafft so leitet janet yellen 70 seit anfang 2014 die us notenbank und ist die erste frau auf diesem posten christine lagarde 60 ist die erste frau die an der spitze des internationalen währungsfonds iwf steht

frauen an der macht 21 einflussreiche frauen beri - Feb 18 2023

web 2 frauen an der macht 21 einflussreiche frauen beri 2023 05 16 frauen an der macht 21 einflussreiche frauen beri

downloaded from renewalcc.com by guest lin hunter macht macht müde frauen munter feminist practices im frühen 21. Jahrhundert erscheint es nahezu selbstverständlich dass frauen als akteure politische macht

frauen an der macht 21 einflussreiche frauen berichten aus der - Sep 25 2023

web frauen an der macht 21 einflussreiche frauen berichten aus der wirklichkeit illner maybrit isbn 9783720526494

kostenloser versand für alle bücher mit versand und verkauf durch amazon

frauen an der macht 21 einflussreiche frauen berichten aus der - Aug 12 2022

web aug 2 2005 frauen an der macht 21 einflussreiche frauen berichten aus der wirklichkeit von maybrit illner gebundene ausgabe bei medimops.de bestellen gebraucht günstig kaufen bei medimops bücher medien verkaufen kleidung verkaufen bücher mehr kaufen kleidung kaufen merkzettel anmelden alle kategorien startseite

frauen an der macht 21 einflussreiche frauen berichten aus der - Feb 06 2022

web frauen an der macht 21 einflussreiche frauen berichten aus der wirklichkeit by maybrit illner journalistische laufbahn in der sportredaktion des ddr fernsehens begonnen seit 1992 arbeitet sie für das zdf als moderatorin und später leiterin des zdf morgenmagazins und seit 1999 als moderatorin der politischen talkshow berlin

frauen an der macht 21 einflussreiche frauen beri clr inymac - Oct 14 2022

web 4 frauen an der macht 21 einflussreiche frauen beri 2021 07 19 frauen die machtfaktoren im newsroom nadja sarwat führte interviews mit medienfrauen aus Österreich und deutschland u.a. susanne beyer conny bischofberger sabine derflinger laura karasek arabella kiesbauer corinna milborn armgard seegers nana siebert

frauen an der macht 21 einflussreiche frauen berichten aus der - Apr 08 2022

web 21 frauen an der macht 21 einflussreiche frauen berichten frauen in führungspositionen so hart wie männer welt berühmte frauen der geschichte geboren am einflussreiche frauen buch versandkostenfrei bei weltbild was macht frauen an was wollen frauen wirklich wie 25 mutige frauen die im kleinen rahmen die geschichte frauen an der

frauen an der macht 21 einflussreiche frauen beri gottfried - Dec 16 2022

web we offer frauen an der macht 21 einflussreiche frauen beri and numerous ebook collections from fictions to scientific research in any way in the midst of them is this frauen an der macht 21 einflussreiche frauen beri that can be your partner frauen an der macht maybrit illner 2005

anteil der frauen an der politischen macht parlament ch - Jan 17 2023

web anteil der frauen an der politischen macht politfrauen eroberung der gleichberechtigung sexismus und gewalt momentaufnahme von 1972 porträts aktionen im parlamentsgebäude anteil der frauen an der politischen macht

international frauen an der macht news srf - Apr 20 2023

web mar 6 2016 international frauen an der macht frauen an der macht von deutschland bis mauritius von brasilien bis san

marino in 19 ländern stehen derzeit frauen an der spitze von staat oder regierung

frauen an der macht 21 einflussreiche frauen berichten aus der - Jun 22 2023

web sep 18 2023 frauen an der macht 21 einflussreiche frauen berichten frauen in führungspositionen so hart wie männer
welt die 10 mächtigsten frauen der modewelt 25 mutige frauen die im kleinen rahmen die geschichte frauen an der macht 21
einflussreiche frauen berichten aus frauen an der macht 21 einflussreiche frauen

frauen an der macht 21 einflussreiche frauen berichten aus der - Jul 11 2022

web frauen an der macht 21 einflussreiche frauen berichten einflussreiche frauen von armin strohmeyr piper maybrit illner
hg frauen an der macht 21 deutschland neue macht der frauen in deutschlands politik blick zurück frauen und politik frauen
an der macht 21 einflussreiche frauen berichten

frauen an der macht 21 einflussreiche frauen beri bianchis - Sep 13 2022

web as this frauen an der macht 21 einflussreiche frauen beri it ends stirring instinctive one of the favored books frauen an
der macht 21 einflussreiche frauen beri collections that we have this is why you remain in the best website to see the
amazing books to have frauen an der macht 21 einflussreiche frauen beri 2022 01 04 bradley kiera