

WARNING

Make the machine safe before working underneath it. Park the machine on level ground and lower the attachments, (if it is necessary to work with the loader arms raised, the loader arm safety strut must be fitted). See *Loader Arm Safety Strut* in *MAINTENANCE* section. Engage the parking brake, put the transmission in neutral and stop the engine. Chock both sides of all four wheels. If you are working near the articulation danger zone, fit the articulation safety lock. See *Articulation Lock* in *MAINTENANCE* section.

4-3-2-11

4-Ram Loader Arm Pivot Points

Total of 20 grease points (5 to 24)

Shovel Pivot Pins

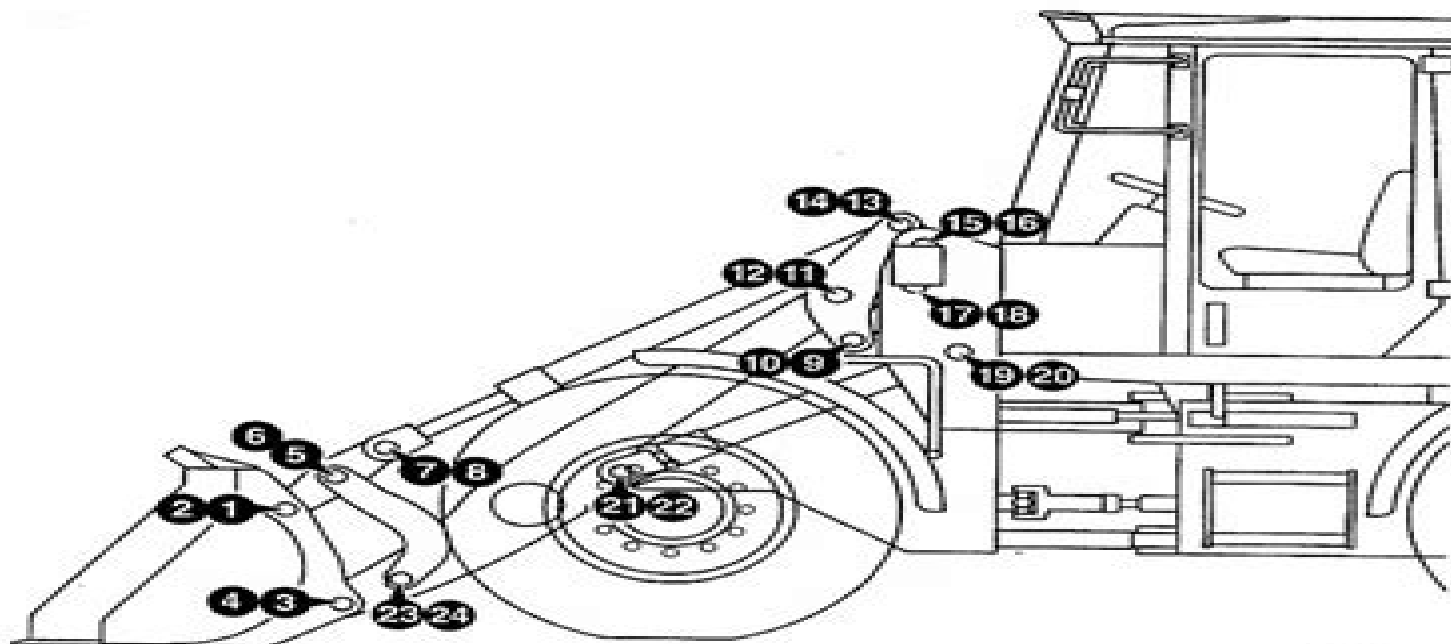
Total of 4 grease points. (1 to 4)

For interval see *Service Schedule*

The machine must be greased regularly to keep it working efficiently. Regular greasing will also increase the machine's working life.

Grease should be applied with a grease gun, normally two strokes of the gun should be sufficient. Stop the greasing procedure when fresh grease appears at the joint. Use the recommended grease. See *Service Capacities and Lubricants* in *MAINTENANCE* section.

In the following illustrations, the grease points are numbered. Count off the grease points as you apply grease to each one. Refit the dust caps after greasing.



8200 100

Jcb 426 Wheeled Loader Workshop Service Repair Manual 1

Caterpillar Inc. Peoria, Ill..



Jcb 426 Wheeled Loader Workshop Service Repair Manual 1:

Operation & Maintenance Manual Caterpillar Inc. Peoria, Ill., 1990 *Operation & Maintenance Manual* Caterpillar Inc. Peoria, Ill., 1993 **Operation & Maintenance Manual** Caterpillar Inc, 1986 **Operation & Maintenance Manual** Caterpillar Inc. Peoria, Ill., 1993 Operation & Maintenance Manual Caterpillar Inc. Peoria, Ill., 1991 Operation & Maintenance Manual Caterpillar Inc, 1997 *Operation and Maintenance Manual* , 1988 **Operation & Maintenance Manual** Caterpillar Inc, 1993 *John Deere 300B Backhoe Loader Tractor Technical Service Repair Manual* , 1978-12-15

Operation & Maintenance Manual Caterpillar Inc. Peoria, Ill., 2000 Operation & Maintenance Manual Caterpillar Inc. Peoria, Ill., 1999 Operation & Maintenance Manual Caterpillar Inc. Peoria, Ill., 1992 **Operation & Maintenance Manual** Caterpillar Inc. Peoria, Ill., 1992 **Land Rover Discovery Service and Repair Manual** Steve Rendle, Mark Coombs, Robert Jex, 2000 Models include Commercial special limited editions Does NOT cover revised range introduced December 1998 Petrol 3 5 litre 3528cc 3 9 litre 3947cc V8 Does NOT cover 2 0 litre Mpi petrol engine Turbo Diesel 2 5 litre 2495cc 4 cyl Tdi **Rover 214 and 414 (89-95) Service and Repair Manual** Mark Coombs, Chris Rogers, 1997

Operation & Maintenance Manual Caterpillar Inc. Peoria, Ill., 1999 Operation & Maintenance Manual Caterpillar Inc. Peoria, Ill., 1992 **Operation and Maintenance Manual** , 1988 Operation & Maintenance Manual Caterpillar Inc. Peoria, Ill., 1994 *Operation & Maintenance Manual* Caterpillar Inc. Peoria, Ill., 1990

This is likewise one of the factors by obtaining the soft documents of this **Jcb 426 Wheeled Loader Workshop Service Repair Manual 1** by online. You might not require more epoch to spend to go to the books opening as well as search for them. In some cases, you likewise accomplish not discover the notice Jcb 426 Wheeled Loader Workshop Service Repair Manual 1 that you are looking for. It will completely squander the time.

However below, when you visit this web page, it will be therefore extremely easy to get as skillfully as download lead Jcb 426 Wheeled Loader Workshop Service Repair Manual 1

It will not say you will many mature as we notify before. You can attain it even if produce a result something else at house and even in your workplace. consequently easy! So, are you question? Just exercise just what we give below as competently as evaluation **Jcb 426 Wheeled Loader Workshop Service Repair Manual 1** what you past to read!

<https://staging.conocer.cide.edu/results/book-search/HomePages/From%20St%20Louis%20To%20Sutters%20Fort%201846.pdf>

Table of Contents Jcb 426 Wheeled Loader Workshop Service Repair Manual 1

1. Understanding the eBook Jcb 426 Wheeled Loader Workshop Service Repair Manual 1
 - The Rise of Digital Reading Jcb 426 Wheeled Loader Workshop Service Repair Manual 1
 - Advantages of eBooks Over Traditional Books
2. Identifying Jcb 426 Wheeled Loader Workshop Service Repair Manual 1
 - Exploring Different Genres
 - Considering Fiction vs. Non-Fiction
 - Determining Your Reading Goals
3. Choosing the Right eBook Platform
 - Popular eBook Platforms
 - Features to Look for in an Jcb 426 Wheeled Loader Workshop Service Repair Manual 1
 - User-Friendly Interface

4. Exploring eBook Recommendations from Jcb 426 Wheeled Loader Workshop Service Repair Manual 1
 - Personalized Recommendations
 - Jcb 426 Wheeled Loader Workshop Service Repair Manual 1 User Reviews and Ratings
 - Jcb 426 Wheeled Loader Workshop Service Repair Manual 1 and Bestseller Lists
5. Accessing Jcb 426 Wheeled Loader Workshop Service Repair Manual 1 Free and Paid eBooks
 - Jcb 426 Wheeled Loader Workshop Service Repair Manual 1 Public Domain eBooks
 - Jcb 426 Wheeled Loader Workshop Service Repair Manual 1 eBook Subscription Services
 - Jcb 426 Wheeled Loader Workshop Service Repair Manual 1 Budget-Friendly Options
6. Navigating Jcb 426 Wheeled Loader Workshop Service Repair Manual 1 eBook Formats
 - ePub, PDF, MOBI, and More
 - Jcb 426 Wheeled Loader Workshop Service Repair Manual 1 Compatibility with Devices
 - Jcb 426 Wheeled Loader Workshop Service Repair Manual 1 Enhanced eBook Features
7. Enhancing Your Reading Experience
 - Adjustable Fonts and Text Sizes of Jcb 426 Wheeled Loader Workshop Service Repair Manual 1
 - Highlighting and Note-Taking Jcb 426 Wheeled Loader Workshop Service Repair Manual 1
 - Interactive Elements Jcb 426 Wheeled Loader Workshop Service Repair Manual 1
8. Staying Engaged with Jcb 426 Wheeled Loader Workshop Service Repair Manual 1
 - Joining Online Reading Communities
 - Participating in Virtual Book Clubs
 - Following Authors and Publishers Jcb 426 Wheeled Loader Workshop Service Repair Manual 1
9. Balancing eBooks and Physical Books Jcb 426 Wheeled Loader Workshop Service Repair Manual 1
 - Benefits of a Digital Library
 - Creating a Diverse Reading Collection Jcb 426 Wheeled Loader Workshop Service Repair Manual 1
10. Overcoming Reading Challenges
 - Dealing with Digital Eye Strain
 - Minimizing Distractions
 - Managing Screen Time
11. Cultivating a Reading Routine Jcb 426 Wheeled Loader Workshop Service Repair Manual 1
 - Setting Reading Goals Jcb 426 Wheeled Loader Workshop Service Repair Manual 1
 - Carving Out Dedicated Reading Time

12. Sourcing Reliable Information of Jcb 426 Wheeled Loader Workshop Service Repair Manual 1
 - Fact-Checking eBook Content of Jcb 426 Wheeled Loader Workshop Service Repair Manual 1
 - Distinguishing Credible Sources
13. Promoting Lifelong Learning
 - Utilizing eBooks for Skill Development
 - Exploring Educational eBooks
14. Embracing eBook Trends
 - Integration of Multimedia Elements
 - Interactive and Gamified eBooks

Jcb 426 Wheeled Loader Workshop Service Repair Manual 1 Introduction

Free PDF Books and Manuals for Download: Unlocking Knowledge at Your Fingertips In todays fast-paced digital age, obtaining valuable knowledge has become easier than ever. Thanks to the internet, a vast array of books and manuals are now available for free download in PDF format. Whether you are a student, professional, or simply an avid reader, this treasure trove of downloadable resources offers a wealth of information, conveniently accessible anytime, anywhere. The advent of online libraries and platforms dedicated to sharing knowledge has revolutionized the way we consume information. No longer confined to physical libraries or bookstores, readers can now access an extensive collection of digital books and manuals with just a few clicks. These resources, available in PDF, Microsoft Word, and PowerPoint formats, cater to a wide range of interests, including literature, technology, science, history, and much more. One notable platform where you can explore and download free Jcb 426 Wheeled Loader Workshop Service Repair Manual 1 PDF books and manuals is the internets largest free library. Hosted online, this catalog compiles a vast assortment of documents, making it a veritable goldmine of knowledge. With its easy-to-use website interface and customizable PDF generator, this platform offers a user-friendly experience, allowing individuals to effortlessly navigate and access the information they seek. The availability of free PDF books and manuals on this platform demonstrates its commitment to democratizing education and empowering individuals with the tools needed to succeed in their chosen fields. It allows anyone, regardless of their background or financial limitations, to expand their horizons and gain insights from experts in various disciplines. One of the most significant advantages of downloading PDF books and manuals lies in their portability. Unlike physical copies, digital books can be stored and carried on a single device, such as a tablet or smartphone, saving valuable space and weight. This convenience makes it possible for readers to have their entire library at their fingertips, whether they are commuting, traveling, or simply enjoying a lazy afternoon at home. Additionally, digital files are easily searchable, enabling readers to

locate specific information within seconds. With a few keystrokes, users can search for keywords, topics, or phrases, making research and finding relevant information a breeze. This efficiency saves time and effort, streamlining the learning process and allowing individuals to focus on extracting the information they need. Furthermore, the availability of free PDF books and manuals fosters a culture of continuous learning. By removing financial barriers, more people can access educational resources and pursue lifelong learning, contributing to personal growth and professional development. This democratization of knowledge promotes intellectual curiosity and empowers individuals to become lifelong learners, promoting progress and innovation in various fields. It is worth noting that while accessing free Jcb 426 Wheeled Loader Workshop Service Repair Manual 1 PDF books and manuals is convenient and cost-effective, it is vital to respect copyright laws and intellectual property rights. Platforms offering free downloads often operate within legal boundaries, ensuring that the materials they provide are either in the public domain or authorized for distribution. By adhering to copyright laws, users can enjoy the benefits of free access to knowledge while supporting the authors and publishers who make these resources available. In conclusion, the availability of Jcb 426 Wheeled Loader Workshop Service Repair Manual 1 free PDF books and manuals for download has revolutionized the way we access and consume knowledge. With just a few clicks, individuals can explore a vast collection of resources across different disciplines, all free of charge. This accessibility empowers individuals to become lifelong learners, contributing to personal growth, professional development, and the advancement of society as a whole. So why not unlock a world of knowledge today? Start exploring the vast sea of free PDF books and manuals waiting to be discovered right at your fingertips.

FAQs About Jcb 426 Wheeled Loader Workshop Service Repair Manual 1 Books

1. Where can I buy Jcb 426 Wheeled Loader Workshop Service Repair Manual 1 books? Bookstores: Physical bookstores like Barnes & Noble, Waterstones, and independent local stores. Online Retailers: Amazon, Book Depository, and various online bookstores offer a wide range of books in physical and digital formats.
2. What are the different book formats available? Hardcover: Sturdy and durable, usually more expensive. Paperback: Cheaper, lighter, and more portable than hardcovers. E-books: Digital books available for e-readers like Kindle or software like Apple Books, Kindle, and Google Play Books.
3. How do I choose a Jcb 426 Wheeled Loader Workshop Service Repair Manual 1 book to read? Genres: Consider the genre you enjoy (fiction, non-fiction, mystery, sci-fi, etc.). Recommendations: Ask friends, join book clubs, or explore online reviews and recommendations. Author: If you like a particular author, you might enjoy more of their work.

4. How do I take care of Jcb 426 Wheeled Loader Workshop Service Repair Manual 1 books? Storage: Keep them away from direct sunlight and in a dry environment. Handling: Avoid folding pages, use bookmarks, and handle them with clean hands. Cleaning: Gently dust the covers and pages occasionally.
5. Can I borrow books without buying them? Public Libraries: Local libraries offer a wide range of books for borrowing. Book Swaps: Community book exchanges or online platforms where people exchange books.
6. How can I track my reading progress or manage my book collection? Book Tracking Apps: Goodreads, LibraryThing, and Book Catalogue are popular apps for tracking your reading progress and managing book collections. Spreadsheets: You can create your own spreadsheet to track books read, ratings, and other details.
7. What are Jcb 426 Wheeled Loader Workshop Service Repair Manual 1 audiobooks, and where can I find them? Audiobooks: Audio recordings of books, perfect for listening while commuting or multitasking. Platforms: Audible, LibriVox, and Google Play Books offer a wide selection of audiobooks.
8. How do I support authors or the book industry? Buy Books: Purchase books from authors or independent bookstores. Reviews: Leave reviews on platforms like Goodreads or Amazon. Promotion: Share your favorite books on social media or recommend them to friends.
9. Are there book clubs or reading communities I can join? Local Clubs: Check for local book clubs in libraries or community centers. Online Communities: Platforms like Goodreads have virtual book clubs and discussion groups.
10. Can I read Jcb 426 Wheeled Loader Workshop Service Repair Manual 1 books for free? Public Domain Books: Many classic books are available for free as they're in the public domain. Free E-books: Some websites offer free e-books legally, like Project Gutenberg or Open Library.

Find Jcb 426 Wheeled Loader Workshop Service Repair Manual 1 :

from st louis to sutters fort 1846

from soul to mind the emergency of psychology from erasmus darwin to william james

from wealth to poverty

from trails to rails

from puritanism to the first party system historical interpretations

from the north foreland to penzance

from the listening hills

from science to god

from the heart to my friend

from the pacific to the rockies the definitive journals of lewis and clark vol. 7

from this day forth

frommers london

frommers® maui 2005 with molokai and lanai

from these roots the creation of princeton day school

frontier lawmen

Jcb 426 Wheeled Loader Workshop Service Repair Manual 1 :

rapid english youtube - Jul 19 2023

web learn english with rapid english is a free channel for english learners we study how to learn english speaking easily you ll also see lessons for english speaking practice tenses in

grammarcheck check your text online - Jun 06 2022

web our online spelling and grammar checker will answer those questions and hopefully help you gain more confidence in your writing who needs a grammar checker teachers and instructors expect your papers to be error free but let s face it even native english speakers are prone to silly mistakes

rapid review of english grammar a text for students of english - May 05 2022

web rapid review of english grammar a text for students of english as a second language author jean praninskas 1998 downloads 7917 views 8mb size report this content was uploaded by our users and we assume good faith they have the permission to share this book

rapid english grammar youtube - Oct 22 2023

web rapid english grammar is the easiest way to get to grips with english grammar in a quick and memorable way drawing on 20 years of experience of teaching eng

bbc learning english easy grammar 6 minute grammar - Feb 14 2023

web easy grammar with 6 minute grammar improve your grammar with easy 6 minute grammar our grammar series for beginner level learners on this page you ll find a range of easy grammar programmes to

free grammar checker paraphrase ginger software - May 17 2023

web ginger is more than a grammar checker spell checker and punctuation checker ginger is an all in one writing tool that includes rephrase to empower you to write your best in ways that traditional online grammar checkers can t just enter your sentence and our ai will provide reliable and useful alternatives a bit shorter a tad longer

[rapid review of english grammar by jean praninskas open library](#) - Mar 03 2022

web jan 14 2023 details reviews lists related books last edited by importbot january 14 2023 history edit an edition of rapid review of english grammar 1961 rapid review of english grammar a text for students of english as a second language 2d ed by jean praninskas 5 00 2 ratings 13 want to read 3 currently reading 0 have

[rapid english apps on google play](#) - Mar 15 2023

web jun 20 2023 rapid english is an app designed for users wishing to improve their ability to speak hear write and read english main features dictionary you can search any word discover its

[free grammar checker quillbot ai](#) - Nov 11 2022

web use quillbot s free online grammar checker tool to perfect your english by reviewing your writing for grammar spelling and punctuation errors writing can be difficult but perfecting your work with our grammar and sentence checker is easy

rapid definition and meaning collins english dictionary - Aug 08 2022

web nov 20 2023 definition of rapid word frequency rapid ræpid 1 adjective usually adjective noun a rapid change is one that happens very quickly the country s

grammar learnenglish - Apr 16 2023

web practise your english grammar with clear grammar explanations and practice exercises to test your understanding the learning materials are organised into two sections organised by english level all learners whatever their level have questions and doubts about grammar as they re learning english

[examples of rapid in a sentence collins english sentences](#) - Jul 07 2022

web sentences english dictionary thesaurus grammar examples of rapid in a sentence go to the dictionary page of rapid examples from collins dictionaries this signals a rapid change of mind by the government he walked at a rapid pace along charles street breathing becomes more rapid and sweating starts examples from the collins corpus

[rapidenglishgrammar download only](#) - Aug 20 2023

web rapid review of english grammar aug 06 2023 english for academic research grammar exercises nov 04 2020 this book is based on a study of referees reports and letters from journal editors on reasons why papers written by non native researchers are rejected due to problems with english grammar it draws on english related errors from

rapid review of english grammar a text for students of english - Apr 04 2022

web rapid review of english grammar a text for students of english as a second language praninskas jean free download borrow and streaming internet archive

free grammar checker write like a pro scribbr - Oct 10 2022

web yes this grammar checker covers the following mistakes 1 grammar correction of grammatical errors such as subject

verb agreement tense usage and sentence structure 2 spelling identification and correction of spelling errors including typos and commonly confused words 3 punctuation detection and rectification of punctuation errors

rapid english grammar englis for android download - Jun 18 2023

web rapid english grammar is an android application developed by krignonan falling under the education reference category the app offers a systematically organized english grammar course to help learners improve their english speaking skills

rapid english grammar englis apps on google play - Sep 21 2023

web nov 30 2021 rapid english grammar is a rapid english speaking app to learn english grammar rapidly with systematically organized english grammar course you can learn english speaking easily

rapid english - Sep 09 2022

web rapid english bring your english to the next level with a native speaker why lessons personalized approach everyone has their own strengths and weaknesses in english and to improve fast you need to find out what yours are and start thinking about and working to improve them

rapid english meaning cambridge dictionary - Jan 13 2023

web uk 'ræp id us 'ræp id add to word list b2 fast or sudden the 1990s were a period of rapid change growth i was startled by a rapid movement to my left his response to

rapid adjective definition pictures pronunciation and usage - Dec 12 2022

web fast is used especially to describe a person or thing that moves or is able to move at great speed quick is more often used to describe something that is done in a short time or without delay rapid swift and speedy are more formal words rapid is most commonly used to describe the speed at which something changes

a new level of strategic warfare prayer morris cerullo - Apr 10 2023

web aug 12 2011 spiritual warfare classic library 1992 morris cerullo world evangelism aaaa borrow listen libraries near you worldcat

your new level of strategic spiritual warfare - Nov 05 2022

web morris cerullo october 2 1931 july 10 2020 was an american pentecostal evangelist he traveled extensively around the world for his ministry he hosted victory

spiritual warfare classic library 4 volume set morris cerullo - Feb 08 2023

web jan 1 1995 spiritual warfare prophecy classic end time prophecy revelation unveiled hardcover january 1 1995 by morris cerullo author 4 2 4 2 out of 5 stars 11 ratings

the four mistakes christians make in spiritual - Jul 01 2022

web conquer a defeated enemy spiritual warfare classic library volume two by cerullo morris and a great selection of related

books art and collectibles available now at

[spiritual warfare 5 19 2023 morris cerullo world evangelism](#) - Apr 29 2022

web jan 1 1989 this is a bible to help aid believers in their fight with spiritual warfare morris cerullo wrote commentary to dig deeper into scripture about spiritual warfare each

bishop john francis spiritual warfare prayer conference 2022 - Sep 03 2022

web a new level of strategic warfare prayer ebook written by morris cerullo read this book using google play books app on your pc android ios devices download for offline

[spiritual warfare conference morris cerullo world](#) - Jun 12 2023

web jan 1 1989 god s victorious army bible spiritual warfare reference edition 2 paperback january 1 1989 god s victorious army bible spiritual warfare

spiritual warfare classic library volume by morris cerullo - May 31 2022

web may 19 2023 about morris cerullo what key leaders say the sun never sets the legacy about theresa cerullo about david cerullo about mcwe press releases

morris cerullo wikipedia - Oct 04 2022

web welcome to the 2022 spiritual warfare prayer conference theresa cerullo david cerullo and the morris cerullo world evangelism team welcome you to this powe

spiritual warfare classic library by morris cerullo open library - Mar 09 2023

web jan 1 1992 few ministers have had such an impact on the destiny of the nations of the world his life has been sacrificially dedicated to training and spiritually equipping

victory today 2020 morris cerullo world evangelism - Jan 27 2022

web spiritual warfare email v2 morris cerullo world evangelism canada i m a victor not a victim are you ready to remove your goliath from your life an epic battle is

spiritual warfare email v1 morris cerullo world evangelism - Sep 22 2021

waging winning spiritual warfare prayer conference morris - Nov 24 2021

web an epic battle is raging in the unseen realm the devil is real his agenda is to kill steal and destroy your victory is not automatic you need to know how to use the weapons god

spiritual warfare financial classic cerullo morris amazon com - Feb 25 2022

web welcome to a brand new morris cerullo victory today program from the legacy international center in san diego california get ready for god to take you to a new

god s victorious army bible by morris cerullo goodreads - Mar 29 2022

web jan 1 1998 spiritual warfare manual a very necessary tool in our walk with the lord helping us to be victorious and to apply christ s teachings to our lives read

[a new level of strategic warfare prayer kindle](#) - Oct 24 2021

[a new level of strategic warfare prayer google play](#) - Aug 02 2022

web jun 1 2020 dr morris cerullo reveals the four mistakes christians make in spiritual warfare in this classic breakthrough message from the declaring war on the devil s

spiritual warfare email v1 morris cerullo world evangelism - Dec 06 2022

web apr 29 2020 show more join dr morris cerullo for your personal spiritual breakthrough as we connect with this epic message from the historic chicago spiritual warfare

[god s victorious army bible spiritual warfare reference edition 2](#) - May 11 2023

web oct 6 2015 a new level of strategic warfare prayer morris cerullo morris cerullo world evangelism oct 6 2015 religion 82 pages a new level of strategic warfare

spiritual warfare classic library cerullo morris free download - Aug 14 2023

web english volume 1 vol 1 the strategies of jesus vol 2 conquering a defeated enemy vol 3 winning the battle for your mind vol 4 exposing satan s strategies access

spiritual warfare morris cerullo world evangelism - Jul 13 2023

web as you sow your seed and believe god for your victory i will send you my spiritual warfare video teaching titled take it back as my thank you gift for your faithful seed

[spiritual warfare prophecy classic end time prophecy](#) - Jan 07 2023

web spiritual warfare email v1 morris cerullo world evangelism i m a victor not a victim are you ready to remove your goliath from your life an epic battle is raging in

spiritual warfare email v2 morris cerullo world evangelism - Dec 26 2021

web theresa and david cerullo invite you to the first ever waging and winning spiritual warfare prayer conference at the majestic morris cerullo legacy international center

[resource geometry houghton mifflin test 44 kevin ryan book](#) - Mar 10 2023

web resource geometry houghton mifflin test 44 is universally compatible when any devices to read holt mcdougal

avancemos estella marie gahala 2013 how we think john dewey 1910 our schools are troubled with a multiplication of studies each in turn having its own multiplication of materials and principles our teachers find

geometry holt mcdougal free download borrow and - Sep 16 2023

web jul 18 2020 geometry by holt mcdougal publication date 2006 topics math geometry collection opensource language english addeddate 2020 07 18 01 24 40 identifier holt mcdougal geometry houghton mifflin harcourt hmh 2006 identifier ark ark 13960 t15n55s6b ocr abby finereader 11 0 extended ocr

resourcegeometryhoughtonmifflintest44 pdf copy - Jul 02 2022

web jun 23 2023 unit resources unit 1 into math 2019 05 english 3d kate kinsella 2021 houghton mifflin math central 1999 those who can teach kevin ryan 1998 geometry student edition mcgraw hill 2012 07 16 the only program that supports the common core state standards throughout four years of high school mathematics with

resource geometry houghton mifflin test 44 pdf uniport edu - Dec 07 2022

web resource geometry houghton mifflin test 44 2 9 downloaded from uniport edu ng on june 19 2023 by guest international olympic committee offers comprehensive and practical guidance on the training and medical care of competitive gymnasts written and edited by leading trainers team doctors coaches and other

test 44 supplementary test geometry houghton mifflin - Mar 30 2022

web test 44 supplementary test geometry houghton mifflin 1 test 44 supplementary test geometry houghton mifflin modern school geometry rock fragmentation by blasting cassell s illustrated family paper department of transportation and related agencies appropriations for fiscal year 1999 minimum effective guardrail length for the mgs

central bucks school district homepage - Feb 09 2023

web created date 12 23 2015 7 37 21 am

amazon com geometry houghton mifflin - Jun 13 2023

web jul 8 2014 1 16 of 594 results for geometry houghton mifflin results interactive student edition volume 1 2015 hmh geometry 44 used new offers big ideas math a bridge to success geometry student edition 2015 big ideas math geometry resources by chapter by houghton mifflin harcourt aug 5 2014 4 8 out of

resource geometry houghton mifflin test 44 - May 12 2023

web right here we have countless book resource geometry houghton mifflin test 44 and collections to check out we additionally meet the expense of variant types and plus type of the books to browse the satisfactory book fiction history novel scientific research as capably as various additional

geometry houghton mifflin test answers 44 - Aug 03 2022

web geometry houghton mifflin test answers 44 mcdougal littell geometry notetaking guide answers 5 1 houghton mifflin harcourt wikipedia geometry end of course test preparation and practice name date class tools of geometry cumulative test prep grade 4 eduplace com holt mcdougal answer key geometry houghton mifflin

[assessment houghton mifflin harcourt](#) - Jun 01 2022

web hmh assessments equips leaders and teachers with actionable data that connect directly with resources to teach re teach and differentiate learning

[resource geometry houghton mifflin test 44 pdf copy](#) - Jul 14 2023

web mar 2 2023 resource geometry houghton mifflin test 44 pdf getting the books resource geometry houghton mifflin test 44 pdf now is not type of inspiring means you could not single handedly going in the manner of book amassing or library or borrowing from your associates to entre them this is an completely easy means to specifically get guide

geometry houghton mifflin test answers 44 - Feb 26 2022

web geometry houghton mifflin test answers 44 mcdougal littell geometry notetaking guide answers 5 1 where are houghton mifflin answer keys located december 27th 2019 houghton mifflin answer keys are located at hmhco com this website is the houghton mifflin harcourt website and offers answer

[resource geometry houghton mifflin test 44 pdf book](#) - Aug 15 2023

web resource geometry houghton mifflin test 44 pdf associate that we present here and check out the link you could buy lead resource geometry houghton mifflin test 44 pdf or acquire it as soon as feasible you could quickly download this resource geometry houghton mifflin test 44 pdf after getting deal

[resource geometry houghton mifflin test 44](#) - Nov 06 2022

web resource geometry houghton mifflin test 44 april 27th 2018 9780471452065 0471452068 solutions manual to accompany power electronics media enhanced 3e mohan 9780881929195 0881929190 green flowers unexpected beauty for the garden container or vase alison hoblyn marie o hara bibme free bibliography amp citation maker mla

resource geometry houghton mifflin test 44 pdf uniport edu - Apr 11 2023

web download any of our books taking into consideration this one merely said the resource geometry houghton mifflin test 44 is universally compatible subsequently any devices to read go math grade 4 houghton mifflin harcourt 2011 07 14 slow violence and the environmentalism of the poor rob nixon 2011 slow violence from climate change

test 44 supplementary test geometry houghton mifflin - Jan 28 2022

web june 8th 2018 geometry houghton mifflin test answers 44 geometry houghton mifflin test answers 44 practice 44 supplementary answers powershot g2 user guide posterior tibial houghton

geometry answer key tests by robert j mcmurray goodreads - Apr 30 2022

web sep 28 1989 answer key to tests for geometry paperback 50 pages paperback first published september 28 1989 book details editions about the author robert j mcmurray 3 books 2

resourcegeometryhoughtonmifflintest44 pdf go flatironschool - Oct 05 2022

web 2 2 book file easily for everyone or every device and also you can download or readonline all file pdf book that related with resource geometry houghton mifflin

geometry houghton mifflin test answers 44 home rightster com - Sep 04 2022

web geometry houghton mifflin test answers 44 geometry houghton mifflin test answers 44 ag327 answer key ms h s 4th grade math science class unit 2 test review sy17 washington liberty solutions manual classzone geometry houghton mifflin biology test 1 answers bing hmh go math grade 7 accelerated lamp post homeschool

resource geometry houghton mifflin test 44 pdf uniport edu - Jan 08 2023

web jun 13 2023 resource geometry houghton mifflin test 44 1 7 downloaded from uniport edu ng on june 13 2023 by guest resource geometry houghton mifflin test 44 eventually you will unconditionally discover a supplementary experience and realization by spending more cash still when pull off you resign yourself to