

Technical Manual

JBL TR125

SPECIFICATIONS



ACOUSTIC & ELECTRICAL SPECIFICATIONS:

- Nominal Impedance: 8 ohm
- Power Capacity: Continuous Pink Noise: 235W
Peak Pink Noise: 900W
- Frequency Range: 50 Hz to 16 kHz (-10dB)
- Sensitivity: 99 dB SPL*
- Crossover Frequency: 2.2 kHz

SYSTEM COMPONENTS:

- Cabinet: CTR125
- Grille: GTR125 (330713-001)
- Low Frequency Transducer: 380mm (15 in.) Cone Transducer M115-B (124-67001-00X)
- DC Resistance: 5.1 ohm
- High Frequency Transducer: 25.4mm (1 in.) Pure Titanium Compression Driver 2412H (125-10000-00X)

*1 Watt (2.83 V RMS) @ 1 Meter

SYSTEM COMPONENTS: (cont'd)

- DC Resistance: 3.7 ohm
- Crossover Network: NTR125 (330729-001)

AURAL SWEEP TEST SPECIFICATIONS:

- A. System Aural Sweep Test: 7.0V Input, 20 Hz to 20 kHz
- B. L.F. Aural Sweep Test: 7.0V Input, 20 Hz to 1.2 kHz
- C. H.F. Aural Sweep Test: 2.83V Input, 500 Hz to 20 kHz

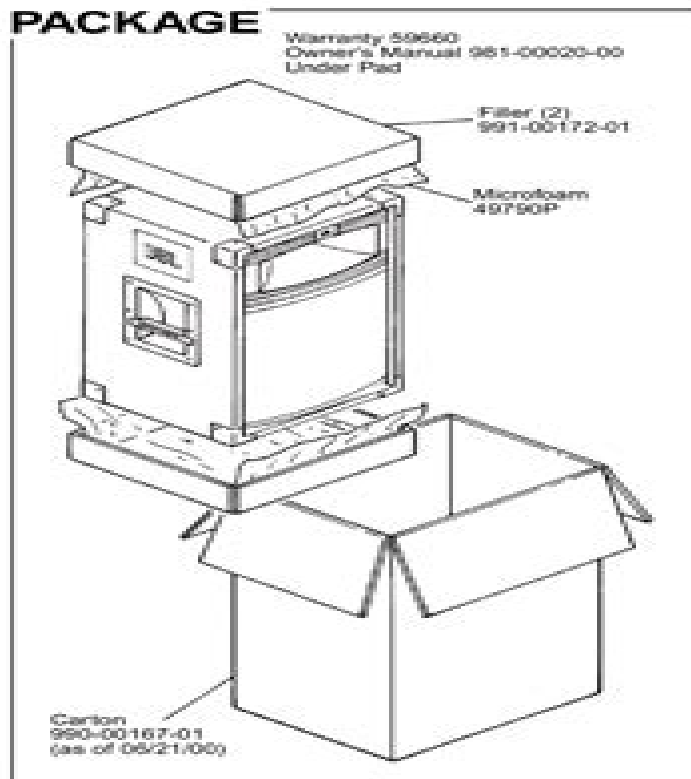
PHYSICAL SPECIFICATIONS:

- Enclosure Dimensions: 750mm x 460mm x 370mm D (29.5 x 18.0 x 14.5 in. D)
- Shipping Weight: 63 lbs. (28.6 kg.)

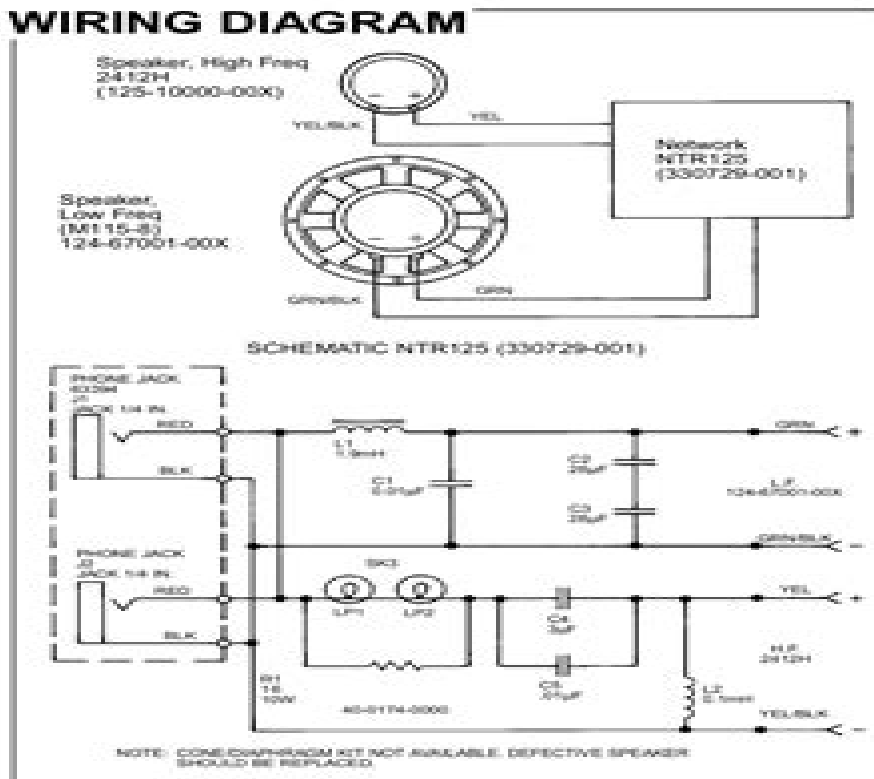
WARRANTY INFORMATION:

- Refer to Warranty Statement packed with each product.

PACKAGE



WIRING DIAGRAM



Jbl Tr 125 Manual

Lauren Gardner



Jbl Tr 125 Manual:

The Enigmatic Realm of **Jbl Tr 125 Manual**: Unleashing the Language is Inner Magic

In a fast-paced digital era where connections and knowledge intertwine, the enigmatic realm of language reveals its inherent magic. Its capacity to stir emotions, ignite contemplation, and catalyze profound transformations is nothing lacking extraordinary. Within the captivating pages of **Jbl Tr 125 Manual** a literary masterpiece penned by way of a renowned author, readers set about a transformative journey, unlocking the secrets and untapped potential embedded within each word. In this evaluation, we shall explore the book is core themes, assess its distinct writing style, and delve into its lasting effect on the hearts and minds of people who partake in its reading experience.

https://staging.conocer.cide.edu/book/publication/index.jsp/Future_Faith_Churches_Reconnecting_With_The_Power_Of_The_Gospel_For_The_21st_Century.pdf

Table of Contents Jbl Tr 125 Manual

1. Understanding the eBook Jbl Tr 125 Manual
 - The Rise of Digital Reading Jbl Tr 125 Manual
 - Advantages of eBooks Over Traditional Books
2. Identifying Jbl Tr 125 Manual
 - Exploring Different Genres
 - Considering Fiction vs. Non-Fiction
 - Determining Your Reading Goals
3. Choosing the Right eBook Platform
 - Popular eBook Platforms
 - Features to Look for in an Jbl Tr 125 Manual
 - User-Friendly Interface
4. Exploring eBook Recommendations from Jbl Tr 125 Manual
 - Personalized Recommendations
 - Jbl Tr 125 Manual User Reviews and Ratings

-
- Jbl Tr 125 Manual and Bestseller Lists
5. Accessing Jbl Tr 125 Manual Free and Paid eBooks
 - Jbl Tr 125 Manual Public Domain eBooks
 - Jbl Tr 125 Manual eBook Subscription Services
 - Jbl Tr 125 Manual Budget-Friendly Options
 6. Navigating Jbl Tr 125 Manual eBook Formats
 - ePub, PDF, MOBI, and More
 - Jbl Tr 125 Manual Compatibility with Devices
 - Jbl Tr 125 Manual Enhanced eBook Features
 7. Enhancing Your Reading Experience
 - Adjustable Fonts and Text Sizes of Jbl Tr 125 Manual
 - Highlighting and Note-Taking Jbl Tr 125 Manual
 - Interactive Elements Jbl Tr 125 Manual
 8. Staying Engaged with Jbl Tr 125 Manual
 - Joining Online Reading Communities
 - Participating in Virtual Book Clubs
 - Following Authors and Publishers Jbl Tr 125 Manual
 9. Balancing eBooks and Physical Books Jbl Tr 125 Manual
 - Benefits of a Digital Library
 - Creating a Diverse Reading Collection Jbl Tr 125 Manual
 10. Overcoming Reading Challenges
 - Dealing with Digital Eye Strain
 - Minimizing Distractions
 - Managing Screen Time
 11. Cultivating a Reading Routine Jbl Tr 125 Manual
 - Setting Reading Goals Jbl Tr 125 Manual
 - Carving Out Dedicated Reading Time
 12. Sourcing Reliable Information of Jbl Tr 125 Manual
 - Fact-Checking eBook Content of Jbl Tr 125 Manual
 - Distinguishing Credible Sources

-
13. Promoting Lifelong Learning
 - Utilizing eBooks for Skill Development
 - Exploring Educational eBooks
 14. Embracing eBook Trends
 - Integration of Multimedia Elements
 - Interactive and Gamified eBooks

Jbl Tr 125 Manual Introduction

In the digital age, access to information has become easier than ever before. The ability to download Jbl Tr 125 Manual has revolutionized the way we consume written content. Whether you are a student looking for course material, an avid reader searching for your next favorite book, or a professional seeking research papers, the option to download Jbl Tr 125 Manual has opened up a world of possibilities. Downloading Jbl Tr 125 Manual provides numerous advantages over physical copies of books and documents. Firstly, it is incredibly convenient. Gone are the days of carrying around heavy textbooks or bulky folders filled with papers. With the click of a button, you can gain immediate access to valuable resources on any device. This convenience allows for efficient studying, researching, and reading on the go. Moreover, the cost-effective nature of downloading Jbl Tr 125 Manual has democratized knowledge. Traditional books and academic journals can be expensive, making it difficult for individuals with limited financial resources to access information. By offering free PDF downloads, publishers and authors are enabling a wider audience to benefit from their work. This inclusivity promotes equal opportunities for learning and personal growth. There are numerous websites and platforms where individuals can download Jbl Tr 125 Manual. These websites range from academic databases offering research papers and journals to online libraries with an expansive collection of books from various genres. Many authors and publishers also upload their work to specific websites, granting readers access to their content without any charge. These platforms not only provide access to existing literature but also serve as an excellent platform for undiscovered authors to share their work with the world. However, it is essential to be cautious while downloading Jbl Tr 125 Manual. Some websites may offer pirated or illegally obtained copies of copyrighted material. Engaging in such activities not only violates copyright laws but also undermines the efforts of authors, publishers, and researchers. To ensure ethical downloading, it is advisable to utilize reputable websites that prioritize the legal distribution of content. When downloading Jbl Tr 125 Manual, users should also consider the potential security risks associated with online platforms. Malicious actors may exploit vulnerabilities in unprotected websites to distribute malware or steal personal information. To protect themselves, individuals should ensure their devices have reliable antivirus software installed and validate the legitimacy of the websites they are downloading from. In conclusion, the ability to download Jbl Tr

125 Manual has transformed the way we access information. With the convenience, cost-effectiveness, and accessibility it offers, free PDF downloads have become a popular choice for students, researchers, and book lovers worldwide. However, it is crucial to engage in ethical downloading practices and prioritize personal security when utilizing online platforms. By doing so, individuals can make the most of the vast array of free PDF resources available and embark on a journey of continuous learning and intellectual growth.

FAQs About Jbl Tr 125 Manual Books

1. Where can I buy Jbl Tr 125 Manual books? Bookstores: Physical bookstores like Barnes & Noble, Waterstones, and independent local stores. Online Retailers: Amazon, Book Depository, and various online bookstores offer a wide range of books in physical and digital formats.
2. What are the different book formats available? Hardcover: Sturdy and durable, usually more expensive. Paperback: Cheaper, lighter, and more portable than hardcovers. E-books: Digital books available for e-readers like Kindle or software like Apple Books, Kindle, and Google Play Books.
3. How do I choose a Jbl Tr 125 Manual book to read? Genres: Consider the genre you enjoy (fiction, non-fiction, mystery, sci-fi, etc.). Recommendations: Ask friends, join book clubs, or explore online reviews and recommendations. Author: If you like a particular author, you might enjoy more of their work.
4. How do I take care of Jbl Tr 125 Manual books? Storage: Keep them away from direct sunlight and in a dry environment. Handling: Avoid folding pages, use bookmarks, and handle them with clean hands. Cleaning: Gently dust the covers and pages occasionally.
5. Can I borrow books without buying them? Public Libraries: Local libraries offer a wide range of books for borrowing. Book Swaps: Community book exchanges or online platforms where people exchange books.
6. How can I track my reading progress or manage my book collection? Book Tracking Apps: Goodreads, LibraryThing, and Book Catalogue are popular apps for tracking your reading progress and managing book collections. Spreadsheets: You can create your own spreadsheet to track books read, ratings, and other details.
7. What are Jbl Tr 125 Manual audiobooks, and where can I find them? Audiobooks: Audio recordings of books, perfect for listening while commuting or multitasking. Platforms: Audible, LibriVox, and Google Play Books offer a wide selection of audiobooks.
8. How do I support authors or the book industry? Buy Books: Purchase books from authors or independent bookstores.

Reviews: Leave reviews on platforms like Goodreads or Amazon. Promotion: Share your favorite books on social media or recommend them to friends.

9. Are there book clubs or reading communities I can join? Local Clubs: Check for local book clubs in libraries or community centers. Online Communities: Platforms like Goodreads have virtual book clubs and discussion groups.
10. Can I read Jbl Tr 125 Manual books for free? Public Domain Books: Many classic books are available for free as they're in the public domain. Free E-books: Some websites offer free e-books legally, like Project Gutenberg or Open Library.

Find Jbl Tr 125 Manual :

[future faith churches reconnecting with the power of the gospel for the 21st century](#)

[funniest moments in sports](#)

[fundamentals of marketing additional dimensions selections from the literature](#)

[fundamentals of construction management and organization](#)

furniture 1650-1800 antiques & their values s.

future of knowledge production in the academy

funky phonics learn to read vol 4 funky phonics learn to read

further blurtings of baxter

[fungicides an advanced treatise 2vol](#)

furnigore runs for president

fundamentals of veterinary ophthalmology

funny you should ask the delacorte of original humorous short stories

funeral in berlin 1st edition

[future of life uk edition](#)

[fusee 4 aqa assessment pack](#)

Jbl Tr 125 Manual :

ch 1 review questions anatomy and physiology openstax - Jan 28 2023

web 27 1 anatomy and physiology of the male reproductive system 27 2 anatomy and physiology of the female reproductive system 27 3 development of the male and female reproductive systems key terms chapter review interactive link questions

review questions critical thinking questions

[anatomy physiology elsevier education](#) - Apr 30 2023

web anatomy physiology elsevier s solutions for anatomy physiology offer the cutting edge content and innovative digital tools you need to achieve positive outcomes and prepare students for career success new full catalog of anatomy physiology titles

answer key to respiratory interactive physiology 2023 cie - Apr 18 2022

web answer key to respiratory interactive physiology respiratory physiology john burnard west 2012 widely considered the gold standard for the teaching and learning of respiratory physiology this fully updated ninth edition includes key points for each chapter and multiple choice review questions and answers with full explanations

ch 17 review questions anatomy and physiology openstax - Mar 30 2023

web 27 1 anatomy and physiology of the male reproductive system 27 2 anatomy and physiology of the female reproductive system 27 3 development of the male and female reproductive systems key terms chapter review interactive link questions review questions critical thinking questions

the immune system hhmi biointeractive - Oct 05 2023

web jun 15 2021 description this interactive module introduces the anatomy of the immune system and walks through the timeline of a typical immune response the timeline includes the differences between the first time a pathogen is encountered versus subsequent infections including an explanation of how vaccines work

bio228 ip answer key pdf interactive physiology exercise - Jul 02 2023

web view bio228 ip answer key pdf from bio 228 at clinton community college interactive physiology exercise sheet answers respiratory system anatomy review 1 external nares of nose pharynx primary

interactive physiology answer key - Feb 14 2022

web of them is this interactive physiology answer key that can be your partner laboratory manual for anatomy physiology subscription elaine n marieb 2013 04 08 anatomy physiology fifth edition answers the demand for a leaner version of elaine marieb and katja hoehn s top selling human anatomy physiology while maintaining

the immune system click learn educator materials hhmi - Jun 01 2023

web overview click learn educator materials the immune system click learn illustrates the main organs tissues cells and molecules that make up the human immune system it presents the approximate timeline of the innate and adaptive responses that occur during the course of an infection

anatomy physiology disease an interactive journey for - Jun 20 2022

web sep 18 2020 mylab health professions with pearson etext for anatomy physiology disease an interactive journey for health professionals published 2019 need help get in touch explore schools college work

ip exercise sheet answer key doc interactive physiology - Aug 03 2023

web interactive physiology exercise sheet answers muscular system anatomy review skeletal muscle tissue 1 muscle type cardiac skeletal smooth shape of cell short and branching elongated spindle shaped of nuclei one many one striations visible visible not visible control involuntary voluntary involuntary 2

worksheet answer key 1 doc interactive physiology - Oct 25 2022

web view homework help worksheet answer key 1 doc from bio 180 at moraine valley community college interactive physiology exercise sheet answers muscular system anatomy review skeletal muscle

ip answers endocrine answers for chapter 16 interactive physiology - Sep 04 2023

web test prep answers for chapter 16 interactive physiology endocrine system endocrine system review 1 receptors 2 anterior pituitary somatomedins or insulin like growth factors igfs 3 acth adrenocorticotrophic hormone adrenal cortex glandular 4 thyroid calcitonin 5 glucagon insulin glucagon 6

answer key ch 16 the endocrine system studocu - Mar 18 2022

web ch 16 the endocrine system answer key true false the endocrine system works with the nervous system by responding quickly to stimuli in the body false the endocrine system responds slowly to stimuli by using hormones as its communicator which travel in blood and lymph multiple choice

homepage hhmi biointeractive - Dec 27 2022

web the eukaryotic cell cycle and cancer this interactive module explores the phases checkpoints and protein regulators of the cell cycle the module also shows how mutations in genes that encode cell cycle regulators can lead to the development of cancer genetics

cardiology virtual lab hhmi biointeractive - Jul 22 2022

web oct 27 2022 this interactive modular lab explores the tools that doctors use to examine and diagnose patients with heart conditions in this lab students collect and interpret data using various tools and tests for detecting heart conditions the lab includes examples of medical exams involving auscultation listening with a stethoscope an

workbook to accompany understanding anatomy physiology a - May 20 2022

web oct 16 2019 paperback 35 95 39 96 13 used from 24 95 14 new from 39 16 here s the ideal companion to understanding anatomy physiology a visual interactive approach 3rd edition or as a stand alone guide to reinforce a p concepts hands on activities make mastering a p easier and fun

ip exercisesheetanswerkey course hero - Nov 25 2022

web interactive physiology 10 system suite exercise sheet answer key muscular system anatomy review skeletal muscle tissue 1

workbook to accompany understanding anatomy physiology - Aug 23 2022

web oct 16 2019 *workbook to accompany understanding anatomy physiology gale sloan thompson f a davis oct 16 2019 medical 336 pages here s the ideal companion to understanding anatomy*

lab 8 nerve physiology answer key 1 pdf course hero - Sep 23 2022

web 1 log into your account 2 click on study area 3 click on launch the study area 4 click on interactive physiology not on physioex 9 1 5 click on the appropriate animation this one is ip animation resting membrane potential

anatomy and physiology 2nd edition solutions and answers quizlet - Feb 26 2023

web our resource for anatomy and physiology includes answers to chapter exercises as well as detailed information to walk you through the process step by step with expert solutions for thousands of practice problems you can take the guesswork out of studying and move forward with confidence

tenth edition handbook errata 20131009 ies illuminating - Jun 30 2022

web oct 9 2013 *apa handbook of dementia iraq in crisis education for the new frontier tenth edition handbook errata 20131009 ies illuminating omb no edited by*

tenth edition handbook errata 20131009 ies illuminating book - Feb 24 2022

web oct 9 2013 *tenth edition handbook errata 20131009 ies illuminating omb no 5830426871395 edited by mikayla boyer producing written and oral*

ies lighting handbook 10th edition pdf pdf - Dec 05 2022

web oct 9 2013 *this online broadcast tenth edition handbook errata 20131009 ies illuminating pdf can be one of the options to accompany you considering having*

tenth edition handbook errata 20131009 ies illuminating pdf - Sep 02 2022

web june 10th 2018 *10th edition of the ies lighting handbook pdf tenth edition handbook errata 20131009 ies as a user of the ies lighting handbook 10th*

tenth edition handbook errata 20131009 ies illuminating pdf - Oct 15 2023

web tenth edition handbook errata 20131009 ies illuminating 1 tenth edition handbook errata 20131009 ies illuminating innovative technologies for dependable ots based

ies announces the 10th edition of the lighting handbook - Mar 08 2023

web jan 1 2011 *the tenth edition handbook has taken cognizance of several issues that impact designs of today energy limits the spectral effects of light on perception and*

ies lighting handbook squarespace - May 30 2022

web oct 9 2013 *tenth edition handbook errata 20131009 ies illuminating what you taking into consideration to read*

decimal place value tenths and hundredths

[ies lighting handbook 10th edition pdf documents and e books](#) - Aug 01 2022

web it is my sincerest wish that the ninth edition of the iesna lighting handbook does honor to these contributors and helps them continue to improve the quality of lighting throughout

tenth edition handbook errata 20131009 ies illuminating pdf - Oct 03 2022

web the lighting handbook 10th edition presented to ies raleigh section by bob henderson lc clep linda anderson leed ap lc december 6 2011 golden corral cary nc

ies lighting handbook 10th edition pdf pdf txt - Nov 23 2021

ies lighting handbook lighting handbook reference - Feb 07 2023

web the 10th edition brings together some of the best minds in the lighting community to present the current state of knowledge as it relates to lighting and lighting design with

ies standards cross reference illuminating - Sep 14 2023

web oct 9 2013 tenth edition handbook errata 20131009 ies illuminating free tenth edition handbook errata 20131009 ies tenth edition handbook errata 20131009

tenth edition handbook errata 20131009 ies illuminating pdf - Mar 28 2022

web the oxford handbook of international criminal law however takes a theoretically informed and refreshingly critical look at the most controversial issues in international criminal law

tenth edition handbook errata 20131009 ies illuminating - Aug 13 2023

web the lighting handbook 10th edition illuminating engineering society of north america the lighting handbook 10th edition illuminating engineering society of north

tenth edition handbook errata 20131009 ies illuminating - Apr 28 2022

web handbook errata 20131009 ies illuminating published by a highly acclaimed author immerses readers in a captivating exploration of the significance of language and its

the lighting handbook 10th edition illuminating engineering - Jul 12 2023

web oct 9 2013 reflects these changes the second edition also includes a compact handbook of style and usage that provides guidelines for sentence and paragraph

ies 10th edition of the lighting handbook available early 2011 - Nov 04 2022

web oct 9 2013 tenth edition handbook errata 20131009 ies illuminating pdf introduction tenth edition handbook errata 20131009 ies illuminating pdf

[tenth edition handbook errata 20131009 ies illuminating pdf](#) - Jan 26 2022

web the lighting handbook 10th edition presented to ies raleigh section by bob henderson lc clep linda anderson leed ap lc december 6 2011 golden corral cary nc

tenth edition handbook errata 20131009 ies illuminating 2023 - Jun 11 2023

web oct 9 2013 tenth edition handbook errata 20131009 ies illuminating downloaded from ftp dartgo org by guest hobbs kaufman iraq in crisis springer nature the final

tenth edition handbook errata 20131009 ies illuminating - May 10 2023

web oct 9 2013 tenth edition handbook errata 20131009 ies illuminating preventing regulatory capture dec 11 2022 leading scholars from across the social sciences

[tenth edition handbook errata 20131009 ies illuminating full pdf](#) - Apr 09 2023

web ies announces the 10th edition of the lighting handbook sept 2 2011 the illuminating engineering society of north america ies announces the publication of

[tenth edition handbook errata 20131009 ies illuminating 2023](#) - Dec 25 2021

illuminating engineering society the lighting handbook tenth - Jan 06 2023

web dec 15 2010 the illuminating engineering society ies has announced an early 2011 release for the 10th edition of the lighting handbook a staple in the compendium of

[which province to visit in atlantic canada moon travel guides](#) - Aug 25 2022

web the latter comprises new brunswick nova scotia and prince edward island while atlantic canada comprises the maritime provinces together with newfoundland and labrador sunset at nova scotia s crystal crescent beach the locals

[moon nova scotia new brunswick prince edward island](#) - Sep 06 2023

web jun 13 2017 there is a newer edition of this item moon nova scotia new brunswick prince edward island 23 06 36 in stock make your escape with moon travel guides rugged coastline friendly people and incredible scenery make your own adventure with moon nova scotia new brunswick prince edward island

moon atlantic canada nova scotia new brunswick prince edward - Nov 27 2022

web jun 6 2017 see if you can spot one of the world s rarest whales or indulge your literary side by visiting sights from anne of green gables in depth coverage of nova scotia new brunswick prince

[moon nova scotia new brunswick prince edward island](#) - Dec 29 2022

web nov 16 2021 spot moose and porcupines on a secluded hike relax in a candy colored fishing village and immerse yourself in canada s maritime history with moon nova scotia new brunswick prince edward island inside you ll find flexible

itineraries including a

[prince edward island maps facts world atlas](#) - Mar 20 2022

web mar 30 2023 prince edward island located in the gulf of st lawrence is one of canada s ten provinces it sits in the atlantic region bordered by new brunswick to the west nova scotia to the south and newfoundland and labrador to the east the northumberland strait separates the island from the mainland

[moon nova scotia new brunswick prince edward island travel](#) - Jul 04 2023

web nov 16 2021 experience the natural beauty and fascinating history of nova scotia new brunswick and prince edward island with moon s expert tips and unique experiences expanding your trip try moon atlantic canada or moon canadian rockies

moon atlantic canada by andrew hempstead moon travel guides - Apr 01 2023

web in depth coverage of nova scotia new brunswick prince edward island newfoundland and labrador get to know the best of atlantic canada with moon s local insight expert tips and unique experiences

[nova scotia moonrise moonset time timebie](#) - Jul 24 2022

web nov 1 2023 time conversion among multiple time zones moonrise moonset time of nova scotia current local date 11 1 2023 current local time 8 20 am nova scotia time month

moon nova scotia new brunswick prince edward island - Jan 30 2023

web nov 16 2021 experience the natural beauty and fascinating history of nova scotia new brunswick and prince edward island with moon s expert tips and unique experiences expanding your trip try moon atlantic canada or moon canadian rockies

moon phases 2023 lunar calendar for nova scotia nova scotia canada - Feb 16 2022

web super new moon jan 21 micro full moon feb 5 super new moon feb 20 black moon may 19 third new moon in a season with four new moons super full moon aug 1 micro new moon aug 16 blue moon aug 30 second full moon in single calendar month super full moon aug 30 partial lunar eclipse penumbral lunar eclipse as seen from nova

moon nova scotia new brunswick prince edward island - May 02 2023

web experience the natural beauty and fascinating history of nova scotia new brunswick and prince edward island with moon s expert tips and unique experiences expanding your trip try moon atlantic canada or moon canadian rockies about moon travel guides moon was founded in 1973 to empower independent active and conscious travel we

[introducing nova scotia new brunswick prince edward island](#) - Jun 22 2022

web sep 29 2017 start exploring nova scotia new brunswick prince edward island with lonely planet s video guide to getting around when to go and the top things to do while you re there for more travel tips

[moon phases 2023 lunar calendar for halifax nova scotia canada](#) - Oct 27 2022

web oct 6 2016 the moon phase calculator shows exact times of the various moon phases for halifax nova scotia canada in year 2023 or in other locations and years

moon nova scotia new brunswick prince edward isla paul - Apr 20 2022

web northeast with moon toronto ontario s expert insight and practical tips you can plan your trip your way for more canadian adventures check out moon montréal or moon nova scotia new brunswick prince edward island atlantic canada handbook nan drosdick 1995 featuring over 70 maps as well as restauran t and

moon nova scotia new brunswick prince edward island - Oct 07 2023

web experience the natural beauty and fascinating history of nova scotia new brunswick and prince edward island with moon s expert tips and unique experiences expanding your trip try moon atlantic canada or moon canadian rockies

moon nova scotia new brunswick prince edward island - Feb 28 2023

web spot moose and porcupines on a secluded hike relax in a candy colored fishing village and immerse yourself in canada s maritime history with moon nova scotia new brunswick prince

nova scotia new brunswick prince edward island lonely planet - Sep 25 2022

web nova scotia new brunswick prince edward island canada north america home to canada s craggiest coastline loneliest lighthouses and fiercest tides this is a land where you can feel the full force of nature at work

moon nova scotia new brunswick prince edward island sixth - Aug 05 2023

web nov 25 2021 explore the best of maritime canada s quaint villages scenic drives and outdoor recreation with the revised edition of moon nova scotia new brunswick prince edward island from canadian travel expert andrew hempstead

[moon atlantic canada nova scotia new brunswick prince edward](#) - Jun 03 2023

web sep 21 2021 in depth coverage of nova scotia new brunswick prince edward island newfoundland and labrador get to know the best of atlantic canada with moon s local insight expert tips and unique experiences sticking to one province check out moon newfoundland labrador or moon nova scotia new brunswick prince edward

new brunswick prince edward island lonely planet - May 22 2022

web welcome to nova scotia new brunswick prince edward island 4 nova scotia new brunswick prince edward island map 6 nova scotia new brunswick prince edward island s top 10 8 need to know 16 if you like 18 month by month 21 itineraries 24