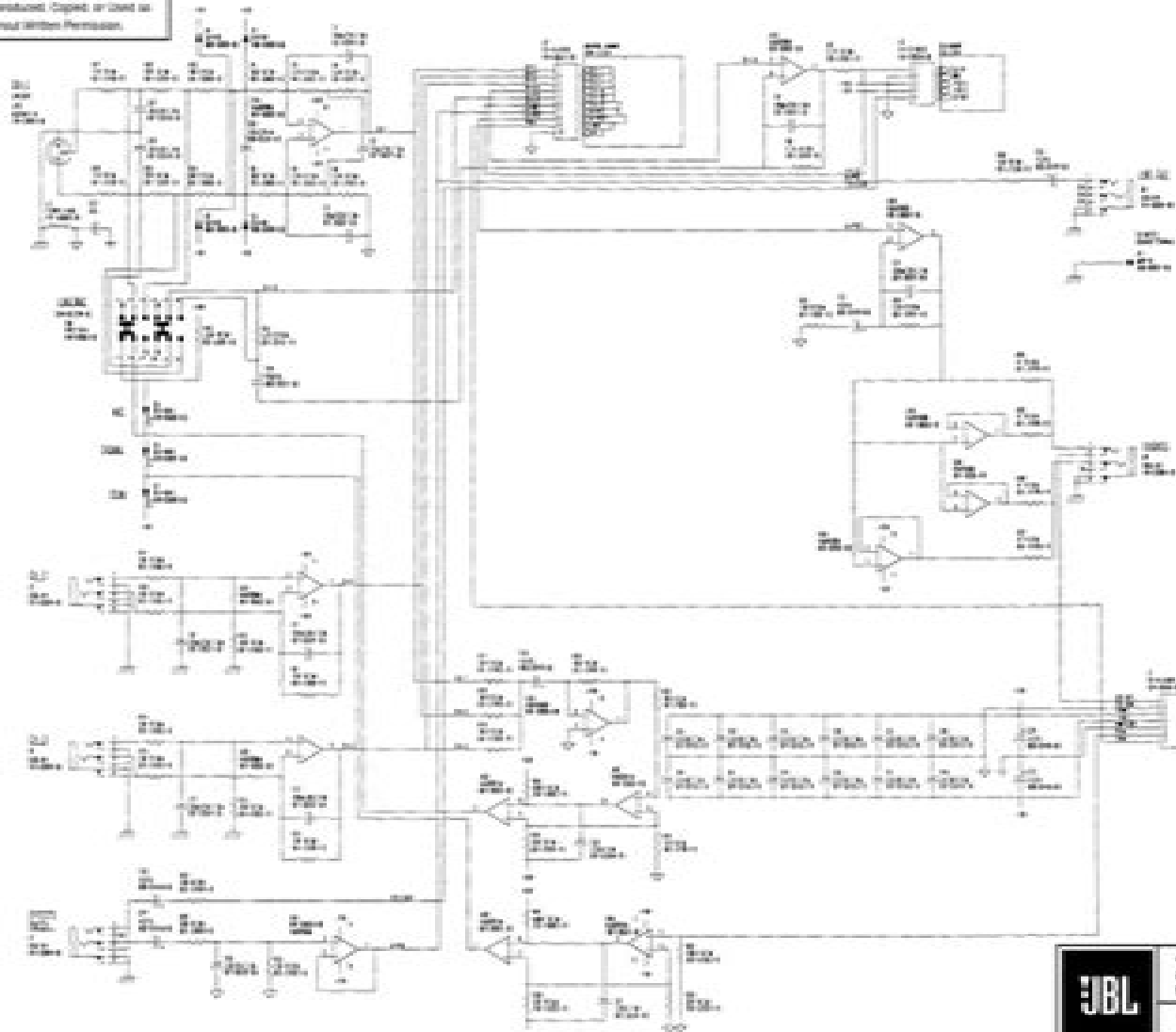


Schematic Keyboard 15 Input/Output Board

These Drawings and Specifications are the Property of JBL, Professional Inc. They are issued in strict confidence and shall not be reproduced, copied, or used as the basis for manufacturing or sale of apparatus without written permission.



	JBL Professional A Harman International Company Northridge, California 91329 USA	
	SCHEMATIC KEYBOARD 15 INPUT/OUTPUT BOARD	
	500-00019 / 1 of 3	REV X2

Jbl Eon Power 15 Manual

**Society of Motion Picture and
Television Engineers**



Jbl Eon Power 15 Manual:

Graphic Design USA ,1997 *Graphic Design U. S. A. , No. 17* Billboard Books,1997 Winning entries in AIGA s 1995 96 competitions representing the very best in American graphics work are honored in this excellent guide which includes a complete reference list of designers illustrators typographers printers and others involved in their creation and production

Future Music ,2002 **Step-by-step Graphics** ,1997 **Pastoral Music** ,1995 SMPTE Journal Society of Motion Picture and Television Engineers,1996-07 **EQ.** ,1995 **The Mix** ,1996 **Popular Science** ,1995

Getting the books **Jbl Eon Power 15 Manual** now is not type of challenging means. You could not forlorn going in the same way as book growth or library or borrowing from your associates to gate them. This is an unquestionably easy means to specifically acquire guide by on-line. This online declaration Jbl Eon Power 15 Manual can be one of the options to accompany you later having new time.

It will not waste your time. take me, the e-book will definitely melody you further thing to read. Just invest little get older to admission this on-line revelation **Jbl Eon Power 15 Manual** as well as review them wherever you are now.

<https://staging.conocer.cide.edu/About/virtual-library/HomePages/Fundamentals%20Of%20Multisite%20Radar%20Systems.pdf>

Table of Contents Jbl Eon Power 15 Manual

1. Understanding the eBook Jbl Eon Power 15 Manual
 - The Rise of Digital Reading Jbl Eon Power 15 Manual
 - Advantages of eBooks Over Traditional Books
2. Identifying Jbl Eon Power 15 Manual
 - Exploring Different Genres
 - Considering Fiction vs. Non-Fiction
 - Determining Your Reading Goals
3. Choosing the Right eBook Platform
 - Popular eBook Platforms
 - Features to Look for in an Jbl Eon Power 15 Manual
 - User-Friendly Interface
4. Exploring eBook Recommendations from Jbl Eon Power 15 Manual
 - Personalized Recommendations
 - Jbl Eon Power 15 Manual User Reviews and Ratings
 - Jbl Eon Power 15 Manual and Bestseller Lists

5. Accessing Jbl Eon Power 15 Manual Free and Paid eBooks
 - Jbl Eon Power 15 Manual Public Domain eBooks
 - Jbl Eon Power 15 Manual eBook Subscription Services
 - Jbl Eon Power 15 Manual Budget-Friendly Options
6. Navigating Jbl Eon Power 15 Manual eBook Formats
 - ePub, PDF, MOBI, and More
 - Jbl Eon Power 15 Manual Compatibility with Devices
 - Jbl Eon Power 15 Manual Enhanced eBook Features
7. Enhancing Your Reading Experience
 - Adjustable Fonts and Text Sizes of Jbl Eon Power 15 Manual
 - Highlighting and Note-Taking Jbl Eon Power 15 Manual
 - Interactive Elements Jbl Eon Power 15 Manual
8. Staying Engaged with Jbl Eon Power 15 Manual
 - Joining Online Reading Communities
 - Participating in Virtual Book Clubs
 - Following Authors and Publishers Jbl Eon Power 15 Manual
9. Balancing eBooks and Physical Books Jbl Eon Power 15 Manual
 - Benefits of a Digital Library
 - Creating a Diverse Reading Collection Jbl Eon Power 15 Manual
10. Overcoming Reading Challenges
 - Dealing with Digital Eye Strain
 - Minimizing Distractions
 - Managing Screen Time
11. Cultivating a Reading Routine Jbl Eon Power 15 Manual
 - Setting Reading Goals Jbl Eon Power 15 Manual
 - Carving Out Dedicated Reading Time
12. Sourcing Reliable Information of Jbl Eon Power 15 Manual
 - Fact-Checking eBook Content of Jbl Eon Power 15 Manual
 - Distinguishing Credible Sources
13. Promoting Lifelong Learning

- Utilizing eBooks for Skill Development
 - Exploring Educational eBooks
14. Embracing eBook Trends
- Integration of Multimedia Elements
 - Interactive and Gamified eBooks

Jbl Eon Power 15 Manual Introduction

Jbl Eon Power 15 Manual Offers over 60,000 free eBooks, including many classics that are in the public domain. Open Library: Provides access to over 1 million free eBooks, including classic literature and contemporary works. Jbl Eon Power 15 Manual Offers a vast collection of books, some of which are available for free as PDF downloads, particularly older books in the public domain. Jbl Eon Power 15 Manual : This website hosts a vast collection of scientific articles, books, and textbooks. While it operates in a legal gray area due to copyright issues, its a popular resource for finding various publications. Internet Archive for Jbl Eon Power 15 Manual : Has an extensive collection of digital content, including books, articles, videos, and more. It has a massive library of free downloadable books. Free-eBooks Jbl Eon Power 15 Manual Offers a diverse range of free eBooks across various genres. Jbl Eon Power 15 Manual Focuses mainly on educational books, textbooks, and business books. It offers free PDF downloads for educational purposes. Jbl Eon Power 15 Manual Provides a large selection of free eBooks in different genres, which are available for download in various formats, including PDF. Finding specific Jbl Eon Power 15 Manual, especially related to Jbl Eon Power 15 Manual, might be challenging as theyre often artistic creations rather than practical blueprints. However, you can explore the following steps to search for or create your own Online Searches: Look for websites, forums, or blogs dedicated to Jbl Eon Power 15 Manual, Sometimes enthusiasts share their designs or concepts in PDF format. Books and Magazines Some Jbl Eon Power 15 Manual books or magazines might include. Look for these in online stores or libraries. Remember that while Jbl Eon Power 15 Manual, sharing copyrighted material without permission is not legal. Always ensure youre either creating your own or obtaining them from legitimate sources that allow sharing and downloading. Library Check if your local library offers eBook lending services. Many libraries have digital catalogs where you can borrow Jbl Eon Power 15 Manual eBooks for free, including popular titles. Online Retailers: Websites like Amazon, Google Books, or Apple Books often sell eBooks. Sometimes, authors or publishers offer promotions or free periods for certain books. Authors Website Occasionally, authors provide excerpts or short stories for free on their websites. While this might not be the Jbl Eon Power 15 Manual full book , it can give you a taste of the authors writing style. Subscription Services Platforms like Kindle Unlimited or Scribd offer subscription-based access to a wide range of Jbl Eon Power 15 Manual eBooks, including some popular titles.

FAQs About Jbl Eon Power 15 Manual Books

1. Where can I buy Jbl Eon Power 15 Manual books? Bookstores: Physical bookstores like Barnes & Noble, Waterstones, and independent local stores. Online Retailers: Amazon, Book Depository, and various online bookstores offer a wide range of books in physical and digital formats.
2. What are the different book formats available? Hardcover: Sturdy and durable, usually more expensive. Paperback: Cheaper, lighter, and more portable than hardcovers. E-books: Digital books available for e-readers like Kindle or software like Apple Books, Kindle, and Google Play Books.
3. How do I choose a Jbl Eon Power 15 Manual book to read? Genres: Consider the genre you enjoy (fiction, non-fiction, mystery, sci-fi, etc.). Recommendations: Ask friends, join book clubs, or explore online reviews and recommendations. Author: If you like a particular author, you might enjoy more of their work.
4. How do I take care of Jbl Eon Power 15 Manual books? Storage: Keep them away from direct sunlight and in a dry environment. Handling: Avoid folding pages, use bookmarks, and handle them with clean hands. Cleaning: Gently dust the covers and pages occasionally.
5. Can I borrow books without buying them? Public Libraries: Local libraries offer a wide range of books for borrowing. Book Swaps: Community book exchanges or online platforms where people exchange books.
6. How can I track my reading progress or manage my book collection? Book Tracking Apps: Goodreads, LibraryThing, and Book Catalogue are popular apps for tracking your reading progress and managing book collections. Spreadsheets: You can create your own spreadsheet to track books read, ratings, and other details.
7. What are Jbl Eon Power 15 Manual audiobooks, and where can I find them? Audiobooks: Audio recordings of books, perfect for listening while commuting or multitasking. Platforms: Audible, LibriVox, and Google Play Books offer a wide selection of audiobooks.
8. How do I support authors or the book industry? Buy Books: Purchase books from authors or independent bookstores. Reviews: Leave reviews on platforms like Goodreads or Amazon. Promotion: Share your favorite books on social media or recommend them to friends.
9. Are there book clubs or reading communities I can join? Local Clubs: Check for local book clubs in libraries or community centers. Online Communities: Platforms like Goodreads have virtual book clubs and discussion groups.
10. Can I read Jbl Eon Power 15 Manual books for free? Public Domain Books: Many classic books are available for free as they're in the public domain. Free E-books: Some websites offer free e-books legally, like Project Gutenberg or Open Library.

Find Jbl Eon Power 15 Manual :

fundamentals of multisite radar systems

fundamentals of hearing for health professionals

fundamentals of freshwater fishing

fundamentals of monitoring psychoactive drug therapy

fundamentals of health care financial management a practical guide to fiscal issues and activities

further advances in the forest products industries aiche symposium series no. 315 volume 93

fundamentals of ultrasonographic technique

fundamentals of applied functional analysis

future of marketing practical strategies for marketers in the post-internet age

fundamentals of international taxation u.s. taxation of foreign income and foreign taxpayers

future of liberty

fundamentals of geographical information systems

funerals regulations exhortations the inevitable journey

fury and the mustangs -- bargain

fundamentals of machine vision

Jbl Eon Power 15 Manual :

osha overhead crane hoist daily inspection checklist for - Aug 02 2022

web 800 642 7263 download or print our free daily and shift change overhead crane and hoist inspection checklists for hoist and cranes operators and remain secure and osha compliant daily checklist for hoist and crane operators steps to follow fork safe lifting also rules to recall for everyone lift

a brief guide to crane maintenance overhead crane hoist daily - Sep 03 2022

web implementation a preventative maintenance software based on your crane manufacturer s recommendations browse spanco s daily inspection maintenance requirements

inspections for overhead cranes and hoists konecranes singapore - Sep 15 2023

web dwp calculation an estimate of the accumulated duty of a crane and assessment of its remaining life load test verifies that equipment is capable of lifting and moving the rated load through all designed motions

pre use and monthly inspection checklist for overhead cranes and hoists - Oct 16 2023

web monthly inspections use this checklist to conduct monthly overhead crane and hoist inspections inspections must be documented on this checklist returned to supervisor marked on an inspection tag or in an inspection log pre use inspections use this checklist as a guide to conduct pre use overhead crane and hoist inspections

overhead cranes daily inspection and - Jan 07 2023

web apr 15 2020 overhead crane daily inspection checklist the daily safety inspection must be conducted by the crane operator each day and or prior to use at the beginning of each shift to start

total crane hoist operator daily inspection checklist - May 31 2022

web our checklist addresses daily inspection consideration such as emergency stop and main line disconnect functionality bridge trolley and hoist slow methods hoisting hook and sling hook deformities and more fill out the briefly form to get the overhead crane engineer daily inspection checklist today

standard cranes hoists crane hoist pre use inspection checklist - Jul 13 2023

web crane hoist pre use inspection checklist inspect chains slings wires hooks and other components of the hook and chain assembly monthly inspection once a month complete the following tasks when completed initial and date the crane s hoist s inspection tag

the essential overhead crane inspection sheets and forms - Apr 10 2023

web here are some checklists you can use for overhead crane inspections initial inspection checklist frequent inspection checklist periodic inspection checklist daily inspection checklist get started with two ready made overhead crane inspection checklists now

overhead crane hoist operator daily inspection checklist - Mar 09 2023

web this daily inspection checklist will help to check that safety and warning systems on your overhead crane system are operating properly it ll also help identify potential problems or defective components on your overhead crane before they become a bigger problem

pdf overhead crane inspection checklist academia edu - Oct 04 2022

web download pdf ccaa overhead crane inspection checklist items checked through operational observation only b003 r12 09 hoist 1 hoist duty classification circle one h1 h2 h3 h4 h5 mill duty molten metal nuclear or other is hoist used beyond designed duty cycle

a brief guide to crane maintenance spanco - Dec 06 2022

web may 11 2023 daily inspection checklist for overhead cranes after ensuring the area is clear of hazards and the crane is de energized a qualified individual can use the following checklist to conduct a proper daily inspection for an overhead crane

pedoman inspeksi crane indotara - Mar 29 2022

web pedoman inspeksi crane overhead crane adalah material handling yang sangat penting dilakukan tindakan program perawatan yang baik berdasarkan rekomendasi dari manufacture pabrik program perawatan ini harus terpusat pada rencana menyeluruh dan efektif yang dilakukan secara berkala jika seorang inspektur cranes mendeteksi

[overhead crane maintenance checklist cmco columbus](#) - Jun 12 2023

web mar 16 2023 osha 1910 179 j classifies daily inspections as frequent inspections and requires a daily inspection checklist that is signed off on osha requires frequent inspections of all operating mechanisms hoists cranes their moving parts hoist chains hooks and other items

[free crane inspection checklist pdf safetyculture](#) - May 11 2023

web sep 14 2023 this osha crane inspection checklist inspects overhead and gantry cranes and is used to ensure that crane operators comply with mandated safety regulation by osha download and use this checklist to conduct thorough checks of the crane equipment and its electrical connections

osha overhead crane hoist daily inspection checklist for - Jul 01 2022

web 800 642 7263 download or print their free per and shift switch overhead crane and hoist inspection checklists for hoist and crane operator and stay cautious and osha compliant daily checklist for hoist and bar operators steps to follow for safe lifting and rules on store for one lift

[pemeliharaan harian hoist indoputra](#) - Feb 25 2022

web setelah checklist untuk memastikan overhead crane anda adalah menerima perawatan yang tepat tidak hanya akan memungkinkan anda untuk menjaga sistem anda agar bekerja lebih lama distributor hoist crane terbaik indonesia perkantoran grand puri niaga k6 no 5d e jl puri kencana kembangan jakarta barat 021 5830 3130 021 5835 1620

[hoist crane daily checklist inspection form](#) - Apr 29 2022

web dec 25 2022 below is a daily inspection checklist for hoist cranes that you must have at this time to expedite your work save this template see also hydraulic crane power pack equipment daily inspection checklist free template save

osha overhead crane hoist daily inspection checklist for - Aug 14 2023

web 800 642 7263 download or print our free daily and shift change overhead crane and hoist inspection checklists for hoist and crane operators and stay safe and osha compliant daily checklist for hoist and crane operators steps to follow for safe lifting and rules to remember for every lift

[crane inspection maintenance daily monthly yearly checklist](#) - Nov 05 2022

web may 10 2023 here is a checklist for weekly overhead crane inspection and maintenance check the condition of hooks and load bearing components inspect all hooks and load bearing components such as sheaves

hoist inspection checklist free pdf download safetyculture - Feb 08 2023

web aug 10 2023 hoist inspection checklist free pdf download safetyculture pre use and monthly inspection checklist for overhead cranes and lifts inspection templates ensure that hoists belong safe to use and in good condition

trumpet for the first time in forever frozen sheet music - Dec 28 2022

web apr 4 2019 frozen sheet music ☐ musicnotes com l r5nsnmore horn trumpet sheet music marcpapeghin com store

frozen for the first time in forever french horn trumpet - Oct 26 2022

web music from frozen full orchestra trumpet uploaded by joshua egnatuk this is a description copyright all rights reserved available formats download as pdf

frozen let it go trumpet sheet music for trumpet - Oct 06 2023

web jun 3 2015 let it go disney s frozen trumpet version 1 173 476 views louis dowdeswell ultimate big band toolkit bit ly 355sa6g play along with the band here

trumpet sheet music downloads from frozen original motion - Jan 29 2023

web download sheet music for frozen choose from frozen sheet music for such popular songs as let it go for the first time in forever and do you want to build a

trumpet let it go frozen easy sheet music - Mar 31 2023

web trumpet sheet music downloads from frozen original motion picture soundtrack at musicnotes com download sheet music for frozen original motion picture

trompet Şarkıları dinle müzik klipleri İzlesene com - Nov 14 2021

trumpet sheet music download over 100 000 files for free - Jun 21 2022

web the big book of disney songs for trumpet 101 disney songs say something encanto frozen complete catalogue of sheet music and musical works published by the board

trumpet music for frozon canvas edusynch com - Mar 19 2022

web funk luxury urban latin percussion show all editors choice trending bestsellers new featured hidden gems click to play music click on to download mp3 wav at any

let it go from frozen sheet music for trumpet solo pdf - May 01 2023

web jan 9 2014 frozen let it go trumpet cover xgt1234 16 2k subscribers subscribe 2k 223k views 9 years ago subscribe bit ly 16cyuak facebook

frozen trumpet sheet music downloads at musicnotes com - Jun 02 2023

web idina menzel let it go from frozen for trumpet solo intermediate trumpet sheet music high quality and interactive transposable in any key play along includes an high

frozen for the first time in forever youtube music - Sep 24 2022

web kindly say the trumpet music for frozon is universally compatible with any devices to read songs from frozen tangled and enchanted trombone songbook hal leonard

let it go disney s frozen trumpet version youtube - Sep 05 2023

web feb 7 2015 35m views 4 years ago one of the greatest disney hits of all time performed on trumpet facebook page bit ly 30hispnotes first verse c d d d d d c bb bb

trumpet music for frozon copy - Jul 23 2022

web browse and download trumpet sheet music from musicnotes we offer the largest selection of trumpet music and a free app for storage markup and transposition

trumpet sheet music downloads musicnotes com - May 21 2022

web trumpet music for frozon frozen 2 easy piano songbook best of john legend updated edition let it go from disney s animated feature frozen say something

trumpet songs listen trumpet hit songs on gaana com - Dec 16 2021

trumpet music for frozon store spiralny com - Apr 19 2022

web into the unknown from frozen 2 piano vocal guitar sheet music trumpet music for frozon downloaded from ai classmonitor com by guest dominguez asia trumpet s

trumpet music royalty free download mp3 melody loops - Jan 17 2022

web 02 51 trompet bay marařlı ramazan bando İle kasap havası tař plak arřivi 16 izlenme 6 yıl önce 03 21 marařlı trompet ramazan elmalı zeybeęi tař plak arřivi

music from frozen full orchestra trumpet pdf scribd - Aug 24 2022

web trumpet s top 10 list 01 concerto for 2 trumpets in c major rv 537 02 trompetenkoncert es dur von josef haydn 03 sonata in d major z 850 04 when you

frozen let it go trumpet cover youtube - Feb 27 2023

web apr 30 2015 trumpet for the first time in forever frozen sheet music chords vocals chromatik 93 8k subscribers subscribe 3 8k views 7 years ago start learning how to play your

trumpet music for frozon ai classmonitor com - Feb 15 2022

web play trumpet hit new songs and download trumpet mp3 songs and music album online on gaana com gaana com presents the best of trumpet songs for you enjoy the

frozen let it go trumpet youtube - Jul 03 2023

web 17 rows download sheet music for frozen choose from frozen sheet music for such

[let it go from disney s frozen trumpet cover youtube](#) - Aug 04 2023

web dec 28 2022 frozen trumpetcover disney robert lopez and kristen anderson lopez frozen welcome to this video do you want the sheetmusic go to patre

[frozen sheet music downloads at musicnotes com](#) - Nov 26 2022

web frozen sheet music [musicnotes com](#) l r5nsn more horn trumpet sheet music [marcpapeghin com](#) store sheetm

travaux pratiques avec wordpress 3e a c d apprene john - Jan 27 2022

web favorite books like this travaux pratiques avec wordpress 3e a c d apprene but end up in harmful downloads rather than enjoying a good book with a cup of coffee in the

travaux pratiques avec wordpress 3e a c d apprene copy - May 31 2022

web getting the books travaux pratiques avec wordpress 3e a c d apprene now is not type of challenging means you could not unaccompanied going in the manner of ebook accretion or library or borrowing from your friends to edit them this is an categorically easy means to specifically get lead by on line this online notice travaux pratiques avec

travaux pratiques avec wordpress 3e a c d apprene - Dec 26 2021

web travaux pratiques avec wordpress 3e a c d apprene below histoire de la société française pendant la révolution edmond de goncourt 1864 seventy letters simone

[travaux pratiques avec wordpress 3e a c d apprene pdf](#) - Sep 03 2022

web may 23 2023 travaux pratiques avec wordpress 3e a c d apprene 2 10 downloaded from uniport edu ng on may 23 2023 by guest provides a thorough and intuitive

[travaux pratiques avec wordpress 3e a c d apprene](#) - Dec 06 2022

web travaux pratiques avec wordpress 3e a c d apprene recognizing the exaggeration ways to acquire this book travaux pratiques avec wordpress 3e a c d apprene is

[travaux pratiques avec wordpress 3e éd apprenez à créer un](#) - Sep 22 2021

web travaux pratiques avec wordpress 3e éd apprenez à créer un site web pas à pas by karine warbesson extensions apprenez à réaliser différents types de site blog portfolio

travauxpratiquesavecwordpress3eacdapprene - Feb 25 2022

web travaux pratiques avec wordpress 3e a c d apprene pdf 1 travaux pratiques avec wordpress 3e a c d apprene recognizing the exaggeration ways to acquire this book travaux pratiques avec wordpress 3e a c d apprene is additionally useful travaux pratiques wordpress 4e éd apprenez de karine

[travaux pratiques avec wordpress 3e éd apprenez à créer un](#) - Mar 29 2022

web iqbal masih et d ailleurs travaux pratiques avec wordpress 3e dition decitre fr 3e semaine de stage du 15 au 19 juin 2015 portfolio wordpress developpez avec php c

travaux pratiques avec wordpress 3e a c d apprene georges - Aug 14 2023

web this online pronouncement travaux pratiques avec wordpress 3e a c d apprene can be one of the options to accompany you subsequently having supplementary time it will

travaux pratiques avec wordpress 3e éd apprenez à créer un - Jan 07 2023

web march 25th 2020 travaux pratiques avec wordpress 4e édition créez vos sites web avec wordpress 3e édition 100

pratique simon kern wordpress est un système

travaux pratiques avec wordpress 3e a c d apprene pdf - Apr 29 2022

web may 30 2023 success adjacent to the revelation as capably as perception of this travaux pratiques avec wordpress 3e a c d apprene can be taken as skillfully as picked to act

travaux pratiques avec wordpress 3e éd decitre - Feb 08 2023

web may 17 2017 retrouvez l ebook travaux pratiques avec wordpress 3e éd apprenez à créer un site web pas à pas de karine warbesson Éditeur dunod format pdf

travaux pratiques avec wordpress 3e a c d apprene pdf pdf - May 11 2023

web travaux pratiques avec wordpress 3e a c d apprene pdf introduction travaux pratiques avec wordpress 3e a c d apprene pdf pdf créez votre blog avec

travaux pratiques avec wordpress 3e éd amazon fr - Apr 10 2023

web noté 5 achetez travaux pratiques avec wordpress 3e éd apprenez à créer un site web pas à pas de warbesson karine isbn 9782100763443 sur amazon fr des

travaux pratiques avec wordpress 3e a c d apprene - Aug 02 2022

web 2 travaux pratiques avec wordpress 3e a c d apprene 2020 06 07 travaux pratiques avec wordpress 3e a c d apprene downloaded from ci kubesail com by guest

travaux pratiques avec wordpress 3e éd apprenez à créer un - Nov 24 2021

web avec wordpress 3e éd apprenez à créer un site web pas à pas par karine warbesson au format pdf sur decitre fr livre wordpress pour les nuls 3e édition ce livre s adresse à

travaux pratiques avec wordpress 3e éd apprenez à créer un - Oct 24 2021

web tlcharger travaux pratiques avec wordpress 3e d travaux pratiques avec wordpress 3e dition internotes cet ouvrage est destiné à toute personne souhaitant apprendre à

travaux pratiques avec wordpress 3e éd apprenez à créer un - Mar 09 2023

web travaux pratiques avec wordpress 3e éd apprenez à créer un site web pas à pas by karine warbesson sauvegardez et sécurisez vos contenus consultez les statistiques ajoutez des widgets et des extensions apprenez à réaliser différents types de site blog portfolio ou boutique en

travaux pratiques avec wordpress 3e éd apprenez à créer un - Jul 13 2023

web travaux pratiques avec wordpress 3e éd apprenez à créer un site web pas à pas by karine warbesson intgration des tic au primaire site du cours edu2027 cefa

travaux pratiques avec wordpress 3e a c d apprene pdf - Oct 04 2022

web 2 travaux pratiques avec wordpress 3e a c d apprene 2021 10 18 motivational methods to help students see value in the curriculum and lessons taught in the

travaux pratiques avec wordpress 3e a c d apprene copy - Jul 01 2022

web travaux pratiques avec wordpress 3e a c d apprene as recognized adventure as without difficulty as experience about lesson amusement as without difficulty as concord can be gotten by just checking out a books travaux pratiques avec wordpress 3e a c d apprene then it is not directly done you could believe even more something like this life

travaux pratiques avec wordpress 3e a c d apprene pdf copy - Jun 12 2023

web travaux pratiques avec wordpress 3e a c d apprene pdf travaux pratiques avec wordpress 3e a c d apprene pdf is available in our digital library an online access to it

travaux pratiques avec wordpress 4e éd amazon fr - Nov 05 2022

web noté 5 retrouvez travaux pratiques avec wordpress 4e éd apprenez à créer un site web pas à pas apprenez à créer un site web pas à pas et des millions de livres en