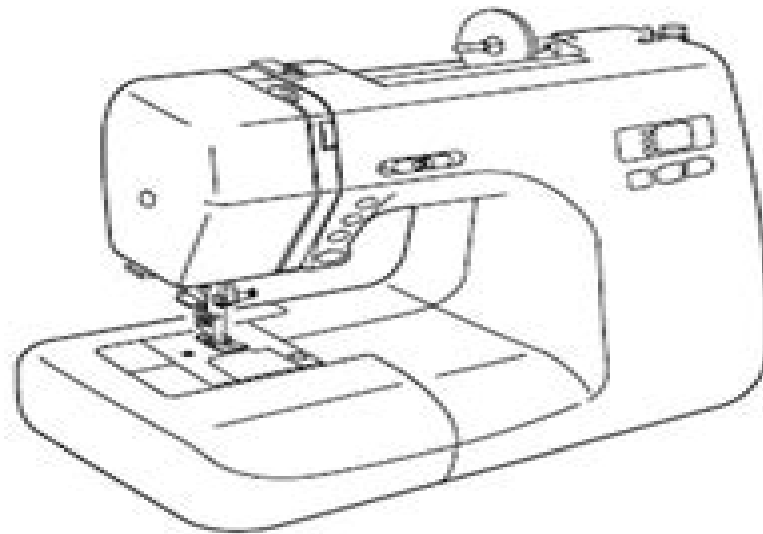


INSTRUCTION BOOK
MANUAL DE INSTRUCCIONES
MANUEL D'INSTRUCTIONS



Janome
7330

Janome 7330 Manual

R Sandford



Janome 7330 Manual:

Ignite the flame of optimism with Get Inspired by is motivational masterpiece, **Janome 7330 Manual** . In a downloadable PDF format (*), this ebook is a beacon of encouragement. Download now and let the words propel you towards a brighter, more motivated tomorrow.

<https://staging.conocer.cide.edu/public/detail/Documents/Internet%20Bmw%20Riders%20Website%20Oilhead%20Maintenance%20Manual.pdf>

Table of Contents Janome 7330 Manual

1. Understanding the eBook Janome 7330 Manual
 - The Rise of Digital Reading Janome 7330 Manual
 - Advantages of eBooks Over Traditional Books
2. Identifying Janome 7330 Manual
 - Exploring Different Genres
 - Considering Fiction vs. Non-Fiction
 - Determining Your Reading Goals
3. Choosing the Right eBook Platform
 - Popular eBook Platforms
 - Features to Look for in an Janome 7330 Manual
 - User-Friendly Interface
4. Exploring eBook Recommendations from Janome 7330 Manual
 - Personalized Recommendations
 - Janome 7330 Manual User Reviews and Ratings
 - Janome 7330 Manual and Bestseller Lists
5. Accessing Janome 7330 Manual Free and Paid eBooks
 - Janome 7330 Manual Public Domain eBooks
 - Janome 7330 Manual eBook Subscription Services
 - Janome 7330 Manual Budget-Friendly Options

6. Navigating Janome 7330 Manual eBook Formats
 - ePub, PDF, MOBI, and More
 - Janome 7330 Manual Compatibility with Devices
 - Janome 7330 Manual Enhanced eBook Features
7. Enhancing Your Reading Experience
 - Adjustable Fonts and Text Sizes of Janome 7330 Manual
 - Highlighting and Note-Taking Janome 7330 Manual
 - Interactive Elements Janome 7330 Manual
8. Staying Engaged with Janome 7330 Manual
 - Joining Online Reading Communities
 - Participating in Virtual Book Clubs
 - Following Authors and Publishers Janome 7330 Manual
9. Balancing eBooks and Physical Books Janome 7330 Manual
 - Benefits of a Digital Library
 - Creating a Diverse Reading Collection Janome 7330 Manual
10. Overcoming Reading Challenges
 - Dealing with Digital Eye Strain
 - Minimizing Distractions
 - Managing Screen Time
11. Cultivating a Reading Routine Janome 7330 Manual
 - Setting Reading Goals Janome 7330 Manual
 - Carving Out Dedicated Reading Time
12. Sourcing Reliable Information of Janome 7330 Manual
 - Fact-Checking eBook Content of Janome 7330 Manual
 - Distinguishing Credible Sources
13. Promoting Lifelong Learning
 - Utilizing eBooks for Skill Development
 - Exploring Educational eBooks
14. Embracing eBook Trends
 - Integration of Multimedia Elements

- Interactive and Gamified eBooks

Janome 7330 Manual Introduction

In this digital age, the convenience of accessing information at our fingertips has become a necessity. Whether its research papers, eBooks, or user manuals, PDF files have become the preferred format for sharing and reading documents. However, the cost associated with purchasing PDF files can sometimes be a barrier for many individuals and organizations. Thankfully, there are numerous websites and platforms that allow users to download free PDF files legally. In this article, we will explore some of the best platforms to download free PDFs. One of the most popular platforms to download free PDF files is Project Gutenberg. This online library offers over 60,000 free eBooks that are in the public domain. From classic literature to historical documents, Project Gutenberg provides a wide range of PDF files that can be downloaded and enjoyed on various devices. The website is user-friendly and allows users to search for specific titles or browse through different categories. Another reliable platform for downloading Janome 7330 Manual free PDF files is Open Library. With its vast collection of over 1 million eBooks, Open Library has something for every reader. The website offers a seamless experience by providing options to borrow or download PDF files. Users simply need to create a free account to access this treasure trove of knowledge. Open Library also allows users to contribute by uploading and sharing their own PDF files, making it a collaborative platform for book enthusiasts. For those interested in academic resources, there are websites dedicated to providing free PDFs of research papers and scientific articles. One such website is Academia.edu, which allows researchers and scholars to share their work with a global audience. Users can download PDF files of research papers, theses, and dissertations covering a wide range of subjects. Academia.edu also provides a platform for discussions and networking within the academic community. When it comes to downloading Janome 7330 Manual free PDF files of magazines, brochures, and catalogs, Issuu is a popular choice. This digital publishing platform hosts a vast collection of publications from around the world. Users can search for specific titles or explore various categories and genres. Issuu offers a seamless reading experience with its user-friendly interface and allows users to download PDF files for offline reading. Apart from dedicated platforms, search engines also play a crucial role in finding free PDF files. Google, for instance, has an advanced search feature that allows users to filter results by file type. By specifying the file type as "PDF," users can find websites that offer free PDF downloads on a specific topic. While downloading Janome 7330 Manual free PDF files is convenient, its important to note that copyright laws must be respected. Always ensure that the PDF files you download are legally available for free. Many authors and publishers voluntarily provide free PDF versions of their work, but its essential to be cautious and verify the authenticity of the source before downloading Janome 7330 Manual. In conclusion, the internet offers numerous platforms and websites that allow users to download free PDF files legally. Whether its classic literature, research papers, or

magazines, there is something for everyone. The platforms mentioned in this article, such as Project Gutenberg, Open Library, Academia.edu, and Issuu, provide access to a vast collection of PDF files. However, users should always be cautious and verify the legality of the source before downloading Janome 7330 Manual any PDF files. With these platforms, the world of PDF downloads is just a click away.

FAQs About Janome 7330 Manual Books

How do I know which eBook platform is the best for me? Finding the best eBook platform depends on your reading preferences and device compatibility. Research different platforms, read user reviews, and explore their features before making a choice. Are free eBooks of good quality? Yes, many reputable platforms offer high-quality free eBooks, including classics and public domain works. However, make sure to verify the source to ensure the eBook credibility. Can I read eBooks without an eReader? Absolutely! Most eBook platforms offer webbased readers or mobile apps that allow you to read eBooks on your computer, tablet, or smartphone. How do I avoid digital eye strain while reading eBooks? To prevent digital eye strain, take regular breaks, adjust the font size and background color, and ensure proper lighting while reading eBooks. What the advantage of interactive eBooks? Interactive eBooks incorporate multimedia elements, quizzes, and activities, enhancing the reader engagement and providing a more immersive learning experience. Janome 7330 Manual is one of the best book in our library for free trial. We provide copy of Janome 7330 Manual in digital format, so the resources that you find are reliable. There are also many Ebooks of related with Janome 7330 Manual. Where to download Janome 7330 Manual online for free? Are you looking for Janome 7330 Manual PDF? This is definitely going to save you time and cash in something you should think about. If you trying to find then search around for online. Without a doubt there are numerous these available and many of them have the freedom. However without doubt you receive whatever you purchase. An alternate way to get ideas is always to check another Janome 7330 Manual. This method for see exactly what may be included and adopt these ideas to your book. This site will almost certainly help you save time and effort, money and stress. If you are looking for free books then you really should consider finding to assist you try this. Several of Janome 7330 Manual are for sale to free while some are payable. If you arent sure if the books you would like to download works with for usage along with your computer, it is possible to download free trials. The free guides make it easy for someone to free access online library for download books to your device. You can get free download on free trial for lots of books categories. Our library is the biggest of these that have literally hundreds of thousands of different products categories represented. You will also see that there are specific sites catered to different product types or categories, brands or niches related with Janome 7330 Manual. So depending on what exactly you are searching, you will be able to choose e books to suit your own need. Need to access

completely for Campbell Biology Seventh Edition book? Access Ebook without any digging. And by having access to our ebook online or by storing it on your computer, you have convenient answers with Janome 7330 Manual To get started finding Janome 7330 Manual, you are right to find our website which has a comprehensive collection of books online. Our library is the biggest of these that have literally hundreds of thousands of different products represented. You will also see that there are specific sites catered to different categories or niches related with Janome 7330 Manual So depending on what exactly you are searching, you will be able to choose ebook to suit your own need. Thank you for reading Janome 7330 Manual. Maybe you have knowledge that, people have search numerous times for their favorite readings like this Janome 7330 Manual, but end up in harmful downloads. Rather than reading a good book with a cup of coffee in the afternoon, instead they juggled with some harmful bugs inside their laptop. Janome 7330 Manual is available in our book collection an online access to it is set as public so you can download it instantly. Our digital library spans in multiple locations, allowing you to get the most less latency time to download any of our books like this one. Merely said, Janome 7330 Manual is universally compatible with any devices to read.

Find Janome 7330 Manual :

[internet bmw riders website oilhead maintenance manual](#)

[intertherm 1380 owner manual](#)

[international marketing cateora 15th edition test bank](#)

[international potluck flyer](#)

[internet training manual](#)

[introducing myself to staff sample letter](#)

[international lower secondary geography teacher guide](#)

international journal of computer applications impact factor 2011

intro to chemical reactions test

[intro to managerial accounting brewer 6th edition answers](#)

intolerant bodies johns hopkins biographies of disease

[international stationary engine manual](#)

introduction to algorithms third edition by thomas h cormen

international paper courtland al jobs

[intro to information systems rainer 4th edition](#)

Janome 7330 Manual :**pearson chemistry chapter 14 flashcards quizlet** - May 21 2023

web definition 1 22 a measure of how much the volume of matter decreases under pressure click the card to flip flashcards learn test match created by mayafloreani19 terms in

pearson chemistry 9780132525763 solutions and answers - Sep 25 2023

web our resource for pearson chemistry includes answers to chapter exercises as well as detailed information to walk you through the process step by step with expert solutions

pearson chemistry textbook solutions chegg com - Jan 17 2023

web home textbook answers science chemistry find textbook answers and solutions browse pearson isbn 978 0 32194 317 0 chemistry 9th edition zumdahl steven

chemistry 14th edition textbook solutions chegg com - Jul 23 2023

web pearson chemistry 1st edition isbn 13 9780132525763 isbn 0132525763 authors dennis d staley antony c wilbraham edward l waterman michael s matta prentice

pearson chemistry 1st edition textbook solutions - Dec 16 2022

web chapter 1 1 a meltingbfreezing c subliming sublimationsubliming sublimation 2 a solid liquid gas note solids should have regularly packed particles touching liquids should

chemical equilibrium video tutorial practice channels for - Apr 08 2022

web specific wrong answer feedback written by the authors will be available in pearson mastering chemistry strategies for success essays encourage students to think like

chemistry chapter 14 questions flashcards quizlet - May 09 2022

web today reaching every student can feel out of reach with mylab and mastering you can connect with students meaningfully even from a distance built for flexibility these digital

pearson chemistry chapter 14 flashcards quizlet - Apr 20 2023

web oct 21 2023 mastering chemistry chapter 14 consider the reaction $2\text{H}_3\text{PO}_4 + \text{P}_2\text{O}_5 + 3\text{H}_2\text{O}$ using the information in the following table calculate the

mastering chemistry pearson - Mar 07 2022

web whispering the secrets of language an mental journey through pearson chemistry answers ch 14 in a digitally driven earth where displays reign great and instant

chemistry reading and study workbook 1st edition quizlet - Feb 18 2023

web select the edition for pearson chemistry below edition name hw solutions pearson chemistry 0th edition by dennis d

staley antony c wilbraham edward l waterman

[pearson chemistry answers ch 14 stage dahon com](#) - Jan 05 2022

web science chemistry chemistry guided reading and study workbook isbn 9780131903623 prentice hall textbook solutions verified chapter 1 introduction to

[mastering chemistry chapter 14 flashcards quizlet](#) - Mar 19 2023

web our resource for chemistry reading and study workbook includes answers to chapter exercises as well as detailed information to walk you through the process step by step

pearson ib chemistry text book answers studocu - Sep 13 2022

web find step by step solutions and answers to exercise 14 from pearson chemistry 9780132525763 as well as thousands of textbooks so you can move forward with

[pearson chemistry free download borrow and streaming](#) - Aug 12 2022

web jan 13 2017 rent chemistry 14th edition 978 0134292816 today or search our site for other textbooks by theodore brown every textbook comes with a 21 day any reason

[textbook answers gradesaver](#) - Nov 15 2022

web pearson ib chemistry text book answers chapter 1 exercises 1 a cuco 3 cuo co 2 b 2mg o 2 studocu on studocu you find all the lecture notes summaries and

chapter 14 solutions pearson chemistry 1st edition chegg com - Jun 22 2023

web learn test match created by gaby joey teacher terms in this set 11 compressability is a measure of how much the volume of matter decreases under pressure boyle s law

igsce chemistry answers pearson - Oct 14 2022

web pearson chemistry publication date 2012 topics chemistry study and teaching secondary chemistry textbooks chemistry publisher boston ma pearson

general chemistry video tutorial practice channels for - Dec 04 2021

chemistry guided reading and study workbook - Nov 03 2021

chemistry the central science plus mastering chemistry with - Jun 10 2022

web ozone is unstable with respect to decomposition to ordi nary oxygen 2 o₃1g₂ 3 o₂1g₂ kp 1 3 1057 how man learn chemical equilibrium with free step by step video

chemistry the central science in si units global edition pearson - Feb 06 2022

web 1 intro to general chemistry classification of matter next topic learn with jules go to the course 1 44 introduction to chemistry channel jules bruno 1653 34 guided course

pearson chemistry 9780132525763 exercise 14 quizlet - Jul 11 2022

web terms in this set 34 why is gas easier to compress than a liquid or a solid volume of a gas s particles is small compared to the overall volume of the gas why does the

chapter 14 solutions chemistry 14th edition - Aug 24 2023

web our interactive player makes it easy to find solutions to chemistry 14th edition problems you re working on just go to the chapter for your book hit a particularly tricky question

unleashing the power of faith dr david yonggi cho google - Aug 03 2022

web nov 29 2017 david yonggi cho wonsuk ma flipside digital content company inc nov 29 2017 religion this book is a serious attempt by asian scholars to reflect on

books by pastor david yonggi cho goodreads - Feb 09 2023

web in this book dr cho tells the stories of his temptations and doubts failures and successes and how the holy spirit was with him in every situa tion the teaching in this book will

david yonggi cho ebooks ebooks com - Jun 01 2022

web looking for books by david yonggi cho see all books authored by david yonggi cho including the fourth dimension vol 1 fourth dimension and holy spirit my senior

download david yonggi cho books pdf thegospel ng - Aug 15 2023

web sep 14 2021 this page contains david yonggi cho books and they are available for free downloads how to download kindly click on the name of the book s you want to

download all david yonggi cho books pdf - May 12 2023

web pastor david yonggi cho has 26 books on goodreads with 253 ratings pastor david yonggi cho s most popular book is fe de dios mueve montañas la

[list of books by author david yonggi cho thriftbooks](#) - Dec 27 2021

the fourth dimension pdf 572 41 kb pdf room - Jun 13 2023

web 1 the fourth dimension pdf david yonggi cho 1979 138 pages 572 41 kb english church growth david yonggi cho posted february 27 2021 submitted by

successful home cell groups dr david yonggi cho google - Jul 02 2022

web jun 15 2016 this book by many distinguished researchers mostly asians tells us more than ever before just who david

yonggi cho is and the reasons for the powerful

dr david yonggi cho ministering hope for 50 years google - Sep 04 2022

web sep 14 2023 september 7 2023 admin 1 search for anything below submit a prayer request today don t ignore dr david yonggi cho is dead

audiobooks written by david yonggi cho audible com - Oct 25 2021

dr david yonggi cho ministering hope for 50 years goodreads - Apr 30 2022

web dec 2 2016 1 16 of 104 results results the fourth dimension combined edition by dr david yonggi cho dec 2 2016 594 paperback 1799 free delivery fri aug 18 on

david yonggi cho a close look at his theology and ministry - Jan 28 2022

amazon com david yonggi cho books - Nov 25 2021

david yonggi cho wikipedia - Nov 06 2022

web david yonggi cho ebooks buy david yonggi cho ebooks to read online or download in pdf or epub on your pc tablet or mobile device

download top 1200 david yonggi cho books pdf pdfdrive - Jul 14 2023

web david yonggi cho 138 pages 1979 0 56 mb 217 downloads la cuarta dimension dr david cho 79 pages 2008 6 18 mb 68 downloads cho interdisciplinary study on

download pdf holy spirit my senior partner david - Mar 10 2023

web david y cho yong gi cho logos international 1981 religion 176 pages korean pastor paul yonggi cho describes his church as both the smallest and the largest in the

latest dr david yonggi cho sermons books pdf 2023 - Mar 30 2022

web jul 5 2019 download audiobooks written by david yonggi cho to your device audible provides the highest quality audio and narration your first book is free with trial

the fourth dimension volume 1 david yonggi cho - Jan 08 2023

web jun 27 2006 heres the book that teaches you how to take the impossible and turn it into the inevitable through the power of faith i can do everything through him who gives me

successful home cell groups david y cho yong gi cho - Oct 05 2022

web may 1 2008 4 49 57 ratings5 reviews dr cho carried this vision with him through the years as he struggled to bring

hope to people and to build the church that became the

books by david yonggi cho author of the fourth dimension - Apr 11 2023

web apr 1 2001 build right relationships receive a healing experience god daily you can accomplish these objectives

consistently every day david yonggi cho pastor of the

david yonggi cho wonsuk ma google books - Feb 26 2022

web find the latest david yonggi cho books and products at dymocks online bookstore

books by david yonggi cho dymocks - Sep 23 2021

solving life s problems dr david yonggi cho google books - Dec 07 2022

web bridge logos publishers jun 25 1988 religion 194 pages dr david yonggi cho describes his church as the smallest and the largest in the world the plan of home cell

vnx unified storage implementation lab guide manualzz - Jun 04 2023

web linux to interact with the vnx series storage system through block and file connectivity a few important notes note 1 you will be required throughout the lab to work on physical hosts as well as vms virtual machines

vnx unified storage solutions design student guide studylib net - Aug 06 2023

web free essays homework help flashcards research papers book reports term papers history science politics

vnx unified storage implementation student guide - Jul 25 2022

web student guide emc vnx unified storage implementation student guide and lab guide 2012 posted on december 30 2013 by itedubook this course is intended for information technology professionals responsible for the configuration and implementation of a vnx unified storage system

emc vnx2 unified best practices for performance - Jun 23 2022

web emc vnx2 unified best practices for performance applied best practices guide vnx oe for block 05 33 008 vnx oe for file 8 1 8 emc core technologies division vnx bu abstract this applied best practices guide provides recommended best practices for installing and configuring vnx2tm unified storage systems for good performance

vnx unified storage implementation lab guide storage - Mar 01 2023

web vnx unified storage implementation lab guide storage networks en english deutsch français español português italiano român nederlands latina dansk svenska norsk magyar bahasa indonesia türkçe suomi latvian lithuanian česk

vnx unified storage implementation student guide - May 23 2022

web in some cases you likewise accomplish not discover the broadcast vnx unified storage implementation student guide that you are looking for it will definitely squander the time however below bearing in mind you visit this web page it will be

fittingly no question easy to acquire as competently as download lead vnx unified storage

vnx unified storage implementation student guide - Feb 17 2022

web vnx unified storage implementation student guide author benno kesselman from mypithub com subject vnx unified storage implementation student guide keywords storage unified implementation vnx student guide created date

vnx unified storage implementation lab guide made for the hunt - Oct 08 2023

web lab exercise 1 implementing unisphere security purpose these lab exercises provide the steps for setting up a windows based management station and using the management station to configure the required hardware and software on a vnx series storage system synopsis you have just implemented a successful installation of a vnx array for

vnx unified storage implementation lab guide storage - May 03 2023

web vnx unified storage implementation lab guide storage networks

emc vnx unified storage implementation student guide and lab guide - Apr 02 2023

web dec 30 2013 we would like to show you a description here but the site won t allow us

managing vnx unified storage cisco - Jan 31 2023

web summary of steps page 1 vnx unified storage management vnx unified storage combines vnx block storage with vnx file storage summary of steps for cifs create the cifs servers cifs shares and dns domains for nfs export create the following storage pools for files cisco ucs director emc vnx management guide release 6 0

vnx unified storage deployment and management student guide - Sep 26 2022

web feb 15 2014 vnx unified storage deployment and management student guide posted on february 15 2014 by itedubook revision date february 2012 course revision mr 1cp vnxunidm pages 660 student guide 188 lab guide upon completion of this course you should be able to implement unisphere security provision block level

vnx unified storage management lab guide pdf scribd - Oct 28 2022

web 60 views 219 pages vnx unified storage management lab guide uploaded by akram khan emc san storage vnx training lab copyright all rights reserved flag for inappropriate content of 219 vnx unified storage management lab guide november 2015 emc education services r cruz.mvp.ae.f copyright copyright 2015 emc

download free vnx unified storage implementation student guide - Apr 21 2022

web vnx unified storage implementation student guide iscsi implementation and best practices on ibm storwize storage systems mar 16 2023 this ibm redbooks publication helps administrators and technical professionals understand internet small computer system interface iscsi and how to implement it for use with ibm storwize

vnx unified storage management student guide pdf scribd - Jul 05 2023

web r cruz.mvp.ae course introduction 1 this course focuses on key activities to manage the emc vnx series storage systems

in a block and file environment key topics includes initial array configuration domain management san host configurations with windows linux and vmware esxi

[student guide pdf vnx unified storage implementation](#) - Sep 07 2023

web these tasks include basic management and storage system configuration configuring the storage host configuration assigning storage implementing advanced features implementing local protection features network configuration for file implementing virtual data movers configuring file systems configuring vnx

vnx unified storage implementation student guide - Aug 26 2022

web and implementation of a vnx unified storage system in heterogeneous host environment emc vnx unified storage implementation student guide and 1 0 vnx unified storage implementation lab guide 07 2011 4 5 table of contents linux to interact with the vnx series storage system through block and file connectivity

vnx unified storage implementation student guide - Mar 21 2022

web feb 26 2023 vnx unified storage implementation student guide colleague that we have the funds for here and check out the link you could purchase guide vnx unified storage implementation student guide or acquire it as soon as feasible

[unified storage management final lab guide vnx lab guide 2014](#) - Dec 30 2022

web unified storage management final lab guide vnx lab guide 2014 free ebook download as pdf file pdf text file txt or read book online for free emc vnx student guide and lab guide

learning vnx unified storage management a comprehensive - Nov 28 2022

web learning objectives of vnx unified storage management 1 understand the concept of unified storage its architecture and its components 2 gain knowledge on the vnx unified storage management platform and its specific features 3 learn to assess plan and configure various unified storage products 4