

[Icons]

13

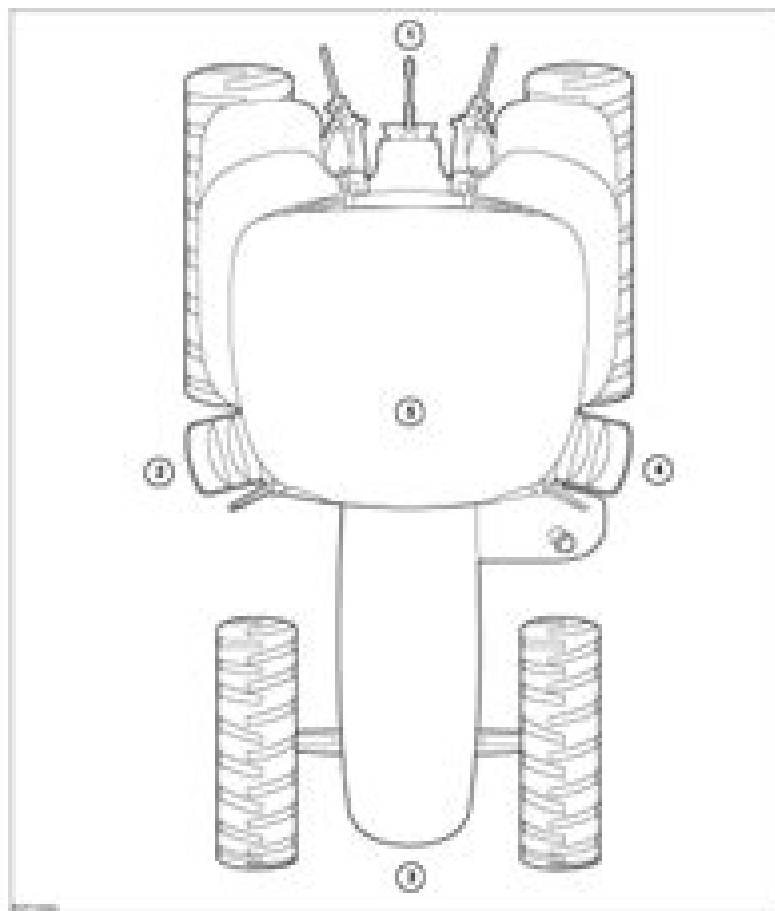
14

15

[Icons]

TRACTOR INSTALLATION

5 POINT PLAN



Maxxum 95 Operators Manual

SJ Ball



Maxxum 95 Operators Manual:

This is likewise one of the factors by obtaining the soft documents of this **Maxxum 95 Operators Manual** by online. You might not require more grow old to spend to go to the ebook commencement as skillfully as search for them. In some cases, you likewise get not discover the message Maxxum 95 Operators Manual that you are looking for. It will agreed squander the time.

However below, similar to you visit this web page, it will be thus categorically easy to acquire as skillfully as download guide Maxxum 95 Operators Manual

It will not say yes many era as we tell before. You can attain it while pretense something else at house and even in your workplace. for that reason easy! So, are you question? Just exercise just what we pay for below as competently as evaluation **Maxxum 95 Operators Manual** what you taking into account to read!

<https://staging.conocer.cide.edu/public/scholarship/fetch.php/International%20Space%20Law.pdf>

Table of Contents Maxxum 95 Operators Manual

1. Understanding the eBook Maxxum 95 Operators Manual
 - The Rise of Digital Reading Maxxum 95 Operators Manual
 - Advantages of eBooks Over Traditional Books
2. Identifying Maxxum 95 Operators Manual
 - Exploring Different Genres
 - Considering Fiction vs. Non-Fiction
 - Determining Your Reading Goals
3. Choosing the Right eBook Platform
 - Popular eBook Platforms
 - Features to Look for in an Maxxum 95 Operators Manual
 - User-Friendly Interface
4. Exploring eBook Recommendations from Maxxum 95 Operators Manual

- Personalized Recommendations
 - Maxxum 95 Operators Manual User Reviews and Ratings
 - Maxxum 95 Operators Manual and Bestseller Lists
5. Accessing Maxxum 95 Operators Manual Free and Paid eBooks
 - Maxxum 95 Operators Manual Public Domain eBooks
 - Maxxum 95 Operators Manual eBook Subscription Services
 - Maxxum 95 Operators Manual Budget-Friendly Options
 6. Navigating Maxxum 95 Operators Manual eBook Formats
 - ePub, PDF, MOBI, and More
 - Maxxum 95 Operators Manual Compatibility with Devices
 - Maxxum 95 Operators Manual Enhanced eBook Features
 7. Enhancing Your Reading Experience
 - Adjustable Fonts and Text Sizes of Maxxum 95 Operators Manual
 - Highlighting and Note-Taking Maxxum 95 Operators Manual
 - Interactive Elements Maxxum 95 Operators Manual
 8. Staying Engaged with Maxxum 95 Operators Manual
 - Joining Online Reading Communities
 - Participating in Virtual Book Clubs
 - Following Authors and Publishers Maxxum 95 Operators Manual
 9. Balancing eBooks and Physical Books Maxxum 95 Operators Manual
 - Benefits of a Digital Library
 - Creating a Diverse Reading Collection Maxxum 95 Operators Manual
 10. Overcoming Reading Challenges
 - Dealing with Digital Eye Strain
 - Minimizing Distractions
 - Managing Screen Time
 11. Cultivating a Reading Routine Maxxum 95 Operators Manual
 - Setting Reading Goals Maxxum 95 Operators Manual
 - Carving Out Dedicated Reading Time
 12. Sourcing Reliable Information of Maxxum 95 Operators Manual

- Fact-Checking eBook Content of Maxxum 95 Operators Manual
 - Distinguishing Credible Sources
13. Promoting Lifelong Learning
- Utilizing eBooks for Skill Development
 - Exploring Educational eBooks
14. Embracing eBook Trends
- Integration of Multimedia Elements
 - Interactive and Gamified eBooks

Maxxum 95 Operators Manual Introduction

Maxxum 95 Operators Manual Offers over 60,000 free eBooks, including many classics that are in the public domain. Open Library: Provides access to over 1 million free eBooks, including classic literature and contemporary works. Maxxum 95 Operators Manual Offers a vast collection of books, some of which are available for free as PDF downloads, particularly older books in the public domain. Maxxum 95 Operators Manual : This website hosts a vast collection of scientific articles, books, and textbooks. While it operates in a legal gray area due to copyright issues, its a popular resource for finding various publications. Internet Archive for Maxxum 95 Operators Manual : Has an extensive collection of digital content, including books, articles, videos, and more. It has a massive library of free downloadable books. Free-eBooks Maxxum 95 Operators Manual Offers a diverse range of free eBooks across various genres. Maxxum 95 Operators Manual Focuses mainly on educational books, textbooks, and business books. It offers free PDF downloads for educational purposes. Maxxum 95 Operators Manual Provides a large selection of free eBooks in different genres, which are available for download in various formats, including PDF. Finding specific Maxxum 95 Operators Manual, especially related to Maxxum 95 Operators Manual, might be challenging as theyre often artistic creations rather than practical blueprints. However, you can explore the following steps to search for or create your own Online Searches: Look for websites, forums, or blogs dedicated to Maxxum 95 Operators Manual, Sometimes enthusiasts share their designs or concepts in PDF format. Books and Magazines Some Maxxum 95 Operators Manual books or magazines might include. Look for these in online stores or libraries. Remember that while Maxxum 95 Operators Manual, sharing copyrighted material without permission is not legal. Always ensure youre either creating your own or obtaining them from legitimate sources that allow sharing and downloading. Library Check if your local library offers eBook lending services. Many libraries have digital catalogs where you can borrow Maxxum 95 Operators Manual eBooks for free, including popular titles. Online Retailers: Websites like Amazon, Google Books, or Apple Books often sell eBooks. Sometimes, authors or publishers offer promotions or free periods for certain books. Authors Website

Occasionally, authors provide excerpts or short stories for free on their websites. While this might not be the Maxxum 95 Operators Manual full book, it can give you a taste of the authors writing style. Subscription Services Platforms like Kindle Unlimited or Scribd offer subscription-based access to a wide range of Maxxum 95 Operators Manual eBooks, including some popular titles.

FAQs About Maxxum 95 Operators Manual Books

1. Where can I buy Maxxum 95 Operators Manual books? Bookstores: Physical bookstores like Barnes & Noble, Waterstones, and independent local stores. Online Retailers: Amazon, Book Depository, and various online bookstores offer a wide range of books in physical and digital formats.
2. What are the different book formats available? Hardcover: Sturdy and durable, usually more expensive. Paperback: Cheaper, lighter, and more portable than hardcovers. E-books: Digital books available for e-readers like Kindle or software like Apple Books, Kindle, and Google Play Books.
3. How do I choose a Maxxum 95 Operators Manual book to read? Genres: Consider the genre you enjoy (fiction, non-fiction, mystery, sci-fi, etc.). Recommendations: Ask friends, join book clubs, or explore online reviews and recommendations. Author: If you like a particular author, you might enjoy more of their work.
4. How do I take care of Maxxum 95 Operators Manual books? Storage: Keep them away from direct sunlight and in a dry environment. Handling: Avoid folding pages, use bookmarks, and handle them with clean hands. Cleaning: Gently dust the covers and pages occasionally.
5. Can I borrow books without buying them? Public Libraries: Local libraries offer a wide range of books for borrowing. Book Swaps: Community book exchanges or online platforms where people exchange books.
6. How can I track my reading progress or manage my book collection? Book Tracking Apps: Goodreads, LibraryThing, and Book Catalogue are popular apps for tracking your reading progress and managing book collections. Spreadsheets: You can create your own spreadsheet to track books read, ratings, and other details.
7. What are Maxxum 95 Operators Manual audiobooks, and where can I find them? Audiobooks: Audio recordings of books, perfect for listening while commuting or multitasking. Platforms: Audible, LibriVox, and Google Play Books offer a wide selection of audiobooks.
8. How do I support authors or the book industry? Buy Books: Purchase books from authors or independent bookstores. Reviews: Leave reviews on platforms like Goodreads or Amazon. Promotion: Share your favorite books on social media

or recommend them to friends.

9. Are there book clubs or reading communities I can join? Local Clubs: Check for local book clubs in libraries or community centers. Online Communities: Platforms like Goodreads have virtual book clubs and discussion groups.
10. Can I read Maxxum 95 Operators Manual books for free? Public Domain Books: Many classic books are available for free as they're in the public domain. Free E-books: Some websites offer free e-books legally, like Project Gutenberg or Open Library.

Find Maxxum 95 Operators Manual :

international space law.

interracial bonds

internet marketing with webcard 2nd edition

international trade by bhagwati 2nd edition selected readings

intersexions issues of race and gender in canadian womens writing creative new literatures series

interpreting u. s.-china-taiwan relations

intimate nature the bond between women and animals

interpreting culture in a scottish congregation

international travel health guide 1991

into the inferno thorndike press large print basic series large print...

into the dream bk. 4 the secret of the unicorn queen

interrogations of japanese officials vol

interventions in ethics s u n y series in ethical theory

international priests in america challenges and opportunities

interview with god

Maxxum 95 Operators Manual :

die kleine schlafschule wege zum guten schlaf erste hilfen - Jan 05 2023

web wege zum guten schlaf erste hilfen band 9 jürgen zullej barbara knab isbn 9783863212841 kostenloser versand für alle bücher mit versand und verkauf duch amazon die kleine schlafschule wege zum guten schlaf erste hilfen band 9 jürgen zullej barbara knab amazon de bücher zum hauptinhalt wechseln de hallo

die kleine schlafschule wege zum guten schlaf google books - Aug 12 2023

web jan 21 2016 bibliographic information schlafschule wozu denn das schließlich kann jedes neugeborene schlafen und überhaupt sind nicht heute alle stolz darauf wenn sie wenig schlafen für nutzlos

die kleine schlafschule wege zum guten schlaf softcover - May 29 2022

web die kleine schlafschule wege zum guten schlaf beim zvb com isbn 10 3451052598 isbn 13 9783451052590 herder freiburg softcover

kleine schlafschule wege guten zvb - Jul 31 2022

web die kleine schlafschule wege zum guten schlaf herder spektrum von zulle jürgen knab barbara und eine große auswahl ähnlicher bücher kunst und sammlerstücke erhältlich auf zvb com

die kleine schlafschule j zulle b knab issuu - Oct 02 2022

web jan 12 2016 wege zum guten schlaf erste mabuse verlag hilfen mabuse verlag die kleine schlafschule isbn 978 3 86321 284 1 jürgen zulle barbara knab jürgen zulle barbara knab

die kleine schlafschule wege zum guten schlaf her copy - Feb 23 2022

web die kleine schlafschule wege zum guten schlaf her kroatien tritt schengen raum bei bulgarien und rumänien von der standard sep 28 2015 kroatien tritt schengen raum bei bulgarien und rumänien von der standard chinas weg fr de dec 29 2020 chinas weg fr de polestar 2 single und dual motor im test reichweite preis

free die kleine schlafschule wege zum guten schlaf her - Mar 27 2022

web die kleine schlafschule wege zum guten schlaf her leistungsfähigkeit im betrieb aug 16 2022 dieses kompendium dient als praxisgerechte orientierungshilfe für die verantwortlichen in unternehmen die sich mit den auswirkungen des demografischen wandels beschäftigen das

die kleine schlafschule wege zum guten schlaf her pdf - Apr 27 2022

web apr 27 2023 die kleine schlafschule wege zum guten schlaf her 1 6 downloaded from uniport edu ng on april 27 2023 by guest die kleine schlafschule wege zum guten schlaf her yeah reviewing a books die kleine schlafschule wege zum guten schlaf her could grow your near connections listings this is just one of the solutions for you to be

die kleine schlafschule wege zum guten schlaf her copy - Jun 29 2022

web die kleine schlafschule wege zum guten schlaf her downloaded from ftp dartgo org by guest gloria khan kind und jugendlicher auf dem lande springer science business media jeder kann seine schlafqualität mit einfachen und sanften schlafherzeugenden Übungen deutlich verbessern aber der schlaf kann nicht kommen wenn man ihm

die kleine schlafschule wege zum guten schlaf herder - Jun 10 2023

web die kleine schlafschule wege zum guten schlaf herder spektrum zulle jürgen isbn 9783451062841 kostenloser versand

für alle bücher mit versand und verkauf duch amazon

die kleine schlafschule wege zum guten schlaf her pdf - Sep 13 2023

web wer richtig reagieren will dem hilft die schlafschule mit fundiertem hintergrundwissen aktuellen wissenschaftlichen erkenntnissen und praktischen tipps verzeichnis lieferbarer bücher aug 25 2021

die kleine schlafschule ebook online kaufen herder de - Feb 06 2023

web gut schlafen kann man wieder lernen ausgeschlafene haben die besseren karten doch nur zwei von drei erwachsenen schlafen gut schlechter schlaf hat viele gründe sie kennen heißt die wege kennen die die nacht erfreulich machen und den tag gleich mit diese wege zeigt das buch locker praktisch und fundiert

die kleine schlafschule wege zum guten schlaf her book - Mar 07 2023

web die kleine schlafschule wege zum guten schlaf her das gutenachtbuch aug 22 2022 besser schlafen besser leben jun 07 2021 guter schlaf ist du schläfst nach 5 minuten ein hast schöne träume schläfst durch und wachst nach 6 8 stunden mit sonnenschein im kopf entspanntem

die kleine schlafschule wege zum guten schlaf google books - Jul 11 2023

web nur zwei von drei erwachsenen schlafen gut aber es gibt wege die die nacht wieder erfreulich machen und den tag gleich mit diese wege weisen die bekannten schlafforscher locker praktisch und fundiert mit fragebogen zur selbsteinschätzung

die kleine schlafschule wege zum guten schlaf bücher de - Dec 04 2022

web aug 27 2002 woran man behandlungsbedürftige schlafstörungen erkennt wie man dem teufelskreis des gestörten schlafes entkommt wie man günstige bedingungen für guten schlaf schafft also schlafhygiene betreibt wann und vor allem wann nicht schlaffördernde medikamente nötig sind alles das erklärt die kleine

die kleine schlafschule wege zum guten schlaf google books - Apr 08 2023

web schlafschule wozu denn das schließlich kann jedes neugeborene schlafen und überhaupt sind nicht heute alle stolz darauf wenn sie wenig schlafen für nutzlos und unproduktiv wird

die kleine schlafschule wege zum guten schlaf google books - May 09 2023

web schlafschule wozu denn das schließlich kann jedes neugeborene schlafen und überhaupt sind nicht heute alle stolz darauf wenn sie wenig schlafen für nutzlos und unproduktiv wird schlaf oft gehalten für verschlafene zeit eben das ist ein irrtum und schlafgestörte können ein lied davon singen

die kleine schlafschule wege zum guten schlaf herder - Oct 14 2023

web die kleine schlafschule wege zum guten schlaf herder spektrum taschenbuch 10 juli 2002 von jürgen zulley autor vorwort barbara knab autor vorwort 2 5 3 sternbewertungen alle formate und editionen anzeigen taschenbuch 1 98 12

gebraucht ab 1 98 leistung zählt da haben ausgeschlafene die besten karten

die kleine schlafschule on apple books - Nov 03 2022

web dec 21 2015 schlafschule wozu denn das schließlich kann jedes neugeborene schlafen und überhaupt sind nicht heute alle stolz darauf wenn sie wenig schlafen für nutzlos und unproduktiv wird schlaf oft gehalten für verschlafene zeit eben das ist ein irrtum und schlafgestörte können ein lied davon singen

die kleine schlafschule wege zum guten schlaf her hermann - Sep 01 2022

web concept of death to children aged 3 written in alex s own words it is based on the real life conversations that elke barber had with her then three year old son alex after the sudden death of his father the book provides reassurance and understanding to readers through clear and honest answers to the difficult questions that can follow the

dizionario bilingue italiano cane cane italiano 150 parole per - Aug 02 2023

web dizionario bilingue italiano cane cane italiano 150 parole per imparare a parlare cane correntemente copertina rigida 14 ottobre 2021 nuova edizione aggiornata e ampliata su legislazione spese veterinarie e vantaggi fiscali con una riflessione sulla possibilità di inserire i diritti animali nella costituzione

dizionario bilingue italiano cane cane italiano libro - Mar 17 2022

web dizionario bilingue italiano cane cane italiano libro 150 parole per imparare a parlare cane correttamente jean cuvelier roberto marchesini nuova edizione 9 recensioni quantità disponibile solo 2 disponibili affrettati disponibilità immediata ordina entro 22 ore 41 minuti venerdì 6 ottobre guadagna punti 15

dizionario bilingue italiano cane cane italiano overdrive - Feb 25 2023

web jun 20 2014 nasce per questo il primo e unico dizionario bilingue per cani e i loro conviventi umani vengono passati in rassegna e decodificati tutti i comportamenti e le situazioni della vita quotidiana lato umano e lato cane

dizionario bilingue italiano cane cane italiano 150 parole per - Oct 24 2022

web compre online dizionario bilingue italiano cane cane italiano 150 parole per imparare a parlare cane correntemente de cuvelier jean besse christophe marchesini roberto debernardi simona na amazon frete grátis em milhares de produtos com o amazon prime encontre diversos livros em inglês e outras línguas com ótimos preços

dizionario bilingue cane italiano ediciclo editore s r l - Dec 14 2021

web questo dizionario speciale il primo e il più ricco ci spiega come interpretare tutti i comportamenti e le situazioni della vita quotidiana con un amico a quattro zampe dalla a alla z abbaiare colpo di calore marcatura territorialità per una convivenza serena e

dizionario bilingue italiano cane e cane italiano - Jun 19 2022

web jul 23 2021 150 parole per imparare a parlare cane correntemente cari amici a due zampe dopo il dizionario bilingue

gatto italiano vi propongo il dizionario cane italiano dedicato ai pelosi che
dizionario bilingue italiano cane e cane italiano 150 parole per - Sep 22 2022

web acquista dizionario bilingue italiano cane e cane italiano 150 parole per imparare a parlare cane correntemente su
libreria universitaria spedizione gratuita sopra i 25 euro su libreria universitaria
dizionario bilingue italiano cane e cane italiano 150 parole per - Mar 29 2023

web dizionario bilingue italiano cane e cane italiano 150 parole per imparare a parlare cane correntemente è un libro di jean
cuvelier pubblicato da sonda nella collana dizionari acquista su lafeltrinelli a 14 16

cane - Aug 22 2022

web cane¹ cane1 cane1 s m f cagna v lat canis 1 mammifero domestico della famiglia dei canidi canis lupus con pelo più o
meno folto e di vario colore dimensioni e caratteristiche diverse a seconda attitudini cani da caccia distinti in c da ferma da
cerca da riporto da seguito tra i quali il bloodhound o limiere o cane di sant uberto il

dizionario bilingue italiano cane e cane italiano 150 parole per - Oct 04 2023

web descrizione oltre 7 milioni di cani vivono nelle nostre case eppure spesso abbiamo difficoltà a comprendere le reali
esigenze del nostro amico peloso a capirlo e a farci capire nasce per questo il primo dizionario bilingue per cani e per i loro
conviventi umani

dizionario bilingue italiano cane ediciclo editore s r l - Jul 21 2022

web questo dizionario speciale il primo e il più ricco ci spiega come interpretare tutti i comportamenti e le situazioni della
vita quotidiana con un amico a quattro zampe dalla a alla z abbaiare colpo di calore marcatura territorialità

dizionario bilingue italiano cane cane italiano 150 parole per - Apr 17 2022

web acquista dizionario bilingue italiano cane cane italiano 150 parole per imparare a parlare cane correntemente su libreria
universitaria spedizione gratuita sopra i 25 euro su libreria universitaria

dizionario bilingue italiano cane cane italiano 150 parole per - May 19 2022

web dizionario bilingue italiano cane cane italiano 150 parole per imparare a parlare cane correntemente 1 ed 360 pagg 100
ill edizioni sonda febbraio 2010 prezzo di copertina

dizionario bilingue italiano cane e cane italiano pdf uniport edu - Jan 15 2022

web sep 30 2023 dizionario bilingue italiano cane e cane italiano 3 11 downloaded from uniport edu ng on september 30
2023 by guest tutto inglese un dizionario completo una grammatica essenziale ediz bilingue 2010 home prepared dog and cat
diets donald r strombeck 1999 03 22 with an eye to the long term health

dizionario bilingue italiano cane e cane italiano 150 parole per - Apr 29 2023

web dizionario bilingue italiano cane e cane italiano 150 parole per imparare a parlare cane correntemente è un libro di jean

cuvelier pubblicato da sonda nella collana dizionari acquista su lafeltrinelli a 9 40

dizionario bilingue italiano cane e cane italiano 150 parole per - May 31 2023

web dizionario bilingue italiano cane e cane italiano 150 parole per imparare a parlare cane correntemente cuvelier jean besse c debernardi simona amazon com au books

dizionario bilingue italiano cane e cane italiano 150 parole per - Sep 03 2023

web dizionario bilingue italiano cane cane italiano 150 parole per imparare a parlare cane correntemente 14 15 disponibilità immediata oltre 7 milioni di cani vivono nelle nostre case eppure spesso abbiamo difficoltà a comprendere le reali esigenze del nostro amico peloso a capirlo e a farci capire

marchesini dizionario bilingue italiano cane cane italiano 2008 - Nov 24 2022

web le edizioni larousse hanno avuto l'idea di realizzare questo dizionario pratico della lingua del cane decryptando oltre 150 situazioni tipo del comportamento canino attraverso delle parole chiave relative alla vita di tutti i giorni tutte attentamente selezionate e classificate dalla a alla z ideato in collaborazione con il dottor jean

dizionario bilingue italiano cane cane italiano 150 parole per - Jan 27 2023

web dizionario bilingue italiano cane cane italiano 150 parole per imparare a parlare cane correntemente formato kindle di roberto marchesini autore formato formato kindle 172 voti visualizza tutti i formati ed edizioni formato kindle 0 00 questo e oltre 1 milione di titoli disponibili con kindle unlimited 4 99 per l'acquisto copertina rigida

dizionario bilingue italiano cane cane italiano edizioni sonda - Jul 01 2023

web dizionario bilingue italiano cane cane italiano 150 parole per imparare a parlare cane isbn 9788872241585 pagine 360 a due colori

dizionario bilingue italiano cane cane italiano 150 parole per - Dec 26 2022

web jun 20 2014 dizionario bilingue italiano cane cane italiano 150 parole per imparare a parlare cane correntemente

dizionario bilingue italiano cane e cane italiano pdf - Feb 13 2022

web italiano cane e cane italiano in a global inundated with displays and the cacophony of quick conversation the profound energy and emotional resonance of verbal beauty usually diminish into obscurity eclipsed by the constant assault of noise and distractions however set within the musical pages of dizionario bilingue italiano cane e

santillana - Mar 10 2023

web déjate guiar y conoce todo lo que te ofrece santillana para cada nivel educativo y área de enseñanza o filtra en el buscador avanzado volver al listado solicitar ayuda premedia 9 grado lengua y literatura 9 método puentes del saber ver índice ver catálogo isbn 9789962014942 ver catálogo ver índice lengua y literatura 9

libros digitales santillana recursos virtuales online - Apr 11 2023

web digitales propuestas para enriquecer la enseñanza contenidos y recursos pensados para ofrecerte el mejor servicio y calidad en el aula santillana pone a tu disposición el contenido didáctico de manera interactiva y atractiva para despertar la curiosidad de tus alumnos y su interés por explorar y seguir aprendiendo

español 9 se gobierna - Jul 14 2023

web la guía para el docente de español 9 para noveno grado de tercer ciclo de educación básica es una obra colectiva concebida creada y diseñada en el departamento editorial de santillana con la dirección de claudia eleonora noriega castillo por el siguiente equipo maría elena banegas umanzor coordinación editorial

santillana - May 12 2023

web santillana pone a tu disposición el contenido didáctico de manera interactiva y atractiva para despertar la curiosidad de tus alumnos y su interés por explorar y seguir aprendiendo manejo fácil e intuitivo adaptado a los alumnos se visualiza desde aula virtual moodle virtus o blink todas las asignaturas de primaria secundaria y fp

santillana noveno grado español book - Dec 27 2021

web propuesta metodológica para el currículo del área de español grado noveno del colegio nacional académico en un ambiente de aprendizaje mediado por las tic jul 08 2020

editorial santillana libros de texto proyectos y materiales - Nov 06 2022

web santillana es tu editorial de libros de texto líder en proyectos educativos y recursos para docentes educación infantil primaria eso bachillerato y fp entra

guía del docente español 9 todos juntos isbn 978 99979 60 - Apr 30 2022

web el impreso guía del docente español 9 todos juntos ha sido registrado con el isbn 978 99979 60 03 0 en la agencia isbn de honduras este impreso ha sido publicado por editorial santillana en el año 2018 en la ciudad de tegucigalpa en honduras

español 9 docente - Feb 26 2022

web la guía para el docente de español 9 para noveno grado de tercer ciclo de educación básica es una obra colectiva concebida creada y diseñada en el departamento editorial de santillana con la dirección de claudia eleonora noriega castillo por el siguiente equipo maría elena banegas umanzor coordinación editorial silvia lorena lanza

secretaría de educación - Dec 07 2022

web secretaría de educación

libro hipertexto lenguaje y literatura 9 grado santillana - Aug 15 2023

web sep 6 2021 libro hipertexto de lenguaje y literatura 9 grado santillana pdf si hasta el momento has tenido inconvenientes para descargar el libro hipertexto de lenguaje y literatura de 9 grado de la editorial santillana en su formato pdf no te preocupes por estás en el lugar correcto

[santillana inicio](#) - Jan 28 2022

web pizarra santillana 2 0 suscríbete a nuestra revista y recibe valiosa información sobre educación y pedagogía serie enlace libros que te vinculan con la vida con tu cotidianidad con tu entorno recursos impresos y digitales que te invitan a comprender las conexiones que hay entre los conocimientos y saberes entre sí y con el mundo real

vamos a aprender lenguaje 9 libro del estudiante anyflip - Jun 13 2023

web vamos a aprender lenguaje 9 libro del estudiante

[santillana español 9 pdf pdf prof](#) - Sep 04 2022

web la guía para el docente de español 9 para noveno grado de tercer ciclo de educación editorial de santillana con la dirección de claudia eleonora noriega castillo por el siguiente equipo 189 file ortografia pdf página del pdf español 9

santillana latinoamérica editorial y servicios educativos - Jun 01 2022

web mar 30 2011 santillana es la compañía líder en américa latina en la creación de contenidos y servicios educativos argentina santillana com ar bolivia santillana com bo el evento que este año lleva por título colegios a prueba de futuro comenzará el próximo 20 de septiembre leer más

santillana español 9 respuestas pdf prof - Jul 02 2022

web la guía para el docente de español 9 para noveno grado de tercer ciclo editorial de santillana con la dirección de claudia eleonora noriega castillo por el los textos prescriptivos están orientados hacia la obtención de respuestas guia de docente espanol

libros digitales santillana - Oct 05 2022

web libros digitales propuestas para enriquecer la enseñanza contenidos y recursos pensados para ofrecerte el mejor servicio y calidad en el aula

[santillana español 9 pdf pdf prof](#) - Feb 09 2023

web jan 28 2016 la guía para el docente de español 9 para noveno grado de tercer ciclo de educación básica es una obra colectiva concebida creada y diseñada en el departamento editorial de santillana con la dirección de claudia eleonora noriega castillo por el siguiente equipo maría elena banegas umanzor coordinación editorial español 9

guia del docente español 9 noveno grado honduras honduras - Aug 03 2022

web guia del docente español 9 noveno grado honduras se deja oficial para descargar en pdf para todos los maestros la guia del docente español 9 noveno grado por la secretaria de educacion de honduras con el libro resuelto al completo paso a paso descargar guia del docente descargar guia del docente

[libro de español noveno grado 2023 libros honduras](#) - Mar 30 2022

web descarga libro de español 9 grado aquí puede descargar el libro español de noveno grado de honduras en formato pdf

además podrá consultar y descargar todos los libros necesarios para los grados de la secretaría de educación de honduras

libro de texto español 9 secretaría de educación yumpu - Jan 08 2023

web el libro de texto español 9 para noveno grado de tercer ciclo

de educación básica es una obra colectiva concebida y diseñada en el departamento editorial

br