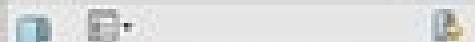


Bookmarks



- INTRODUCTION
 - GENERAL
 - DESCRIPTION
- REPAIRS
 - REMOVAL AND DISASSEMBLY
 - CLEANING
 - INSPECTION
 - ASSEMBLY AND INSTALLATION
- TROUBLESHOOTING
 - GENERAL

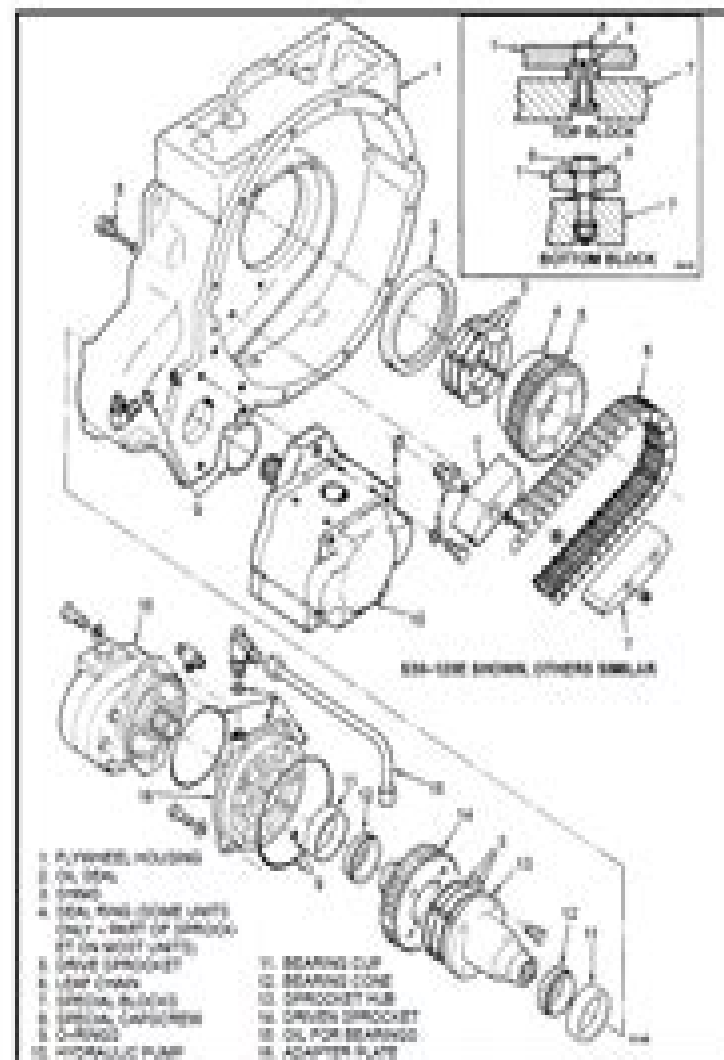


FIGURE 1. PARTS OF CHAIN DRIVE ASSEMBLY

Hyster S40 Manual Service

Chris Randall



Hyster S40 Manual Service:

Recognizing the exaggeration ways to get this book **Hyster S40 Manual Service** is additionally useful. You have remained in right site to start getting this info. get the Hyster S40 Manual Service associate that we find the money for here and check out the link.

You could purchase lead Hyster S40 Manual Service or get it as soon as feasible. You could quickly download this Hyster S40 Manual Service after getting deal. So, behind you require the ebook swiftly, you can straight get it. Its therefore utterly easy and fittingly fats, isnt it? You have to favor to in this atmosphere

https://staging.conocer.cide.edu/About/virtual-library/HomePages/Guide_Rollers_For_Order_Pickers.pdf

Table of Contents Hyster S40 Manual Service

1. Understanding the eBook Hyster S40 Manual Service
 - The Rise of Digital Reading Hyster S40 Manual Service
 - Advantages of eBooks Over Traditional Books
2. Identifying Hyster S40 Manual Service
 - Exploring Different Genres
 - Considering Fiction vs. Non-Fiction
 - Determining Your Reading Goals
3. Choosing the Right eBook Platform
 - Popular eBook Platforms
 - Features to Look for in an Hyster S40 Manual Service
 - User-Friendly Interface
4. Exploring eBook Recommendations from Hyster S40 Manual Service
 - Personalized Recommendations
 - Hyster S40 Manual Service User Reviews and Ratings
 - Hyster S40 Manual Service and Bestseller Lists
5. Accessing Hyster S40 Manual Service Free and Paid eBooks

- Hyster S40 Manual Service Public Domain eBooks
 - Hyster S40 Manual Service eBook Subscription Services
 - Hyster S40 Manual Service Budget-Friendly Options
6. Navigating Hyster S40 Manual Service eBook Formats
 - ePub, PDF, MOBI, and More
 - Hyster S40 Manual Service Compatibility with Devices
 - Hyster S40 Manual Service Enhanced eBook Features
 7. Enhancing Your Reading Experience
 - Adjustable Fonts and Text Sizes of Hyster S40 Manual Service
 - Highlighting and Note-Taking Hyster S40 Manual Service
 - Interactive Elements Hyster S40 Manual Service
 8. Staying Engaged with Hyster S40 Manual Service
 - Joining Online Reading Communities
 - Participating in Virtual Book Clubs
 - Following Authors and Publishers Hyster S40 Manual Service
 9. Balancing eBooks and Physical Books Hyster S40 Manual Service
 - Benefits of a Digital Library
 - Creating a Diverse Reading Collection Hyster S40 Manual Service
 10. Overcoming Reading Challenges
 - Dealing with Digital Eye Strain
 - Minimizing Distractions
 - Managing Screen Time
 11. Cultivating a Reading Routine Hyster S40 Manual Service
 - Setting Reading Goals Hyster S40 Manual Service
 - Carving Out Dedicated Reading Time
 12. Sourcing Reliable Information of Hyster S40 Manual Service
 - Fact-Checking eBook Content of Hyster S40 Manual Service
 - Distinguishing Credible Sources
 13. Promoting Lifelong Learning
 - Utilizing eBooks for Skill Development

- Exploring Educational eBooks
- 14. Embracing eBook Trends
 - Integration of Multimedia Elements
 - Interactive and Gamified eBooks

Hyster S40 Manual Service Introduction

In today's digital age, the availability of Hyster S40 Manual Service books and manuals for download has revolutionized the way we access information. Gone are the days of physically flipping through pages and carrying heavy textbooks or manuals. With just a few clicks, we can now access a wealth of knowledge from the comfort of our own homes or on the go. This article will explore the advantages of Hyster S40 Manual Service books and manuals for download, along with some popular platforms that offer these resources. One of the significant advantages of Hyster S40 Manual Service books and manuals for download is the cost-saving aspect. Traditional books and manuals can be costly, especially if you need to purchase several of them for educational or professional purposes. By accessing Hyster S40 Manual Service versions, you eliminate the need to spend money on physical copies. This not only saves you money but also reduces the environmental impact associated with book production and transportation. Furthermore, Hyster S40 Manual Service books and manuals for download are incredibly convenient. With just a computer or smartphone and an internet connection, you can access a vast library of resources on any subject imaginable. Whether you're a student looking for textbooks, a professional seeking industry-specific manuals, or someone interested in self-improvement, these digital resources provide an efficient and accessible means of acquiring knowledge. Moreover, PDF books and manuals offer a range of benefits compared to other digital formats. PDF files are designed to retain their formatting regardless of the device used to open them. This ensures that the content appears exactly as intended by the author, with no loss of formatting or missing graphics. Additionally, PDF files can be easily annotated, bookmarked, and searched for specific terms, making them highly practical for studying or referencing. When it comes to accessing Hyster S40 Manual Service books and manuals, several platforms offer an extensive collection of resources. One such platform is Project Gutenberg, a nonprofit organization that provides over 60,000 free eBooks. These books are primarily in the public domain, meaning they can be freely distributed and downloaded. Project Gutenberg offers a wide range of classic literature, making it an excellent resource for literature enthusiasts. Another popular platform for Hyster S40 Manual Service books and manuals is Open Library. Open Library is an initiative of the Internet Archive, a nonprofit organization dedicated to digitizing cultural artifacts and making them accessible to the public. Open Library hosts millions of books, including both public domain works and contemporary titles. It also allows users to borrow digital copies of certain books for a limited period, similar to a library lending system. Additionally, many universities and educational

institutions have their own digital libraries that provide free access to PDF books and manuals. These libraries often offer academic texts, research papers, and technical manuals, making them invaluable resources for students and researchers. Some notable examples include MIT OpenCourseWare, which offers free access to course materials from the Massachusetts Institute of Technology, and the Digital Public Library of America, which provides a vast collection of digitized books and historical documents. In conclusion, Hyster S40 Manual Service books and manuals for download have transformed the way we access information. They provide a cost-effective and convenient means of acquiring knowledge, offering the ability to access a vast library of resources at our fingertips. With platforms like Project Gutenberg, Open Library, and various digital libraries offered by educational institutions, we have access to an ever-expanding collection of books and manuals. Whether for educational, professional, or personal purposes, these digital resources serve as valuable tools for continuous learning and self-improvement. So why not take advantage of the vast world of Hyster S40 Manual Service books and manuals for download and embark on your journey of knowledge?

FAQs About Hyster S40 Manual Service Books

How do I know which eBook platform is the best for me? Finding the best eBook platform depends on your reading preferences and device compatibility. Research different platforms, read user reviews, and explore their features before making a choice. Are free eBooks of good quality? Yes, many reputable platforms offer high-quality free eBooks, including classics and public domain works. However, make sure to verify the source to ensure the eBook credibility. Can I read eBooks without an eReader? Absolutely! Most eBook platforms offer webbased readers or mobile apps that allow you to read eBooks on your computer, tablet, or smartphone. How do I avoid digital eye strain while reading eBooks? To prevent digital eye strain, take regular breaks, adjust the font size and background color, and ensure proper lighting while reading eBooks. What the advantage of interactive eBooks? Interactive eBooks incorporate multimedia elements, quizzes, and activities, enhancing the reader engagement and providing a more immersive learning experience. Hyster S40 Manual Service is one of the best book in our library for free trial. We provide copy of Hyster S40 Manual Service in digital format, so the resources that you find are reliable. There are also many Ebooks of related with Hyster S40 Manual Service. Where to download Hyster S40 Manual Service online for free? Are you looking for Hyster S40 Manual Service PDF? This is definitely going to save you time and cash in something you should think about. If you trying to find then search around for online. Without a doubt there are numerous these available and many of them have the freedom. However without doubt you receive whatever you purchase. An alternate way to get ideas is always to check another Hyster S40 Manual Service. This method for see exactly what may be included and adopt these ideas to your book. This site will almost certainly help you save time and effort, money

and stress. If you are looking for free books then you really should consider finding to assist you try this. Several of Hyster S40 Manual Service are for sale to free while some are payable. If you arent sure if the books you would like to download works with for usage along with your computer, it is possible to download free trials. The free guides make it easy for someone to free access online library for download books to your device. You can get free download on free trial for lots of books categories. Our library is the biggest of these that have literally hundreds of thousands of different products categories represented. You will also see that there are specific sites catered to different product types or categories, brands or niches related with Hyster S40 Manual Service. So depending on what exactly you are searching, you will be able to choose e books to suit your own need. Need to access completely for Campbell Biology Seventh Edition book? Access Ebook without any digging. And by having access to our ebook online or by storing it on your computer, you have convenient answers with Hyster S40 Manual Service To get started finding Hyster S40 Manual Service, you are right to find our website which has a comprehensive collection of books online. Our library is the biggest of these that have literally hundreds of thousands of different products represented. You will also see that there are specific sites catered to different categories or niches related with Hyster S40 Manual Service So depending on what exactly you are searching, you will be able to choose ebook to suit your own need. Thank you for reading Hyster S40 Manual Service. Maybe you have knowledge that, people have search numerous times for their favorite readings like this Hyster S40 Manual Service, but end up in harmful downloads. Rather than reading a good book with a cup of coffee in the afternoon, instead they juggled with some harmful bugs inside their laptop. Hyster S40 Manual Service is available in our book collection an online access to it is set as public so you can download it instantly. Our digital library spans in multiple locations, allowing you to get the most less latency time to download any of our books like this one. Merely said, Hyster S40 Manual Service is universally compatible with any devices to read.

Find Hyster S40 Manual Service :

[guide rollers for order pickers](#)

~~[guide to bar etiquette no more bar fousenglish edition](#)~~

[guide to econometrics peter kennedy 5th edition](#)

[guide rouge france 2009](#)

[guide to making a cv](#)

[guide of cars peugeot 206](#)

[guide to service desk concepts donna knapp](#)

~~[guide to networking essentials review questions](#)~~

[guide to become a brewery owner](#)

[guide to iec61850](#)

[guide to mechanical ventilation and intensive respiratory](#)

[guide to newsservers](#)

[guide to mutual fund investing](#)

[guide questions for the great gatsby answers](#)

[guide to sail computer science](#)

Hyster S40 Manual Service :

solutions manual for structural steel design goodreads - Aug 12 2022

solutions manual for structural steel design jack c mccormac 3 75 40

[structural steel design 5th edition mccormac solutions manual](#) - Dec 04 2021

apr 5 2019 structural steel design 5th edition mccormac solutions manual by amethyst issuu full download goo gl tn3fjo

structural steel design 5th edition mccormac solutions manual structural

pdf an instructor s solutions manual to accompany steel design - Aug 24 2023

an instructor s solutions manual to accompany steel design 5 th edition jee kee habambuhay cengage learning hereby grants you a nontransferable license to use the supplement in connection with the course subject to the following conditions

solutions manual for steel design 6th edition segui - Apr 08 2022

aug 12 2023 solutions manual for steel design 6th edition segui by areleaders issuu download the solutions manual for steel design 6th us edition by segui cengage link testbankblue com shop

[structural steel design by jack c mccormac textbook solution manual](#) - May 21 2023

mar 11 2020 1 introduction to structural steel design 1 1 advantages of steel as a structural material 1 2 disadvantages of steel as a structural material 1 3 early uses of iron and steel 1 4 steel sections 1 5 metric units 1 6 cold formed light gage steel shapes 1 7 stress strain relationships in structural steel

steel structures design and behavior 5th edition solution manual - Feb 06 2022

2 2 steel structures design and behavior 5th edition solution manual 2023 02 04 to the primary use of inch pound units salmon johnson steel structures design and behavior

structural steel design 5e mccormac csernak solutions pdf - Sep 25 2023

structural steel design 5e mccormac csernak solutions pdf salah al fahad see full pdf download pdf see full instructor s solution manual □□ □ qwer download free pdf view pdf modern control systems solution manual a companion to modern

control systems eleventh edition solutions manual to
[structural steel design pearson](#) - Dec 16 2022

jul 13 2021 structural steel design published 2021 hardcover 213 32 price reduced from 266 65 buy now free delivery isbn
13 9780134589657 structural steel design published 2017 need help get in touch explore schools college work products
services

structural steel design 5th edition mccormac solutions manual - Jun 22 2023

structural steel design 5th edition mccormac solutions manual free download as pdf file pdf text file txt or read online for free
solutions manual

[solutions manual to structural steel design by mccormac](#) - Mar 07 2022

download solutions manual to structural steel design by mccormac csernak 5th edition free in pdf format

[steel structures 5th edition solutions manual pdf scribd](#) - Jul 23 2023

steel structures 5th edition solutions manual pdf pdf all rights reserved copyright 236267023 steel structures 5th edition
solutions manual pdf free download as pdf file pdf text file txt or read online for free scribd is

solutions manual for structural steel design a practice oriented - Oct 02 2021

instantly download solutions manual for structural steel design a practice oriented approach 2nd edition by aghayere ibsn
9780133418828 from trusted source provides a thousand solutions manual and test bank questions

[structural steel design 6th edition textbook solutions bartleby](#) - Jan 17 2023

chapter 1 introduction to structural steel design chapter 2 specifications loads and methods of design chapter 3 analysis of
tension members chapter 4 design of tension members chapter 5 introduction to axially loaded compression members
chapter 6 design of axially loaded compression members chapter 7 design of axially loaded

solutions manual for structural steel design a practice issuu - Nov 03 2021

apr 27 2018 solutions manual for structural steel design a practice oriented approach 2nd edition by aghayere ib by
coduto111 issuu full download

steel design 5th edition engineering books - Sep 13 2022

steel design code steel bracket design example is code for steel design structural steel design 5th solution manual pdf free
structural steel design 5th mccormac solution manual pdf free structural steel design 5th ed by jack mccormac structural
steel design 5th mccormac solution manual pdf steel design 5th solutions manual

structural steel design 5th edition textbook solutions chegg - Mar 19 2023

how is chegg study better than a printed structural steel design 5th edition student solution manual from the bookstore our
interactive player makes it easy to find solutions to structural steel design 5th edition problems you re working on just go to

the chapter for your book

solution manual structural steel design 1st edition aghayere - Nov 15 2022

solution manual structural steel design 1st edition aghayere free download as pdf file pdf text file txt or read online for free
1st edition aghayere solution chapter 1 2

structural steel design solution manual pdf ebook - Jan 05 2022

jan 29 2018 structural steel design is the book where you find all designing of steel in amazing and best quality you can get
this solution manual from this book which is easy for you this solution manual gives you more benefits in your

structural steel design solution manual chegg com - Apr 20 2023

get instant access to our step by step structural steel design solutions manual our solution manuals are written by chegg
experts so you can be assured of the highest quality

[solutions manual for structural steel design google books](#) - Oct 14 2022

solutions manual for structural steel design jack c mccormac harper row 1981 building iron and steel 330 pages

[solutions manual for structural steel design 5th edition by](#) - Jun 10 2022

solutions manual for management accounting for decision makers 6e with myaccountinglab access card 6th edition by atrill
complete downloadable solutions manual for structural steel design 5th edition by mccormac instructor resource information
title structural steel design resource solutions manual edition 5th editionauthor mccormac

steel structures 5th edition textbook solutions chegg com - Feb 18 2023

how is chegg study better than a printed steel structures 5th edition student solution manual from the bookstore our
interactive player makes it easy to find solutions to steel structures 5th edition problems you re working on just go to the
chapter for your book

steel design solution manual pdf scribd - May 09 2022

structural steel design a structural steel design 5th edition 30 00 solution manual for structural analysis 4th edition us units
edition get instant access to our step by step steel design solutions manual our solution manuals are written by chegg experts
so you can be assured of the highest 2 46

steel design 5th edition segui solutions manual issuu - Jul 11 2022

may 14 2018 full file at testbankuniv eu steel design 5th edition segui solutions manual chapter 2 concepts in structural
steel design

castle hill by samantha young audiobook audible com - Mar 22 2022

web castle hill a joss and braden novella by samantha young narrated by paula costello length 2 hrs and 41 mins

castle hill by samantha young the hawaii project - Feb 18 2022

web how would she have felt about risking her heart then and even if she was older and wiser and ready to fall madly in love what if too much had happened to braden to make him the man that would risk his heart to save hers will time be their enemy or is it possible that two souls are meant for one another in any reality stars over castle hill

castle hill samantha young 1000kitap - Aug 07 2023

web castle hill on dublin street 3 5 samantha young okuyacaklarıma ekle 9 10 1 kişi 2 okunma 1 beğeni 167 gösterim duvar genel bakış İncelemeler alıntılar İletiler fiyatlar okurlar diğer baskılar benzer kitaplar daha fazla göster gündemdeki konular tümünü gör edebiyat 3 952 gönderi alıntı 1 189 gönderi 1000k 857 gönderi Şiir 720 gönderi 1k 379

castle hill by samantha young ebook ebooks com - Dec 31 2022

web in the new york times bestselling novel on dublin street joss and braden fought for their happily ever after now in a romantic new novella they ll discover what comes after the happy ending braden carmichael never imagined he d fall as hard and as fast as he did for jocelyn butler

castle hill samantha young babelio - Jun 24 2022

web jul 6 2016 résumé braden carmichael n aurait jamais imaginé tomber ainsi amoureux et aussi rapidement de jocelyn butler il n aurait également jamais pu prévoir combien il serait difficile de la convaincre de se laisser aimer mais maintenant qu il l a il

castle hill on dublin street kindle edition amazon co uk - Apr 03 2023

web samantha has written over 50 books and is published in 31 countries she writes emotional and angsty romance often set where she resides in her beloved home country scotland samantha splits her time between her family writing and chasing after two very mischievous cavapoos

[castle hill a joss and braden novella on dublin street](#) - Jun 05 2023

web dec 3 2013 castle hill a joss and braden novella on dublin street kindle edition by young samantha download it once and read it on your kindle device pc phones or tablets use features like bookmarks note taking and highlighting while reading castle hill a joss and braden novella on dublin street

castle hill on dublin street 3 5 by samantha young goodreads - Oct 09 2023

web dec 3 2013 castle hill is a novella 2 5 in samantha young s contemporary adult romance series titled on dublin street each book in this series centers on a different couple s romance with cameos by past future characters

castle hill on dublin street series by samantha young ebook - Jul 26 2022

web dec 3 2013 samantha young is a scottish book addict who graduated from the university of edinburgh she is the new york times bestselling author of on dublin street down london road and until fountain bridge

calles de edimburgo castle hill by samantha young goodreads - Apr 22 2022

web feb 4 2015 135 ratings14 reviews calles de edimburgo ellie carmichael llevaba años enamorada de adam sutherland el mejor amigo de su hermano braden sin embargo para adam ellie es como una hermana pequeña hasta que una noche ocurre algo que pondrá a prueba los sentimientos de ambos castle hill

castle hill on apple books - Oct 29 2022

web dec 3 2013 young s voice is riveting fiction vixen book reviews brilliantly written with just the right amount of hotness sexiness and romance once upon a twilight samantha young is not an author you should miss out on fresh fiction samantha young is a scottish

on dublin street series by samantha young goodreads - Mar 02 2023

web by samantha young 4 16 196160 ratings 10675 reviews published 2012 87 editions castle hill until fountain bridge one king s way by samantha young 4 27 128 ratings 4 reviews published 2016 2 editions the new york times bestselling on dublin street se

castle hill by samantha young romance - Aug 27 2022

web rated 4 2 5 stars castle hill is tagged as contemporary super rich hero pregnancy alpha male tortured heroine insta love possessive hero from hate to love tycoon strong heroine sassy heroine erotica curvy heroine age difference it is the 3rd book in the on dublin street series

stars over castle hill on dublin street 6 6 by samantha young - May 04 2023

web sep 6 2016 samantha young 4 21 2 264 ratings197 reviews joss and braden carmichael are blissfully married living in their townhouse on dublin street with their three beautiful children it s a life joss never expected to

castle hill ebook by samantha young rakuten kobo - Feb 01 2023

web castle hill a joss and braden novella by samantha young series on dublin street series audiobook 17 99 ebook 2 99 synopsis expand collapse synopsis in the new york times bestselling novel on dublin street joss and braden fought for their happily ever after now in a romantic new novella they ll discover what comes after the happy ending

castle hill author samantha young - Jul 06 2023

web castle hill author samantha young title castle hill series on dublin street 3 5 release date december 3 2013 genre adult contemporary pages 83 buy the book amazon amazon uk ibooks us ibooks uk kobo us kobo uk barnes noble braden carmichael never imagined he d fall as hard and as fast as he did for jocelyn

castle hill by samantha young 9780698156371 penguin - Sep 08 2023

web about castle hill in the new york times bestselling novel on dublin street joss and braden fought for their happily ever after now in a romantic new novella they ll discover what comes after the happy ending

castle hill by samantha young out now hachette uk - May 24 2022

web dec 3 2013 joss and braden are back in samantha young s unmissable new on dublin street novella castle hill the novella is available to buy in entice ebook now and to celebrate author samantha young h
[castle hill by samantha young overdrive ebooks audiobooks](#) - Sep 27 2022

web castle hill audiobook unabridged mid a joss and braden novella on dublin street by samantha young
editions of castle hill by samantha young goodreads - Nov 29 2022

web dec 3 2013 editions for castle hill kindle edition published in 2013 0698156374 ebook published in 2013 kindle edition published in 2013 8852056890 ebook home my books

accounting horngren harrison bamber 5th edition pdf - Mar 30 2022

web reviewing accounting horngren harrison bamber 5th edition unlocking the spellbinding force of linguistics in a fast paced world fueled by information and interconnectivity the spellbinding force of linguistics

[accounting horngren harrison bamber 5th edition pdf](#) - Apr 30 2022

web horngren harrison bamber robinson accounting amazon com horngren harrison bamber books day books to ledgers accounting for igcse example 5 cash book link my books

[contabilidad horngren harrison bamber 5ta vdocuments site](#) - Sep 04 2022

web jan 9 2016 horngren harrison bamber hoy la docencia de la contabilidad significa ayudar a que los estudiantes naveguen en un mundo de negocios cambiante significa ayudarles a tener xito en el aula y en su carrera

[amazon com horngren harrison bamber books](#) - Jun 13 2023

web jan 1 2002 accounting chapters 1 18 a custom edition with cd rom taken from accounting chapters 1 18 sixth edition 6th paperback custom edition 2005 copyright by harrison and bamber by horngren jan 1 2005

accounting fifth edition by horngren harrison bamber biblio - Dec 07 2022

web we have 8 copies of accounting fifth edition for sale starting from 8 05 fifth edition by horngren harrison bamber by horngren harrison bamber similar copies are shown below similar copies are shown to the right stock photo cover may be different accounting fifth edition

accounting horngren harrison bamber 5th edition pdf uniport edu - Feb 26 2022

web accounting horngren harrison bamber 5th edition is available in our book collection an online access to it is set as public so you can download it instantly our book servers saves in multiple countries allowing you to get the most less latency time

accounting chapters 1 13 horngren harrison bamber - Aug 03 2022

web jan 1 2002 there is a newer edition of this item accounting chapters 1 13 charles t horngren series in accounting 6th edition by horngren charles t harrison walter t bamber linda smi 2003 paperback 7 26 1 only 1 left in stock order soon

[accounting horngren harrison bamber 5th edition terry p harrison](#) - Jun 01 2022

web merely said the accounting horngren harrison bamber 5th edition is universally compatible with any devices to read
accounting anita r smale 2002 prentice hall 2004 2005 faculty directory hasselback 2003 07 advanced corporate finance
joseph p ogden 2003 the first book devoted exclusively to modern advanced corporate finance

financial accounting fifth edition university of southern - May 12 2023

web pearson education australia book title financial accounting fifth edition book category textbook authors horngren c t
author harrison w t author bamber l s author best p j author fraser d j

accounting fifth edition horngren harrison bamber hardcover ebay - Jul 02 2022

web accounting fifth edition horngren harrison bamber really good condition no tears or markings all pages accounted for
accounting by harrison bamber horngren alibris - Oct 05 2022

web buy accounting by harrison bamber horngren online at alibris we have new and used copies available in 0 edition
starting at 4 86 shop now edition pearson custom publishing pearson prentice hall paperback fair details isbn 0536824479
isbn 13 9780536824479

accounting and annual report fifth edition with cd package 5 - Aug 15 2023

web aug 28 2001 accounting and annual report fifth edition with cd package 5 5th edition accounting and annual report
fifth edition with cd package 5 5th edition by charles t horngren author walter t harrison author linda smith bamber author 4
ratings see all formats and editions

accounting by horngren charles t harrison walter t bamber - Jul 14 2023

web accounting by horngren charles t harrison walter t bamber linda s prentice hall college div 2001 hardcover 5th edition
hardcover horngren on amazon com free shipping on qualifying offers

accounting charles t horngren walter t harrison linda - Apr 11 2023

web accounting charles t horngren series in accounting authors charles t horngren walter t harrison linda smith bamber
edition 6 illustrated publisher prentice hall 2005

bookmark file accounting 6th edition horngren harrison free - Jan 28 2022

web sep 8 2023 edition by horngren harrison bamber lemon norwood instructor s resource cd rom electronic resource 2005
business policy and strategy 2000 07 31 student guide cost accounting 1987 for courses in financial and managerial
accounting expanding on proven success with horngren s financial and managerial accounting

chapter 5 solutions horngren cost accounting bing just pdf - Dec 27 2021

web chapter 5 solutions horngren cost accounting pdf free pdf download cost accounting 14th edition by horngren a
managerial emphasis 14th edition 7 downloads 997 views 44kb size

accounting chapter 12 26 fifth edition horngren harrison bamber - Jan 08 2023

web accounting chapter 12 26 fifth edition horngren harrison bamber new ebay find many great new used options and get the best deals for accounting chapter 12 26 fifth edition horngren harrison bamber new at the best online prices at ebay free shipping for many products

accounting charles t horngren walter t harrison m - Nov 06 2022

web dec 17 2010 prentice hall 2008 accounting 1216 pages for principle of accounting courses the winning combination of respected authors and a traditional framework has made the horngren harrison

horngren accounting vol 1 virtual tour pearson - Feb 09 2023

web accounting volume 1 fifth canadian edition isbn 0 13 089693 4 immersing students in a real world business context the new fifth edition of horngren harrison bamber lemon norwood accounting continues to offer accounting instruction and practice in a clear accurate and student friendly style

accounting charles horngren walter harrison suzanne oliver - Mar 10 2023

web nov 1 2012 accounting is an engaging resource that focuses on current accounting theory and practice in australia within a business context it emphasises how financial decision making is based on