

14. Refer to Install Procedure 2 if the malfunction indicator lamp illuminates after installing the distributor.
15. Install the engine cover. Refer to the Frame section for your lift truck.

### Install Procedure 2

**NOTE:** Rotate the number 1 cylinder to top dead center (TDC) of the compression stroke. The engine front cover has two alignment tabs and the crankshaft balancer has two alignment marks spaced 90 degrees apart which are used for positioning the number 1 piston at TDC. See Figure 22. With the piston on the compression stroke and at TDC, the crankshaft balancer alignment mark (1) must align with the engine front cover tab (2) and the crankshaft balancer alignment mark (4) must align with the engine front cover tab (3).

1. Rotate the crankshaft balancer clockwise until the alignment marks on the crankshaft balancer are aligned with the tabs on the engine front cover and the number 1 piston is at TDC of the compression stroke. See Figure 22.

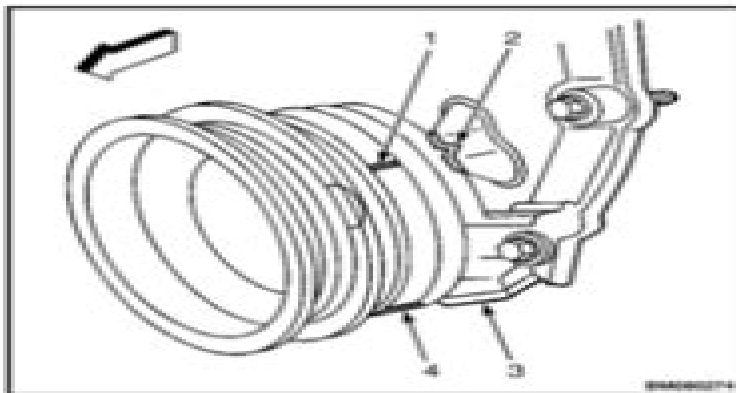


Figure 22. Crankshaft Balancer and Engine Front Cover Alignment Marks

### Legend for Figure 22

1. CRANKSHAFT BALANCER ALIGNMENT MARK
2. ENGINE FRONT COVER TAB
3. ENGINE FRONT COVER TAB
4. CRANKSHAFT BALANCER ALIGNMENT MARK

2. Align the white paint mark on the bottom stem of the distributor and the pre-drilled indent hole in the bottom of the gear. See Figure 7.

**NOTE:** The ignition system distributor driven gear and rotor may be installed in multiple positions. In order to avoid mistakes, mark the distributor on the following components in order to ensure the same mounting position upon reassembly:

- Distributor driven gear
- Distributor shaft
- Rotor holes

Installing the driven gear 180 degrees out of alignment or locating the rotor in the wrong holes, will cause a no-start condition. Premature engine wear or damage may result.

3. With the gear in this position, the rotor segment should be positioned as shown in Figure 7.
4. Use a long screw driver in order to align the oil pump drive shaft to the drive tab of the distributor.
5. Guide the distributor into the engine. See Figure 21.

Ensure the flat portion of the distributor housing is facing toward the front of the engine.

6. Once the distributor is fully seated, the rotor segment should be aligned with the pointer cast into the distributor base. See Figure 23.

# Hyster Forklift Manual S6

**WJ Hussar**



**Hyster Forklift Manual S6:**

**Machinery Lloyd** ,1978     Hyster Service Manual: Spacesaver S60B, S70B, S80B, S100B and Challenger H60C, H70C, H80C, H100C, H120C (fork Lift Trucks). Hyster Company,1975     **Operator's Manual** ,1991     Operator's Manual ,1991

**Hyster V.a. 70 Fork Lift Truck Operations Manual** J. B. Hopkinson,R. O. Newberry,1962     The Forklift Manual  
John L. Ryan,L. D. Ryan,2006     **Hyster Parts Manual** ,1995     **Service Manual** Hyster Company,1972     **Service Manual** Hyster Company,1975     **Operator's Manual** ,1991

Thank you extremely much for downloading **Hyster Forklift Manual S6**. Maybe you have knowledge that, people have look numerous time for their favorite books later than this Hyster Forklift Manual S6, but stop stirring in harmful downloads.

Rather than enjoying a good book bearing in mind a mug of coffee in the afternoon, then again they juggled following some harmful virus inside their computer. **Hyster Forklift Manual S6** is open in our digital library an online entrance to it is set as public correspondingly you can download it instantly. Our digital library saves in multipart countries, allowing you to get the most less latency period to download any of our books like this one. Merely said, the Hyster Forklift Manual S6 is universally compatible considering any devices to read.

<https://staging.conocer.cide.edu/results/book-search/default.aspx/Labor%20Manual%202007%20Uplander.pdf>

## **Table of Contents Hyster Forklift Manual S6**

1. Understanding the eBook Hyster Forklift Manual S6
  - The Rise of Digital Reading Hyster Forklift Manual S6
  - Advantages of eBooks Over Traditional Books
2. Identifying Hyster Forklift Manual S6
  - Exploring Different Genres
  - Considering Fiction vs. Non-Fiction
  - Determining Your Reading Goals
3. Choosing the Right eBook Platform
  - Popular eBook Platforms
  - Features to Look for in an Hyster Forklift Manual S6
  - User-Friendly Interface
4. Exploring eBook Recommendations from Hyster Forklift Manual S6
  - Personalized Recommendations
  - Hyster Forklift Manual S6 User Reviews and Ratings
  - Hyster Forklift Manual S6 and Bestseller Lists

5. Accessing Hyster Forklift Manual S6 Free and Paid eBooks
  - Hyster Forklift Manual S6 Public Domain eBooks
  - Hyster Forklift Manual S6 eBook Subscription Services
  - Hyster Forklift Manual S6 Budget-Friendly Options
6. Navigating Hyster Forklift Manual S6 eBook Formats
  - ePub, PDF, MOBI, and More
  - Hyster Forklift Manual S6 Compatibility with Devices
  - Hyster Forklift Manual S6 Enhanced eBook Features
7. Enhancing Your Reading Experience
  - Adjustable Fonts and Text Sizes of Hyster Forklift Manual S6
  - Highlighting and Note-Taking Hyster Forklift Manual S6
  - Interactive Elements Hyster Forklift Manual S6
8. Staying Engaged with Hyster Forklift Manual S6
  - Joining Online Reading Communities
  - Participating in Virtual Book Clubs
  - Following Authors and Publishers Hyster Forklift Manual S6
9. Balancing eBooks and Physical Books Hyster Forklift Manual S6
  - Benefits of a Digital Library
  - Creating a Diverse Reading Collection Hyster Forklift Manual S6
10. Overcoming Reading Challenges
  - Dealing with Digital Eye Strain
  - Minimizing Distractions
  - Managing Screen Time
11. Cultivating a Reading Routine Hyster Forklift Manual S6
  - Setting Reading Goals Hyster Forklift Manual S6
  - Carving Out Dedicated Reading Time
12. Sourcing Reliable Information of Hyster Forklift Manual S6
  - Fact-Checking eBook Content of Hyster Forklift Manual S6
  - Distinguishing Credible Sources
13. Promoting Lifelong Learning

- Utilizing eBooks for Skill Development
  - Exploring Educational eBooks
14. Embracing eBook Trends
- Integration of Multimedia Elements
  - Interactive and Gamified eBooks

### **Hyster Forklift Manual S6 Introduction**

In this digital age, the convenience of accessing information at our fingertips has become a necessity. Whether its research papers, eBooks, or user manuals, PDF files have become the preferred format for sharing and reading documents. However, the cost associated with purchasing PDF files can sometimes be a barrier for many individuals and organizations. Thankfully, there are numerous websites and platforms that allow users to download free PDF files legally. In this article, we will explore some of the best platforms to download free PDFs. One of the most popular platforms to download free PDF files is Project Gutenberg. This online library offers over 60,000 free eBooks that are in the public domain. From classic literature to historical documents, Project Gutenberg provides a wide range of PDF files that can be downloaded and enjoyed on various devices. The website is user-friendly and allows users to search for specific titles or browse through different categories. Another reliable platform for downloading Hyster Forklift Manual S6 free PDF files is Open Library. With its vast collection of over 1 million eBooks, Open Library has something for every reader. The website offers a seamless experience by providing options to borrow or download PDF files. Users simply need to create a free account to access this treasure trove of knowledge. Open Library also allows users to contribute by uploading and sharing their own PDF files, making it a collaborative platform for book enthusiasts. For those interested in academic resources, there are websites dedicated to providing free PDFs of research papers and scientific articles. One such website is Academia.edu, which allows researchers and scholars to share their work with a global audience. Users can download PDF files of research papers, theses, and dissertations covering a wide range of subjects. Academia.edu also provides a platform for discussions and networking within the academic community. When it comes to downloading Hyster Forklift Manual S6 free PDF files of magazines, brochures, and catalogs, Issuu is a popular choice. This digital publishing platform hosts a vast collection of publications from around the world. Users can search for specific titles or explore various categories and genres. Issuu offers a seamless reading experience with its user-friendly interface and allows users to download PDF files for offline reading. Apart from dedicated platforms, search engines also play a crucial role in finding free PDF files. Google, for instance, has an advanced search feature that allows users to filter results by file type. By specifying the file type as "PDF," users can find websites that offer free PDF downloads on a specific topic. While downloading Hyster Forklift Manual S6 free PDF files is convenient, its

important to note that copyright laws must be respected. Always ensure that the PDF files you download are legally available for free. Many authors and publishers voluntarily provide free PDF versions of their work, but its essential to be cautious and verify the authenticity of the source before downloading Hyster Forklift Manual S6. In conclusion, the internet offers numerous platforms and websites that allow users to download free PDF files legally. Whether its classic literature, research papers, or magazines, there is something for everyone. The platforms mentioned in this article, such as Project Gutenberg, Open Library, Academia.edu, and Issuu, provide access to a vast collection of PDF files. However, users should always be cautious and verify the legality of the source before downloading Hyster Forklift Manual S6 any PDF files. With these platforms, the world of PDF downloads is just a click away.

### **FAQs About Hyster Forklift Manual S6 Books**

How do I know which eBook platform is the best for me? Finding the best eBook platform depends on your reading preferences and device compatibility. Research different platforms, read user reviews, and explore their features before making a choice. Are free eBooks of good quality? Yes, many reputable platforms offer high-quality free eBooks, including classics and public domain works. However, make sure to verify the source to ensure the eBook credibility. Can I read eBooks without an eReader? Absolutely! Most eBook platforms offer web-based readers or mobile apps that allow you to read eBooks on your computer, tablet, or smartphone. How do I avoid digital eye strain while reading eBooks? To prevent digital eye strain, take regular breaks, adjust the font size and background color, and ensure proper lighting while reading eBooks. What the advantage of interactive eBooks? Interactive eBooks incorporate multimedia elements, quizzes, and activities, enhancing the reader engagement and providing a more immersive learning experience. Hyster Forklift Manual S6 is one of the best book in our library for free trial. We provide copy of Hyster Forklift Manual S6 in digital format, so the resources that you find are reliable. There are also many Ebooks of related with Hyster Forklift Manual S6. Where to download Hyster Forklift Manual S6 online for free? Are you looking for Hyster Forklift Manual S6 PDF? This is definitely going to save you time and cash in something you should think about.

### **Find Hyster Forklift Manual S6 :**

**labor manual 2007 uplander**

[labview arduino manual](#)

**lamant du lac**

lady isobel rushford

**lambassadeur des feacutees**

**lake fork weather report**

~~laffaire sez nec nouvelles reacuteveacutelations~~

~~laffaire dreyfus laquo que saisje raquo ndeg~~

~~laboratory manual for principles of general chemistry 9th edition~~

~~labour relations n6 2011 question paper~~

~~lacircne dor ou les meacutetamorphoses~~

~~label life cycle of a frog~~

~~lake powell freds guide~~

~~lake san antonio fishing report~~

~~lab manual of histology~~

**Hyster Forklift Manual S6 :**

*ted ideas worth spreading* - May 01 2023

web browse the library of ted talks and speakers playlists 100 collections of ted talks for curious minds ted series go deeper into fascinating topics with original video series from ted ted ed videos watch share and create lessons with ted ed tedx talks talks from independently organized local events discover

**ted youtube** - Jul 03 2023

web the ted talks channel features the best talks and performances from the ted conference where the world s leading thinkers and doers give the talk of their lives in 18 minutes or less look for

**tedx talks watch ted** - Jan 29 2023

web tedx talks dive into our library of tedx talks local speakers presenting to local audiences about everything from politics to pollination we host all of their talks for the world to enjoy explore and use explore the tedx library 21 39 mel robbins

ted series ted - Sep 05 2023

web this original ted series celebrates the lasting genius of everyday objects so perfectly designed that they changed the world around them ted is a nonprofit devoted to ideas worth spreading through ted com our annual conferences the annual ted prize and local tedx events

**ted talks discover ideas worth spreading** - Oct 06 2023

web ted talks are influential videos from expert speakers on education business science tech and creativity with subtitles in



100 languages ideas free to stream and download

[the most popular ted talks of all time ted talks](#) - Aug 04 2023

web looks aren't everything believe me i'm a model cameron russell admits she won a genetic lottery she's tall pretty and an underwear model but don't judge her by her looks in this fearless talk she takes a wry look at the industry that had her looking highly seductive at barely 16 years old 1

**ted talks list** - Mar 31 2023

web browse the library of ted talks and speakers playlists 100 collections of ted talks for curious minds ted series go deeper into fascinating topics with original video series from ted ted ed videos watch share and create lessons with ted ed tedx talks talks from independently organized local events discover

**ted conference wikipedia** - Feb 27 2023

web ted conferences llc technology entertainment design is an american canadian non profit media organization that posts international talks online for free distribution under the slogan ideas worth spreading it was founded by richard saul wurman and harry marks in february 1984 as a technology conference in which mickey schulhof gave a demo of

[11 must see ted talks ted talks](#) - Jun 02 2023

web this is big history an enlightening wide angle look at complexity life and humanity set against our slim share of the cosmic timeline what is ted this primer of 11 classic ted talks show you the wide range of topics covered and introduce you to beloved speakers like amy cuddy brené brown sir ken robinson and chimamanda adichie

**the most popular ted talks of 2022 ted talks** - Dec 28 2022

web creator actress and author lilly singh thinks we need to build a better table in this hilarious incisive talk singh traces the arc of her career from up and coming youtuber to history making late night talk show host offering four ways to build a more inclusive society where girls are encouraged and empowered to do great things 11 19

**contagious generosity creating a** - Sep 22 2023

contagious generosity highlights the best practices gleaned from real life church leadership situations and shows how church leaders can effectively cultivate a culture of generous

[contagious generosity creating a culture of giving in](#) - Mar 16 2023

contagious generosity highlights the best practices gleaned from real life church leadership situations and shows how church leaders can effectively cultivate a culture of generous

[contagious generosity pb creating a culture of giving in your](#) - Feb 15 2023

jul 8 2012 contagious generosity creating a culture of giving in your church willard chris sheppard jim robert morris 9780310893134 books amazon ca

contagious generosity creating a culture of giving in your - Apr 05 2022

the science of generosity usage for our purposes we use the word generosity to refer to the virtue of giving good things to others freely and abundantly generosity thus conceived is a

generosity wikipedia - Mar 04 2022

performing generous acts makes the giver the receiver the connector and the observer happier and increased happiness has a host of benefits specifically happiness promotes

**contagious generosity creating a culture of giving in your** - Aug 21 2023

jun 26 2012 contagious generosity highlights the best practices gleaned from real life church leadership situations and shows how church leaders can effectively cultivate a culture of

**contagious generosity creating a culture of giving in your church** - Oct 11 2022

abebooks com contagious generosity creating a culture of giving in your church leadership network innovation series new contagious generosity creating a culture of

**contagious generosity creating a culture of giving in your** - Apr 17 2023

may 1 2012 buy contagious generosity pb creating a culture of giving in your church leadership network innovation series by willard sheppard stroup isbn

contagious generosity creating a culture of giving in - Jul 20 2023

contagious generosity creating a culture of giving in your church by willard chris 1964 publication date 2012 topics generosity religious aspects christianity christian

**what is generosity university of notre dame** - Feb 03 2022

mar 30 2020 those who d received money were more likely to later give than others who had not received generosity from others by a magnitude of three times a 2016 study showed that

**contagious generosity creating a culture of giving in your** - Jul 08 2022

title contagious generosity creating a culture of giving in your church authors willard chris sheppard jim morris robert publisher zondervan publication date 2012 isbn

contagious generosity towards creating a culture of giving as - Nov 12 2022

title contagious generosity creating a culture of giving in your church ebook by chris willard jim sheppard format drm protected epub vendor zondervan publication date

generosity is contagious writers in the storm - Dec 01 2021

contagious generosity creating a culture of givin jon - Jun 07 2022

contagious generosity creating a culture of giving in your church willard chris sheppard jim morris robert amazon com au books

*contagious generosity creating a culture of giving in your* - Sep 10 2022

contagious generosity creating a culture of giving in your church leadership network innovation series ebook willard chris sheppard jim morris robert amazon com au

contagious generosity creating a culture of giving in your church - Dec 13 2022

contagious generosity highlights the best practices gleaned from real life church leadership situations and shows how church leaders can effectively cultivate a culture of generous

**contagious generosity creating a culture of giving in** - Jan 14 2023

synopsis chris willard and jim sheppard s book contagious generosity creating a culture of giving in your church has the potential of being very influential it deals with important

**contagious generosity zondervan academic** - May 18 2023

jul 3 2012 contagious generosity creating a culture of giving in your church chris willard jim sheppard google books the general practices related to church funding aren t

contagious generosity creating a culture of giving in your church - May 06 2022

generosity also called largesse is the virtue of being liberal in giving often as gifts generosity is regarded as a virtue by various world religions and philosophies and is often celebrated in

**contagious generosity creating a culture of giving in your church** - Jun 19 2023

contagious generosity highlights the best practices gleaned from real life church leadership situations and shows how church leaders can effectively cultivate a culture of generous

the causes and effects of workplace generosity - Jan 02 2022

contagious generosity creating a culture of giving in your church leadership network innovation series ebook willard chris sheppard jim morris robert amazon in kindle store

*contagious generosity creating a culture of giving in your* - Oct 31 2021

**contagious generosity creating a culture of giving in your** - Aug 09 2022

books contagious generosity creating a culture of givin in addition to it is not directly done you could give a positive response even more something like this life regarding the world we

**zo gezegd 1 1 methodesite voor de leerkracht pelckmans** - Jul 14 2023

web leidraad opsplitsing zo gezegd 1 1 persoonlijk en publiek domein xlsx moduleplan zo gezegd 1 1 persoonlijk xlsx

moduleplan zo gezegd 1 1 persoonlijk en publiek xlsx moduleplan zo gezegd 1 1 publiek xls overzicht audio cd s xls overzicht dvd pdf overzicht van de grammatica

**zo gezegd 1 1 zoeken leermiddelen klascement** - Jul 02 2022

web dec 19 2011 ik leer nederlands lessenreeks breakthrough zo gezegd 1 1 deze youtubevideo s heb ik voor mijn nt2 cursisten niveau breakthrough gemaakt dit is de nederlandse versie er is ook een reeks in het turks die vind je bij mijn andere playlists op youtube video 06 03 2023

*zo gezegd 1 1 audio cd voor cursist free download borrow* - Oct 05 2022

web jun 14 2021 zo gezegd 1 1 audio cd voor cursist topics zo gezegd 1 1 audio cd voor cursist zo gezegd 1 1 audio cd voor cursist addeddate 2021 06 14 20 32 39 color color identifier 49 unknown artist track 49 scanner internet archive html5 uploader 1 6 4 sound sound plus circle add review comment reviews

*zo gezegd 1 1 nederlands voor anderstaligen zo gezegd 1 1* - Mar 10 2023

web fnac zo gezegd 1 1 nederlands voor anderstaligen zo gezegd 1 1 christine boeken pelckmans levering bij je thuis of in de winkel en 5 korting op alle boeken koop nieuw of tweedehands

zo gezegd methodeportaal pelckmans - Apr 11 2023

web zo gezegd 1 2 waystage mondeling zo gezegd 1 2 waystage schriftelijk zo gezegd 2 1 threshold mondeling nederlands voor anderstaligen zo gezegd 1 1 fnac belgique - Aug 03 2022

web fnac zo gezegd 1 1 nederlands voor anderstaligen zo gezegd 1 1 christine boeken pelckmans livraison chez vous ou en magasin et 5 sur tous les livres achetez neuf ou d occasion

**zo gezegd 1 1 flashcards quizlet** - Apr 30 2022

web perfectum zo gezegd 1 2 95 terms jef vingerhoedt zo gezegd 50 terms ntrix2 teacher other sets by this creator wonen grieks 20 terms talentaki Η οικογένειά μου

spreekwoorden en gezegden met zo gezegd zo gedaan ensie - Dec 27 2021

web zo gezegd zo gedaan wordt gezegd van de snelle uitvoering van een gedachte of een bevel vgl terentius

heautontimorumenos v 1 31 dictum factum ook dicto citius

*deel 1 zo gezegd 1 1 pelckmans* - Feb 09 2023

web zo gezegd 1 1 methodesite voor de leerkracht algemeen deel 1 14 materialenbank deel 1 deel 1 zoeken type naam dir training uitspraak en spelling dir video dir wat kan ik deel 1 visualisering klank oo docx deel 1 werkwijze introductie rollen docx deel 1 wie is de leerkracht maak je keuze deel 1 deel 2 deel 3

**zo gezegd 1 1 youtube** - Aug 15 2023

web dec 4 2021 zo gezegd 1 1 kitabından hazırlanmış olan 10 dakikalık türkçe anlatımlı hollandaca flamanca dersleri

*nederlands 1 2 nederlands voor beginners youtube* - Nov 06 2022

web hollandaca learndutch [○○○○○○](#) vergeet zeker niet te abonneren voor meer video s like like like zo gezegd 1 1 youtube com watch v zrzv2tda0

zo gezegd 1 1 flashcards quizlet - Feb 26 2022

web zo gezegd 1 1 term 1 14 de deur click the card to flip definition 1 14 door click the card to flip

**zo gezegd 1 1 deel 1 flashcards quizlet** - Jan 28 2022

web study with quizlet and memorize flashcards containing terms like de vrouw de vrouwen de vriend de vrienden de maand de maanden and more

zo gezegd 1 1 2015 handleiding tot pag 162 pdf pdf scribd - Sep 04 2022

web jan 1 2015 zo gezegd 1 1 2015 handleiding tot pag 162 pdf free ebook download as pdf file pdf or read book online for free

*zo gezegd 1 1 nederlands voor anderstaligen ghent university* - Jan 08 2023

web zo gezegd 1 1 nederlands voor anderstaligen christine boeken published in 2008 in kapellen by pelckmans services

**zo gezegd 1 1 breakthrough leerwerkboek incl cd nt2 pelckmans** - Jun 13 2023

web zo gezegd 1 1 breakthrough leerwerkboek inclusief audio cd voor de cursist leerwerkboek isbn 978 90 289 7664 1 20 00 incl btw beschikbaarheid leverbaar publicatiedatum 12 mrt 2015 details illustrator nee isbn

zo gezegd 1 1 woordenlijsten en oefeningen klasce ment - Dec 07 2022

web zo gezegd 1 1 woordenlijsten en oefeningen pixabay maak deze herhalingsoefeningen voor alle delen van zo gezegd 1 1 of stap 1 de nederlandse versie dit kan ook gedownload worden als pdf

zo gezegd methodeportaal pelckmans - May 12 2023

web zo gezegd 1 1 breakthrough overzicht digitaal materiaal lesmateriaal voor de leerkracht meer informatie oefenmateriaal voor de leerling meer informatie

*zo gezegd 1 1 deel 1 wie is dat youtube* - Mar 30 2022

web sep 21 2021 about press copyright contact us creators advertise developers terms privacy policy safety how youtube works test new features nfl sunday ticket press copyright

**zo gezegd 1 1 pdf scribd** - Jun 01 2022

web 100 1 193 views 29 pages zo gezegd 1 1 original title zo gezegd 1 1 uploaded by ester martinez description deel 1 wie is dat copyright all rights reserved available formats download as pdf txt or read online from scribd flag for inappropriate content download now of 29