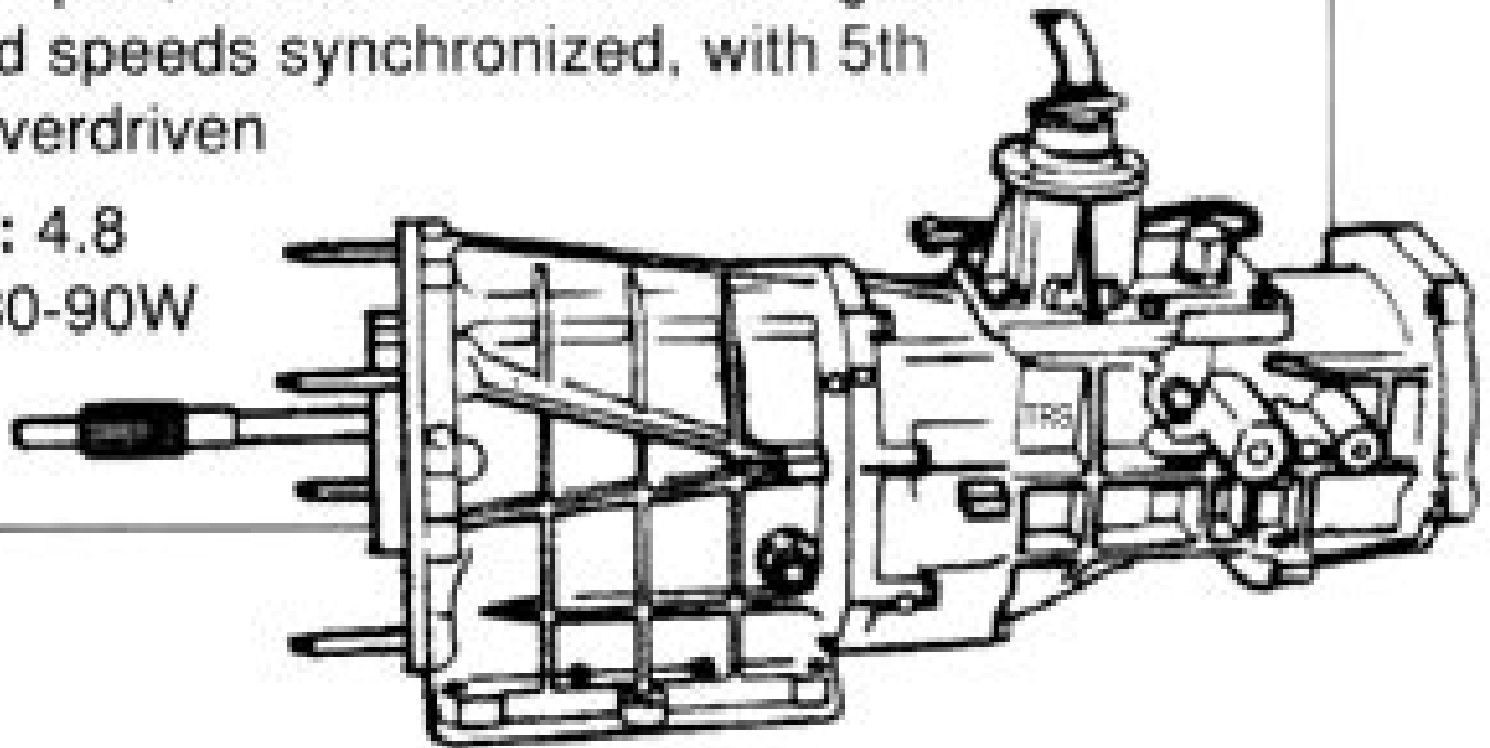


## **FM-146 five-speed manual overdrive transmission (Mitsubishi)**

**Application:** Bronco II and Ranger 4x4 equipped with 2.9 liter engine 1988 on

**Description:** Top-shifted, aluminum case, square steel oil pan, detachable bellhousing, all forward speeds synchronized, with 5th gear overdriven

**Lube Fill:** 4.8  
pints 80-90W  
gear  
lube.



# Ford Ranger Manual Transmission Identification

**Yijin Wang**



## **Ford Ranger Manual Transmission Identification:**

This book delves into Ford Ranger Manual Transmission Identification. Ford Ranger Manual Transmission Identification is an essential topic that must be grasped by everyone, from students and scholars to the general public. The book will furnish comprehensive and in-depth insights into Ford Ranger Manual Transmission Identification, encompassing both the fundamentals and more intricate discussions.

1. The book is structured into several chapters, namely:
  - Chapter 1: Introduction to Ford Ranger Manual Transmission Identification
  - Chapter 2: Essential Elements of Ford Ranger Manual Transmission Identification
  - Chapter 3: Ford Ranger Manual Transmission Identification in Everyday Life
  - Chapter 4: Ford Ranger Manual Transmission Identification in Specific Contexts
  - Chapter 5: Conclusion
2. In chapter 1, the author will provide an overview of Ford Ranger Manual Transmission Identification. This chapter will explore what Ford Ranger Manual Transmission Identification is, why Ford Ranger Manual Transmission Identification is vital, and how to effectively learn about Ford Ranger Manual Transmission Identification.
3. In chapter 2, this book will delve into the foundational concepts of Ford Ranger Manual Transmission Identification. This chapter will elucidate the essential principles that need to be understood to grasp Ford Ranger Manual Transmission Identification in its entirety.
4. In chapter 3, this book will examine the practical applications of Ford Ranger Manual Transmission Identification in daily life. This chapter will showcase real-world examples of how Ford Ranger Manual Transmission Identification can be effectively utilized in everyday scenarios.
5. In chapter 4, this book will scrutinize the relevance of Ford Ranger Manual Transmission Identification in specific contexts. The fourth chapter will explore how Ford Ranger Manual Transmission Identification is applied in specialized fields, such as education, business, and technology.
6. In chapter 5, this book will draw a conclusion about Ford Ranger Manual Transmission Identification. The final chapter will summarize the key points that have been discussed throughout the book.  
The book is crafted in an easy-to-understand language and is complemented by engaging illustrations. This book is highly recommended for anyone seeking to gain a comprehensive understanding of Ford Ranger Manual Transmission Identification.

[https://staging.conocer.cide.edu/data/publication/index.jsp/Jl\\_Audio\\_Cleansweep\\_Wiring\\_Diagram.pdf](https://staging.conocer.cide.edu/data/publication/index.jsp/Jl_Audio_Cleansweep_Wiring_Diagram.pdf)

## **Table of Contents Ford Ranger Manual Transmission Identification**

1. Understanding the eBook Ford Ranger Manual Transmission Identification
  - The Rise of Digital Reading Ford Ranger Manual Transmission Identification
  - Advantages of eBooks Over Traditional Books
2. Identifying Ford Ranger Manual Transmission Identification
  - Exploring Different Genres
  - Considering Fiction vs. Non-Fiction
  - Determining Your Reading Goals
3. Choosing the Right eBook Platform
  - Popular eBook Platforms
  - Features to Look for in an Ford Ranger Manual Transmission Identification
  - User-Friendly Interface
4. Exploring eBook Recommendations from Ford Ranger Manual Transmission Identification
  - Personalized Recommendations
  - Ford Ranger Manual Transmission Identification User Reviews and Ratings
  - Ford Ranger Manual Transmission Identification and Bestseller Lists
5. Accessing Ford Ranger Manual Transmission Identification Free and Paid eBooks
  - Ford Ranger Manual Transmission Identification Public Domain eBooks
  - Ford Ranger Manual Transmission Identification eBook Subscription Services
  - Ford Ranger Manual Transmission Identification Budget-Friendly Options
6. Navigating Ford Ranger Manual Transmission Identification eBook Formats
  - ePub, PDF, MOBI, and More
  - Ford Ranger Manual Transmission Identification Compatibility with Devices
  - Ford Ranger Manual Transmission Identification Enhanced eBook Features
7. Enhancing Your Reading Experience
  - Adjustable Fonts and Text Sizes of Ford Ranger Manual Transmission Identification
  - Highlighting and Note-Taking Ford Ranger Manual Transmission Identification
  - Interactive Elements Ford Ranger Manual Transmission Identification

8. Staying Engaged with Ford Ranger Manual Transmission Identification
  - Joining Online Reading Communities
  - Participating in Virtual Book Clubs
  - Following Authors and Publishers Ford Ranger Manual Transmission Identification
9. Balancing eBooks and Physical Books Ford Ranger Manual Transmission Identification
  - Benefits of a Digital Library
  - Creating a Diverse Reading Collection Ford Ranger Manual Transmission Identification
10. Overcoming Reading Challenges
  - Dealing with Digital Eye Strain
  - Minimizing Distractions
  - Managing Screen Time
11. Cultivating a Reading Routine Ford Ranger Manual Transmission Identification
  - Setting Reading Goals Ford Ranger Manual Transmission Identification
  - Carving Out Dedicated Reading Time
12. Sourcing Reliable Information of Ford Ranger Manual Transmission Identification
  - Fact-Checking eBook Content of Ford Ranger Manual Transmission Identification
  - Distinguishing Credible Sources
13. Promoting Lifelong Learning
  - Utilizing eBooks for Skill Development
  - Exploring Educational eBooks
14. Embracing eBook Trends
  - Integration of Multimedia Elements
  - Interactive and Gamified eBooks

### **Ford Ranger Manual Transmission Identification Introduction**

Ford Ranger Manual Transmission Identification Offers over 60,000 free eBooks, including many classics that are in the public domain. Open Library: Provides access to over 1 million free eBooks, including classic literature and contemporary works. Ford Ranger Manual Transmission Identification Offers a vast collection of books, some of which are available for free as PDF downloads, particularly older books in the public domain. Ford Ranger Manual Transmission Identification : This website hosts a vast collection of scientific articles, books, and textbooks. While it operates in a legal gray area due to

copyright issues, its a popular resource for finding various publications. Internet Archive for Ford Ranger Manual Transmission Identification : Has an extensive collection of digital content, including books, articles, videos, and more. It has a massive library of free downloadable books. Free-eBooks Ford Ranger Manual Transmission Identification Offers a diverse range of free eBooks across various genres. Ford Ranger Manual Transmission Identification Focuses mainly on educational books, textbooks, and business books. It offers free PDF downloads for educational purposes. Ford Ranger Manual Transmission Identification Provides a large selection of free eBooks in different genres, which are available for download in various formats, including PDF. Finding specific Ford Ranger Manual Transmission Identification, especially related to Ford Ranger Manual Transmission Identification, might be challenging as theyre often artistic creations rather than practical blueprints. However, you can explore the following steps to search for or create your own Online Searches: Look for websites, forums, or blogs dedicated to Ford Ranger Manual Transmission Identification, Sometimes enthusiasts share their designs or concepts in PDF format. Books and Magazines Some Ford Ranger Manual Transmission Identification books or magazines might include. Look for these in online stores or libraries. Remember that while Ford Ranger Manual Transmission Identification, sharing copyrighted material without permission is not legal. Always ensure youre either creating your own or obtaining them from legitimate sources that allow sharing and downloading. Library Check if your local library offers eBook lending services. Many libraries have digital catalogs where you can borrow Ford Ranger Manual Transmission Identification eBooks for free, including popular titles. Online Retailers: Websites like Amazon, Google Books, or Apple Books often sell eBooks. Sometimes, authors or publishers offer promotions or free periods for certain books. Authors Website Occasionally, authors provide excerpts or short stories for free on their websites. While this might not be the Ford Ranger Manual Transmission Identification full book , it can give you a taste of the authors writing style. Subscription Services Platforms like Kindle Unlimited or Scribd offer subscription-based access to a wide range of Ford Ranger Manual Transmission Identification eBooks, including some popular titles.

### **FAQs About Ford Ranger Manual Transmission Identification Books**

How do I know which eBook platform is the best for me? Finding the best eBook platform depends on your reading preferences and device compatibility. Research different platforms, read user reviews, and explore their features before making a choice. Are free eBooks of good quality? Yes, many reputable platforms offer high-quality free eBooks, including classics and public domain works. However, make sure to verify the source to ensure the eBook credibility. Can I read eBooks without an eReader? Absolutely! Most eBook platforms offer web-based readers or mobile apps that allow you to read eBooks on your computer, tablet, or smartphone. How do I avoid digital eye strain while reading eBooks? To prevent digital

eye strain, take regular breaks, adjust the font size and background color, and ensure proper lighting while reading eBooks. What the advantage of interactive eBooks? Interactive eBooks incorporate multimedia elements, quizzes, and activities, enhancing the reader engagement and providing a more immersive learning experience. Ford Ranger Manual Transmission Identification is one of the best book in our library for free trial. We provide copy of Ford Ranger Manual Transmission Identification in digital format, so the resources that you find are reliable. There are also many Ebooks of related with Ford Ranger Manual Transmission Identification. Where to download Ford Ranger Manual Transmission Identification online for free? Are you looking for Ford Ranger Manual Transmission Identification PDF? This is definitely going to save you time and cash in something you should think about.

### **Find Ford Ranger Manual Transmission Identification :**

[jl audio cleansweep wiring diagram](#)

**[jim morrison before the fire](#)**

**[jindabyne film study guide](#)**

[jeep wrangler tj service manual](#)

[jincheng service manual](#)

**[jenn air convection wall oven manual](#)**

[jetta 2000 manual](#)

[jeppesen student route manual](#)

[jentends battre le coeur de la chine](#)

[jesus ascension for preschoolers](#)

**[jkuat westlands campus may 2015 intake deadline for application](#)**

[jesus goes to heaven coloring page](#)

**[jetta tdi manual transmission conversion](#)**

[jesus forgives sins coloring page](#)

[jewish holiday origami joel stern](#)

### **Ford Ranger Manual Transmission Identification :**

*a game of thrones das offizielle kochbuch orell füssli - Feb 08 2023*

web beschreibung bestsellerautor george r r martin kann zwar nicht kochen dafür kann er sich jedoch für die helden und



schurken seiner fantasysaga das lied von eis und feuer umso raffiniere köstlichkeiten ausdenken seine detailreichen beschreibungen von üppigen weiterlesen

[a game of thrones das offizielle kochbuch hardcover](#) - Jul 01 2022

web a game of thrones das offizielle kochbuch on amazon com au free shipping on eligible orders a game of thrones das offizielle kochbuch

**a game of thrones das offizielle kochbuch gebundene ausgabe amazon de** - Sep 15 2023

web a game of thrones das offizielle kochbuch chelsea monroe cassel sariann lehrer george r r martin diana bürgel isbn 9783938922439 kostenloser versand für alle bücher mit versand und verkauf duch amazon

**amazon de kundenrezensionen a game of thrones das offizielle kochbuch** - Aug 02 2022

web finde hilfreiche kundenrezensionen und rezensionsbewertungen für a game of thrones das offizielle kochbuch auf amazon de lese ehrliche und unvoreingenommene rezensionen von unseren nutzern

**a game of thrones das offizielle kochbuch lovelybooks** - Apr 10 2023

web das a game of thrones das offizielle kochbuch ist 224 seiten lang und beim zauberfeder verlag erschienen die hardcoverausgabe kommt in seiner sehr schönen qualität mit einem tollen verschnörkelten cover jede menge farbfotos im innenteil und tolle glänzende dicke leseseiten

*a game of thrones das offizielle kochbuch neues buch* - Oct 04 2022

web a game of thrones das offizielle kochbuch finden sie alle bücher von chelsea monroe cassel bei der büchersuchmaschine eurobuch com können sie antiquarische und neubücher vergleichen und sofort zum bestpreis bestellen bestsellerautor george r r martin kann zwar nicht kochen dafür kann er sich

[a game of thrones das offizielle kochbuch aus meinem](#) - Feb 25 2022

web game of thrones das offizielle kochbuch ist erschienen im zauberfeder verlag ein name wie extra für das buch gemacht die schöne aufmachung des kleinen werkes kann man an den beispieleseiten die der verlag freundlicherweise zur verfügung stellte

*a game of thrones das offizielle kochbuch goodreads* - Mar 09 2023

web read 174 reviews from the world s largest community for readers bestsellerautor george r r martin kann zwar nicht kochen dafür kann er sich jedoch für

*game of thrones das offizielle kochbuch elbenwald* - Dec 06 2022

web übersetzt von diana bürgel gebundene ausgabe 21 x 20 cm bestsellerautor george r r martin kann zwar nicht kochen dafür kann er sich jedoch für die helden und schurken seiner fantasysaga das lied von eis und feuer umso

[a game of thrones das offizielle kochbuch kotte zeller](#) - Sep 03 2022

web details zu a game of thrones das offizielle kochbuch hardcover 224 seiten gewicht ca 777g format ca 21 x 21 5 cm isbn 978 3 938922 43 9 verlag zauberfeder

**a game of thrones das offizielle kochbuch weltbild** - Jun 12 2023

web a game of thrones das offizielle kochbuch bestsellerautor george r r martin kann zwar nicht kochen dafür kann er sich jedoch für die helden und schurken seiner fantasysaga das lied von eis und feuer umso raffiniertere köstlichkeiten ausdenken seine detailreichen beschreibungen von üppigen

**a game of thrones das offizielle kochbuch german hardcover** - Apr 29 2022

web hello sign in account lists returns orders cart

a game of thrones das offizielle kochbuch battle merchant - Mar 29 2022

web a game of thrones das offizielle kochbuch von chelsea monroe cassel und sariann lehrer bestsellerautor george r r martin kann zwar nicht kochen dafür kann er sich jedoch für die helden und schurken seinerfantasysaga das lied von eis und feuer umso raffiniertere köstlichkeiten ausdenken

*a game of thrones das offizielle kochbuch neues buch eurobuch de* - May 11 2023

web autor in chelsea monroe cassel sariann lehrer titel a game of thrones das offizielle kochbuch verlag zauberfeder verlag erscheinungsjahr 2013 07 20 braunschweig de gedruckt hergestellt in litauen

**a game of thrones das offizielle kochbuch kochbuch couch de** - Nov 05 2022

web für game of thrones fans und freunde der mittelalterlichen küche ist das offizielle kochbuch aus dem zauberfeder verlag eine wunderbare möglichkeit um auch kulinarisch in die große serienwelt einzutauchen und bietet sich als attraktive geschenkidee an

*a game of thrones das offizielle kochbuch thalia* - Jul 13 2023

web beschreibung bestsellerautor george r r martin kann zwar nicht kochen dafür kann er sich jedoch für die helden und schurken seiner fantasysaga das lied von eis und feuer umso raffiniertere köstlichkeiten ausdenken seine detailreichen beschreibungen von üppigen weiterlesen

*a game of thrones das offizielle kochbuch hardcover* - Jan 07 2023

web buy a game of thrones das offizielle kochbuch by 9783938922439 from amazon uk s books shop free delivery on eligible orders a game of thrones das offizielle kochbuch monroe cassel chelsea lehrer sariann

**from the sands of dorne eine ergänzung zu a game of thrones das** - May 31 2022

web feurige hauptgerichte erfrischende getränke und raffinierte desserts in from the sands of dorne einem ergänzungsband zu a game of thrones das offizielle kochbuch widmet sich die autorin chelsea monroe cassel den kulinarischen besonderheiten des exotischsten aller länder westeros

**game of thrones bei bücher de** - Jan 27 2022

web a game of thrones das offizielle kochbuch gebundenes buch bestsellerautor george r r martin kann zwar nicht kochen dafür kann er sich jedoch für die helden und schurken seiner fantasysaga das lied von eis und feuer

[a game of thrones das offizielle kochbuch ciltli kapak](#) - Aug 14 2023

web a game of thrones das offizielle kochbuch chelsea monroe cassel sariann lehrer amazon com tr kitap

**İstanbul arel university accounting and financial management** - Aug 25 2022

web subject financial accounting i course code bba 104 author dr b s bodla lesson 2 vetter accounting concepts and conventions structure 418 pages

[financial accounting bba llb b com llb1 studocu](#) - May 22 2022

web cost accounting and management accounting b s raman unitedÂ 66 pages view pdf arulanandam raman â financial accounting â i hph least cost

**loading interface goodreads** - Dec 17 2021

web jun 25 2023 accounting and finance are the language of business understanding and applying this language to your business and to business in general remains the single

[amazon in b s raman books](#) - Jul 04 2023

web jan 1 2015 financial accounting 1 textbook binding 1 january 2015 finincial accounting1 accounting standards bank reconcilliation

**accounting amity university** - Jun 22 2022

web text amp references dr s maheswari financial accounting bs raman financial accounting grewal and gupta advanced accounting radhaswamy and r gupta

**bachelor of commerce bachelor of law honors b com llb** - Jan 18 2022

web discover and share books you love on goodreads

[bachelor s degrees in accounting in turkey bachelorsportal com](#) - Nov 27 2022

web in line with the global trend in enabling a common language for financial reporting the institute of chartered accountants of sri lanka have taken steps to adopt international

[cost accounting i all india university reference book ebook](#) - Mar 20 2022

web corporate accounting by bs raman download free pdf or buy books home corporate accounting by bs raman download corporate accounting by bs raman pdf

[details for financial accounting bs raman acharya library](#) - Feb 28 2023

web b s raman is the novelist of financial accounting vol 1 3 46 avg rating 13 reviews 0 reviews financial betriebswirtschaft 5

00 avg rating 2 ratings 0 reviews

**financial data analysis training istanbul turkey** - Nov 15 2021

**bs raman accounting download free pdf or buy books** - Oct 07 2023

web found 90 pdf ebooks cpa california arizona education bs accountancy raman has over 20 years of experience in public accounting seven of which were with a big

*download corporate accounting by bs raman pdf* - Feb 16 2022

web dr s n maheswari financial accounting bs raman financial accounting grewal and gupta advanced accounting radhaswamy and r l gupta advanced accounting s kr paul advanced accounting p c tulasian pearson editions introduction to accounting jain narang financial accounting

**download accounting 1 by bs raman pdf ebooknetworking net** - Oct 27 2022

web objectives this program makes students more marketable for finance careers students learn the quantitative skills required to analyze financial information make financial

**download basic accounting by bs raman pdf** - Apr 01 2023

web financial accounting bs raman by raman bs material type text publication details mangalore united publisher 2006 edition 2 description 396 ddc classification 657 ram

*download principles of auditing by bs raman pdf* - Jul 24 2022

web bs raman financial accounting grewal and gupta advanced accounting radhaswamy and r l gupta advanced accounting s kr paul advanced

**download advanced accountancy by bs raman pdf** - Aug 05 2023

web financial accounting by b s raman 4 advanced accounting by radhaswamy and r l gupta 5 advanced financial accounting by anil kumar others 6 view pdf s p

**b s raman author of financial accounting vol 1 goodreads** - Sep 06 2023

web b s raman is the author of financial accounting vol 1 3 46 avg rating 13 ratings 0 reviews financial management 5 00 avg rating 2 ratings 0 reviews

*download cost accounting by bs raman pdf* - Apr 20 2022

web prof b s raman author is a well known author who explains the theory as well as problems in a simple way this book will be very useful for those who want to gain

[b s raman author of financial accounting vol 1 financial](#) - Jan 30 2023

web shop for all old new latest bs raman books online at discount prices in india at sapnaonline com largest online book store

compare book prices save more free

**bs raman books buy bs raman books online at best prices in** - Dec 29 2022

web accounting degrees accounting is the foundation of informed decision making in business as a student you ll master recording analysing and communicating financial

**ms in finance İstanbul** - Sep 25 2022

web in the department of accounting and financial management in addition to basic courses such as accounting finance tax audit in theory and practice the necessary training is

*financial accounting 1 b s raman amazon in books* - Jun 03 2023

web nov 4 2018 financial accounting vol 2 all india universities reference book by b s raman 8 june 2018 6 kindle edition 0 free with kindle unlimited membership learn

*amazon in bs raman books* - May 02 2023

web concepts and mechanics of financial accounting or the detailed procedures of bookkeeping however chapter 1 presents a complete review of the basic fun view

simon ramo fields and waves solution manual pdf old cosmc - Feb 08 2023

web you could purchase guide fields and waves simon ramo solution manual or acquire it as soon as feasible you could quickly download this fields and waves simon ramo

fields and waves simon ramo solution manual pdf uniport edu - Aug 02 2022

web right here we have countless books simon ramo fields and waves solution manual and collections to check out we additionally have the funds for variant types and along

**fields and waves simon ramo solution manual pdf** - Jan 27 2022

web jun 7 2023 acquire those all we manage to pay for simon ramo fields and waves solution manual and numerous books collections from fictions to scientific research in

*simon ramo fields and waves solution manual issuu* - May 11 2023

web mar 25 2017 view solution manual to ramo book chapter 3 from ece 604 at purdue university solutions manual to accompany fields and waves in

*solution manual for fields and waves in communication scribd* - Aug 14 2023

web solution manual for fields and waves in communication electronics 3rd edition free download as pdf file pdf or read online for free solution manual for fields and

**simon ramo fields and waves solution manual** - Jul 01 2022

web oct 22 2022 their favorite books as soon as this simon ramo fields and waves solution manual but stop happening in

harmful downloads rather than enjoying a

[simon ramo fields and waves solution manual full pdf](#) - Sep 03 2022

web jul 28 2023 solutions manual to accompany fields and waves in communications electronics ramo 1985 09 01 fields and waves in communication electronics simon

**simon ramo fields and waves solution manual pdf** - May 31 2022

web may 9th 2018 simon ramo fields and waves solution manual simon ramo fields and waves solution manual title ebooks simon ramo fields and waves solution

[solution manual fields and waves in communication electronics](#) - Jul 13 2023

web jan 13 2021 solutions to the problems in fields and waves in communication electronics 3rd ed by simon ramo john r whinnery theodore van duzer show more

[simon ramo fields and waves solution manual copy uniport edu](#) - Dec 26 2021

web dec 20 2022 simon ramo fields and waves solution manual but stop up in harmful downloads rather than enjoying a good pdf later a mug of coffee in the afternoon

**simon ramo fields and waves solution manual download** - Oct 24 2021

web nov 14 2022 simon ramo fields and waves solution manual recognizing the pretentiousness ways to get this books simon ramo fields and waves solution

**simon ramo fields and waves solution manual issuu** - Dec 06 2022

web solution manual for fields and waves in communication simon ramo fields and waves solution manual fields and waves in communication electronics 3rd edition

**solution manual to ramo book chapter 3 course hero** - Apr 10 2023

web may 11 2020 solution manual fields and waves in communication electronics 3rd ed simon ramo john r whinnery theodore van duzer solution manual electric

**simon ramo fields and waves solution manual download** - Sep 22 2021

[solutions manual to accompany fields and waves in](#) - Jun 12 2023

web solutions manual to accompany fields and waves in communication electronics authors simon ramo john r whinnery theodore van duzer print book english 1985

*simon ramo fields and waves solution manual download* - Nov 05 2022

web dec 18 2006 need solution manual fields waves simon ramo thread starter drugler start date dec 18 2006 status not open for further replies dec 18 2006 1 d

**simon ramo fields and waves solution manual pdf uniport edu** - Mar 29 2022

web jan 27 2023 simon ramo fields and waves solution manual 3 3 majoring in physics but taken by students from other departments as well the book describes the features

**simon ramo fields and waves solution manual** - Apr 29 2022

web may 6 2023 download and install the simon ramo fields and waves solution manual it is certainly easy then back currently we extend the colleague to buy and make bargains

**fields and waves simon ramo solution manual download** - Jan 07 2023

web sep 20 2017 pdf file simon ramo fields and waves solution manual page 1 save this book to read simon ramo fields and waves solution manual pdf ebook at our

simon ramo fields and waves solution manual download - Nov 24 2021

web nov 16 2022 simon ramo fields and waves solution manual 1 2 downloaded from redmine amtexsystems com on november 16 2022 by guest simon ramo fields and

**solution manual fields and waves in communication electronics** - Mar 09 2023

web save this book to read simon ramo fields and waves solution manual pdf ebook at our online library get simon ramo fields and waves solution manual pdf file for

**simon ramo fields and waves solution manual pdf** - Feb 25 2022

web apr 8 2023 fields and waves in communication electronics simon ramo 1994 02 09 this comprehensive revision begins with a review of static electric and magnetic fields

**need solution manual fields waves simon ramo** - Oct 04 2022

web simon ramo fields and waves solution manual 1 simon ramo fields and waves solution manual field and wave in communication electronics third edition simon