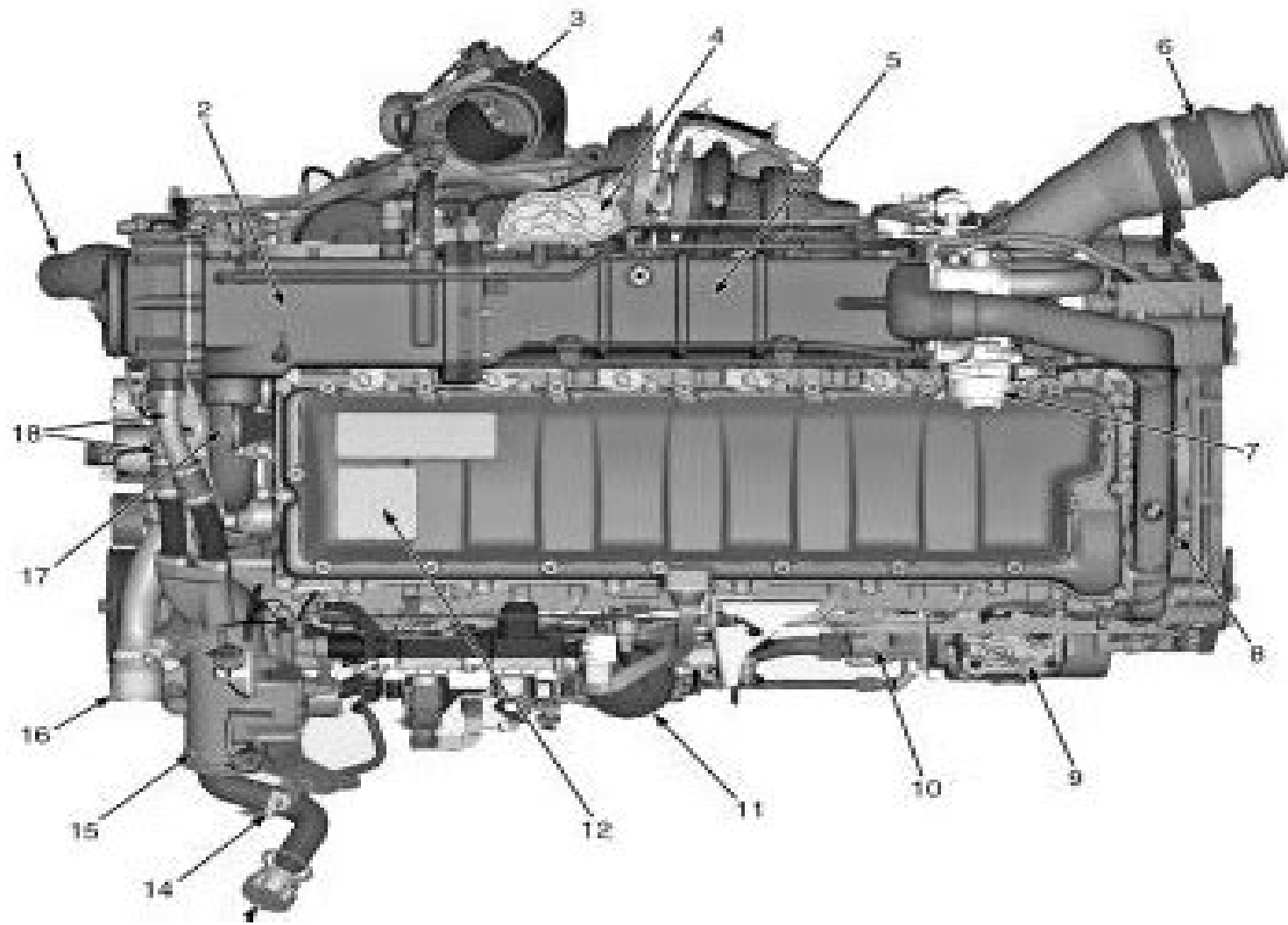


DIAGNOSTIC MANUAL

MaxxForce[®] 11 and 13 Engine



Maxxforce 13 Service Manual

Shasha Hu



Maxxforce 13 Service Manual:

Reviewing **Maxxforce 13 Service Manual**: Unlocking the Spellbinding Force of Linguistics

In a fast-paced world fueled by information and interconnectivity, the spellbinding force of linguistics has acquired newfound prominence. Its capacity to evoke emotions, stimulate contemplation, and stimulate metamorphosis is truly astonishing. Within the pages of "**Maxxforce 13 Service Manual**," an enthralling opus penned by a highly acclaimed wordsmith, readers set about an immersive expedition to unravel the intricate significance of language and its indelible imprint on our lives. Throughout this assessment, we shall delve in to the book is central motifs, appraise its distinctive narrative style, and gauge its overarching influence on the minds of its readers.

https://staging.conocer.cide.edu/files/scholarship/fetch.php/How_To_Build_Adobe_Concrete_Block_Hous.pdf

Table of Contents Maxxforce 13 Service Manual

1. Understanding the eBook Maxxforce 13 Service Manual
 - The Rise of Digital Reading Maxxforce 13 Service Manual
 - Advantages of eBooks Over Traditional Books
2. Identifying Maxxforce 13 Service Manual
 - Exploring Different Genres
 - Considering Fiction vs. Non-Fiction
 - Determining Your Reading Goals
3. Choosing the Right eBook Platform
 - Popular eBook Platforms
 - Features to Look for in an Maxxforce 13 Service Manual
 - User-Friendly Interface
4. Exploring eBook Recommendations from Maxxforce 13 Service Manual
 - Personalized Recommendations
 - Maxxforce 13 Service Manual User Reviews and Ratings
 - Maxxforce 13 Service Manual and Bestseller Lists

5. Accessing Maxxforce 13 Service Manual Free and Paid eBooks
 - Maxxforce 13 Service Manual Public Domain eBooks
 - Maxxforce 13 Service Manual eBook Subscription Services
 - Maxxforce 13 Service Manual Budget-Friendly Options
6. Navigating Maxxforce 13 Service Manual eBook Formats
 - ePub, PDF, MOBI, and More
 - Maxxforce 13 Service Manual Compatibility with Devices
 - Maxxforce 13 Service Manual Enhanced eBook Features
7. Enhancing Your Reading Experience
 - Adjustable Fonts and Text Sizes of Maxxforce 13 Service Manual
 - Highlighting and Note-Taking Maxxforce 13 Service Manual
 - Interactive Elements Maxxforce 13 Service Manual
8. Staying Engaged with Maxxforce 13 Service Manual
 - Joining Online Reading Communities
 - Participating in Virtual Book Clubs
 - Following Authors and Publishers Maxxforce 13 Service Manual
9. Balancing eBooks and Physical Books Maxxforce 13 Service Manual
 - Benefits of a Digital Library
 - Creating a Diverse Reading Collection Maxxforce 13 Service Manual
10. Overcoming Reading Challenges
 - Dealing with Digital Eye Strain
 - Minimizing Distractions
 - Managing Screen Time
11. Cultivating a Reading Routine Maxxforce 13 Service Manual
 - Setting Reading Goals Maxxforce 13 Service Manual
 - Carving Out Dedicated Reading Time
12. Sourcing Reliable Information of Maxxforce 13 Service Manual
 - Fact-Checking eBook Content of Maxxforce 13 Service Manual
 - Distinguishing Credible Sources
13. Promoting Lifelong Learning

- Utilizing eBooks for Skill Development
 - Exploring Educational eBooks
14. Embracing eBook Trends
- Integration of Multimedia Elements
 - Interactive and Gamified eBooks

Maxxforce 13 Service Manual Introduction

Maxxforce 13 Service Manual Offers over 60,000 free eBooks, including many classics that are in the public domain. Open Library: Provides access to over 1 million free eBooks, including classic literature and contemporary works. Maxxforce 13 Service Manual Offers a vast collection of books, some of which are available for free as PDF downloads, particularly older books in the public domain. Maxxforce 13 Service Manual : This website hosts a vast collection of scientific articles, books, and textbooks. While it operates in a legal gray area due to copyright issues, its a popular resource for finding various publications. Internet Archive for Maxxforce 13 Service Manual : Has an extensive collection of digital content, including books, articles, videos, and more. It has a massive library of free downloadable books. Free-eBooks Maxxforce 13 Service Manual Offers a diverse range of free eBooks across various genres. Maxxforce 13 Service Manual Focuses mainly on educational books, textbooks, and business books. It offers free PDF downloads for educational purposes. Maxxforce 13 Service Manual Provides a large selection of free eBooks in different genres, which are available for download in various formats, including PDF. Finding specific Maxxforce 13 Service Manual, especially related to Maxxforce 13 Service Manual, might be challenging as theyre often artistic creations rather than practical blueprints. However, you can explore the following steps to search for or create your own Online Searches: Look for websites, forums, or blogs dedicated to Maxxforce 13 Service Manual, Sometimes enthusiasts share their designs or concepts in PDF format. Books and Magazines Some Maxxforce 13 Service Manual books or magazines might include. Look for these in online stores or libraries. Remember that while Maxxforce 13 Service Manual, sharing copyrighted material without permission is not legal. Always ensure youre either creating your own or obtaining them from legitimate sources that allow sharing and downloading. Library Check if your local library offers eBook lending services. Many libraries have digital catalogs where you can borrow Maxxforce 13 Service Manual eBooks for free, including popular titles. Online Retailers: Websites like Amazon, Google Books, or Apple Books often sell eBooks. Sometimes, authors or publishers offer promotions or free periods for certain books. Authors Website Occasionally, authors provide excerpts or short stories for free on their websites. While this might not be the Maxxforce 13 Service Manual full book , it can give you a taste of the authors writing style. Subscription Services Platforms like Kindle Unlimited or Scribd offer subscription-based access to a wide range of Maxxforce 13 Service Manual eBooks, including some

popular titles.

FAQs About Maxxforce 13 Service Manual Books

What is a Maxxforce 13 Service Manual PDF? A PDF (Portable Document Format) is a file format developed by Adobe that preserves the layout and formatting of a document, regardless of the software, hardware, or operating system used to view or print it. **How do I create a Maxxforce 13 Service Manual PDF?** There are several ways to create a PDF: Use software like Adobe Acrobat, Microsoft Word, or Google Docs, which often have built-in PDF creation tools. Print to PDF: Many applications and operating systems have a "Print to PDF" option that allows you to save a document as a PDF file instead of printing it on paper. Online converters: There are various online tools that can convert different file types to PDF. **How do I edit a Maxxforce 13 Service Manual PDF?** Editing a PDF can be done with software like Adobe Acrobat, which allows direct editing of text, images, and other elements within the PDF. Some free tools, like PDFescape or Smallpdf, also offer basic editing capabilities. **How do I convert a Maxxforce 13 Service Manual PDF to another file format?** There are multiple ways to convert a PDF to another format: Use online converters like Smallpdf, Zamzar, or Adobe Acrobats export feature to convert PDFs to formats like Word, Excel, JPEG, etc. Software like Adobe Acrobat, Microsoft Word, or other PDF editors may have options to export or save PDFs in different formats. **How do I password-protect a Maxxforce 13 Service Manual PDF?** Most PDF editing software allows you to add password protection. In Adobe Acrobat, for instance, you can go to "File" -> "Properties" -> "Security" to set a password to restrict access or editing capabilities. Are there any free alternatives to Adobe Acrobat for working with PDFs? Yes, there are many free alternatives for working with PDFs, such as: LibreOffice: Offers PDF editing features. PDFsam: Allows splitting, merging, and editing PDFs. Foxit Reader: Provides basic PDF viewing and editing capabilities. How do I compress a PDF file? You can use online tools like Smallpdf, ILovePDF, or desktop software like Adobe Acrobat to compress PDF files without significant quality loss. Compression reduces the file size, making it easier to share and download. Can I fill out forms in a PDF file? Yes, most PDF viewers/editors like Adobe Acrobat, Preview (on Mac), or various online tools allow you to fill out forms in PDF files by selecting text fields and entering information. Are there any restrictions when working with PDFs? Some PDFs might have restrictions set by their creator, such as password protection, editing restrictions, or print restrictions. Breaking these restrictions might require specific software or tools, which may or may not be legal depending on the circumstances and local laws.

Find Maxxforce 13 Service Manual :

~~how to build adobe concrete block hous~~

how to evaluate a development proposal in your community

how to build kitchen cabinets counters and vanities

~~how to build fiber glab hotrods customs kit cars~~

how to create highimpact designs

how to get through your struggles

how to earn more using the professional excellence system for managing professionals

how to discipline your child with love christian parenting library32953

~~how to form a catechumenate team~~

how to invite wildlife into your backyard

how to find love in 60 days

how to build your first vacuum tube rege

~~how to draw new yorks sights and symbols a kids guide to drawing america~~

how to enjoy your amateur radio license

~~how to deal with difficult discipline problems in the school~~

Maxxforce 13 Service Manual :

100 things predators fans should know do before they die - Dec 06 2022

web 100 things predators fans should know do before they die 100 things fans should know ebook glennon john fisher mike amazon com au kindle store

47 examples of predators a to z list with pictures fauna facts - Jan 27 2022

web nov 6 2018 most predators fans have attended a game at bridgestone arena watched every captivating minute of the 2017 stanley cup and remember exactly where they

100 things predators fans should know do before they die - Nov 24 2021

web amazon in buy 100 things predators fans should know do before they die 100 things fans should know book online at best prices in india on amazon in read

100 things predators fans should know amp do before they die - Jul 13 2023

web nov 6 2018 nashville sportswriter john glennon has collected every essential piece of preds knowledge and trivia as

well as must do activities and ranks them all from 1 to

100 things predators fans should know do before they die - Oct 24 2021

web buy 100 things predators fans should know do before they die 100 things fans should know by john glennon mike fisher isbn 9781629375373 from amazon s

100 things predators fans should know do before they die - Sep 03 2022

web isbn 10 1629375373 isbn 13 978 1629375373 publisher triumph books november 6 2018 language english paperback 320 pages reading age none dimensions 5 5 x

100 things predators fans should know do before they die - May 11 2023

web 100 things predators fans should know do before they die book read reviews from world s largest community for readers most predators fans have attend

100 things predators fans should know do before they die - Sep 22 2021

top 10 predators creature countdowns howstuffworks - Feb 25 2022

web nov 20 2021 47 examples of predators a to z list with pictures by garreth november 20 2021 predators are animals that hunt and kill other animals for food and their diet

100 things predators fans should know do before they die - Feb 08 2023

web 100 things predators fans should know do before they die 100 things fans should know ebook glennon john fisher mike amazon ca kindle store

100 things predators fans should know do before they die - Oct 04 2022

web scribd is the world s largest social reading and publishing site

100 things predators fans should know do before t pdf - May 31 2022

web 100 things predators fans should know do before they die the sparrow jet 100 things senators fans should know do before they die scholastic year in sports

100 things predators fans should know do before they die - Aug 02 2022

web jul 27 2023 the ultimate resource guide for true fans of colorado hockey whether you re a die hard fan from the days of marc crawford or a new supporter of patrick roy and the

100 things predators fans should know do before t pdf copy - Jul 01 2022

web radio voice of the flames before peter maher 100 things flames fans should know do before they die is the ultimate resource guide for true fans of calgary hockey

100 things predators fans should know do before they die - Jan 07 2023

web nov 6 2018 nashville sportswriter john glennon has collected every essential piece of preds knowledge and trivia as well as must do activities and ranks them all from 1 to

100 things predators fans should know do before they die - Mar 09 2023

web buy 100 things predators fans should know do before they die by glennon john fisher mike online on amazon ae at best prices fast and free shipping free returns

100 things predators fans should know do before they die - Nov 05 2022

web nov 6 2018 100 things predators fans should know do before they die by john glennon nov 06 2018 triumph books edition paperback

100thingspredatorsfansshouldknowdobeforet 2022 - Apr 29 2022

web 100 things predators fans should know do before they die 100 things fans should know idioma inglés by john glennon mike fisher reseña del editor most predators

100 things predators fans should know do before - Apr 10 2023

web nashville sportswriter john glennon has collected every essential piece of preds knowledge and trivia as well as must do activities and ranks them all from 1 to 100 providing an

100 things predators fans should know do before they die - Dec 26 2021

web 100 things predators fans should know do before they die glennon john fisher mike amazon sg books

100 things predators fans should know do before they die - Aug 14 2023

web nov 6 2018 100 things predators fans should know do before they die 100 things fans should know glennon john fisher mike on amazon com free

100 things predators fans should know do before they die 100 - Mar 29 2022

web africa is home to some pretty intimidating predators but the most fearsome animal may well be the black mamba the giant venomous snake found throughout the southeastern

100 things predators fans should know do before they die - Jun 12 2023

web 100 things predators fans should know do before they die glennon john fisher mike 9781629375373 books amazon ca tennessee handgun carry permit royal range usa - Jan 29 2022

web reliable handgun rentals available if needed 50 rounds of practice ammunition eye and ear protection handgun carry permit process 1 go to apply for a handgun permit dl safety tn gov 2 fill out the application 3 print the state application number and bring to class

handgun carry permit renewal county clerk anytime - Dec 08 2022

web 625 georgia avenue room 201 chattanooga tn 37402 1 handgun carry permit renewals for the speediest transaction

bring the permit renewal form you received in the mail otherwise no documentation is needed if the department of safety has the permittee's current handgun permit in their system

frequently asked questions tennessee state government tn gov - Feb 10 2023

web frequently asked questions does tennessee require a handgun be concealed can i renew my handgun carry permit before it expires if my handgun carry permit has expired can i still renew what states recognize tennessee handgun carry permits

how do i renew a handgun carry permit where can handguns not be carried

how to get an online tn ccw permit 2023 gun university - Nov 07 2022

web jan 8 2021 to apply for a tennessee handgun carry permit renewal online visit online services under the handgun permit tab and fill out the application once the application is completed the renewal fee of 50 00 will be paid on the website

tennessee code 39 17 1351 2021 enhanced handgun carry permit - Mar 31 2022

web the following are eligibility requirements for obtaining an enhanced handgun carry permit and the application shall require the applicant to disclose and confirm compliance with under oath the following information concerning the applicant and the eligibility requirements full legal name and any aliases addresses for the last five 5 years

handgun permit types tennessee state government tn gov - Mar 11 2023

web jan 1 2020 effective 1 1 2020 the current handgun carry permit will be referred to as an enhanced handgun carry permit application fee of 100 65 if active or honorably discharged military allows open or concealed carry permits will

handgun permit fees tn gov - Jan 09 2023

web original renewal or upgrade when you renew your permit the new expiration date will be eight 8 years from the date the renewal permit was issued permits expire eight 8 years from the date of issuance duplicate military discount enhanced handgun carry permit only public chapter no 866 section 2 signed may 18 2014 st ates

how do i renew my tennessee handgun carry permit - Dec 28 2021

web may 21 2009 how do i renewing my tennessee handguns carry permit how do i renew a shoulder carry permitting will handgun carry permit will run to 4 years from the date it is issued renewals can exist registered up to six 6 months prior to the maturity day if the handgun carry allows has being expired great

how to apply handgun carry permit renewal - Jul 03 2022

web the first step of applying for an original tennessee handgun carry permit be to to complete the claim online under the handgun permit tab once one application has been completed if you are don otherwise exempt you must attend an

handgun carry permits tennessee state government tn gov - Jun 14 2023

web handgun carry permits handgun permit online services handgun permit types how to apply handgun permit fees eligibility requirements reciprocity handgun related laws child safety locate a handgun safety school become an instructor

school or approved online class frequently asked questions helpful links join tennessee

tennessee gun permit laws cost restrictions faqs gls - Sep 05 2022

web do i need a permit to conceal carry firearms in tennessee yes to conceal carry firearms you need a tennessee issued pistol license for how long is tennessee pistol permit valid tennessee gun license is valid for eight years after which you have to apply for a renewal permit how many types of pistol permits does tennessee issue

handgun permit online services tn gov - Aug 16 2023

web online services be sure the handgun permits tab is selected to get started apply for a handgun permit renew my handgun permit you may renew up to six 6 months prior to your expiration date or no more than eight 8 years past your expiration date

tennessee department of safety and homeland security tn gov - May 13 2023

web tennessee department of safety and homeland security application for concealed handgun carry permit new renewal duplicate name last first middle applicant s driver license any aliases place of birth current physical address city state county zip code mailing address if different from current physical

tfa s analysis of governor bill lee s permitless carry law and - Aug 04 2022

web jun 21 2021 the tennessee firearms association recommends that people get or keep the tennessee enhanced handgun permit rather than relying on the governor s new permitless carry bill that goes into effect on july 1 2021 here are *concealed carry in tennessee giffords handgun permit* - May 01 2022

web jun 26 2023 tennessee generally permit any over 21 to carry a handgun without a permit either openly with concealed

how do i renew my tennessee handgun carry permit - Apr 12 2023

web may 21 2009 the renewal fee for a handgun carry permit is 50 00 upon approval of the renewal application a new permit will be mailed to the handgun carry permit applicant a permit holder can submit a renewal application at any driver service center or renew by mail to receive a renewal application by mail call 615 251 8590

how do i renew my tennessee handgun carry permit firearms - Feb 27 2022

web may 21 2009 how do i renew a handgun carry permit your handgun carry permit will expire four 4 years from the start it is issued renewals can be submitted increase to six 6 months prior to the expiration date

how to apply tennessee state government tn gov - Jul 15 2023

web to apply for a tennessee handgun carry permit renewal online visit online services under the handgun permit tab and fill out the application once the application is completed the renewal fee of 50 00 will be paid on the website

what you need to know about permits in tennessee - Oct 06 2022

web apr 28 2021 prior to the eight year expiration period of a permit a permit holder may apply to the tennessee

department of safety for the renewal of the permit by submitting under oath a renewal application and a 50 renewal fee
how to get a concealed carry permit in tennessee - Jun 02 2022

web the application or apply in person go to a driver services center you may schedule an appointment for your visit by scheduling a driver license appointment you will need the following proof of u s citizenship or permanent residency photo id tn driver license state id card proof of full ssn

172 geometry quizzes questions answers trivia proprofs - Apr 01 2022

web nov 17 2023 are you ready for area of a circle quiz questions and answers use the information given to find the area of the circle use the following formula area radius squared times pi

area and perimeter test area perimeter quiz w answer key - Nov 08 2022

web this 2 page area and perimeter quiz area and perimeter test includes answer key for easy grading this test is two pages and includes 20 questions this test is ready to print and give to you students as a quick and comprehensive way to assess your student s understanding of this important skill measuring area and perimeter

area and perimeter quiz 1 khan academy - Feb 11 2023

web course geometry all content unit 7 quiz 1 quiz 1 area and perimeter math geometry all content learn for free about math art computer programming economics physics chemistry biology medicine finance history and more khan academy is a nonprofit with the mission of providing a free world class education for

area and perimeter geometry all content math khan academy - Sep 18 2023

web test your understanding of area and perimeter with these num s questions start test area and perimeter help us measure the size of 2d shapes we ll start with the area and perimeter of rectangles from there we ll tackle trickier shapes such

chapter 9 practice test perimeter area volume and surface area - Aug 17 2023

web name answer key period date chapter 9 practice test perimeter area volume and surface area for problems 1 4 match each question to its answer 1 what is perimeter a the area of all the surfaces of a 3 d shape 2 what is area b the number of cubes that fit inside a shape 3 what is volume c

basic geometry practice tests varsity tutors - Jun 03 2022

web pick one of our basic geometry practice tests now and begin basic geometry plane geometry 1 hrs 56 mins basic geometry circles basic geometry clock math basic geometry how to find the angle of clock hands 2 mins 54 secs basic geometry how to find the distance between clock hands basic geometry diameter

mathematics geometry practice test answer and alignment - Jan 10 2023

web the following pages include the answer key for all machine scored items followed by the rubrics for the hand scored items the rubrics show sample student responses other valid methods for solving the problem can earn full credit

area of triangles test math tests - Jul 04 2022

web sharpen your geometry skills by taking this area of triangles test this test gives you an opportunity to calculate the correct area of ten triangles for practice and reinforcement of math skills this test is based on the following common core standards ccss math content 6 g 1 find the area of right triangles other triangles special

intro to area and perimeter basic geometry and measurement khan academy - May 14 2023

web level up on all the skills in this unit and collect up to 1800 mastery points start unit test area and perimeter help us measure the size of 2d shapes we ll start with the area and perimeter of rectangles from there we ll tackle trickier shapes such

geometry practice tests google docs - Jun 15 2023

web geometry practice tests the answer keys to most of these geometry tests are at the end of each file link most of these practice tests are multiple choice and your actual tests are mostly free response since these practice tests have come from a test bank most tests have a mistake or two

volume and surface area geometry all content khan academy - Dec 09 2022

web start test volume and surface area help us measure the size of 3d objects we ll start with the volume and surface area of rectangular prisms from there we ll tackle trickier objects such as cones and spheres

geometry mr schumann s website - Jul 16 2023

web term 1 or 3 final exam review packet answer key click here geometry terms 2 and 4 chapter 5 midsegments medians angles bisectors perpendicular bisectors altitudes

basic geometry practice questions with full answer key area - Oct 07 2022

web apr 3 2014 basics geometry practical questions back domestic contact search the site canucks tests border support

geometry worksheets pdf with answer keys mathwarehouse com - Mar 12 2023

web enjoy these free sheets each one has model problems worked out step by step practice problems as well as challenge questions at the sheets end plus each one comes with an answer key circles graphic organizer on all formulas midpoint polygon worksheets interior angles of polygons

free geometry practice test from tests com - Sep 06 2022

web geometry practice test test your skills with this plane geometry practice exam whether you are studying for a school exam or just looking to challenge your geometry skills this test will help you assess your knowledge view answers as you go view 1 question at a time 1 two flat surfaces intersect to form a n a plane

geometry 1st edition solutions and answers quizlet - Apr 13 2023

web now with expert verified solutions from geometry 1st edition you ll learn how to solve your toughest homework problems

our resource for geometry includes answers to chapter exercises as well as detailed information to walk you through the process step by step

area test geometry answers book cyberlab sutd edu sg - May 02 2022

web material in this book includes 135 geometry questions with full solutions 420 additional geometry questions with an answer key a comprehensive review of the most important geometry topics taught in high school the practice tests presented in this book are based upon the most recent state level tests

geometry all content khan academy - Aug 05 2022

web count unit squares to find area area and perimeter area of rectangles area and perimeter perimeter area and perimeter area of parallelograms area and perimeter area of triangles area and perimeter area of shapes on grids area and perimeter area of trapezoids composite figures area and perimeter area and circumference of circles

download free area test geometry answer key - Feb 28 2022

web area test geometry answer key sat math level i test prep review exambusters geometry flash cards workbook 2 of 2 nov 16 2021 sat math level i prep flashcard workbook 2 of 2 geometry 450 questions and answers illustrated essential definitions formulas and concepts with complementary diagrams topics

basic geometry practice questions with full answer key area - Oct 19 2023

web apr 3 2014 finding the area or perimeter of different shapes e g triangles rectangles circles problems using the pythagorean theorem calculate properties of geometric shapes such as angles right angles or parallel sides calculating volume or surface area of complex shapes for example spheres cylinders or cones