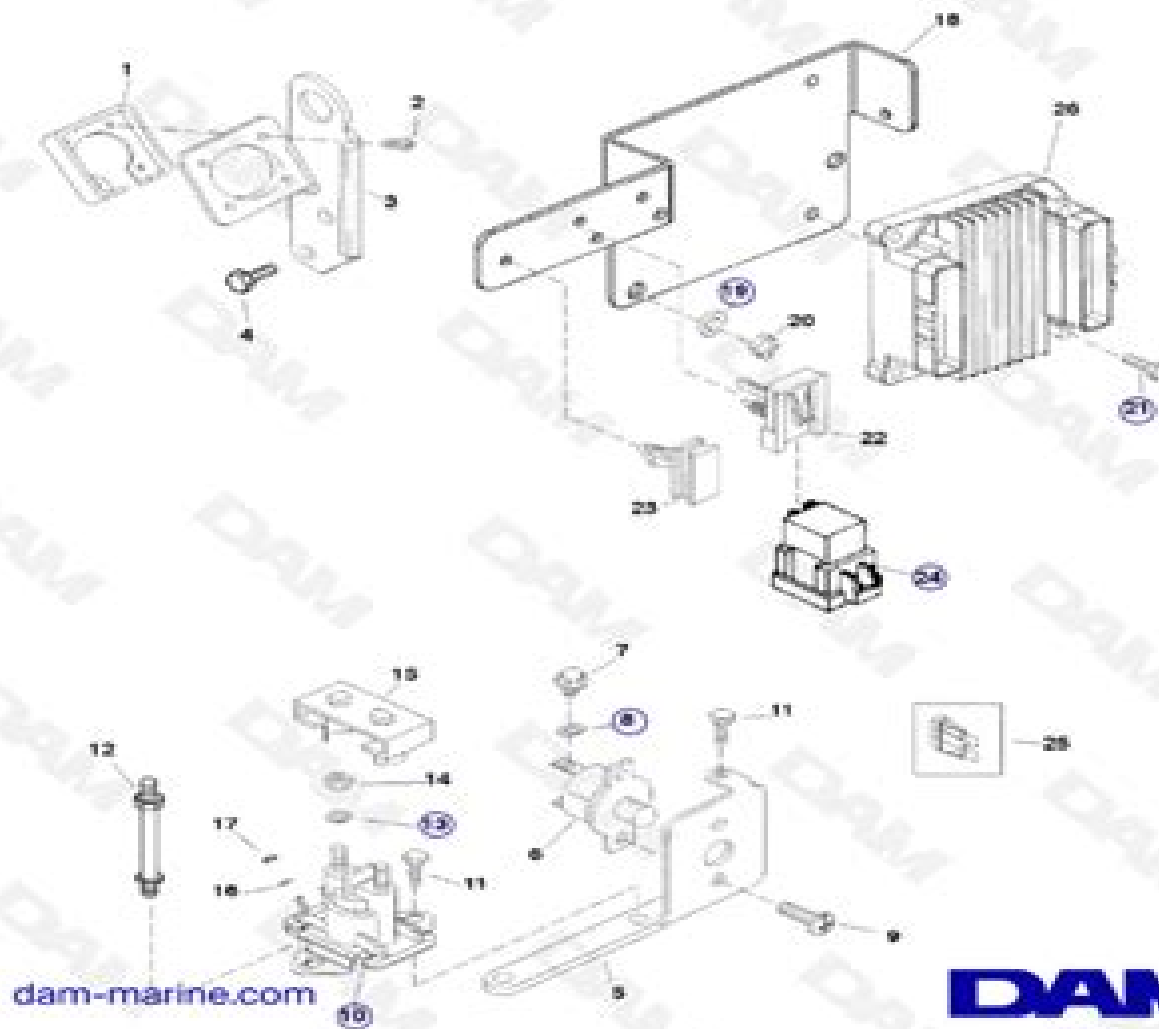


MERCURUISER (5.0L EFI GM 305 V-8 1999-2001)Serial Nbr Range: 0L301631 THRU 0M299999 ()



DAM
MARINE

Mcm 5 0l Efi Belt Diagram

S Marginson



Mcm 5 0l Efi Belt Diagram:

Immerse yourself in the artistry of words with Experience Art with its expressive creation, Discover the Artistry of **Mcm 5 0l Efi Belt Diagram** . This ebook, presented in a PDF format (*), is a masterpiece that goes beyond conventional storytelling. Indulge your senses in prose, poetry, and knowledge. Download now to let the beauty of literature and artistry envelop your mind in a unique and expressive way.

<https://staging.conocer.cide.edu/book/detail/index.jsp/Manual%20Del%20Tomtom%20Xl.pdf>

Table of Contents Mcm 5 0l Efi Belt Diagram

1. Understanding the eBook Mcm 5 0l Efi Belt Diagram
 - The Rise of Digital Reading Mcm 5 0l Efi Belt Diagram
 - Advantages of eBooks Over Traditional Books
2. Identifying Mcm 5 0l Efi Belt Diagram
 - Exploring Different Genres
 - Considering Fiction vs. Non-Fiction
 - Determining Your Reading Goals
3. Choosing the Right eBook Platform
 - Popular eBook Platforms
 - Features to Look for in an Mcm 5 0l Efi Belt Diagram
 - User-Friendly Interface
4. Exploring eBook Recommendations from Mcm 5 0l Efi Belt Diagram
 - Personalized Recommendations
 - Mcm 5 0l Efi Belt Diagram User Reviews and Ratings
 - Mcm 5 0l Efi Belt Diagram and Bestseller Lists
5. Accessing Mcm 5 0l Efi Belt Diagram Free and Paid eBooks
 - Mcm 5 0l Efi Belt Diagram Public Domain eBooks
 - Mcm 5 0l Efi Belt Diagram eBook Subscription Services
 - Mcm 5 0l Efi Belt Diagram Budget-Friendly Options

6. Navigating Mcm 5 0l Efi Belt Diagram eBook Formats
 - ePub, PDF, MOBI, and More
 - Mcm 5 0l Efi Belt Diagram Compatibility with Devices
 - Mcm 5 0l Efi Belt Diagram Enhanced eBook Features
7. Enhancing Your Reading Experience
 - Adjustable Fonts and Text Sizes of Mcm 5 0l Efi Belt Diagram
 - Highlighting and Note-Taking Mcm 5 0l Efi Belt Diagram
 - Interactive Elements Mcm 5 0l Efi Belt Diagram
8. Staying Engaged with Mcm 5 0l Efi Belt Diagram
 - Joining Online Reading Communities
 - Participating in Virtual Book Clubs
 - Following Authors and Publishers Mcm 5 0l Efi Belt Diagram
9. Balancing eBooks and Physical Books Mcm 5 0l Efi Belt Diagram
 - Benefits of a Digital Library
 - Creating a Diverse Reading Collection Mcm 5 0l Efi Belt Diagram
10. Overcoming Reading Challenges
 - Dealing with Digital Eye Strain
 - Minimizing Distractions
 - Managing Screen Time
11. Cultivating a Reading Routine Mcm 5 0l Efi Belt Diagram
 - Setting Reading Goals Mcm 5 0l Efi Belt Diagram
 - Carving Out Dedicated Reading Time
12. Sourcing Reliable Information of Mcm 5 0l Efi Belt Diagram
 - Fact-Checking eBook Content of Mcm 5 0l Efi Belt Diagram
 - Distinguishing Credible Sources
13. Promoting Lifelong Learning
 - Utilizing eBooks for Skill Development
 - Exploring Educational eBooks
14. Embracing eBook Trends
 - Integration of Multimedia Elements

- Interactive and Gamified eBooks

Mcm 5 0l Efi Belt Diagram Introduction

In today's digital age, the availability of Mcm 5 0l Efi Belt Diagram books and manuals for download has revolutionized the way we access information. Gone are the days of physically flipping through pages and carrying heavy textbooks or manuals. With just a few clicks, we can now access a wealth of knowledge from the comfort of our own homes or on the go. This article will explore the advantages of Mcm 5 0l Efi Belt Diagram books and manuals for download, along with some popular platforms that offer these resources. One of the significant advantages of Mcm 5 0l Efi Belt Diagram books and manuals for download is the cost-saving aspect. Traditional books and manuals can be costly, especially if you need to purchase several of them for educational or professional purposes. By accessing Mcm 5 0l Efi Belt Diagram versions, you eliminate the need to spend money on physical copies. This not only saves you money but also reduces the environmental impact associated with book production and transportation. Furthermore, Mcm 5 0l Efi Belt Diagram books and manuals for download are incredibly convenient. With just a computer or smartphone and an internet connection, you can access a vast library of resources on any subject imaginable. Whether you're a student looking for textbooks, a professional seeking industry-specific manuals, or someone interested in self-improvement, these digital resources provide an efficient and accessible means of acquiring knowledge. Moreover, PDF books and manuals offer a range of benefits compared to other digital formats. PDF files are designed to retain their formatting regardless of the device used to open them. This ensures that the content appears exactly as intended by the author, with no loss of formatting or missing graphics. Additionally, PDF files can be easily annotated, bookmarked, and searched for specific terms, making them highly practical for studying or referencing. When it comes to accessing Mcm 5 0l Efi Belt Diagram books and manuals, several platforms offer an extensive collection of resources. One such platform is Project Gutenberg, a nonprofit organization that provides over 60,000 free eBooks. These books are primarily in the public domain, meaning they can be freely distributed and downloaded. Project Gutenberg offers a wide range of classic literature, making it an excellent resource for literature enthusiasts. Another popular platform for Mcm 5 0l Efi Belt Diagram books and manuals is Open Library. Open Library is an initiative of the Internet Archive, a non-profit organization dedicated to digitizing cultural artifacts and making them accessible to the public. Open Library hosts millions of books, including both public domain works and contemporary titles. It also allows users to borrow digital copies of certain books for a limited period, similar to a library lending system. Additionally, many universities and educational institutions have their own digital libraries that provide free access to PDF books and manuals. These libraries often offer academic texts, research papers, and technical manuals, making them invaluable resources for students and researchers. Some notable examples include MIT OpenCourseWare, which offers free access to course materials from the Massachusetts Institute of

Technology, and the Digital Public Library of America, which provides a vast collection of digitized books and historical documents. In conclusion, Mcm 5 0l Efi Belt Diagram books and manuals for download have transformed the way we access information. They provide a cost-effective and convenient means of acquiring knowledge, offering the ability to access a vast library of resources at our fingertips. With platforms like Project Gutenberg, Open Library, and various digital libraries offered by educational institutions, we have access to an ever-expanding collection of books and manuals. Whether for educational, professional, or personal purposes, these digital resources serve as valuable tools for continuous learning and self-improvement. So why not take advantage of the vast world of Mcm 5 0l Efi Belt Diagram books and manuals for download and embark on your journey of knowledge?

FAQs About Mcm 5 0l Efi Belt Diagram Books

1. Where can I buy Mcm 5 0l Efi Belt Diagram books? Bookstores: Physical bookstores like Barnes & Noble, Waterstones, and independent local stores. Online Retailers: Amazon, Book Depository, and various online bookstores offer a wide range of books in physical and digital formats.
2. What are the different book formats available? Hardcover: Sturdy and durable, usually more expensive. Paperback: Cheaper, lighter, and more portable than hardcovers. E-books: Digital books available for e-readers like Kindle or software like Apple Books, Kindle, and Google Play Books.
3. How do I choose a Mcm 5 0l Efi Belt Diagram book to read? Genres: Consider the genre you enjoy (fiction, non-fiction, mystery, sci-fi, etc.). Recommendations: Ask friends, join book clubs, or explore online reviews and recommendations. Author: If you like a particular author, you might enjoy more of their work.
4. How do I take care of Mcm 5 0l Efi Belt Diagram books? Storage: Keep them away from direct sunlight and in a dry environment. Handling: Avoid folding pages, use bookmarks, and handle them with clean hands. Cleaning: Gently dust the covers and pages occasionally.
5. Can I borrow books without buying them? Public Libraries: Local libraries offer a wide range of books for borrowing. Book Swaps: Community book exchanges or online platforms where people exchange books.
6. How can I track my reading progress or manage my book collection? Book Tracking Apps: Goodreads, LibraryThing, and Book Catalogue are popular apps for tracking your reading progress and managing book collections. Spreadsheets: You can create your own spreadsheet to track books read, ratings, and other details.
7. What are Mcm 5 0l Efi Belt Diagram audiobooks, and where can I find them? Audiobooks: Audio recordings of books,

perfect for listening while commuting or multitasking. Platforms: Audible, LibriVox, and Google Play Books offer a wide selection of audiobooks.

8. How do I support authors or the book industry? Buy Books: Purchase books from authors or independent bookstores. Reviews: Leave reviews on platforms like Goodreads or Amazon. Promotion: Share your favorite books on social media or recommend them to friends.
9. Are there book clubs or reading communities I can join? Local Clubs: Check for local book clubs in libraries or community centers. Online Communities: Platforms like Goodreads have virtual book clubs and discussion groups.
10. Can I read Mcm 5 0l Efi Belt Diagram books for free? Public Domain Books: Many classic books are available for free as they're in the public domain. Free E-books: Some websites offer free e-books legally, like Project Gutenberg or Open Library.

Find Mcm 5 0l Efi Belt Diagram :

[manual del tomtom xl](#)

manual da tv semp toshiba 40

[manual de desmontaje impresora canon mp250](#)

~~manual de ford explorer 96~~

manual de benelli

manual del celular sony ericsson xperia play

[manual del mack vision](#)

manual de smart tv lg

~~manual del usuario samsung galaxy pro~~

[manual derbi variant start 3](#)

manual de blackberry 9800 en espanol

manual de same explorer 90

manual de atlantic 1983

manual daihatsu charade

manual de procedimientos

Mcm 5 0l Efi Belt Diagram :

Music in Theory and Practice - 8th Edition - Solutions and ... Our resource for Music in Theory and Practice includes answers to chapter exercises, as well as detailed information to walk you through the process step by ... Workbook solutions manual to accompany Music in theory ... Jul 19, 2022 — Workbook solutions manual to accompany Music in theory and practice, eighth edition, volume 1. by: Saker, Marilyn Nadine. Publication date: 2009. Music in Theory and Practice Volume 1 8th Edition Music In Theory And Practice Volume 1 8th Edition Textbook Solutions | Chegg.com. We have 0 solutions for your book! Workbook Solutions Manual T/a Music Theory And Practice ... Access Workbook Solutions Manual t/a Music Theory and Practice, Volume II 8th Edition solutions now. Our solutions are written by Chegg experts so you can ... Music in Theory and Practice Answer Key First two eighth notes should be beamed rather than flagged. For 3/4 meter, this should contain two eighth notes and one half note. To show divisions of measure ... Music in Theory and Practice Volume 1 ... 8th ed. p. cm. ISBN-13: 978-0-07-310187-3. ISBN-10: 0-07-310187-7. 1. Music theory. I ... edition. I am ever indebted to Nancy Redfern of Northern Michi- gan ... Workbook solutions manual to accompany Music in theory ... Workbook solutions manual to accompany Music in theory and practice, eighth edition, volume 1 | WorldCat.org. Music in Theory and Practice Volume 1 (8th Edition) The... MUSIC 110. Answer & Explanation. Unlock full access to Course Hero. Explore over 16 million step-by-step answers from our library. Get answer. Related Answered ... SOLUTION: Music in theory and practice 8th edition Stuck on a homework question? Our verified tutors can answer all questions, from basic math to advanced rocket science! Post question. Most Popular Study ... Music in Theory and Practice, Volume 1 with Audio CD 8th ... Music in Theory and Practice, Volume 1 with Audio CD 8th (eighth) Edition by Benward, Bruce, Saker, Marilyn published by McGraw-Hill Higher Education (2008). Teaching Physical Education for Learning 7th ... Focusing on physical education for kindergarten through grade 12, this user-friendly text emphasizes teaching strategies and theories to give you, the future ... Teaching Physical Education for Learning 7th Edition Teaching Physical Education for Learning 7th Edition by Judith E. Rink - ISBN 10: 1259448568 - ISBN 13: 9781259448560 - McGraw-Hill - 2012 - Softcover. Teaching Physical Education for Learning 7th ... Teaching Physical Education for Learning 7th Edition is written by Rink, Judith and published by McGraw-Hill Higher Education. The Digital and eTextbook ... Loose Leaf Teaching Physical Education for Learning Loose Leaf Teaching Physical Education for Learning by Rink, Judith - ISBN ... 9781259448560: Teaching Physical Education for Learning 7th Edition. Featured ... Teaching Physical Education for Learning This latest edition provides a foundation for physical education programs that prepare students for a lifetime of physical activity. Judith E Rink: Books Schoolwide Physical Activity: A Comprehensive Guide to Designing and Conducting Programs. by Judith E. Rink · 4.24.2 out of 5 stars (32). TEACHING PHYSICAL EDUCATION FOR LEARNING 7TH ... TEACHING PHYSICAL EDUCATION FOR LEARNING 7TH EDITION By Judith E. Rink ; Item Number. 186093196924 ; ISBN-10. 1259448568 ; Book Title. Teaching Physical Education ... Connect Online Access for Teaching

Physical Education ... Authors: Rink, Judith Rink ; Full Title: Connect Online Access for Teaching Physical Education for Learning ; Edition: 7th edition ; ISBN-13: 978-0078022692. Teaching Physical Education for Learning (Looseleaf) - 7th ... Buy Teaching Physical Education for Learning (Looseleaf) 7th edition (9780078022692) by Judith E. Rink for up to 90% off at Textbooks.com. Rink, J. (2014). Teaching Physical Education for Learning ... May 29, 2018 — Rink, J. (2014). Teaching Physical Education for Learning (7th ed.). New York, NY McGraw-Hill. penny ante equilibrium lab.pdf - Chemistry Name Date Part A - What are the properties of a system at equilibrium? 1.Place 42 pennies in containerR, none in containerP. 2.In each transfer round, reactant will move ... CHM171 - Penny Equilibrium Activity.docx Part A—What are the properties of a system at equilibrium? 1.Place 42 pennies in container R, none in container P. ... 2.In each transfer round, reactants will ... Answers - Penny Lab - YouTube Penny-Ante Equilibrium: A Classroom Activity—ChemTopic ... In the Penny-Ante Equilibrium: A Classroom Activity—ChemTopic™ Lab Activity, pennies are used as reactants and products in a reversible reaction to answer ... Period ____ Penny-Ante Equilibrium Activity Introduction ... pennies will be used as reactants and products in a reversible reaction to answer these questions and learn more about the fundamental nature of equilibrium. Get Penny Ante Equilibrium Lab Answers What kind of changes did you cause by heating the silver coin? When the silver-colored penny is heated, the outside zinc atoms and inside copper atoms move ... Penny Ante Equilibrium Activity Answers Form Penny Ante Equilibrium Lab Answers. Check out how easy it is to complete and eSign documents online using fillable templates and a powerful editor. Penny Ante Equilibrium Activity Answers Editing penny ante equilibrium activity answers online · 1. Set up an account. If you are a new user, click Start Free Trial and establish a profile. · 2. Prepare ... Free Essay: Lab Penny Ante 2 - 1080 Words Lab Penny Ante 2 · 1. Place 42 pennies in container R, none in container P. · 2. In each transfer round, reactant will move one-third of the pennies from ...