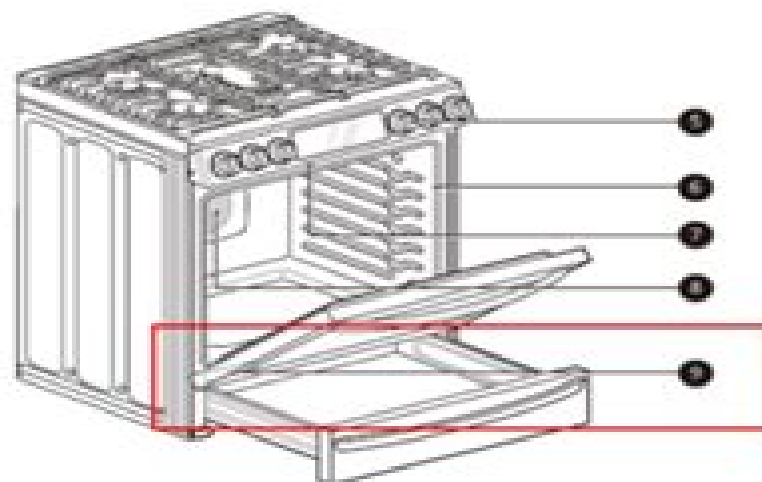
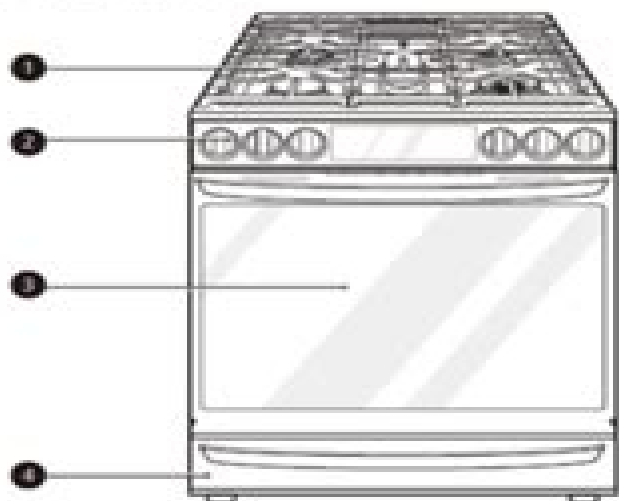


# PRODUCT OVERVIEW

## Product Features

### Exterior & Interior



- ❶ Cooktop
- ❷ Cooktop controller
- ❸ Oven door
- ❹ Storage drawer (LSGL6337\* : handle , LSGL6335\* : no handle)
- ❺ Oven mode knob
- ❻ Gasket
- ❼ Broil burner
- ❽ Convection burner
- ❾ Model & serial number plate

# Lg Electric Range Owner Manual

**A Gutmann**



**Lg Electric Range Owner Manual:**

## The Enigmatic Realm of **Lg Electric Range Owner Manual**: Unleashing the Language is Inner Magic

In a fast-paced digital era where connections and knowledge intertwine, the enigmatic realm of language reveals its inherent magic. Its capacity to stir emotions, ignite contemplation, and catalyze profound transformations is nothing lacking extraordinary. Within the captivating pages of **Lg Electric Range Owner Manual** a literary masterpiece penned with a renowned author, readers attempt a transformative journey, unlocking the secrets and untapped potential embedded within each word. In this evaluation, we shall explore the book's core themes, assess its distinct writing style, and delve into its lasting affect the hearts and minds of people who partake in its reading experience.

<https://staging.conocer.cide.edu/public/scholarship/Documents/kubota%20kh51%20kh61%20kh%2051%20kh%2061%20workshop%20service%20repair%20manual.pdf>

### **Table of Contents Lg Electric Range Owner Manual**

1. Understanding the eBook Lg Electric Range Owner Manual
  - The Rise of Digital Reading Lg Electric Range Owner Manual
  - Advantages of eBooks Over Traditional Books
2. Identifying Lg Electric Range Owner Manual
  - Exploring Different Genres
  - Considering Fiction vs. Non-Fiction
  - Determining Your Reading Goals
3. Choosing the Right eBook Platform
  - Popular eBook Platforms
  - Features to Look for in an Lg Electric Range Owner Manual
  - User-Friendly Interface
4. Exploring eBook Recommendations from Lg Electric Range Owner Manual
  - Personalized Recommendations
  - Lg Electric Range Owner Manual User Reviews and Ratings

- Lg Electric Range Owner Manual and Bestseller Lists
- 5. Accessing Lg Electric Range Owner Manual Free and Paid eBooks
  - Lg Electric Range Owner Manual Public Domain eBooks
  - Lg Electric Range Owner Manual eBook Subscription Services
  - Lg Electric Range Owner Manual Budget-Friendly Options
- 6. Navigating Lg Electric Range Owner Manual eBook Formats
  - ePub, PDF, MOBI, and More
  - Lg Electric Range Owner Manual Compatibility with Devices
  - Lg Electric Range Owner Manual Enhanced eBook Features
- 7. Enhancing Your Reading Experience
  - Adjustable Fonts and Text Sizes of Lg Electric Range Owner Manual
  - Highlighting and Note-Taking Lg Electric Range Owner Manual
  - Interactive Elements Lg Electric Range Owner Manual
- 8. Staying Engaged with Lg Electric Range Owner Manual
  - Joining Online Reading Communities
  - Participating in Virtual Book Clubs
  - Following Authors and Publishers Lg Electric Range Owner Manual
- 9. Balancing eBooks and Physical Books Lg Electric Range Owner Manual
  - Benefits of a Digital Library
  - Creating a Diverse Reading Collection Lg Electric Range Owner Manual
- 10. Overcoming Reading Challenges
  - Dealing with Digital Eye Strain
  - Minimizing Distractions
  - Managing Screen Time
- 11. Cultivating a Reading Routine Lg Electric Range Owner Manual
  - Setting Reading Goals Lg Electric Range Owner Manual
  - Carving Out Dedicated Reading Time
- 12. Sourcing Reliable Information of Lg Electric Range Owner Manual
  - Fact-Checking eBook Content of Lg Electric Range Owner Manual
  - Distinguishing Credible Sources

13. Promoting Lifelong Learning
  - Utilizing eBooks for Skill Development
  - Exploring Educational eBooks
14. Embracing eBook Trends
  - Integration of Multimedia Elements
  - Interactive and Gamified eBooks

### **Lg Electric Range Owner Manual Introduction**

In this digital age, the convenience of accessing information at our fingertips has become a necessity. Whether its research papers, eBooks, or user manuals, PDF files have become the preferred format for sharing and reading documents. However, the cost associated with purchasing PDF files can sometimes be a barrier for many individuals and organizations. Thankfully, there are numerous websites and platforms that allow users to download free PDF files legally. In this article, we will explore some of the best platforms to download free PDFs. One of the most popular platforms to download free PDF files is Project Gutenberg. This online library offers over 60,000 free eBooks that are in the public domain. From classic literature to historical documents, Project Gutenberg provides a wide range of PDF files that can be downloaded and enjoyed on various devices. The website is user-friendly and allows users to search for specific titles or browse through different categories. Another reliable platform for downloading Lg Electric Range Owner Manual free PDF files is Open Library. With its vast collection of over 1 million eBooks, Open Library has something for every reader. The website offers a seamless experience by providing options to borrow or download PDF files. Users simply need to create a free account to access this treasure trove of knowledge. Open Library also allows users to contribute by uploading and sharing their own PDF files, making it a collaborative platform for book enthusiasts. For those interested in academic resources, there are websites dedicated to providing free PDFs of research papers and scientific articles. One such website is Academia.edu, which allows researchers and scholars to share their work with a global audience. Users can download PDF files of research papers, theses, and dissertations covering a wide range of subjects. Academia.edu also provides a platform for discussions and networking within the academic community. When it comes to downloading Lg Electric Range Owner Manual free PDF files of magazines, brochures, and catalogs, Issuu is a popular choice. This digital publishing platform hosts a vast collection of publications from around the world. Users can search for specific titles or explore various categories and genres. Issuu offers a seamless reading experience with its user-friendly interface and allows users to download PDF files for offline reading. Apart from dedicated platforms, search engines also play a crucial role in finding free PDF files. Google, for instance, has an advanced search feature that allows users to filter results by file type. By specifying the file type as "PDF," users can find websites that

offer free PDF downloads on a specific topic. While downloading Lg Electric Range Owner Manual free PDF files is convenient, its important to note that copyright laws must be respected. Always ensure that the PDF files you download are legally available for free. Many authors and publishers voluntarily provide free PDF versions of their work, but its essential to be cautious and verify the authenticity of the source before downloading Lg Electric Range Owner Manual. In conclusion, the internet offers numerous platforms and websites that allow users to download free PDF files legally. Whether its classic literature, research papers, or magazines, there is something for everyone. The platforms mentioned in this article, such as Project Gutenberg, Open Library, Academia.edu, and Issuu, provide access to a vast collection of PDF files. However, users should always be cautious and verify the legality of the source before downloading Lg Electric Range Owner Manual any PDF files. With these platforms, the world of PDF downloads is just a click away.

### **FAQs About Lg Electric Range Owner Manual Books**

How do I know which eBook platform is the best for me? Finding the best eBook platform depends on your reading preferences and device compatibility. Research different platforms, read user reviews, and explore their features before making a choice. Are free eBooks of good quality? Yes, many reputable platforms offer high-quality free eBooks, including classics and public domain works. However, make sure to verify the source to ensure the eBook credibility. Can I read eBooks without an eReader? Absolutely! Most eBook platforms offer webbased readers or mobile apps that allow you to read eBooks on your computer, tablet, or smartphone. How do I avoid digital eye strain while reading eBooks? To prevent digital eye strain, take regular breaks, adjust the font size and background color, and ensure proper lighting while reading eBooks. What the advantage of interactive eBooks? Interactive eBooks incorporate multimedia elements, quizzes, and activities, enhancing the reader engagement and providing a more immersive learning experience. Lg Electric Range Owner Manual is one of the best book in our library for free trial. We provide copy of Lg Electric Range Owner Manual in digital format, so the resources that you find are reliable. There are also many Ebooks of related with Lg Electric Range Owner Manual. Where to download Lg Electric Range Owner Manual online for free? Are you looking for Lg Electric Range Owner Manual PDF? This is definitely going to save you time and cash in something you should think about. If you trying to find then search around for online. Without a doubt there are numerous these available and many of them have the freedom. However without doubt you receive whatever you purchase. An alternate way to get ideas is always to check another Lg Electric Range Owner Manual. This method for see exactly what may be included and adopt these ideas to your book. This site will almost certainly help you save time and effort, money and stress. If you are looking for free books then you really should consider finding to assist you try this. Several of Lg Electric Range Owner Manual are for sale to free while some are payable. If you arent sure if the books

you would like to download works with for usage along with your computer, it is possible to download free trials. The free guides make it easy for someone to free access online library for download books to your device. You can get free download on free trial for lots of books categories. Our library is the biggest of these that have literally hundreds of thousands of different products categories represented. You will also see that there are specific sites catered to different product types or categories, brands or niches related with Lg Electric Range Owner Manual. So depending on what exactly you are searching, you will be able to choose e books to suit your own need. Need to access completely for Campbell Biology Seventh Edition book? Access Ebook without any digging. And by having access to our ebook online or by storing it on your computer, you have convenient answers with Lg Electric Range Owner Manual To get started finding Lg Electric Range Owner Manual, you are right to find our website which has a comprehensive collection of books online. Our library is the biggest of these that have literally hundreds of thousands of different products represented. You will also see that there are specific sites catered to different categories or niches related with Lg Electric Range Owner Manual So depending on what exactly you are searching, you will be able to choose ebook to suit your own need. Thank you for reading Lg Electric Range Owner Manual. Maybe you have knowledge that, people have search numerous times for their favorite readings like this Lg Electric Range Owner Manual, but end up in harmful downloads. Rather than reading a good book with a cup of coffee in the afternoon, instead they juggled with some harmful bugs inside their laptop. Lg Electric Range Owner Manual is available in our book collection an online access to it is set as public so you can download it instantly. Our digital library spans in multiple locations, allowing you to get the most less latency time to download any of our books like this one. Merely said, Lg Electric Range Owner Manual is universally compatible with any devices to read.

### **Find Lg Electric Range Owner Manual :**

**kubota kh51 kh61 kh 51 kh 61 workshop service repair manual**

**kubota workshop manual 05 series diesel engine**

**kubota rtv 900 with snow plow manual**

kubota g6200 parts manual

kubota f2400 repair manual

**kubota l4330 parts manual**

**kubota b20 service manual**

**kubota rtv 900 steel cab parts manual**

kubota k008 operators manual

kubota d905 service manual



~~kubota bh76 service manual~~

~~kubota diesel engine parts manual d905~~

~~kubota v1505t parts manual~~

~~kubota workshop service manual~~

**kubota bx20owners manual**

### **Lg Electric Range Owner Manual :**

The NRCA Roofing Manual The NRCA Roofing Manual: Architectural Metal Flashing and Condensation and Air Leakage Control—2022. Member Price: \$195.00. Nonmember Price: \$395.00. The NRCA ... The NRCA Roofing Manual—2022 Set It contains the following four volumes: The NRCA Roofing Manual: Architectural Metal Flashing and Condensation and Air Leakage Control—2022 · The NRCA Roofing ... The NRCA Roofing Manual: Architectural Metal Flashing ... The latest volume of the NRCA Roofing Manual provides you with valuable information about the design, materials and installation techniques applicable to. The NRCA Roofing Manual: Metal Panel and SPF ... This roofing manual provides you with comprehensive information about the design, materials and installation techniques applicable to metal panel and spray ... The NRCA Roofing Manual/Architectural Metal Flashing ... The 2022 manual contains information about the design, materials and installation techniques applicable to architectural sheet-metal components and includes 60 ... NRCA Roofing Manual: Architectural Metal Flashing, ... NRCA Roofing Manual: Architectural Metal Flashing Condensation and Air Leakage Control, 2022 The 2022 manual contains information about the design, ... NRCA: Books The NRCA Roofing Manual: Architectural Metal Flashing and Condensation and Air Leakage Control - 2018. by NRCA · 4.64.6 out of 5 stars (3). NRCA Roofing Manual: Architectural Metal Flashing ... NRCA Roofing Manual provides background information regarding moisture and air leakage issues in buildings such as ventilation for steep-slope roof ... NRCA Roofing Manual: Architectural Metal Flashing, ... NRCA Roofing Manual: Architectural Metal Flashing, Condensation Control and Reroofing. 1-2 Weeks. Out of Stock. \$224.25. Add to Cart. Publisher, NRCA. Shipping ... The NRCA Roofing Manual: Architectural Metal Flashing ... The N.R.C.A Roofing Manual: Architectural Metal Flashing, and Condensation Control, 2022 ... Shipping calculated at checkout. Style: Plain. 29 Preschool Gymnastics Lesson Plans ideas Oct 25, 2022 - Preschool gymnastics lesson plans with funky, fresh ideas. See more ideas about preschool gymnastics lesson plans, preschool gymnastics, ... Preschool Gymnastics Lesson Plans Done-for-you preschool skill sheets designed to show your gymnasts' growth and guide your lesson planning around the question “what comes next?”. Themes & Creative Lesson Plan Ideas Winter Theme Ideas for Preschool Gymnastics Classes. Get inspired for your winter themed preschool gymnastics lesson plans! Games / Programming / Themes ... 100 Pre-School Gymnastics Ideas! Pre-School Gymnastics Ideas! Gymnastics progressions, games, activities and other fun ideas that would be a good fit for 3-5

year olds! ... 100 Themes for ... Safari Week: Preschool Gymnastics Lesson Plans Nov 5, 2022 — It's a Jungle in Here!!! If you are looking for a roaring fun time with your little monkeys, this is the lesson plan for you! Happy Gymnastics Preschool gymnastics coach training, owner and director training, and lesson plans to turn your program into the gym's best revenue driver. PRESCHOOL GYMNASTICS LESSON PLANS/STATION ... PRESCHOOL GYMNASTICS LESSON PLANS/STATION IDEAS. Mr. Sporty. 13 videos Last updated on Nov 16, 2023. Play all · Shuffle. All. Videos. Shorts. Handouts and Samples - Tumblebear Connection Year-Long Tumblebear Gym Lesson Plan Package · SAMPLE-#202 Year-Long School ... Kids · ARTICLE - Creative Preschool Bar Skills and Variations · Handout - Power ... Gymnastics For Children Lesson A set of 19 easy to follow preschool gymnastics lesson plans with glossary and music recommendations. Written by Dawn Drum, an author who has spent a ... Physiology and Medicine of Hyperbaric Oxygen Therapy Written by internationally recognized leaders in hyperbaric oxygen therapy (HBOT) research and practice, this exciting new book provides evidence-based, ... Physiology and Medicine of HBOT Physiology and Medicine of HBOT. \$ 229.00. Written by internationally recognized leaders in hyperbaric oxygen therapy (HBOT) this book provides evidence-based ... Physiology and Medicine of Hyperbaric Oxygen The Written by internationally recognized leaders in hyperbaric oxygen therapy (HBOT) research and practice, this exciting new book provides evidence-based, ... Hyperbaric Physiological And Pharmacological Effects ... by AC Kahle · 2022 · Cited by 20 — For a long time, hyperbaric oxygen therapy (HBOT) has been used in clinical practice to treat decompression sickness, carbon monoxide ... Physiology and Medicine of Hyperbaric Oxygen The: 1st edition May 6, 2008 — Written by internationally recognized leaders in hyperbaric oxygen therapy (HBOT) research and practice, this exciting new book provides ... Physiology and Medicine of Hyperbaric Oxygen Therapy ... Written by internationally recognized leaders in hyperbaric oxygen therapy (HBOT) research and practice, this exciting new book provides evidence-based, ... Hyperbaric oxygen - its mechanisms and efficacy - PMC by SR Thom · 2011 · Cited by 712 — This paper outlines therapeutic mechanisms of hyperbaric oxygen therapy (HBO2) and reviews data on its efficacy for clinical problems seen by plastic and ... Physiology and Medicine of Hyperbaric Oxygen Therapy Physiology and Medicine of Hyperbaric Oxygen Therapy. Our Price: \$186.00. Physiology and Medicine of Hyperbaric Oxygen Therapy (SKU 9781416034063) enlarge image ... Hyperbaric Oxygen Therapy HBOT helps wound healing by bringing oxygen-rich plasma to tissue starved for oxygen. Wound injuries damage the body's blood vessels, which release fluid that ... Physiological and Pharmacological Basis of Hyperbaric ... This document describes the physiological effects of hyperbaric oxygen therapy and the pharmacological effects of oxygen in wound healing.