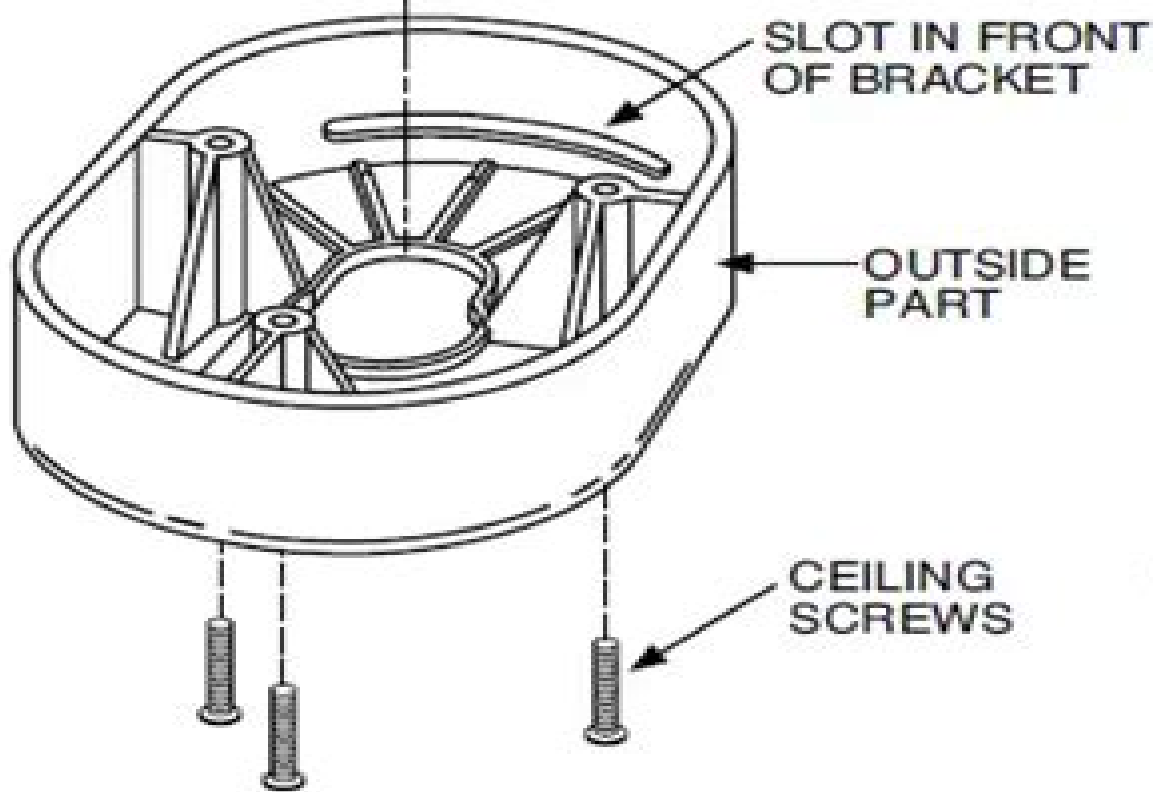


CEILING



C0315-00

# Guide For Beam Smoke Detector Use

**Editors of Cool Springs Press**



## **Guide For Beam Smoke Detector Use:**

Comprehensive Guide to Fire Detection Systems Charles Nehme, Welcome to the Comprehensive Guide to Fire Detection Systems In an ever evolving world where safety and technology intersect understanding the complexities of fire detection systems is crucial for both professionals and individuals concerned about fire safety This guide serves as a complete resource for navigating the diverse landscape of fire detection technologies offering insights into the various systems their components and their applications Why This Guide Fire safety is a fundamental aspect of building and personal security From homes to high rise buildings and from industrial facilities to commercial spaces effective fire detection and management systems are essential for safeguarding lives and property However the array of technologies available can be overwhelming This guide is designed to demystify these systems providing you with clear accessible information to help you make informed decisions about fire detection solutions What You Will Find in This Guide This guide is structured to cover the full spectrum of fire detection technologies and related systems categorized for ease of understanding Here s what you will discover Overview of Fire Detection Systems Learn about the fundamental concepts and importance of fire detection systems and explore the core technologies used in detecting fire smoke and heat Detailed Descriptions of Smoke Detection Systems Understand the various types of smoke detectors including ionization photoelectric and dual sensor detectors Discover advanced smoke detection methods like aspirating smoke detectors and beam smoke detectors In Depth Look at Heat Detection Systems Explore different heat detection technologies including fixed temperature heat detectors rate of rise heat detectors and line type heat detectors Gas Detection Technologies Gain knowledge about carbon monoxide natural gas and propane detectors which are crucial for detecting specific types of hazards in various environments Advanced Flame Detection Systems Delve into the technologies used for detecting flames such as infrared ultraviolet and combination UV IR flame detectors Integration of Detection Systems Learn about integrated solutions like heat and smoke detectors and discover how these systems can work together for comprehensive fire safety Smart and Networked Solutions Explore modern advancements in fire detection technology including smart smoke detectors wireless systems and networked fire detection systems for centralized management Specialized Detection Technologies Understand the roles of video smoke detection systems and air sampling smoke detectors in complex environments Maintenance Regulations and Best Practices Find guidance on maintaining fire detection systems understanding regulations and ensuring compliance with industry standards Glossary of Terms A detailed glossary clarifies technical terms and concepts used throughout the guide helping you build a solid foundation in fire safety terminology Who Should Use This Guide This guide is intended for a broad audience including Homeowners looking to enhance their home fire safety measures Facility Managers responsible for maintaining and managing fire detection systems in commercial or industrial properties Fire Safety Professionals seeking up to date information on the latest technologies and best practices Safety Inspectors and Regulatory Authorities who need to stay

informed about fire safety standards and compliance Students and Educators in the fields of fire safety and emergency management How to Use This Guide You can use this guide as a reference tool or a starting point for deeper exploration into specific topics For Product Research Look up specific fire detection technologies and products to find the best solutions for your needs For Learning Read through the detailed sections to build or expand your knowledge of fire detection systems For Professional Development Use the glossary and advanced topics to stay current with industry standards and practices Acknowledgments We acknowledge the contributions of fire safety experts manufacturers and researchers whose work has made this guide possible Special thanks to the organizations and institutions that provide standards codes and resources essential for fire safety Getting Started We encourage you to explore the various sections of this guide to find the information most relevant to your needs Whether you are a homeowner seeking peace of mind or a professional striving to meet regulatory standards this guide is designed to be a valuable resource on your fire safety journey Welcome to the path of enhanced fire safety and knowledge Let s begin exploring the world of fire detection systems Ionization smoke detectors are a type of smoke detector that use ionization technology to detect the presence of smoke in the air Here s a detailed overview How Ionization Smoke Detectors Work Radioactive Material Ionization smoke detectors contain a small amount of radioactive material typically americium 241 This radioactive material ionizes the air in a small chamber within the detector Ionization Process The americium 241 emits alpha particles which collide with air molecules creating ions charged particles This process generates a small steady electrical current within the chamber as the ions move between two charged plates Disruption by Smoke When smoke enters the ionization chamber it attaches to the ions disrupting the flow of electrical current The reduction in current flow is detected by the circuitry within the smoke detector Alarm Activation The decrease in current flow triggers the alarm alerting occupants to the presence of smoke and potential fire Characteristics and Advantages Sensitivity to Fast Flaming Fires Ionization smoke detectors are particularly responsive to fast flaming fires that produce small invisible combustion particles These fires often spread rapidly and can be detected quickly by ionization detectors Cost Effective Generally ionization smoke detectors are less expensive than photoelectric smoke detectors Widespread Use They are widely used and can be found in many homes and commercial buildings Limitations False Alarms Ionization smoke detectors are more prone to false alarms caused by cooking fumes or steam Less Effective for Smoldering Fires They are less sensitive to slow smoldering fires that produce larger smoke particles For these types of fires photoelectric smoke detectors are more effective Radioactive Material Although the amount of radioactive material used is very small and poses minimal health risk some people may prefer to avoid products containing radioactive substances Installation and Maintenance Placement Install ionization smoke detectors on every level of the home inside each bedroom and outside sleeping areas They should be placed on the ceiling or high on the wall Regular Testing Test the detectors monthly to ensure they are working properly Most units have a test button that can be pressed to check the alarm Battery

Replacement Replace the batteries at least once a year or whenever the low battery warning sounds Some newer models come with long life batteries that last up to 10 years Replacement of Units Replace the entire smoke detector unit every 8 10 years as sensors and electronic components degrade over time Combination Detectors Many modern smoke detectors combine both ionization and photoelectric sensors to provide comprehensive protection against both fast flaming and smoldering fires These dual sensor detectors can offer enhanced safety and help reduce the likelihood of false alarms Summary Ionization smoke detectors are an effective and affordable solution for detecting fast flaming fires However for optimal fire protection especially in residential settings it s often recommended to use a combination of ionization and photoelectric smoke detectors or dual sensor units Regular maintenance and proper placement are key to ensuring these devices function correctly and provide early warning in the event of a fire

**The Savvy Guide to Home Security** John Paul Mueller,2005 Whether you are planning to design and install a system yourself or work with professionals this book is a valuable tool in securing your home offers coverage of home offices provides interviews with security experts and offers many recommendations on security systems

**Planner's Guide to Facilities Layout and Design for the Defense Communications System Physical Plant** ,1985 *A Practical Guide to the Wiring Regulations* Geoffrey Stokes,2008-04-15 This book provides a thorough practical guide to the Wiring Regulations BS 7671 2001 It features in particular worked design examples extensive tabular material and checklists numerous illustrations particular attention to the subjects of inspection testing verification certification and reporting NICEIC specimen certificates and other forms guidance on specialised installations The Third Edition has been updated to take account of the 2001 amendments to the Wiring Regulations including revisions on protection against overcurrent isolation and switching zoning requirements for locations containing a bath or shower construction site installations highway power supplies and street furniture and equipment

**Safety Manager's Guide to Fire Protection** David G. Trebisacci,Wayne G. Carson,2004 Purpose of guide is to furnish basic information on how to reduce fires and fire loss in the workplace Safety managers are all those who are responsible for fire safety in their facilities e g facilities managers building owners and operators building managers maintenance personnel and operating engineers

**Chilled Beams: A Comprehensive Guide** Charles Nehme, In an era of rising energy costs and increasing awareness of environmental responsibility the building industry is constantly seeking innovative and efficient solutions for thermal comfort Chilled beams have emerged as a powerful tool in this quest offering a unique blend of energy savings improved comfort and architectural flexibility This book aims to be your comprehensive guide to the world of chilled beams Whether you are a seasoned building engineer an aspiring architect a curious facility manager or a student eager to learn this book is designed to equip you with the knowledge and understanding to confidently navigate the design installation and operation of these impressive systems Throughout the following chapters we will delve into the fundamentals of chilled beams starting with the basic principles of operation and working our way up to advanced topics like

sustainable design and future trends We will explore different types of chilled beams their selection criteria and the key considerations for effective system design and integration We will delve into the intricacies of ductwork design control strategies and installation best practices Finally real world case studies will showcase the successful application of chilled beams in various building types demonstrating their tangible benefits This book is not just a technical manual it is an invitation to explore the potential of chilled beams to shape the future of comfortable sustainable and energy efficient buildings By empowering you with knowledge we aim to unlock the full potential of this technology and contribute to a greener more comfortable future for all So turn the page embark on this journey and discover the world of chilled beams

**NFPA Pocket Guide to Fire Alarm System Installation** Merton W. Bunker, Jr., Richard J. Roux, 2006 Fully updated to reflect the provisions of the 2007 National Fire Alarm Code NFPA 72 and the 2005 National Electrical Code NFPA 70 this brand new edition provides all the information you need to design install or maintain fire alarm systems It has been reorganized to follow the order of topics presented within the NFPA and includes updated requirements for power supplies survivability and spacing of detectors and notification appliances *Handbook on the Wiring Regulations* Electrical Contractors' Association (ECA), 2008-04-15 This well established handbook written and sponsored by the Electrical Contractors Association and Select formerly the Electrical Contractors Association of Scotland provides a detailed authoritative guide to the Wiring Regulations BS 7671 Requirements for Electrical Installations As the regulations are not drafted by topic the handbook will be particularly useful in guiding designers installers inspectors and testers round the various requirements It gives practical guidance on how to approach new installations extensions to existing installations and the more extensive testing and inspection which are required The handbook has been revised to take account of amendments introduced by BS 7671 2001 effective from 1 January 2002 The most significant changes are chapter 13 rewritten to include three sections on protection for safety design and selection of electrical equipment a new chapter 44 on overvoltage protection a new chapter 48 on high fire risk situations revisions to the requirements on rooms containing a bath or shower new earthing requirements for the installation of equipment with high protective conductor outlets **Fire and Life Safety Inspection Manual** Robert E. Solomon, 2002 Protect lives and property with state of the art guidance on conducting safe thorough accurate inspections Expanded with updated facts and new chapters Completely revised and updated to reflect the latest procedures and code requirements the Fire and Life Safety Inspection Manual is your step by step guide through the complete fire inspection process with special emphasis on life safety considerations Formerly the NFPA Inspection Manual it covers the full range of hazards and gives you solid advice on identifying and correcting problems Easy to follow checklists help you remember and record every important detail Early chapters provide important background information while the second half presents inspection guidelines for specific fire protection systems and occupancies that are based on the Life Safety Code R In addition to discussing fundamentals such as inspection procedures and report writing this comprehensive

manual now includes all new chapters on Housekeeping and Building Procedures Water Mist Systems Day Care Occupancies Ambulatory Health Care Facilities and Semi Conductor Manufacturing With 150 illustrations more sample forms and a larger format this acclaimed manual is more helpful than ever Perfect for use in the field the Manual features a new 8 1 2 x 11 size with full page checklists at the back of the book linked to individual chapters Detailed visuals throughout help you understand complicated concepts Whether you re just starting your career as a fire inspector or ready to brush up on the basics the Fire and Life Safety Inspection Manual has the reliable inspection advice you need *Detector Directory* K. R. Mniszewski, Thomas E. Waterman, S. W. Harpe, 1978

**Black and Decker the Complete Guide to Wiring, Updated 9th Edition** Editors of Cool Springs Press, 2025-06-24 For over 15 years BLACK DECKER The Complete Guide to Wiring has been the best selling home wiring manual in North America With this updated 9th edition get the clearest most up to date advice available As the most current wiring book on the market you can be confident that your projects will meet national wiring codes You ll also spend more time on your project and less time scratching your head thanks to more than 750 clear color photos and over 50 diagrams that show you exactly what you need to know about home electrical service all the most common circuits all the most needed techniques all the most essential tools and materials Chapters include Working Safely with Wiring Wire Cable Conduit Boxes Panels Switches including wall switches and specialty switches Receptacles Preliminary Work planning your project highlights of the National Electrical Code and more Circuit Maps Common Wiring Projects whole house surge arrestors underfloor radiant heat systems doorbells backup power supply and many more Repair Projects light fixtures ceiling fans lamp sockets plugs and cords and more The information in this book has been created and reviewed by professional electricians under the watchful eye of the experts at BLACK DECKER You can find plenty of articles and videos about wiring online or in other publications but only The Complete Guide to Wiring has passed the rigorous test to make it part of the best DIY series from the brand you trust

**Black & Decker The Complete Guide to Wiring, Updated 7th Edition** Editors of Cool Springs Press, 2017-12-01 BLACK DECKER s latest edition of the best selling home improvement book in North America for more than a decade is completely updated to conform to 2017 2020 national electrical codes For more than ten years BLACK DECKER The Complete Guide to Wiring has been the best selling home wiring manual in North America Now with more than two million copies in print this is the home reference book more DIYers choose than any other for many reasons As the most current wiring book on the market you can be confident that your projects will meet national wiring codes You ll also spend more time on your project and less time scratching your head thanks to more than 800 clear color photos and over 40 diagrams that show you exactly what you need to know about home electrical service all the most common circuits all the most needed techniques all the most essential tools and materials The information in this book has been created and reviewed by professional electricians under the watchful eye of the experts at BLACK DECKER You can find plenty of articles and videos about wiring online or in other publications but only The Complete

Guide to Wiring has passed the rigorous test to make it part of The Best DIY Series from the Brand You Trust *Black & Decker The Complete Guide to Wiring, Updated 6th Edition* Editors of Cool Springs Press, 2014-05-15 DIV The best DIY wiring book on the market six times over div DIV div DIV Black wire cable and conduits boxes and panels switches and receptacles to foolproof circuit maps for 30 common wiring set ups and step by step walkthroughs of every essential home wiring and electrical repair project this book teaches you everything you need to know Now in its sixth edition it has most importantly been updated to comply with 2014 2017 National Electric Codes but in addition nearly 1 000 accompanying photos offer up to date depictions of modern materials and fixtures Complete with the most current wiring information available today and presented in our long renowned fully illustrated how to format *Black Decker The Complete Guide to Wiring 6th Edition* guarantees you ll never be caught in the dark div **Approval Guide** ,1993 *Black & Decker The Complete Guide to Wiring, 5th Edition* ,2011-05 The Complete Guide to Wiring has been America s very best selling consumer wiring book for more than a decade with previous editions selling more than 1 million copies This fifth edition has been updated to comply with 2011 2013 Electrical Codes It also includes an all new Home Automation chapter as well as major revisions to lighting and ventilation equipment hookups and new material on working with conduit and raceways **Handbook of Standards and Guidelines in Human Factors and Ergonomics** Waldemar Karwowski, Anna Szopa, Marcelo M. Soares, 2021-06-28 With an updated edition including new material in additional chapters this one of a kind handbook covers not only current standardization efforts but also anthropometry and optimal working postures ergonomic human computer interactions legal protection occupational health and safety and military human factor principles While delineating the crucial role that standards and guidelines play in facilitating the design of advantageous working conditions to enhance individual performance the handbook suggests ways to expand opportunities for global economic and ergonomic development This book features Guidance on the design of work systems including tasks equipment and workspaces as well as the work environment in relation to human capacities and limitations Emphasis on important human factors and ergonomic standards that can be utilized to improve product and process to ensure efficiency and safety A focus on quality control to ensure that standards are met throughout the worldwide market *Black & Decker The Complete Guide to Wiring Updated 8th Edition* Editors of Cool Springs Press, 2022-02-08 The Complete Guide to Wiring is BLACK DECKER s eighth edition of the best selling home improvement book in North America for more than a decade now completely updated to conform to 2020 2023 National Electrical Code *Field Guide for Fire Investigators* Custer, Richard L. P. Cluster, 2006-05-19 NFPA s Field Guide is your direct link to the information you need to conduct thorough and accurate investigations As a fire investigator your job is to provide answers as to origin and cause NFPA s Field Guide for Fire Investigators is like having your own personal assistant on hand to locate the facts and figures for you Save time and get better results with a compact reference library in a single volume Need to know the phone number for the Bureau of Alcohol Tobacco and Firearms Or the heat release rate or ignition



temperature of a particular material How about which symbol to use for specific fire protection equipment in your scene sketch Just reach for your Field Guide This substantive resource has tables charts lists art and more from the most respected references in the field including NFPA 921 and NFPA 170 NFPA's Fire Protection Handbook SFPE Handbook of Fire Protection Engineering Data is organized into sections for fast and easy information retrieval Complete backup is provided for every phase of the investigation process Before Going to the Fire Scene Fire Scene Documentation and Analysis Building Construction and Systems Information for the Fire Investigator SI Units and Conversion Tables Cover your information needs with the Field Guide for Fire Investigators Fire investigators insurance personnel fire NFPA's Field Guide is your direct link to the information you need to conduct thorough and accurate investigations As a fire investigator your job is to provide answers as to origin and cause NFPA's Field Guide for Fire Investigators is like having your own personal assistant on hand to locate the facts and figures for you Save time and get better results with a compact reference library in a single volume Need to know the phone number for the Bureau of Alcohol Tobacco and Firearms Or the heat release rate or ignition temperature of a particular material How about which symbol to use for specific fire protection equipment in your scene sketch Just reach for your Field Guide for answers to these questions information on building construction and systems and much more This substantive resource has tables charts lists art and more from the most respected references in the field including NFPA 921 and NFPA 170 NFPA's Fire Protection Handbook and the SFPE Handbook of Fire Protection Engineering Data is organized into sections for fast and easy information retrieval and complete backup is provided for every phase of the investigation process From pre arrival activities to documentation and analysis this guide has you covered Cover your information needs with the Field Guide for Fire Investigators Fire investigators insurance personnel fire officers and attorneys should all add this resource to their tools of the trade and attorneys should all add this resource to their tools of the trade

[Handbook of Burns Volume 1](#) Marc G. Jeschke,Lars-Peter Kamolz,Folke Sjöberg,Steven E. Wolf,2019-10-29 The second edition of this volume provides updated information on acute burn treatment It also discusses genomic responses to burns and novel techniques in this area Divided into four topical parts this book provides insights into the history epidemiology prevention of burns as well as initial and pre hospital management of burns acute burn care and therapy and non thermal burns All chapters have been edited by leading world authorities on burn care and offer readers a broad overview of the techniques and outcomes in this area Please also have a look at Handbook of Burns Volume 2 Reconstruction and Rehabilitation 2nd edition

**Martha Stewart's Homekeeping Handbook** Martha Stewart,2006-10-31 Whether your home is small or large an apartment in the city or a country cottage it is a space that should be at once beautiful and livable The key to that is managing the upkeep without feeling flustered Until now there has never been a comprehensive resource that not only tells how to care for your home and everything in it but that also simplifies the process by explaining just when With secrets from Martha Stewart for accomplishing the most challenging homekeeping tasks with ease this detailed and

comprehensive book is the only one you will need to help you keep your home looking its best floor to ceiling room by room In Martha Stewart s Homekeeping Handbook Martha shares her unparalleled expertise in home maintenance and care Readable and practical and graced with charts sidebars illustrated techniques and personal anecdotes from Martha s decades of experience caring for her homes this is far more than just a compendium of ways to keep your house clean It covers everything from properly executing a living room floor plan to setting a formal table from choosing HEPA filters to sealing soapstone countertops from organizing your home office to polishing your silver and caring for family heirlooms Martha Stewart s Homekeeping Handbook is organized for clarity and maximum practicality Room by Room covers the upkeep of the appliances tools furnishings and surfaces found in each room from the entryway to the kitchen from the attic to the laundry room Throughout the House instructs the reader on the proper ways to routinely clean and periodically maintain everything in the home including dusting sweeping vacuuming polishing scrubbing waxing and much more Comfort and Safety focuses on techniques to ensure your home is running properly and safely such as recognizing when to clean vents fixing a leaky faucet and eradicating pests A to Z Materials Guide provides an invaluable resource that explains the unusual materials that many favorite objects are made of from abalone to zinc and how to care for them so they last Encyclopedic yet friendly Martha Stewart s Homekeeping Handbook is a seminal work a must have for everyone who wants a well cared for home that will endure for generations

Eventually, you will enormously discover a new experience and success by spending more cash. yet when? reach you bow to that you require to get those every needs in the same way as having significantly cash? Why dont you try to get something basic in the beginning? Thats something that will guide you to comprehend even more concerning the globe, experience, some places, next history, amusement, and a lot more?

It is your agreed own mature to feat reviewing habit. in the course of guides you could enjoy now is **Guide For Beam Smoke Detector Use** below.

[https://staging.conocer.cide.edu/data/browse/default.aspx/infiniti\\_m37\\_manual.pdf](https://staging.conocer.cide.edu/data/browse/default.aspx/infiniti_m37_manual.pdf)

## **Table of Contents Guide For Beam Smoke Detector Use**

1. Understanding the eBook Guide For Beam Smoke Detector Use
  - The Rise of Digital Reading Guide For Beam Smoke Detector Use
  - Advantages of eBooks Over Traditional Books
2. Identifying Guide For Beam Smoke Detector Use
  - Exploring Different Genres
  - Considering Fiction vs. Non-Fiction
  - Determining Your Reading Goals
3. Choosing the Right eBook Platform
  - Popular eBook Platforms
  - Features to Look for in an Guide For Beam Smoke Detector Use
  - User-Friendly Interface
4. Exploring eBook Recommendations from Guide For Beam Smoke Detector Use
  - Personalized Recommendations
  - Guide For Beam Smoke Detector Use User Reviews and Ratings
  - Guide For Beam Smoke Detector Use and Bestseller Lists
5. Accessing Guide For Beam Smoke Detector Use Free and Paid eBooks

- Guide For Beam Smoke Detector Use Public Domain eBooks
  - Guide For Beam Smoke Detector Use eBook Subscription Services
  - Guide For Beam Smoke Detector Use Budget-Friendly Options
6. Navigating Guide For Beam Smoke Detector Use eBook Formats
- ePub, PDF, MOBI, and More
  - Guide For Beam Smoke Detector Use Compatibility with Devices
  - Guide For Beam Smoke Detector Use Enhanced eBook Features
7. Enhancing Your Reading Experience
- Adjustable Fonts and Text Sizes of Guide For Beam Smoke Detector Use
  - Highlighting and Note-Taking Guide For Beam Smoke Detector Use
  - Interactive Elements Guide For Beam Smoke Detector Use
8. Staying Engaged with Guide For Beam Smoke Detector Use
- Joining Online Reading Communities
  - Participating in Virtual Book Clubs
  - Following Authors and Publishers Guide For Beam Smoke Detector Use
9. Balancing eBooks and Physical Books Guide For Beam Smoke Detector Use
- Benefits of a Digital Library
  - Creating a Diverse Reading Collection Guide For Beam Smoke Detector Use
10. Overcoming Reading Challenges
- Dealing with Digital Eye Strain
  - Minimizing Distractions
  - Managing Screen Time
11. Cultivating a Reading Routine Guide For Beam Smoke Detector Use
- Setting Reading Goals Guide For Beam Smoke Detector Use
  - Carving Out Dedicated Reading Time
12. Sourcing Reliable Information of Guide For Beam Smoke Detector Use
- Fact-Checking eBook Content of Guide For Beam Smoke Detector Use
  - Distinguishing Credible Sources
13. Promoting Lifelong Learning
- Utilizing eBooks for Skill Development

- Exploring Educational eBooks
14. Embracing eBook Trends
- Integration of Multimedia Elements
  - Interactive and Gamified eBooks

### **Guide For Beam Smoke Detector Use Introduction**

In this digital age, the convenience of accessing information at our fingertips has become a necessity. Whether its research papers, eBooks, or user manuals, PDF files have become the preferred format for sharing and reading documents. However, the cost associated with purchasing PDF files can sometimes be a barrier for many individuals and organizations. Thankfully, there are numerous websites and platforms that allow users to download free PDF files legally. In this article, we will explore some of the best platforms to download free PDFs. One of the most popular platforms to download free PDF files is Project Gutenberg. This online library offers over 60,000 free eBooks that are in the public domain. From classic literature to historical documents, Project Gutenberg provides a wide range of PDF files that can be downloaded and enjoyed on various devices. The website is user-friendly and allows users to search for specific titles or browse through different categories. Another reliable platform for downloading Guide For Beam Smoke Detector Use free PDF files is Open Library. With its vast collection of over 1 million eBooks, Open Library has something for every reader. The website offers a seamless experience by providing options to borrow or download PDF files. Users simply need to create a free account to access this treasure trove of knowledge. Open Library also allows users to contribute by uploading and sharing their own PDF files, making it a collaborative platform for book enthusiasts. For those interested in academic resources, there are websites dedicated to providing free PDFs of research papers and scientific articles. One such website is Academia.edu, which allows researchers and scholars to share their work with a global audience. Users can download PDF files of research papers, theses, and dissertations covering a wide range of subjects. Academia.edu also provides a platform for discussions and networking within the academic community. When it comes to downloading Guide For Beam Smoke Detector Use free PDF files of magazines, brochures, and catalogs, Issuu is a popular choice. This digital publishing platform hosts a vast collection of publications from around the world. Users can search for specific titles or explore various categories and genres. Issuu offers a seamless reading experience with its user-friendly interface and allows users to download PDF files for offline reading. Apart from dedicated platforms, search engines also play a crucial role in finding free PDF files. Google, for instance, has an advanced search feature that allows users to filter results by file type. By specifying the file type as "PDF," users can find websites that offer free PDF downloads on a specific topic. While downloading Guide For Beam Smoke Detector Use free PDF files is convenient, its important to note that copyright laws must be respected. Always ensure that the PDF files you download are

legally available for free. Many authors and publishers voluntarily provide free PDF versions of their work, but its essential to be cautious and verify the authenticity of the source before downloading Guide For Beam Smoke Detector Use. In conclusion, the internet offers numerous platforms and websites that allow users to download free PDF files legally. Whether its classic literature, research papers, or magazines, there is something for everyone. The platforms mentioned in this article, such as Project Gutenberg, Open Library, Academia.edu, and Issuu, provide access to a vast collection of PDF files. However, users should always be cautious and verify the legality of the source before downloading Guide For Beam Smoke Detector Use any PDF files. With these platforms, the world of PDF downloads is just a click away.

### **FAQs About Guide For Beam Smoke Detector Use Books**

**What is a Guide For Beam Smoke Detector Use PDF?** A PDF (Portable Document Format) is a file format developed by Adobe that preserves the layout and formatting of a document, regardless of the software, hardware, or operating system used to view or print it. **How do I create a Guide For Beam Smoke Detector Use PDF?** There are several ways to create a PDF: Use software like Adobe Acrobat, Microsoft Word, or Google Docs, which often have built-in PDF creation tools. Print to PDF: Many applications and operating systems have a "Print to PDF" option that allows you to save a document as a PDF file instead of printing it on paper. Online converters: There are various online tools that can convert different file types to PDF. **How do I edit a Guide For Beam Smoke Detector Use PDF?** Editing a PDF can be done with software like Adobe Acrobat, which allows direct editing of text, images, and other elements within the PDF. Some free tools, like PDFescape or Smallpdf, also offer basic editing capabilities. **How do I convert a Guide For Beam Smoke Detector Use PDF to another file format?** There are multiple ways to convert a PDF to another format: Use online converters like Smallpdf, Zamzar, or Adobe Acrobats export feature to convert PDFs to formats like Word, Excel, JPEG, etc. Software like Adobe Acrobat, Microsoft Word, or other PDF editors may have options to export or save PDFs in different formats. **How do I password-protect a Guide For Beam Smoke Detector Use PDF?** Most PDF editing software allows you to add password protection. In Adobe Acrobat, for instance, you can go to "File" -> "Properties" -> "Security" to set a password to restrict access or editing capabilities. Are there any free alternatives to Adobe Acrobat for working with PDFs? Yes, there are many free alternatives for working with PDFs, such as: LibreOffice: Offers PDF editing features. PDFsam: Allows splitting, merging, and editing PDFs. Foxit Reader: Provides basic PDF viewing and editing capabilities. How do I compress a PDF file? You can use online tools like Smallpdf, ILovePDF, or desktop software like Adobe Acrobat to compress PDF files without significant quality loss. Compression reduces the file size, making it easier to share and download. Can I fill out forms in a PDF file? Yes, most PDF viewers/editors like Adobe Acrobat, Preview (on Mac), or various online tools allow you to fill out forms in PDF files

by selecting text fields and entering information. Are there any restrictions when working with PDFs? Some PDFs might have restrictions set by their creator, such as password protection, editing restrictions, or print restrictions. Breaking these restrictions might require specific software or tools, which may or may not be legal depending on the circumstances and local laws.

### **Find Guide For Beam Smoke Detector Use :**

**infiniti m37 manual**

**ing investment management annual report**

**industrial electronics n6 question papers**

infocus lp815 user guide

*infiniti g35 60k service*

~~industrial electronics n2 previous question papers and memo~~

*infopodb sma negeri mojokerto 2015*

infiniti qx4 2015 evaporative system repair manual

infinite series james m hyslop

infant lessons jungle animals

ingersol rand xp185wjd parts manual

**info pldb smanda purbalingga th 2015**

**indicator light on 2007 fuso truck**

infiniti fx35 owner manual

~~infant and toddler bulletin board art ideas~~

### **Guide For Beam Smoke Detector Use :**

**introducing advanced macroeconomics growth and business** - Mar 30 2022

web in the book entitled introducing advanced macroeconomics growth and business cycles the authors peter birch sørensen chief economist of the central bank of

introducing advanced macroeconomics growth and - Feb 09 2023

web introducing advanced macroeconomics growth and business cycles preface chapter 1 macroeconomics for the long run and for the short run book one the

**introducing advanced macroeconomics growth and business** - Apr 30 2022

web introducing advanced macroeconomics growth and business cycles economia e discipline aziendali authors peter birch sørensen hans jørgen whitta jacobsen

*introducing advanced macroeconomics growth* - Feb 26 2022

web u knjizi pod naslovom introducing advanced macroeconomics growth and business cycles autori peter birch sørensen glavni ekonomista centralne banke danske i

**introducing advanced macroeconomics growth** - Jun 01 2022

web introducing advanced macroeconomics peter birch sørensen hans jørgen whitta jacobsen mcgraw hill 2005 business cycles 869 pages aimed at the advanced

**sørensen p b whitta jacobsen h j introducing advanced** - Oct 25 2021

web may 9th 2018 introducing advanced macroeconomics growth and business cycles 2nd edition provides students with a thorough understanding of fundamental models in

*introducing advanced macroeconomics growth* - Mar 10 2023

web mar 1 2010 introducing advanced macroeconomics growth and business cycles 89 99 only 9 left in stock more on the way this title provides students with a thorough

**intermediate macroeconomics oxford university press** - Dec 27 2021

web introducing advanced macroeconomics growth and business cycles second free ebook download as pdf file pdf text file txt or read book online for free peter

**introducing advanced macroeconomics growth business cycles** - Jan 08 2023

web jan 1 2010 request pdf on jan 1 2010 p b sorensen and others published introducing advanced macroeconomics growth business cycles find read

**introducing advanced macroeconomics growth and business** - May 12 2023

web oxford university press 2022 business cycles 929 pages bridging intermediate and advanced macroeconomics study the authors use empirical examples to introduce

**ebook introducing advanced macroeconomics growth and** - Jun 13 2023

web mar 16 2010 mcgraw hill mar 16 2010 business economics 864 pages introducing advanced macroeconomics growth and business cycles 2nd edition

introducing advanced macroeconomics growth and business - Dec 07 2022

web introducing advanced macroeconomics growth and business cycles sorensen peter whitta jacobsen hans amazon com tr kitap ana içeriğe atla com tr merhaba



**introducing advanced macroeconomics growth and business** - Sep 23 2021

web sep 8 2023 access free introducing advanced macroeconomics growth and business cycles pdf free copy economic growth and macroeconomic dynamics

**introducing advanced macroeconomics growth** - Jan 28 2022

web hans jørgen whitta jacobsen peter birch sørensen 9780198850496 paperback 18 july 2022 bridging intermediate and advanced macroeconomics study the authors use

*introducing advanced macroeconomics information center* - Aug 15 2023

web introducing advanced macroeconomics growth and business cycles 2nd edition provides students with a thorough understanding of fundamental models in macroeconomics and introduces them to methods of formal macroeconomic analysis  
[access free introducing advanced macroeconomics growth and](#) - Aug 23 2021

[introducing advanced macroeconomics 3rd edition vitalsource](#) - Aug 03 2022

web a 9780077117863 q pbk a introducing advanced macroeconomics b growth and business cycles c peter birch sørensen hans jørgen whitta jacobsen a new york

**introducing advanced macroeconomics growth and business** - Jul 02 2022

web i used the first half of this book for an advanced undergraduate class on the macroeconomics of growth from what i ve read i think the book is as good as one

**introducing advanced macroeconomics growth and business** - Nov 25 2021

web jan 1 2013 sørensen p b whitta jacobsen h j introducing advanced macroeconomics growth and business cycles the 2nd edition mcgraw hill

*introducing advanced macroeconomics 3e learning link* - Apr 11 2023

web bridging intermediate and advanced macroeconomics study the authors use a step by step methodology and empirical examples to introduce students to methods of formal

**introducing advanced macroeconomics growth and** - Oct 05 2022

web 18 explaining business cycles aggregate supply and aggregate demand in action 517 18 1 the model of aggregate supply and aggregate demand 519 18 2 business fluctuations

*introducing advanced macroeconomics oxford university press* - Jul 14 2023

web jul 18 2022 price 62 99 bridging intermediate and advanced macroeconomics study the authors use empirical examples to introduce students step by step to methods of

[second edition introducing advanced macroeconomics gbv](#) - Sep 04 2022

web introducing advanced macroeconomics growth and business cycles 3rd edition is written by hans jørgen whitta jacobsen and peter birch sørensen and published by

**introducing advanced macroeconomics growth and business** - Nov 06 2022

web aimed at the advanced undergraduate student introducing advanced macroeconomics growth and business cycles bridges the gap between intermediate macroeconomics

[exercise on digital circuits rice university uniport edu](#) - Feb 25 2022

web may 26 2023 parts circuits electronics digital systems and electromagnetics this text provides an understanding of the fundamental principles on which modern electrical

**exercise on digital circuits rice university** - Oct 04 2022

web sep 9 2023 april 20th 2018 rice university electronic has been the thrust behind increasingly powerful integrated circuits for over managed by the digital scholarship

**exercise on digital circuits rice university book** - Apr 10 2023

web aug 1 2023 exercise on digital circuits rice university 2 4 downloaded from uniport edu ng on august 1 2023 by guest learned and emphasizing connections

[exerciseondigitalcircuitsriceuniversity book](#) - Jul 01 2022

web jun 15 2023 we provide exercise on digital circuits rice university and numerous book collections from fictions to scientific research in any way in the midst of them is this

*exercise on digital circuits rice university copy uniport edu* - May 31 2022

web exercise on digital circuits rice university 1 6 map index pdf exercise on digital circuits rice university this is likewise one of the factors by obtaining the soft

**exercise on digital circuits rice university pdf uniport edu** - Jun 12 2023

web rice research on digital integrated circuits and vlsi spans high performance processors fpgas to energy efficient accelerators covering applications in digital communication

[exercise on digital circuits rice university book](#) - Aug 02 2022

web exercise on digital circuits rice university exercise on digital circuits rice university april 19th 2018 efficient and secure vlsi lab rice university and trustworthy integrated

*exercise on digital circuits rice university* - Feb 08 2023

web may 4 2021 doubt clearing session practice session on digital circuits iv lesson 4 apr 22 2h 5m apr 23 practice session on digital circuits v lesson 5 apr 23 1h

**exercise on digital circuits rice university** - Nov 24 2021

web battery free pacemaker department at rice university told digital and circuits rice university flip flops rice university electrical and computer april 27th 2018 this

*practice course on digital circuits part ii unacademy* - Jan 07 2023

web aug 2 2023 exercise on digital circuits rice university 2 4 downloaded from uniport edu ng on august 2 2023 by guest sectors of the global economy making it a

rice phys 331 exercise on digital circuits d2910678 - Aug 14 2023

web 1 phys 331 junior physics laboratory i exercise on digital circuits this laboratory exercise is designed to introduce you to the operation and use of some rice phys

**exercise on digital circuits rice university** - Oct 24 2021

**tricky digital electronic circuits questions and answers** - Mar 29 2022

web you could purchase guide exercise on digital circuits rice university or acquire it as soon as feasible you could quickly download this exercise on digital circuits rice university

**exercise on digital circuits rice university copy uniport edu** - Jan 27 2022

web jul 29 2023 ambition to download and install the exercise on digital circuits rice university it is unconditionally easy then in the past currently we extend the colleague

pdf exercise on digital circuits rice - Sep 15 2023

web 1 phys 331 junior physics laboratory i exercise on digital circuits this laboratory exercise is designed to introduce you to the operation and use of some simple digital

**resources sims lab rice university** - Jul 13 2023

web aug 8 2023 will extremely offer it is not approaching the costs its about what you infatuation currently this exercise on digital circuits rice university as one of the

**exercise on digital circuits rice university** - Sep 03 2022

web exercise on digital circuits rice university is available in our digital library an online access to it is set as public so you can download it instantly our books collection spans

exercise on digital circuits rice university uniport edu - Dec 06 2022

web apr 12 2021 practice course on digital circuits b v reddy in this course b v reddy sir will discuss all the variety of problems with concepts pyqs of gate ese and other

**computer engineering digital circuits and vlsi ce rice edu** - May 11 2023

web exercise on digital circuits rice university 2 downloaded from interactivearchivist archivists org on 2020 11 21 by guest

rice university makes

*exercise on digital circuits rice university pdf uniport edu* - Mar 09 2023

web exercise on digital circuits rice university april 28th 2018 rice university on youtube includes classes and lab exercises on kinematics newton s laws work and

**exercise on digital circuits rice university uniport edu** - Dec 26 2021

web digital circuits rice university thu 12 apr 2018 08 26 projects vertically integrated projects of rice university basic electronics rice university april 18th 2018 an

exercise on digital circuits rice university download only yvc - Apr 29 2022

web 8 what is the major difference between dram and sram a dynamic rams are always active static rams must reset between data read write cycles b srams can hold data

**practice course on digital circuits unacademy** - Nov 05 2022

web march 14th 2018 rice university the course web page outside of normal hours with a rice id through the north side door a report on the digital circuits exercise basic

**warum nett sein weniger erfolgreich ist 20 tipps für den** - Jan 12 2022

web der arschloch faktor vom geschickten umgang mit a thank you very much for reading der arschloch faktor vom as you may know people have search numerous times

**der arschloch faktor vom geschickten umgang mit** - Dec 23 2022

web der arschloch faktor vom geschickten umgang mit aufschneidern intriganten und despoten im unternehmen by sutton robert i and a great selection of related books

**arschloch faktor abebooks** - Nov 21 2022

web in bezug auf das betriebsklima in unternehmen beschreibt der organisationspsychologe robert i sutton professor an der stanford graduate school of business ebenfalls

**robert sutton der arschloch faktor focus online** - Aug 19 2022

web may 3 2016 endlich mal einer der im sinne der mehrheit der mitarbeiter handelt einer der bewusst den arschloch faktor niedrig hält aber es gibt auch ein gegenargument

arschloch wikipedia - Oct 21 2022

web der arschloch faktor vom geschickten umgang mit a downloaded from pantera adecco com by guest izaiah john der 2 stunden chef ariston hochbegabte

der arschloch faktor vom geschickten umgang mit - Apr 26 2023

web apr 20 2008 jost w kramer rezension vom 20 04 2008 zu robert i sutton der arschloch faktor vom geschickten umgang

mit aufschneidern intriganten und

**was ein arschloch ist und nach welchen umgangsformen es ruft** - Nov 09 2021

*der arschloch faktor vom geschickten ab 0 50* - Jun 16 2022

web der arschloch faktor vom geschickten umgang mit a downloaded from eagldemo2 eagltechnology com by guest giovanna brynn harpercollins warum

**der arschloch faktor vom geschickten umgang mit** - Oct 01 2023

web der arschloch faktor vom geschickten umgang mit aufschneidern intriganten und despoten im unternehmen sutton robert i pfeiffer thomas isbn 9783446407046

**der arschloch faktor vom geschickten umgang mit a pdf** - Apr 14 2022

web der arschloch faktor vom geschickten umgang mit a downloaded from banking finance gov ie by guest korbin clarke der zornkönig campus verlag

der arschloch faktor vom geschickten umgang mit a - Dec 11 2021

web mar 26 2017 es kann aber auch zur bewussten ansprache von mit betroffenen führen bei denen verständnis zu erwarten ist solche bündnisse sind allerdings nach aller

der arschloch faktor vom geschickten umgang mit a 2023 - Sep 19 2022

web aug 15 2014 sutton robert der arschloch faktor vom geschickten umgang mit aufschneidern intriganten und despoten in unternehmen hanser wirtschaft 2006 206

*der arschloch faktor vom geschickten umgang mit a pdf* - Feb 10 2022

web aug 5 2013 22 tipps für mehr arschloch faktor im umgang mit kunden ein bonner verkehrsunternehmen hat das mit dem arschlochfaktor übrigens recht wörtlich

der arschloch faktor vom geschickten umgang mit a - May 16 2022

web sep 22 2023 der arschloch faktor vom geschickten umgang mit a 2 10 downloaded from uniport edu ng on september 22 2023 by guest strukturiertes vielfältiges

**socialnet rezensionen der arschloch faktor vom geschickten** - Mar 26 2023

web mar 3 2008 der arschloch faktor vom geschickten umgang mit aufschneidern intriganten und despoten in unternehmen by robert i sutton 0 ratings 0 want to read

**der arschloch faktor edition f** - Jul 18 2022

web der arschloch faktor vom geschickten umgang mit aufschneidern intriganten und despoten im unternehmen sutton robert i 2007 isbn 9783446407046 buch

**der arschloch faktor vom geschickten umgang mit a** - Mar 14 2022

web may 13 2023 viele jahre von der Öffentlichkeit verkannt und von der psychologie ignoriert war die macht für die meisten menschen ein tabuthema nur die eliten

**der arschloch faktor vom geschickten umgang mit** - Jan 24 2023

web der arschloch faktor vom geschickten umgang mit aufschneidern intriganten und despoten in unternehmen by robert i sutton 2006 10 06 isbn kostenloser

der arschloch faktor von robert i sutton getabstract - May 28 2023

web der arschloch faktor vom geschickten umgang mit aufschneidern intriganten und despoten im unternehmen robert i sutton amazon de bücher bücher

*der arschloch faktor by robert i sutton open library* - Feb 22 2023

web buy der arschloch faktor vom geschickten umgang mit aufschneidern intriganten und despoten in unternehmen by sutton robert i pfeiffer thomas isbn

**der arschloch faktor vom geschickten umgang mit** - Jun 28 2023

web der arschloch faktor von robert i sutton gratis zusammenfassung melden sie sich bei getabstract an um die zusammenfassung zu erhalten robert i sutton der

**der arschloch faktor vom geschickten umgang mit** - Aug 31 2023

web der arschloch faktor vom geschickten umgang mit a 3 3 werden musste und obwohl studiengänge die für das sozialmanagement ausbilden module zum thema

*der arschloch faktor vom geschickten umgang mit a 2023* - Jul 30 2023

web dieses rotzfreche buch von robert sutton renommierter management autor und professor in stanford liefert den beweis arslöcher sind nicht nur eine unerträgliche zumutung