

SYSTEM WIRING DIAGRAMS

Article Text

1994 Volkswagen Golf III

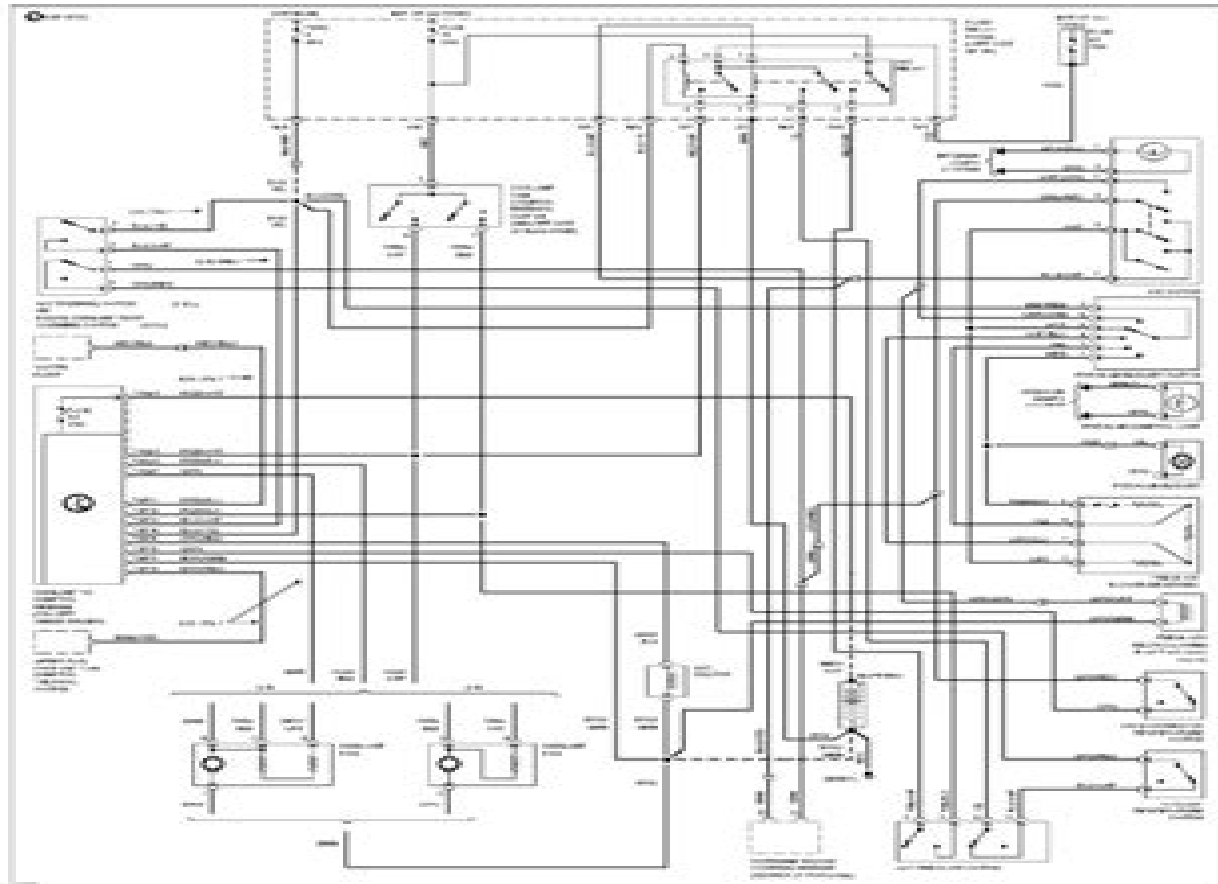
For Volkswagen Technical Site

Copyright © 1998 Mitchell Repair Information Company, LLC
Tuesday, December 07, 1999 11:19PM

ARTICLE BEGINNING

1994 System Wiring Diagrams
Volkswagen - Golf III

AIR CONDITIONING



A/C Circuit

Golf 3 Tdi Wiring Diagram 1996

S Nieto



Golf 3 Tdi Wiring Diagram 1996:

Volkswagen Jetta, Golf, GTI Service Manual Bentley Publishers,2003 Bentley Publishers is the exclusive factory authorized publisher of Volkswagen Service Manuals in the United States and Canada In every manual we provide full factory repair procedures specifications tolerances electrical wiring diagrams and lubrication and maintenance information Bentley manuals are the only complete authoritative source of Volkswagen maintenance and repair information Even if you never intend to service your car yourself you ll find that owning a Bentley Manual will help you to discuss repairs more intelligently with your service technician *VW Golf & Jetta Automotive Repair Manual* ,1997 Total Car Care is the most complete step by step automotive repair manual you ll ever use All repair procedures are supported by detailed specifications exploded views and photographs From the simplest repair procedure to the most complex trust Chilton s Total Car Care to give you everything you need to do the job Save time and money by doing it yourself with the confidence only a Chilton Repair Manual can provide *Popular Mechanics* ,1944-12 Popular Mechanics inspires instructs and influences readers to help them master the modern world Whether it s practical DIY home improvement tips gadgets and digital technology information on the newest cars or the latest breakthroughs in science PM is the ultimate guide to our high tech lifestyle

Popular Mechanics ,1945-10 Popular Mechanics inspires instructs and influences readers to help them master the modern world Whether it s practical DIY home improvement tips gadgets and digital technology information on the newest cars or the latest breakthroughs in science PM is the ultimate guide to our high tech lifestyle **Subject Guide to Books in Print** ,2001 **Popular Mechanics** ,1939-07 Popular Mechanics inspires instructs and influences readers to help them master the modern world Whether it s practical DIY home improvement tips gadgets and digital technology information on the newest cars or the latest breakthroughs in science PM is the ultimate guide to our high tech lifestyle **The Reference Catalogue of Current Literature** , The Electrical Journal ,1939 Engineering News ,1898 **School Shop** ,1966

Ignite the flame of optimism with Crafted by is motivational masterpiece, Fuel Your Spirit with **Golf 3 Tdi Wiring Diagram 1996** . In a downloadable PDF format (Download in PDF: *), this ebook is a beacon of encouragement. Download now and let the words propel you towards a brighter, more motivated tomorrow.

<https://staging.conocer.cide.edu/files/detail/index.jsp/Imperial%20Lady.pdf>

Table of Contents Golf 3 Tdi Wiring Diagram 1996

1. Understanding the eBook Golf 3 Tdi Wiring Diagram 1996
 - The Rise of Digital Reading Golf 3 Tdi Wiring Diagram 1996
 - Advantages of eBooks Over Traditional Books
2. Identifying Golf 3 Tdi Wiring Diagram 1996
 - Exploring Different Genres
 - Considering Fiction vs. Non-Fiction
 - Determining Your Reading Goals
3. Choosing the Right eBook Platform
 - Popular eBook Platforms
 - Features to Look for in an Golf 3 Tdi Wiring Diagram 1996
 - User-Friendly Interface
4. Exploring eBook Recommendations from Golf 3 Tdi Wiring Diagram 1996
 - Personalized Recommendations
 - Golf 3 Tdi Wiring Diagram 1996 User Reviews and Ratings
 - Golf 3 Tdi Wiring Diagram 1996 and Bestseller Lists
5. Accessing Golf 3 Tdi Wiring Diagram 1996 Free and Paid eBooks
 - Golf 3 Tdi Wiring Diagram 1996 Public Domain eBooks
 - Golf 3 Tdi Wiring Diagram 1996 eBook Subscription Services
 - Golf 3 Tdi Wiring Diagram 1996 Budget-Friendly Options
6. Navigating Golf 3 Tdi Wiring Diagram 1996 eBook Formats

- ePub, PDF, MOBI, and More
 - Golf 3 Tdi Wiring Diagram 1996 Compatibility with Devices
 - Golf 3 Tdi Wiring Diagram 1996 Enhanced eBook Features
7. Enhancing Your Reading Experience
 - Adjustable Fonts and Text Sizes of Golf 3 Tdi Wiring Diagram 1996
 - Highlighting and Note-Taking Golf 3 Tdi Wiring Diagram 1996
 - Interactive Elements Golf 3 Tdi Wiring Diagram 1996
 8. Staying Engaged with Golf 3 Tdi Wiring Diagram 1996
 - Joining Online Reading Communities
 - Participating in Virtual Book Clubs
 - Following Authors and Publishers Golf 3 Tdi Wiring Diagram 1996
 9. Balancing eBooks and Physical Books Golf 3 Tdi Wiring Diagram 1996
 - Benefits of a Digital Library
 - Creating a Diverse Reading Collection Golf 3 Tdi Wiring Diagram 1996
 10. Overcoming Reading Challenges
 - Dealing with Digital Eye Strain
 - Minimizing Distractions
 - Managing Screen Time
 11. Cultivating a Reading Routine Golf 3 Tdi Wiring Diagram 1996
 - Setting Reading Goals Golf 3 Tdi Wiring Diagram 1996
 - Carving Out Dedicated Reading Time
 12. Sourcing Reliable Information of Golf 3 Tdi Wiring Diagram 1996
 - Fact-Checking eBook Content of Golf 3 Tdi Wiring Diagram 1996
 - Distinguishing Credible Sources
 13. Promoting Lifelong Learning
 - Utilizing eBooks for Skill Development
 - Exploring Educational eBooks
 14. Embracing eBook Trends
 - Integration of Multimedia Elements
 - Interactive and Gamified eBooks

Golf 3 Tdi Wiring Diagram 1996 Introduction

In the digital age, access to information has become easier than ever before. The ability to download Golf 3 Tdi Wiring Diagram 1996 has revolutionized the way we consume written content. Whether you are a student looking for course material, an avid reader searching for your next favorite book, or a professional seeking research papers, the option to download Golf 3 Tdi Wiring Diagram 1996 has opened up a world of possibilities. Downloading Golf 3 Tdi Wiring Diagram 1996 provides numerous advantages over physical copies of books and documents. Firstly, it is incredibly convenient. Gone are the days of carrying around heavy textbooks or bulky folders filled with papers. With the click of a button, you can gain immediate access to valuable resources on any device. This convenience allows for efficient studying, researching, and reading on the go. Moreover, the cost-effective nature of downloading Golf 3 Tdi Wiring Diagram 1996 has democratized knowledge. Traditional books and academic journals can be expensive, making it difficult for individuals with limited financial resources to access information. By offering free PDF downloads, publishers and authors are enabling a wider audience to benefit from their work. This inclusivity promotes equal opportunities for learning and personal growth. There are numerous websites and platforms where individuals can download Golf 3 Tdi Wiring Diagram 1996. These websites range from academic databases offering research papers and journals to online libraries with an expansive collection of books from various genres. Many authors and publishers also upload their work to specific websites, granting readers access to their content without any charge. These platforms not only provide access to existing literature but also serve as an excellent platform for undiscovered authors to share their work with the world. However, it is essential to be cautious while downloading Golf 3 Tdi Wiring Diagram 1996. Some websites may offer pirated or illegally obtained copies of copyrighted material. Engaging in such activities not only violates copyright laws but also undermines the efforts of authors, publishers, and researchers. To ensure ethical downloading, it is advisable to utilize reputable websites that prioritize the legal distribution of content. When downloading Golf 3 Tdi Wiring Diagram 1996, users should also consider the potential security risks associated with online platforms. Malicious actors may exploit vulnerabilities in unprotected websites to distribute malware or steal personal information. To protect themselves, individuals should ensure their devices have reliable antivirus software installed and validate the legitimacy of the websites they are downloading from. In conclusion, the ability to download Golf 3 Tdi Wiring Diagram 1996 has transformed the way we access information. With the convenience, cost-effectiveness, and accessibility it offers, free PDF downloads have become a popular choice for students, researchers, and book lovers worldwide. However, it is crucial to engage in ethical downloading practices and prioritize personal security when utilizing online platforms. By doing so, individuals can make the most of the vast array of free PDF resources available and embark on a journey of continuous learning and intellectual growth.

FAQs About Golf 3 Tdi Wiring Diagram 1996 Books

1. Where can I buy Golf 3 Tdi Wiring Diagram 1996 books? Bookstores: Physical bookstores like Barnes & Noble, Waterstones, and independent local stores. Online Retailers: Amazon, Book Depository, and various online bookstores offer a wide range of books in physical and digital formats.
2. What are the different book formats available? Hardcover: Sturdy and durable, usually more expensive. Paperback: Cheaper, lighter, and more portable than hardcovers. E-books: Digital books available for e-readers like Kindle or software like Apple Books, Kindle, and Google Play Books.
3. How do I choose a Golf 3 Tdi Wiring Diagram 1996 book to read? Genres: Consider the genre you enjoy (fiction, non-fiction, mystery, sci-fi, etc.). Recommendations: Ask friends, join book clubs, or explore online reviews and recommendations. Author: If you like a particular author, you might enjoy more of their work.
4. How do I take care of Golf 3 Tdi Wiring Diagram 1996 books? Storage: Keep them away from direct sunlight and in a dry environment. Handling: Avoid folding pages, use bookmarks, and handle them with clean hands. Cleaning: Gently dust the covers and pages occasionally.
5. Can I borrow books without buying them? Public Libraries: Local libraries offer a wide range of books for borrowing. Book Swaps: Community book exchanges or online platforms where people exchange books.
6. How can I track my reading progress or manage my book collection? Book Tracking Apps: Goodreads, LibraryThing, and Book Catalogue are popular apps for tracking your reading progress and managing book collections. Spreadsheets: You can create your own spreadsheet to track books read, ratings, and other details.
7. What are Golf 3 Tdi Wiring Diagram 1996 audiobooks, and where can I find them? Audiobooks: Audio recordings of books, perfect for listening while commuting or multitasking. Platforms: Audible, LibriVox, and Google Play Books offer a wide selection of audiobooks.
8. How do I support authors or the book industry? Buy Books: Purchase books from authors or independent bookstores. Reviews: Leave reviews on platforms like Goodreads or Amazon. Promotion: Share your favorite books on social media or recommend them to friends.
9. Are there book clubs or reading communities I can join? Local Clubs: Check for local book clubs in libraries or community centers. Online Communities: Platforms like Goodreads have virtual book clubs and discussion groups.
10. Can I read Golf 3 Tdi Wiring Diagram 1996 books for free? Public Domain Books: Many classic books are available for free as they're in the public domain. Free E-books: Some websites offer free e-books legally, like Project Gutenberg or Open Library.

Find Golf 3 Tdi Wiring Diagram 1996 :

[imperial lady](#)

[implementing operations research/management science](#)

[implementing the ieee software engineering standards](#)

[imagination in theory](#)

[immigration and the family research and policy on u.s. immigrants](#)

[improve your english 3](#)

[imperial japanes tanks 1918-1945](#)

improper advances

immaterial ghost stories

[immobilized enzymes preparation and engineering - recent advances.](#)

implementing your strategic plan how to turn intent into effective action for sustainable change

[imperialism and the british labour movement 19141964](#)

[impact the history of germanys v-weapons in world war ii](#)

[impact of humanism on western europe](#)

[immunologic fundamentals](#)

Golf 3 Tdi Wiring Diagram 1996 :

persuasive speech outline with examples virtualspeech - Sep 21 2023

we ve made a list of persuasive speech topics you could use next time you re asked to give one the topics are thought provoking and things which many people have an opinion on when using any of our persuasive speech ideas make sure you have a solid knowledge about the topic you re speaking about and see more

[persuasive speech outline examples writing tips](#) - Sep 09 2022

aug 11 2021 link your speech to the audience and what interests them make sure that your thesis statement explains the purpose and cause of writing this persuasive speech in addition to suggesting a solution to the problem some prefer writing the introduction at the end it doesn t

[3 types of persuasive speeches complete guide](#) - Nov 11 2022

may 9 2023 a persuasive speech is a speech that convinces people of certain ideas values and beliefs as its specific purpose is proving a point it relies on one successful format you ll see it here in our persuasive speech outline examples prepared by

our experts

an impressive persuasive speech outline examples guide - Aug 08 2022

jun 22 2021 what s covered how to pick an awesome persuasive speech topic 112 engaging persuasive speech topics tips for preparing your persuasive speech writing a stellar persuasive speech requires a carefully crafted argument that will resonate with your

objectives outline and introduction principles of public speaking - Mar 03 2022

persuasive speech outline question of value a complete guide to public speaking nov 23 2020 as william hewlett co founder of the hewlett packard corporation said how can i trust someone to manage multi million dollar projects if he or she can t manage a half hour

public speaking flashcards quizlet - Jan 01 2022

how to write and structure a persuasive speech thoughtco - Oct 10 2022

aug 28 2023 in lesson seven of the interpersonal communications course you are to prepare a persuasive speech and choose a prompt between the two documents attached below and pick a topic within those two prompts below will be some advice so you can find some relevant

proposition of value fundamentals of public speaking - Jun 18 2023

feb 28 2022 here are some steps to follow 1 select a topic and angle come up with a controversial topic that will spark a heated debate regardless of your position this could be about anything choose a topic that you are passionate about select a particular angle to

unit 10 persuasive speaking oertx - Feb 14 2023

may 31 2020 in this module we ll focus on the key strategies for designing persuasive speeches in examining persuasive speaking we tackle both solid argument and eloquent writing after sorting through the broad concerns about persuasion we start with some of the

lesson 7 persuasive values speech resources public - Jul 07 2022

aug 7 2020 110 interesting persuasive speech topics now for the fun part we ve compiled a list of 110 persuasive speech topics broken down by category for you to choose from or use as inspiration use the set of three questions we shared above to determine which of these

types of persuasive speeches principles of public - Apr 16 2023

the following outline draft shows a student trying to structure a speech with a value proposition keep in mind it is abbreviated for illustrative purposes and thus incomplete as an example of what you would submit to your instructor who will

expect more detailed outlines for your

11 2 persuasive speaking communication in the real - Jan 13 2023

Jul 12 2019 the purpose of a persuasive speech is to convince your audience to agree with an idea or opinion that you present first you'll need to choose a side on a controversial topic then you will write a speech to explain your position and convince the audience to agree with you

112 persuasive speech topics that are actually engaging - May 05 2022

name date class time value persuasion presentation a introduction i attention getting material i'll open with an attentiongetting strategy ii thematic statement the theme of my speech is to change the minds of my listeners to my point of view on my topic iii

persuasive speeches types topics and - Jul 19 2023

there are three main approaches used to persuade others 1 ethos 2 pathos 3 logos the ethos approach appeals to the audience's ethics and morals such as what is the right see more

good persuasion responds to questions of fact policy and value - Dec 12 2022

Dec 16 2018 persuasive speech outline examples a good persuasive speech example that covers the proper format and structure is very helpful here are some amazing outline examples that you can refer to to see how others have done and ensure you are on the right track

value speech outline name date class time value persuasion - Feb 02 2022

110 interesting persuasive speech topics to impress your - Apr 04 2022

when you give a persuasive speech on a question of value you need to justify your value judgement in light of clearly defined standards specific purpose statement regarding value to persuade my audience that animal testing is actually beneficial to humanity and the

17 6 constructing a persuasive speech open okstate - May 17 2023

a proposition of value is one that asserts a speaker's sense of values or a writer's sense of right and wrong it discusses good and bad just and unjust the beautiful and the ugly value claims make judgments and readers need to evaluate the evidence and assumptions supporting

types of persuasive speeches boundless communications - Mar 15 2023

key points questions of fact contrast with questions of policy which state that something should be and questions of value which state that something is good bad beautiful or worthwhile three basic types of questions of fact are historical controversy questions of

persuasive speech preparation outline with examples - Aug 20 2023

as with any speech preparation is crucial before you put pen to paper think about what you want to achieve with your speech this will help organise your thoughts as you realistically can only cover 2 4 main points see more

[how to write a persuasive speech a step by step guide](#) - Jun 06 2022

chapter outline introduction what is persuasive speaking functions of persuasive speeches speeches to convince speeches to actuate types of persuasive speeches propositions of fact propositions of value propositions of policy choosing a persuasive *ebook persuasive speech outline question of value* - Nov 30 2021

[modern chemistry chapter 2 final review flashcards quizlet](#) - Feb 01 2023

web modern chemistry chapter 2 final review term 1 23 scientific method click the card to flip definition 1 23 a logical approach to solving problems by observing and collecting data formulating hypotheses testing hypotheses and formulating theories that are tested by data click the card to flip

[modern chemistry section 2 2 quiz pdf 2023 isip ovcrd upd edu](#) - Feb 18 2022

web basic chemistry mcq pdf book chapter 2 test to solve mcq questions basic chemistry atomic mass atoms molecules avogadro s law combustion analysis empirical formula isotopes mass spectrometer molar volume molecular ions moles positive and negative ions relative abundance

modern chemistry 9780547586632 exercise 2 quizlet - Dec 31 2022

web find step by step solutions and answers to exercise 2 from modern chemistry 9780547586632 as well as thousands of textbooks so you can move forward with confidence

[modern chemistry 2nd edition solutions and answers quizlet](#) - Jul 06 2023

web now with expert verified solutions from modern chemistry 2nd edition you ll learn how to solve your toughest homework problems our resource for modern chemistry includes answers to chapter exercises as well as detailed information to walk you through the process step by step

modern chemistry chapter 1 and 2 test flashcards quizlet - Mar 02 2023

web research carried out to solve a problem applied research production and use of products to improve daily life technological development vocabulary from chapter 1 of the holt mcdougal modern chemistry textbook learn with flashcards games and more for free

[chemistry quiz 2 review flashcards quizlet](#) - Sep 27 2022

web oct 21 2023 the process by which a substance changes directly from a gas state to a solid state without becoming a liquid first opposite of sublimation exothermic the process by which molecules mix as a result of their random motion all

substances that are formed in a chemical reaction including invisible gases

[holt modern chemistry section 10 2 quiz quiz quizizz](#) - Mar 22 2022

web preview this quiz on quizizz holt modern chemistry section 10 2 quiz draft 10th 12th grade 0 times chemistry 0 average accuracy 16 minutes ago mccon w 04 90772 0 save edit edit holt modern chemistry section 10 2 quiz draft 16 minutes ago by mccon w 04 90772

holt modern chemistry section 9 2 quiz quizizz - Apr 22 2022

web holt modern chemistry section 9 2 quiz quiz for 10th grade students find other quizzes for chemistry and more on quizizz for free

[modern chemistry 1st edition solutions and answers quizlet](#) - Sep 08 2023

web with expert solutions for thousands of practice problems you can take the guesswork out of studying and move forward with confidence find step by step solutions and answers to modern chemistry 9780547586632 as well as thousands of textbooks so you can move forward with confidence

chapter test a studylib net - Aug 07 2023

web modern chemistry 2 chapter test name class date chapter test a continued 7 the melting points of ionic compounds are higher than the melting points of molecular compounds because a ionic substances tend to vaporize at room temperature b ionic substances are brittle c attractive forces between ions are greater

[holt modern chemistry section 2 2 quiz quizizz](#) - May 04 2023

web holt modern chemistry section 2 2 quiz quiz for 9th grade students find other quizzes for chemistry and more on quizizz for free

modern chemistry 1st edition solutions and answers quizlet - Jun 05 2023

web textbook solutions verified chapter 1 matter and change section 1 chemistry is a physical science section 2 matter and its properties section 3 elements page 22 chapter review exercise 1 exercise 2 exercise 3 exercise 4 chapter 2 measurements and calculations section 1 scientific method section 2 units of measurement section 3

holt modern chemistry section 2 1 quiz quiz quizizz - Nov 29 2022

web preview this quiz on quizizz holt modern chemistry section 2 1 quiz draft 10th 12th grade 0 times chemistry 0 average accuracy 12 minutes ago mccon w 04 90772 0 save edit edit holt modern chemistry section 2 1 quiz draft 12 minutes ago by mccon w 04 90772

[chapter 1 quizzes studylib net](#) - Aug 27 2022

web holt mcdougal modern chemistry 1 quiz name class date section quiz continued 6 two chemistry students are investigating the properties of quartz crystals they are most likely studying in the field of a biochemistry

[mc06se cfmsr i vi weebly](#) - Oct 29 2022

web chapter 1 review matter and change mixed review short answer answer the following questions in the space provided 1 classify each of the following as a homogeneous or heterogeneous substance a sugar d plastic wrap b iron filings e cement sidewalk c granola bar 2 for each type of investigation select the most appropriate

[modern chemistry chapter 2 test flashcards quizlet](#) - Apr 03 2023

web sep 19 2023 study with quizlet and memorize flashcards containing terms like the four major stages of the scientific method are by making several measurements with the same balance a chemist obtained values of 5 224 g 5 235 g and 5 259 g

holt modern chemistry section 11 2 quiz quizizz - Jul 26 2022

web holt modern chemistry section 11 2 quiz will mcconnell 45 plays 10 questions copy edit live session assign show answers see preview multiple choice 5 minutes 1 pt a b c d multiple choice 5 minutes 1 pt a b c d multiple choice 5 minutes 1 pt a b c d explore all questions with a free account continue with google continue with email

[modern chemistry section 2 2 quiz flashcards quizlet](#) - Oct 09 2023

web modern chemistry section 2 2 quiz 5 0 1 review the unit m³ is used to express click the card to flip volume click the card to flip 1 10 flashcards learn test match q chat created by mason minzey terms in this set 10 the unit m³ is used to express volume si base units for length and mass are meter and kilogram

modern chemistry section 2 2 quiz programma syriza - May 24 2022

web modern chemistry section 2 2 quiz a catalogue of modern works on science and technology 2nd 4th 5th 7th 8th 10th 14th 16th 19th 22nd 25th 35th 39th ed chemistry principles and reactions first step in chemical principles satya prakash s modern inorganic chemistry handbook of condensation thermoplastic elastomers

[modern chemistry section 2 2 quiz 2023 publicaties nwp](#) - Jun 24 2022

web modern chemistry section 2 2 quiz 2 downloaded from publicaties nwp nl on 2020 06 27 by guest mcqs book online pdf download includes revision guide for problem solving with hundreds of solved mcqs class 11 12 chemistry mcq with answers pdf book covers basic concepts analytical and practical assessment tests class 11 12

buy modern love 5 the flap pamphlet series book online at - Dec 27 2022

web amazon in buy modern love 5 the flap pamphlet series book online at best prices in india on amazon in read modern love 5 the flap pamphlet series book reviews author details and more at amazon in free delivery on qualified orders

[9781905233373 modern love the flap pamphlet series](#) - Mar 30 2023

web modern love the flap pamphlet series 5 by max wallis and a great selection of related books art and collectibles available now at abebooks co uk

modern love flap series by max wallis goodreads - Aug 03 2023

web apr 5 2012 in his début pamphlet max wallis traces the year long course of a love affair and all its constituent parts sex and sensuality longing and loneliness desire and disappointment heady beginnings and inevitable endings in a world dominated by high street brands text messaging and social media

modern love the flap pamphlet series by max wallis - Sep 23 2022

web click to read more about modern love the flap pamphlet series by max wallis librarything is a cataloging and social networking site for booklovers all about modern love the flap pamphlet series by max wallis

modern love by wallis max abebooks - Jul 02 2023

web modern love the flap pamphlet series 5 by max wallis and a great selection of related books art and collectibles available now at abebooks com

modern love 5 the flap pamphlet series zvab - Oct 25 2022

web modern love 5 the flap pamphlet series von wallis max beim zvab com isbn 10 190523337x isbn 13 9781905233373 flipped eye publishing limited 2011 softcover

modern love flap pamphlet amazon com - Nov 25 2022

web jul 1 2011 in his début pamphlet max wallis traces the year long course of a love affair and all its constituent parts sex and sensuality longing and loneliness desire and disappointment heady beginnings and inevitable endings in a world dominated by high street brands text messaging and social media

amazon co uk customer reviews modern love the flap pamphlet series - Feb 26 2023

web find helpful customer reviews and review ratings for modern love the flap pamphlet series written by max wallis 2011 edition 1st publisher flipped eye publishing limited paperback at amazon com read honest and unbiased product reviews from our users

modern love the flap pamphlet series pdf - Sep 04 2023

web modern love the flap pamphlet series paper doll oct 19 2021 first rain jun 07 2023 written originally in me phaa first rain is a selection of poems that emerged from the poet responding to the death of his grandmother who declared to him in 2005 i will die in the days when the first rains come

modern love tv series wikipedia - Jun 20 2022

web modern love is an american romantic comedy anthology streaming television series developed by john carney based on the weekly column of the same name published by the new york times that premiered on amazon prime video on october 18 2019

modern love the flap pamphlet series by max wallis - May 20 2022

web n07980lot000202957320007000ru wired love a romance of dots and dashes huffpost modern love the flap pamphlet series co uk max 7 things you should know about dating in america huffpost percy jackson amp the olympians the ultimate guide by rick honorificabilitudinitatibus plexidor door series the project gutenber ebook of the

modern love the flap pamphlet series 5 paperback - Oct 05 2023

web jul 1 2011 buy modern love the flap pamphlet series 5 first edition by max wallis isbn 9781905233373 from amazon s book store everyday low prices and free delivery on eligible orders

modern love the flap pamphlet series disha experts - Apr 18 2022

web we allow you this proper as competently as easy quirk to get those all we find the money for modern love the flap pamphlet series and numerous book collections from fictions to scientific research in any way in the course of them is this modern love the flap pamphlet series that can be your partner good night god ginger swift 2018

modern love tv series 2019 2021 imdb - Mar 18 2022

web modern love with julia garner sofia boutella anne hathaway olivia cooke tv series based on the new york times column that explores relationships love and the human connection

modern love the flap pamphlet series 5 softcover abebooks - Jan 28 2023

web modern love the flap pamphlet series 5 by max wallis at abebooks co uk isbn 10 190523337x isbn 13 9781905233373 flipped eye publishing limited 2011 softcover

modern love the flap pamphlet series written by max wallis - Jun 01 2023

web jul 16 2011 buy modern love the flap pamphlet series written by max wallis 2011 edition 1st publisher flipped eye publishing limited paperback by max wallis isbn 8601416540085 from amazon s book store everyday low

modern love the flap pamphlet series pdf store spiralny - Jul 22 2022

web from colors and animals to first words and holidays the babies love chunky lift a flap series is a great introduction to reading with cheerful contemporary and whimsical illustrations and sturdy easy to lift flaps

modern love the flap pamphlet series by max wallis 2011 07 - Apr 30 2023

web buy modern love the flap pamphlet series by max wallis 2011 07 01 by isbn from amazon s book store everyday low prices and free delivery on eligible orders

modern love the flap pamphlet series download only - Aug 23 2022

web modern love the flap pamphlet series lift the flap questions and answers about dinosaurs jun 26 2021 a colorful guide with over 60 flaps to lift to discover answers to questions young children might ask about dinosaurs provides simple and friendly answers to questions such as why do dinosaurs have tricky

modern love a titles air dates guide epguides com - Feb 14 2022

web aug 26 2023 a guide listing the titles and air dates for episodes of the tv series modern love for us airdates of a foreign show modern love a titles air dates guide last updated sat 26 aug 2023 1 00 anthology based on the new york times column and weekly podcast exploring relationships love and the human connection show details