

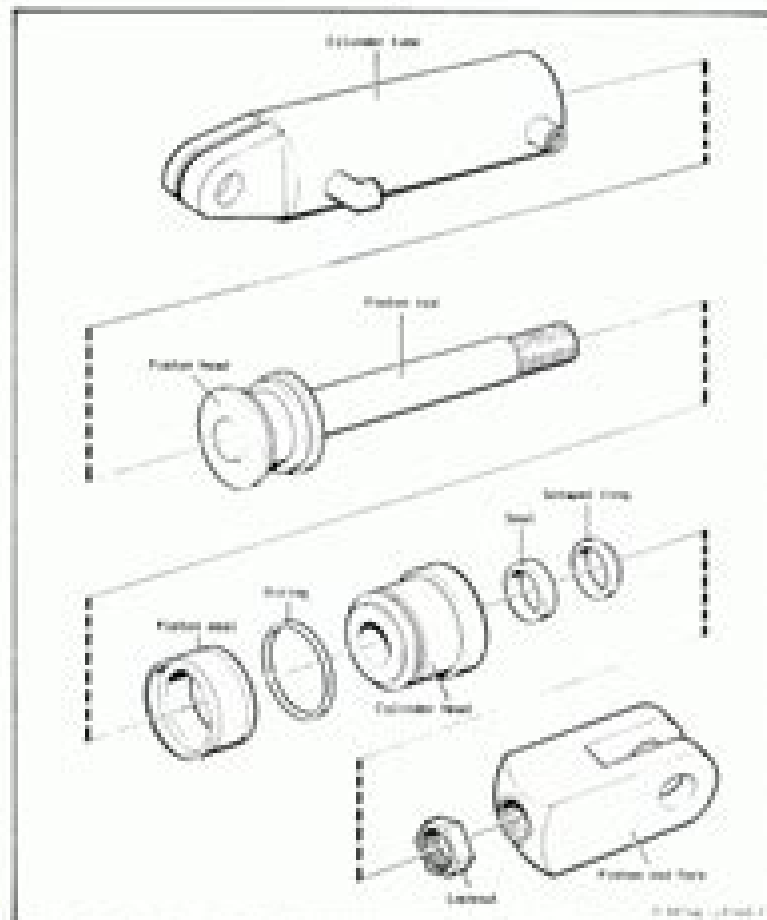
## 8-18

Technical Handbook

## Service

### Filling cylinder

1. The cylinder end of the filling cylinder is wrapped with the mounting tape, the piston rod fork is threaded into the piston rod and is locked by means of a nut.
2. The cylinder head is threaded into the cylinder body, and a T-shaped seal is used for fitting and securing it.



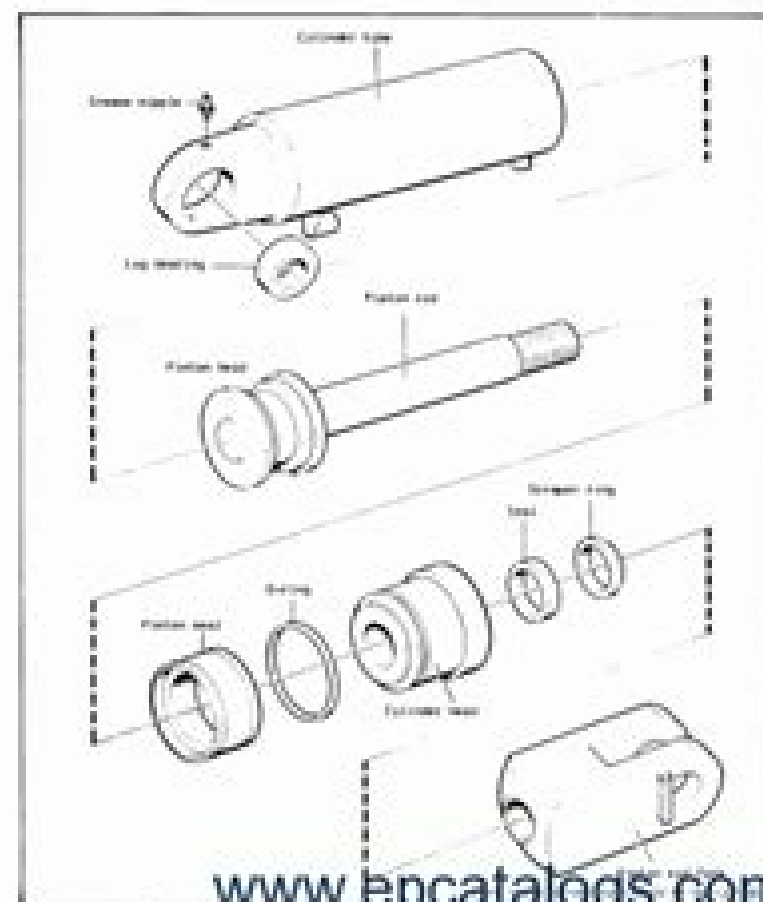
## 8-18

Technical Handbook

## Service

### Fast part fitting and assembling cylinder

1. The fast part fitting and assembling cylinder is provided with a log bearing at the cylinder end, the piston rod fork is threaded into the piston rod.
2. The cylinder head is threaded into the cylinder body, and the T-shaped seal is used for fitting and securing it.



# Kalmar Parts Manual 4x2

**JR Anderson**



## **Kalmar Parts Manual 4x2:**

**Chilton's 1986 Labor Guide and Parts Manual** Chilton Book Company,1985-12-01 Lists parts numbers and their prices for American automobiles includes specifications for each vehicle and provides time estimates for tune ups and repairs  
*Master Replacement Parts Service Manual* Auto Parts Company,1922     Master Parts Manual Tecumseh Products Company. Engine and Gear Service Division,1982     *Chilton's Motor/age Labor Guide and Parts Manual, 1974* Chilton Book Company,1973     **Chilton's Motor/age Labor Guide and Parts Manual ,**     **Chilton's Motor/age Professional Labor Guide and Parts Manual ,**     Chilton's Labor Guide and Parts Manual ,1974     **Chilton's Labor Guide and Parts Manual** Chilton Book Company,1974     Chilton's Labor Guide and Parts Manual Chilton Book Company,1974     Chilton's 1990 Labor and Parts Manual Chilton Book Company,1988     **Chilton's Labor Guide and Parts Manual, 1987-1991** Chilton Automotive Books,1990     Motor's Flat Rate and Parts Manual. 41st Edition L. C. Forier (ed),1969     **Chilton's Motor/age Labor Guide and Parts Manual, 1972** Chilton Book Company,1972     *Chilton's Flat Rate and Parts Manual ,1962*     **Chilton's 1997 Labor Guide and Parts Manual ,1996**     Motor's Flat Rate and Parts Manual Motor (New York, N.Y.),1968     *Motor's Flat Rate and Parts Manual* Harold Frederick Blanchard,1954     Chilton's Parts and Labor Guide Nineteen Eighty-Four to Nineteen Eighty-Eight, Domestic Cars ,1987-12-01 Lists time estimates for making a variety of repairs on American made automobiles as well as parts numbers and their prices     *Chilton's 1987 Labor Guide and Parts Manual ,1986*     Chilton's Labor Guide and Parts Manual John H. Weise,Paul A. Murphy,John D. Kelly,Chilton Book Company,1972

Right here, we have countless books **Kalmar Parts Manual 4x2** and collections to check out. We additionally present variant types and then type of the books to browse. The adequate book, fiction, history, novel, scientific research, as with ease as various additional sorts of books are readily user-friendly here.

As this Kalmar Parts Manual 4x2, it ends happening instinctive one of the favored books Kalmar Parts Manual 4x2 collections that we have. This is why you remain in the best website to look the incredible books to have.

[https://staging.conocer.cide.edu/About/book-search/Documents/gas\\_mileage\\_manual\\_vs\\_automatic.pdf](https://staging.conocer.cide.edu/About/book-search/Documents/gas_mileage_manual_vs_automatic.pdf)

## **Table of Contents Kalmar Parts Manual 4x2**

1. Understanding the eBook Kalmar Parts Manual 4x2
  - The Rise of Digital Reading Kalmar Parts Manual 4x2
  - Advantages of eBooks Over Traditional Books
2. Identifying Kalmar Parts Manual 4x2
  - Exploring Different Genres
  - Considering Fiction vs. Non-Fiction
  - Determining Your Reading Goals
3. Choosing the Right eBook Platform
  - Popular eBook Platforms
  - Features to Look for in an Kalmar Parts Manual 4x2
  - User-Friendly Interface
4. Exploring eBook Recommendations from Kalmar Parts Manual 4x2
  - Personalized Recommendations
  - Kalmar Parts Manual 4x2 User Reviews and Ratings
  - Kalmar Parts Manual 4x2 and Bestseller Lists
5. Accessing Kalmar Parts Manual 4x2 Free and Paid eBooks
  - Kalmar Parts Manual 4x2 Public Domain eBooks

- Kalmar Parts Manual 4x2 eBook Subscription Services
- Kalmar Parts Manual 4x2 Budget-Friendly Options
- 6. Navigating Kalmar Parts Manual 4x2 eBook Formats
  - ePub, PDF, MOBI, and More
  - Kalmar Parts Manual 4x2 Compatibility with Devices
  - Kalmar Parts Manual 4x2 Enhanced eBook Features
- 7. Enhancing Your Reading Experience
  - Adjustable Fonts and Text Sizes of Kalmar Parts Manual 4x2
  - Highlighting and Note-Taking Kalmar Parts Manual 4x2
  - Interactive Elements Kalmar Parts Manual 4x2
- 8. Staying Engaged with Kalmar Parts Manual 4x2
  - Joining Online Reading Communities
  - Participating in Virtual Book Clubs
  - Following Authors and Publishers Kalmar Parts Manual 4x2
- 9. Balancing eBooks and Physical Books Kalmar Parts Manual 4x2
  - Benefits of a Digital Library
  - Creating a Diverse Reading Collection Kalmar Parts Manual 4x2
- 10. Overcoming Reading Challenges
  - Dealing with Digital Eye Strain
  - Minimizing Distractions
  - Managing Screen Time
- 11. Cultivating a Reading Routine Kalmar Parts Manual 4x2
  - Setting Reading Goals Kalmar Parts Manual 4x2
  - Carving Out Dedicated Reading Time
- 12. Sourcing Reliable Information of Kalmar Parts Manual 4x2
  - Fact-Checking eBook Content of Kalmar Parts Manual 4x2
  - Distinguishing Credible Sources
- 13. Promoting Lifelong Learning
  - Utilizing eBooks for Skill Development
  - Exploring Educational eBooks

## 14. Embracing eBook Trends

- Integration of Multimedia Elements
- Interactive and Gamified eBooks

### **Kalmar Parts Manual 4x2 Introduction**

In this digital age, the convenience of accessing information at our fingertips has become a necessity. Whether its research papers, eBooks, or user manuals, PDF files have become the preferred format for sharing and reading documents. However, the cost associated with purchasing PDF files can sometimes be a barrier for many individuals and organizations. Thankfully, there are numerous websites and platforms that allow users to download free PDF files legally. In this article, we will explore some of the best platforms to download free PDFs. One of the most popular platforms to download free PDF files is Project Gutenberg. This online library offers over 60,000 free eBooks that are in the public domain. From classic literature to historical documents, Project Gutenberg provides a wide range of PDF files that can be downloaded and enjoyed on various devices. The website is user-friendly and allows users to search for specific titles or browse through different categories. Another reliable platform for downloading Kalmar Parts Manual 4x2 free PDF files is Open Library. With its vast collection of over 1 million eBooks, Open Library has something for every reader. The website offers a seamless experience by providing options to borrow or download PDF files. Users simply need to create a free account to access this treasure trove of knowledge. Open Library also allows users to contribute by uploading and sharing their own PDF files, making it a collaborative platform for book enthusiasts. For those interested in academic resources, there are websites dedicated to providing free PDFs of research papers and scientific articles. One such website is Academia.edu, which allows researchers and scholars to share their work with a global audience. Users can download PDF files of research papers, theses, and dissertations covering a wide range of subjects. Academia.edu also provides a platform for discussions and networking within the academic community. When it comes to downloading Kalmar Parts Manual 4x2 free PDF files of magazines, brochures, and catalogs, Issuu is a popular choice. This digital publishing platform hosts a vast collection of publications from around the world. Users can search for specific titles or explore various categories and genres. Issuu offers a seamless reading experience with its user-friendly interface and allows users to download PDF files for offline reading. Apart from dedicated platforms, search engines also play a crucial role in finding free PDF files. Google, for instance, has an advanced search feature that allows users to filter results by file type. By specifying the file type as "PDF," users can find websites that offer free PDF downloads on a specific topic. While downloading Kalmar Parts Manual 4x2 free PDF files is convenient, its important to note that copyright laws must be respected. Always ensure that the PDF files you download are legally available for free. Many authors and publishers voluntarily provide free PDF versions of their work, but its essential to be cautious and

verify the authenticity of the source before downloading Kalmar Parts Manual 4x2. In conclusion, the internet offers numerous platforms and websites that allow users to download free PDF files legally. Whether its classic literature, research papers, or magazines, there is something for everyone. The platforms mentioned in this article, such as Project Gutenberg, Open Library, Academia.edu, and Issuu, provide access to a vast collection of PDF files. However, users should always be cautious and verify the legality of the source before downloading Kalmar Parts Manual 4x2 any PDF files. With these platforms, the world of PDF downloads is just a click away.

### **FAQs About Kalmar Parts Manual 4x2 Books**

How do I know which eBook platform is the best for me? Finding the best eBook platform depends on your reading preferences and device compatibility. Research different platforms, read user reviews, and explore their features before making a choice. Are free eBooks of good quality? Yes, many reputable platforms offer high-quality free eBooks, including classics and public domain works. However, make sure to verify the source to ensure the eBook credibility. Can I read eBooks without an eReader? Absolutely! Most eBook platforms offer webbased readers or mobile apps that allow you to read eBooks on your computer, tablet, or smartphone. How do I avoid digital eye strain while reading eBooks? To prevent digital eye strain, take regular breaks, adjust the font size and background color, and ensure proper lighting while reading eBooks. What the advantage of interactive eBooks? Interactive eBooks incorporate multimedia elements, quizzes, and activities, enhancing the reader engagement and providing a more immersive learning experience. Kalmar Parts Manual 4x2 is one of the best book in our library for free trial. We provide copy of Kalmar Parts Manual 4x2 in digital format, so the resources that you find are reliable. There are also many Ebooks of related with Kalmar Parts Manual 4x2. Where to download Kalmar Parts Manual 4x2 online for free? Are you looking for Kalmar Parts Manual 4x2 PDF? This is definitely going to save you time and cash in something you should think about. If you trying to find then search around for online. Without a doubt there are numerous these available and many of them have the freedom. However without doubt you receive whatever you purchase. An alternate way to get ideas is always to check another Kalmar Parts Manual 4x2. This method for see exactly what may be included and adopt these ideas to your book. This site will almost certainly help you save time and effort, money and stress. If you are looking for free books then you really should consider finding to assist you try this. Several of Kalmar Parts Manual 4x2 are for sale to free while some are payable. If you arent sure if the books you would like to download works with for usage along with your computer, it is possible to download free trials. The free guides make it easy for someone to free access online library for download books to your device. You can get free download on free trial for lots of books categories. Our library is the biggest of these that have literally hundreds of thousands of different products categories represented. You

will also see that there are specific sites catered to different product types or categories, brands or niches related with Kalmar Parts Manual 4x2. So depending on what exactly you are searching, you will be able to choose e books to suit your own need. Need to access completely for Campbell Biology Seventh Edition book? Access Ebook without any digging. And by having access to our ebook online or by storing it on your computer, you have convenient answers with Kalmar Parts Manual 4x2 To get started finding Kalmar Parts Manual 4x2, you are right to find our website which has a comprehensive collection of books online. Our library is the biggest of these that have literally hundreds of thousands of different products represented. You will also see that there are specific sites catered to different categories or niches related with Kalmar Parts Manual 4x2 So depending on what exactly you are searching, you will be able to choose ebook to suit your own need. Thank you for reading Kalmar Parts Manual 4x2. Maybe you have knowledge that, people have search numerous times for their favorite readings like this Kalmar Parts Manual 4x2, but end up in harmful downloads. Rather than reading a good book with a cup of coffee in the afternoon, instead they juggled with some harmful bugs inside their laptop. Kalmar Parts Manual 4x2 is available in our book collection an online access to it is set as public so you can download it instantly. Our digital library spans in multiple locations, allowing you to get the most less latency time to download any of our books like this one. Merely said, Kalmar Parts Manual 4x2 is universally compatible with any devices to read.

**Find Kalmar Parts Manual 4x2 :**

[gas mileage manual vs automatic](#)

[gardner bender multimeter manual](#)

[garmin forerunner 10 user manual](#)

[garfield et cie tome star fatale](#)

[gases and moles practice answer key](#)

**gateway q5wtc manual**

**garage sale diamonds garage sale mysteries book 2**

*gap test study guide*

[garmin nuvi 855 na manual](#)

*gate exam questions with answers for ece*

[garmin etrex h gps manual](#)

[gasm method guide to](#)

**gary dessler 13 edition**

**gate life science question paper**



gary dessler 1edition

### **Kalmar Parts Manual 4x2 :**

Alkinoos, Didaskalikos: Lehrbuch der Grundsätze Platons. ... Alkinoos, Didaskalikos: Lehrbuch der Grundsätze Platons. Einleitung, Text, Übersetzung und Anmerkungen (Sammlung wissenschaftlicher Commentare (SWC)). Alkinoos, Didaskalikos. Lehrbuch der Grundsätze Platons ... Summerell, Thomas Zimmer, Alkinoos, Didaskalikos : Lehrbuch der Grundsätze Platons : Einleitung, Text, Übersetzung und Anmerkungen. Sammlung ... Alkinoos, Didaskalikos Alkinoos, Didaskalikos. Lehrbuch der Grundsätze Platons. Einleitung, Text, Übersetzung und Anmerkungen. Albinus <Platonicus>. Albinus. Diesen Autor / diese ... Alkinoos, Didaskalikos: Lehrbuch der Grundsätze Platons. ... Alkinoos, Didaskalikos: Lehrbuch der Grundsätze Platons. Einleitung, Text, Übersetzung und Anmerkungen (Sammlung wissenschaftlicher Commentare (SWC)). ALKINOOS' LEHRBUCH DER GRUNDSÄTZE PLATONS ALKINOOS' LEHRBUCH DER GRUNDSÄTZE PLATONS was published in Alkinoos, Didaskalikos on page 1 ... ANMERKUNGEN · Subjects · Architecture and Design · Arts · Asian ... Alkinoos, Didaskalikos: Lehrbuch der Grundsätze Platons. ... Der vorliegenden Edition und Erstübersetzung ins Deutsche werden eine Einleitung sowie eine Bibliographie vorangestellt. Die Anmerkungen zum Text erläutern ... Alkinoos, Didaskalikos: Lehrbuch Der Grundsätze Platons. ... Alkinoos, Didaskalikos: Lehrbuch Der Grundsätze Platons. Einleitung, Text, Uebersetzung Und Anmerkungen ; Product Details. Price. £115.00. Publisher. de Gruyter. Albinus & Orrin F. Summerell, Alkinoos, Didaskalikos: Lehrbuch ... Introduction, Text, Translation and Commentary: Einleitung, Text, Übersetzung Und Kommentar. Walter de Gruyter. Grundsätze der Philosophie der Zukunft Kritische ... Alkinoos, Didaskalikos: Lehrbuch der Grundsätze Platons Alkinoos, Didaskalikos: Lehrbuch der Grundsätze Platons: Einleitung, Text, Uebersetzung Und Anmerkungen. Author / Uploaded; Orrin F. Summerell. Table of ... alkinoos didaskalikos lehrbuch der grundsätze platons ... Jul 15, 2023 — Right here, we have countless books alkinoos didaskalikos lehrbuch der grundsätze platons einleitung text uebersetzung und anmerkungen and ... Certified Information Privacy Professional (CIPP) Study ... Over 95% of our readers have passed the exam on their first try! Pass the Certification Foundation exam with ease with this comprehensive study guide. Pass the IAPP's Certification Foundation Exam with Ease! ... Certified Information Privacy Professional Study Guide: Pass the IAPP's Certification Foundation Exam with Ease ... Pass the IAPP's Certification Foundation. Pass the IAPP's Certification Foundation Exam with Ease! Certified Information Privacy Professional Study Guide: Pass the IAPP's Certification Foundation Exam with Ease! By: Watts, John. Price: \$25.99. Quantity: 1 ... Certified Information Privacy... book by John Watts The definitive study guide for the Certification Foundation examination administered by the International Association of Privacy Professionals ("IAPP") This ... Pass the IAPP's Certification Foundation Exam with Ease! The definitive study guide for the Certification Foundation examination administered by the International Association of Privacy Professionals ("IAPP")

2015 ... Certified Information Privacy Professional Study Guide Title: Certified Information Privacy Professional Study Guide: Pass The Iapp's Certification Foundation Exam With Ease! Author: Watts, John (Author). Certified Information Privacy Professional Study Guide ... The definitive study guide for the Certification Foundation examination administered by the International Association of Privacy Professionals ("IAPP") ... IAPP CIPP / US Certified Information Privacy Professional ... Prepare for success on the IAPP CIPP/US exam and further your career in privacy with this effective study guide - now includes a downloadable supplement to ... Free Study Guides The first and only privacy certification for professionals ... The IAPP is the largest and most comprehensive global information privacy community and resource. Pass the IAPP's Certification Foundation Exam with Ease! ... This exclusive guide covers all the privacy principles tested on the exam in crystal clear detail; In addition, the guide provides over 150 sample questions ... Introduction to Advanced Mathematics - Amazon Book details · ISBN-10. 0130167509 · ISBN-13. 978-0130167507 · Edition. 2nd · Publisher. Pearson · Publication date. December 17, 1999 · Language. English · Dimensions. Introduction to Advanced Mathematics 2nd edition ... Authors: William J Barnier, William Barnier, Norman Feldman ; Full Title: Introduction to Advanced Mathematics: INTRO ADVANCE MATHS\_C2 ; Edition: 2nd edition. Introduction to Advanced Mathematics book by Norman ... Buy a cheap copy of Introduction to Advanced Mathematics book by Norman Feldman. An exploration of the analytical tools of advanced math. Introduction to Advanced Mathematics (2nd edition) Buy Introduction to Advanced Mathematics 2nd edition by William Barnier, Norman Feldman (ISBN: 9780130167507) online at Alibris. Introduction to Advanced Mathematics by Barnier, William; ... Introduction to Advanced Mathematics by Feldman, Norman, Barnier, William and a great selection of related books, art and collectibles available now at ... Introduction to Advanced Mathematics 2nd Edition Barnier, William J. is the author of 'Introduction to Advanced Mathematics', published 1999 under ISBN 9780130167507 and ISBN 0130167509. [read more] ... Introduction to Advanced Mathematics by William Barnier; ... Introduction to Advanced Mathematics Paperback - 1999 - 2nd Edition ; Title Introduction to Advanced Mathematics ; Author William Barnier; Norman Feldman ; Binding ... Introduction to Advanced Mathematics Book details. ISBN-13: 9780130167507. ISBN-10: 0130167509. Edition: 2. Author: Barnier, William, Feldman, Norman. Publication date: 1999. Publisher: Pearson. Introduction to Advanced Mathematics: by Norman ... Sep 23, 2023 — Introduction to Advanced Mathematics: (2nd Edition). by Norman Feldman, William J. Barnier, Morton M. Scott. Paperback, 300 Pages, Published ... Introduction To Advanced Mathematics ... Introduction to Advanced Mathematics (William Barnier and Norman Feldman) - Free ebook download as PDF File (.pdf) or read book online for free. matematika.