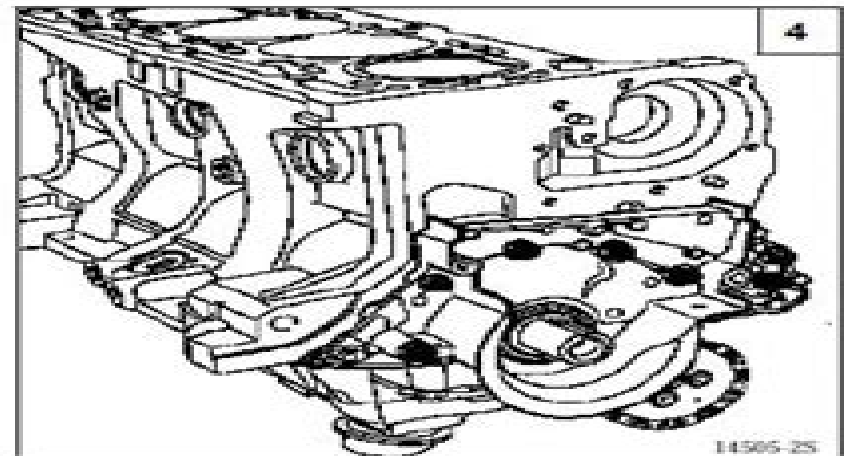
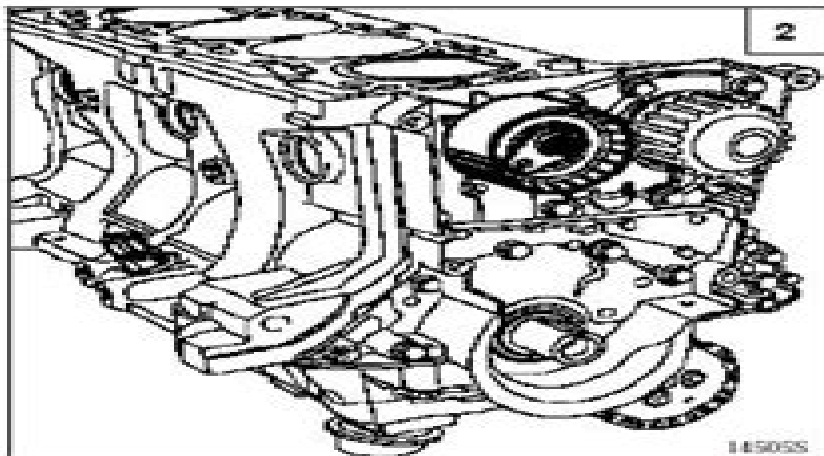
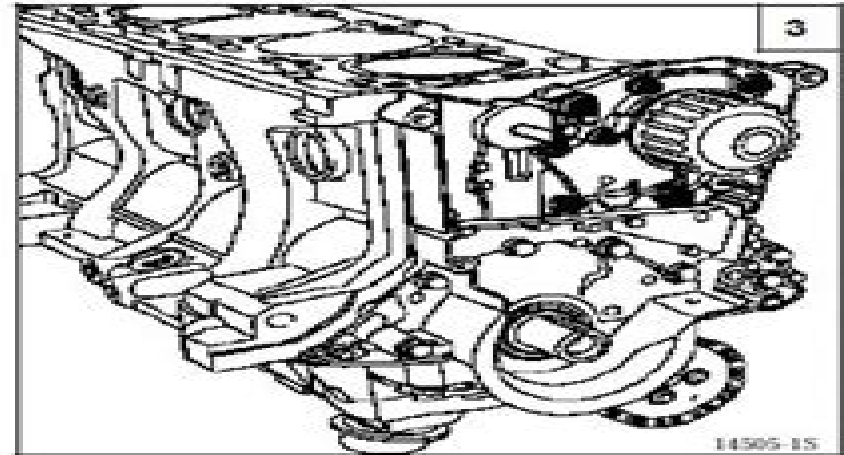
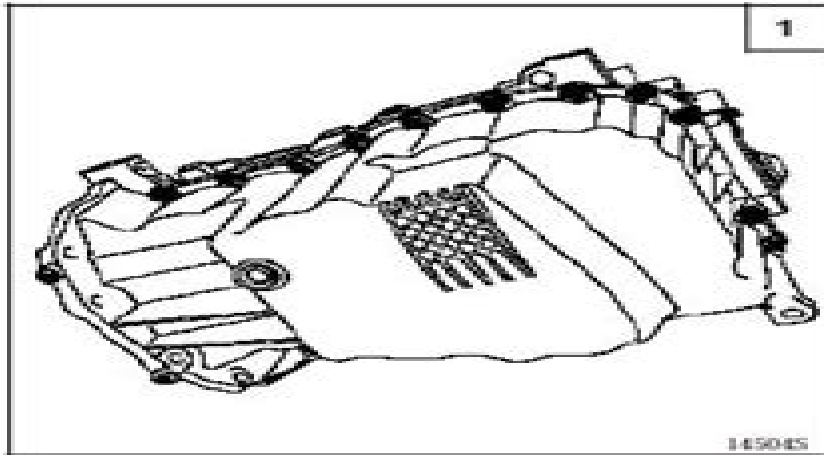


Remove the various components in diagrams 1 to 8.



# K4m Repair Manual

**Jicheng Xie**



## **K4m Repair Manual:**

## Unveiling the Energy of Verbal Beauty: An Psychological Sojourn through **K4m Repair Manual**

In a global inundated with displays and the cacophony of quick interaction, the profound power and emotional resonance of verbal art frequently fade in to obscurity, eclipsed by the regular barrage of noise and distractions. Yet, set within the musical pages of **K4m Repair Manual**, a interesting work of fictional splendor that impulses with fresh feelings, lies an unforgettable trip waiting to be embarked upon. Published by way of a virtuoso wordsmith, this magical opus manuals readers on a mental odyssey, delicately revealing the latent potential and profound influence stuck within the complex internet of language. Within the heart-wrenching expanse of this evocative analysis, we shall embark upon an introspective exploration of the book is key styles, dissect its interesting publishing design, and immerse ourselves in the indelible effect it leaves upon the depths of readers souls.

<https://staging.conocer.cide.edu/results/virtual-library/HomePages/Little%20Warranty%20People.pdf>

### **Table of Contents K4m Repair Manual**

1. Understanding the eBook K4m Repair Manual
  - The Rise of Digital Reading K4m Repair Manual
  - Advantages of eBooks Over Traditional Books
2. Identifying K4m Repair Manual
  - Exploring Different Genres
  - Considering Fiction vs. Non-Fiction
  - Determining Your Reading Goals
3. Choosing the Right eBook Platform
  - Popular eBook Platforms
  - Features to Look for in an K4m Repair Manual
  - User-Friendly Interface
4. Exploring eBook Recommendations from K4m Repair Manual
  - Personalized Recommendations

- K4m Repair Manual User Reviews and Ratings
- K4m Repair Manual and Bestseller Lists
- 5. Accessing K4m Repair Manual Free and Paid eBooks
  - K4m Repair Manual Public Domain eBooks
  - K4m Repair Manual eBook Subscription Services
  - K4m Repair Manual Budget-Friendly Options
- 6. Navigating K4m Repair Manual eBook Formats
  - ePub, PDF, MOBI, and More
  - K4m Repair Manual Compatibility with Devices
  - K4m Repair Manual Enhanced eBook Features
- 7. Enhancing Your Reading Experience
  - Adjustable Fonts and Text Sizes of K4m Repair Manual
  - Highlighting and Note-Taking K4m Repair Manual
  - Interactive Elements K4m Repair Manual
- 8. Staying Engaged with K4m Repair Manual
  - Joining Online Reading Communities
  - Participating in Virtual Book Clubs
  - Following Authors and Publishers K4m Repair Manual
- 9. Balancing eBooks and Physical Books K4m Repair Manual
  - Benefits of a Digital Library
  - Creating a Diverse Reading Collection K4m Repair Manual
- 10. Overcoming Reading Challenges
  - Dealing with Digital Eye Strain
  - Minimizing Distractions
  - Managing Screen Time
- 11. Cultivating a Reading Routine K4m Repair Manual
  - Setting Reading Goals K4m Repair Manual
  - Carving Out Dedicated Reading Time
- 12. Sourcing Reliable Information of K4m Repair Manual
  - Fact-Checking eBook Content of K4m Repair Manual

- Distinguishing Credible Sources
- 13. Promoting Lifelong Learning
  - Utilizing eBooks for Skill Development
  - Exploring Educational eBooks
- 14. Embracing eBook Trends
  - Integration of Multimedia Elements
  - Interactive and Gamified eBooks

### **K4m Repair Manual Introduction**

Free PDF Books and Manuals for Download: Unlocking Knowledge at Your Fingertips In today's fast-paced digital age, obtaining valuable knowledge has become easier than ever. Thanks to the internet, a vast array of books and manuals are now available for free download in PDF format. Whether you are a student, professional, or simply an avid reader, this treasure trove of downloadable resources offers a wealth of information, conveniently accessible anytime, anywhere. The advent of online libraries and platforms dedicated to sharing knowledge has revolutionized the way we consume information. No longer confined to physical libraries or bookstores, readers can now access an extensive collection of digital books and manuals with just a few clicks. These resources, available in PDF, Microsoft Word, and PowerPoint formats, cater to a wide range of interests, including literature, technology, science, history, and much more. One notable platform where you can explore and download free K4m Repair Manual PDF books and manuals is the internet's largest free library. Hosted online, this catalog compiles a vast assortment of documents, making it a veritable goldmine of knowledge. With its easy-to-use website interface and customizable PDF generator, this platform offers a user-friendly experience, allowing individuals to effortlessly navigate and access the information they seek. The availability of free PDF books and manuals on this platform demonstrates its commitment to democratizing education and empowering individuals with the tools needed to succeed in their chosen fields. It allows anyone, regardless of their background or financial limitations, to expand their horizons and gain insights from experts in various disciplines. One of the most significant advantages of downloading PDF books and manuals lies in their portability. Unlike physical copies, digital books can be stored and carried on a single device, such as a tablet or smartphone, saving valuable space and weight. This convenience makes it possible for readers to have their entire library at their fingertips, whether they are commuting, traveling, or simply enjoying a lazy afternoon at home. Additionally, digital files are easily searchable, enabling readers to locate specific information within seconds. With a few keystrokes, users can search for keywords, topics, or phrases, making research and finding relevant information a breeze. This efficiency saves time and effort, streamlining the learning process and allowing individuals to focus on extracting the information they

need. Furthermore, the availability of free PDF books and manuals fosters a culture of continuous learning. By removing financial barriers, more people can access educational resources and pursue lifelong learning, contributing to personal growth and professional development. This democratization of knowledge promotes intellectual curiosity and empowers individuals to become lifelong learners, promoting progress and innovation in various fields. It is worth noting that while accessing free K4m Repair Manual PDF books and manuals is convenient and cost-effective, it is vital to respect copyright laws and intellectual property rights. Platforms offering free downloads often operate within legal boundaries, ensuring that the materials they provide are either in the public domain or authorized for distribution. By adhering to copyright laws, users can enjoy the benefits of free access to knowledge while supporting the authors and publishers who make these resources available. In conclusion, the availability of K4m Repair Manual free PDF books and manuals for download has revolutionized the way we access and consume knowledge. With just a few clicks, individuals can explore a vast collection of resources across different disciplines, all free of charge. This accessibility empowers individuals to become lifelong learners, contributing to personal growth, professional development, and the advancement of society as a whole. So why not unlock a world of knowledge today? Start exploring the vast sea of free PDF books and manuals waiting to be discovered right at your fingertips.

## FAQs About K4m Repair Manual Books

**What is a K4m Repair Manual PDF?** A PDF (Portable Document Format) is a file format developed by Adobe that preserves the layout and formatting of a document, regardless of the software, hardware, or operating system used to view or print it. **How do I create a K4m Repair Manual PDF?** There are several ways to create a PDF: Use software like Adobe Acrobat, Microsoft Word, or Google Docs, which often have built-in PDF creation tools. Print to PDF: Many applications and operating systems have a "Print to PDF" option that allows you to save a document as a PDF file instead of printing it on paper. Online converters: There are various online tools that can convert different file types to PDF. **How do I edit a K4m Repair Manual PDF?** Editing a PDF can be done with software like Adobe Acrobat, which allows direct editing of text, images, and other elements within the PDF. Some free tools, like PDFescape or Smallpdf, also offer basic editing capabilities. **How do I convert a K4m Repair Manual PDF to another file format?** There are multiple ways to convert a PDF to another format: Use online converters like Smallpdf, Zamzar, or Adobe Acrobats export feature to convert PDFs to formats like Word, Excel, JPEG, etc. Software like Adobe Acrobat, Microsoft Word, or other PDF editors may have options to export or save PDFs in different formats. **How do I password-protect a K4m Repair Manual PDF?** Most PDF editing software allows you to add password protection. In Adobe Acrobat, for instance, you can go to "File" -> "Properties" -> "Security" to

set a password to restrict access or editing capabilities. Are there any free alternatives to Adobe Acrobat for working with PDFs? Yes, there are many free alternatives for working with PDFs, such as: LibreOffice: Offers PDF editing features. PDFsam: Allows splitting, merging, and editing PDFs. Foxit Reader: Provides basic PDF viewing and editing capabilities. How do I compress a PDF file? You can use online tools like Smallpdf, ILovePDF, or desktop software like Adobe Acrobat to compress PDF files without significant quality loss. Compression reduces the file size, making it easier to share and download. Can I fill out forms in a PDF file? Yes, most PDF viewers/editors like Adobe Acrobat, Preview (on Mac), or various online tools allow you to fill out forms in PDF files by selecting text fields and entering information. Are there any restrictions when working with PDFs? Some PDFs might have restrictions set by their creator, such as password protection, editing restrictions, or print restrictions. Breaking these restrictions might require specific software or tools, which may or may not be legal depending on the circumstances and local laws.

### **Find K4m Repair Manual :**

[little warranty people](#)

[little treasury of modern poetry english and american](#)

**little tot dot-to-dot activity**

**little town.**

[little tot hidden pictures](#)

[little rabbits snacktime](#)

*lives of the fathers of the desert*

**living buddha living christ audio cassette by nhat hanh thich**

[living earth:just a bit of wood](#)

**lively lemon recipes**

[little rome iowa three one-act plays](#)

[live and learn and pass it on volume iii](#)

*little rascals clabics vol 2*

**littlest wolf**

[living and working in the usa](#)



---

## K4m Repair Manual :

**free client intake templates and forms smartsheet** - Oct 06 2023

web jul 2 2020 included on this page you ll find a legal client intake form a tax client intake form a patient intake form a real estate client intake form a marketing client intake form and more plus get tips on creating a client intake form

[customizable client intake form template monday com blog](#) - Sep 05 2023

web apr 27 2022 in this article we ll discuss why intake forms are so important in the client onboarding process we ll also share our easy to use intake form template and explain how to standardize the process and create a consistent high quality experience for every client who works with you get the template

[how to create a client intake form step by step template](#) - Aug 04 2023

web sep 8 2023 what is crm project intake form last updated on september 8th 2023 guide how to create an intake form step by step key points define what kind of information you need in order to create an accurate

**42 printable client intake forms free templates** - Jul 03 2023

web what is client intake form a client intake form is a questionnaire that you share with a client at the beginning of a working relationship with a new client intake form you can gather the information you need from a client so that you can understand if the client is a good fit for your company

[new client intake form template for professional services keap](#) - Oct 26 2022

web feb 2 2022 what should a new client intake form template include the intake form questions must follow your intake process what data is critical to starting a great relationship is there information you need to guide them to the next stage of the buyer s journey what information will support their search or clarify their needs

**new client intake form template jotform** - Jun 02 2023

web a new client intake form is a document that is used by a company to provide information about a new client or customer consider adding a free new client intake form to your website today

[create client intake form for free jotform](#) - Jul 23 2022

web no coding required create the perfect intake form for your business without writing a single line of code with our drag and drop form builder advanced form fields and widgets and 100 integrations you can customize your intake form to match your branding and meet your exact needs

*client intake forms a full guide to new client satisfaction and retention* - Jun 21 2022

web oct 13 2021 your relationships with your clients matter when you match with a client from your intake form there is a high chance that both of you will have a good business relationship who should use client intake forms the overarching question is does your business need a client intake form

---

[the perfect new accounting client intake form free template](#) - Apr 19 2022

web apr 18 2022 a client intake form is a data collection form that allows accounting businesses to collect information about their new clients during the onboarding process think of it as a questionnaire that helps you better understand your new accounting clients from their primary business activity and type of entity to their revenues and tax status

[free bookkeeping client intake form pdf word esign](#) - Feb 15 2022

web updated on august 1st 2023 a bookkeeping client intake form collects the information of a client interested in bookkeeping services it records the client s contact business and financial information while detailing what they re looking for out of the bookkeeper

**how to create an effective new client intake form datamyte** - May 21 2022

web oct 25 2023 creating an effective new client intake form ensures a smooth onboarding process click here to learn how to create one

**how to create a proper client intake form for free template** - Nov 26 2022

web a client intake form is the first touchpoint between you and your prospects it s a questionnaire that helps you collect the most essential information about your potential clients before you start working with them their needs their goals their budget and their special requests

[new client intake template zapier interfaces](#) - Dec 28 2022

web zapier s new client intake template is designed to give your clients a seamless experience from the moment of purchase with options for adding new clients and viewing client data this template is perfect for your employees or stakeholders who need to manage client information effectively

**new client intake checklist for bookkeeping accounting** - Mar 19 2022

web when onboarding new clients bookkeepers and accountants should have a new client intake form that includes the following information contact information for the primary point person at the client company this should include name title email address and phone number tax identification numbers for the client company

[everything you need to include in a new client intake form b12](#) - Mar 31 2023

web apr 17 2023 in this blog post we will discuss the critical elements to include in a client intake form how to collect contact information and health histories outline consent and disclosures and the benefits of having a comprehensive intake form

[how to create a new client intake form adobe acrobat](#) - Jan 29 2023

web how to build a new client intake form grow strong business relationships with an airtight client intake form template discover the importance of a new client intake form for a seamless and efficient start to your business relationship with the

guide below

**how to create a client intake form that gets results** - Aug 24 2022

web what is a client intake form intake forms are more than a simple contact form because they are designed to let you know what your client needs are and if your business is capable of attending to them with an intake form you can gather information from your clients before your first meeting

*our guide to designing a client intake form with template practice* - May 01 2023

web nov 16 2022 client intake forms streamline future processes learn how to make a client intake form template and find inspiration with our free template when you get a call from a prospective client you likely feel excited a new challenge has presented itself

**what a client intake form is what it should look like template** - Feb 27 2023

web mar 17 2023 client intake forms are preliminary paperwork potential customers fill out to determine their fit for your services these forms ask for information about the person or their business if their answers line up with the services you provide you can begin onboarding if not they can find a service provider who is a better fit

**new client intake form word pdf google docs highfile** - Sep 24 2022

web a new client intake form is a document used by businesses to gather essential information from newcomers ensuring they receive tailored services and seamless experiences we understand the importance of having an effective intake form and our template is designed to address that need

**nobela at parabula flashcards quizlet** - Mar 30 2022

web nobela ng tauhan nakatuon ang uring ito sa mga pangangailangan kalagayan at hangari ng mga tauhan halimbawa ninay pedro paterno halimbawa anino ng kahapon francisco lacsamana dalagang marmol isabelo reyes nobelang maromansa ang tema nito ay pag ibig at iba t ibang uri nito

[pagsusuri ng nobela pdf scribd](#) - Dec 27 2021

web halimbawa sa panunuri ng maikling kuwento dapat suriin ang mga elementong taglay nito tauhan tagpuan banghay tunggalian simbolo pahiwatig magagandang kaisipan o pahayag at maging ang paraan kung paano ito nagsimula at nagwakas samantala sa nobela karaniwan na inaalang ang mga katangiang pampanitikang

*mga halimbawa ng nobela ng tauhan tauhan opisina* - Apr 30 2022

web ang mga mahahalagang sangkap ng isang nobela ay hindi katulad ng mga nobela dapat nang ipakita ang mga tauhan dahil wala ng oras na ipakita ito sa gitna o huling bahagi dahil limitado lamang ang kaganapan sa mga kwentong ito uri ng nobela pdf ang huling timawa 1936 ni servando de los angeles mga halimbawa ng nobela ng tauhan ayon

**halimbawa ng nobela ng tauhan pagtitipon nobela** - May 12 2023

web tauhan nagpapagalaw at nagbibigay buhay sa nobela 3 mga halimbawa ng nobelang pagbabago noli me tangere tauhan at mga katangian ng bawat isa sa post na ito mababasa ninyo ang mga mahahalagang tauhan pati na rin ang mga tauhan halimbawa ng pagsusuri ng nobelang anak ng lupa 24102018 halimbawa ng nobela ng [ano ang tauhan sa isang nobela brainly ph](#) - Oct 05 2022

web jul 20 2017 haba tauhan ito ang inibigyang buhay ng manunulat sa kaisipan ng mga mambabasa dapat gumagalaw ang tauhan nang alinsunod sa hinihingi ng tunay na buhay halimbawa ng mga tauhan sa nobelang noli me tangere 1 maria clara 2 crisostomo ibarra 3 padre damaso ang mga sumusunod ay may kaugnayan sa katanungan

**banghay ng isang nobela pagtitipon nobela** - Feb 26 2022

web ang nobela ay may 9 na katangian nobela ng tauhan ang mga pangyayari ay umiikot sa pangunahing tauhan at iba pang tauhang nakaapekto sa kanyang buhay limang elemento ng nobela simula paglalahad o paglalarawan sa tauhan tagpuan o maaaring mailahad agad ang suliranin banghay ng isang nobela mala masusing banghay aralin

**mga halimbawa ng nobela ng tauhan answers** - Aug 03 2022

web dec 22 2022 madalas na umiikot sa isa o ilang pangunahing tauhan ang nobela ang gawain at reaksiyon ng pangunahing tauhan sa mga pangyayari ay mahalaga sa nobela karaniwang detalyado ang

**halimbawa ng nobela mga halimbawa ng nobelang pinoy** - Aug 15 2023

web feb 13 2020 halimbawa ng nobela sa paksang ito tatalakayin natin kung ano nga ba ang tinatawag na nobela ang nobela o kathambuhay ay isang kwentong mahaba na piksyon imbento lamang na may iba t ibang kabanata heto ang mga halimbawa ng mga nobelang pilipino canal de la reina liwayway a arceo ito ay binubuo ng 30 na

[magbigay ng isang halimbawa ng nobelang tauhan brainly ph](#) - Jan 28 2022

web mar 14 2021 answer crisostomo ibarra at maria clara florante at laura romeo and juliet advertisement [nobela aralin philippines](#) - Nov 06 2022

web may 20 2022 1 nobelang makatotohanan ito ay sinulat upang gawing totoo ang mga pangyayaring isinalaysay nagtatampok ito ng malalakas na karakter na umunlad sa isang kapaligiran sila ay may totoong mga problemang panlipunan at nagsasagawa ng pang araw araw na mga pagkilos 2 nobelang pangkasaysayan

**nobela wikipedia ang malayang ensiklopedya** - Feb 09 2023

web nobelang tauhan binibigyang diin sa nobelang ito ang katauhan ng pangunahing tauhan mga hangarin kalagayan sitwasyon at pangangailangan nobelang pagbabago ukol sa mga pangyayari na nakakapagpabago ng ating buhay o sistema baguhin ang wikitext kasaysayan ng nobela sa pilipinas

*mahalagang sangkap sa nobela halimbawa at kahulugan* - Jul 02 2022

web jan 4 2021 ang mga tauhan ang isa sa mga mahahalagang sangkap nito dahil sila ang nagbibigay buhay sa kwentong

gustong ipahiwatig ng isang nobela dito natin malalaman kung ano ang mga katangian ng mga bida at ang mga katunggali nito

**ano ang nobela elemento kahulugan uri at halimbawa** - Jul 14 2023

web sep 7 2023 elemento ng nobela ang mga sumusunod ay ang mga elemento ng nobela tema ang tema ay ang ideya o paksa sa gitna ng kwento ito ang pangunahing mensahe o konsepto na nais iparating ng may akda sa mambabasa halimbawa ang tema ng isang nobela ay maaaring tungkol sa pag ibig pakikibaka pagkakaibigan o kahalagahan ng

halimbawa na tauhan ng nobela brainly ph - Sep 04 2022

web jun 6 2018 halimbawa na tauhan ng nobela expert verified answer question 5 people found it helpful primrowe kasagutan tauhan sa noli me tangere ibarra mayamang binata na may lahing espanyol at filipino na kadadating lang galing sa europa maria clara kababata at babaeng minamahal ni ibarra

**nobela ng tauhan belajar** - Jun 01 2022

web 6 hinaharap ng mga tauhan sa nobela 7 halimbawa ng mga nobela ng tauhan 8 mag bigay ng limang nobela at mga pangunahing tauhan 9 hinaharap ng mga tauhan sanobelaa ano ang hinaharap as mga tauhan sa nobela 10 mga tauhan at kahalagahan ng bawat tauhan sa nobela ng el filibusterismo 11 anong paraan makikilala ang

nobela ng tauhan fra pdf scribd - Jun 13 2023

web nobela ng tauhan katangian at kahulugan ang pokus ng teoryang ito ay ang tauhan naniniwala ang mga humanista na ang tao ang sukatan ng lahat ng bagay kung kaya t mahalagang maipagkaloob sa kanya ang kalayaan sa pagpapahayag ng saloobin at kalayaan sa pagpapasya

*uri ng nobela pdf scribd* - Dec 07 2022

web nobelang pumapaksa sa pag ibig mayroong iba t ibang uri ng pag ibig sa bayan sa diyos sa kapwa sa mga magulang sa kasintahan at iba pang uri ng pag ibig mga halimbawa landas ng pag ibig ni deogracias rosario at pinaglahuan ni faustino aguilar nobela ng

**ano ang nobela kahulugan elemento uri at halimbawa** - Jan 08 2023

web mar 16 2023 halimbawa el filibusterismo ni dr jose rizal at les misérables ni victor hugo siyensiya piksyon ang nobela ay may elementong maka aksyon at nakabatay sa siyensiya o teknolohiya halimbawa 1984 ni george

**nobela layunin ng nobela katangian ng nobela mga uri ng nobela** - Mar 10 2023

web 10 maraming magagandang tagpuan kung saan nakikilala pa ng lalo ang mga tauhan mga halimbawa ng nobela 1 mga ibong mandaragit amado v hernandez 2 lalaki sa dilim benjamin m pascual 3 el filibusterismo jose rizal uri ng nobela 1 nobelang romansa ukol sa pagkakaibigan 2 kasaysayan bininigyang diin ang kasaysayan o

**mga halimbawa ng mga nobelang pilipino philnews ph** - Apr 11 2023

web feb 19 2022 mga uri ng nobela nobela ng kasaysayan nobela ng pagbabago nobela ng pag ibig o romansa nobela ng pangyayari nobelang panlipunan nobela ng tauhan ito ang ilang halimbawa ng nobela

**erev shel shoshani evening of roses hebrew english** - Jul 22 2022

web guitar and lyrics

**echoes of the russian verse by gene skuratovsky goodreads** - Sep 04 2023

web may 21 2012 echoes of the russian verse is written in english and is intended for those who love poetry it is hoped that one can enjoy reading it without regard to the poems source information there are no biographical notes on the russian poets no comments or opinions on russian poetry

**echoes of the russian verse english edition uniport edu** - Jun 20 2022

web may 8 2023 echoes of the russian verse is written in english and is intended for those who love poetry it is hoped that one can enjoy reading it without regard to the poems source information there are no biographical notes on the russian poets no comments or opinions on russian poetry there is only one type of information written in russian

[echoes of the russian verse english edition pdf 2013](#) - Oct 05 2023

web echoes of the russian verse english edition downloaded from 2013 thecontemporaryaustin org by guest jordyn kane vladimir nabokov as an author translator routledge

**echoes of the russian verse english edition copy uniport edu** - Apr 18 2022

web aug 30 2023 create bargains to download and install echoes of the russian verse english edition in view of that simple an echo from patmos or prophecy fulfilling being a collection of remarkable facts illustrating

**echoes of the russian verse english edition copy uniport edu** - Feb 14 2022

web aug 3 2023 echoes of the russian verse english edition 1 8 downloaded from uniport edu ng on august 3 2023 by guest echoes of the russian verse english edition when somebody should go to the books stores search creation by shop shelf by shelf it is essentially problematic this is why we offer the books compilations in this website

**echoes of the russian verse kindle edition amazon com** - Jun 01 2023

web feb 2 2015 delivering to lebanon 66952 choose location for most accurate options kindle store select the department you want to search in

*echoes of the russian verse english edition kindle edition amazon de* - Mar 30 2023

web echoes of the russian verse english edition ebook skuratovsky gene amazon de kindle store

**echoes of the russian verse english edition book** - Jul 02 2023

web echoes of the russian verse english edition five centuries of english verse vol 1 of 2 jun 21 2022 excerpt from five centuries of english verse vol 1 of 2 impressions chaucer to burns admiration is not to be sought for chaucer by way of alms

with a kind of compassionate indulgence for him as phenomenal for his period for work like

**echoes translation into russian examples english reverso** - May 20 2022

web translations in context of echoes in english russian from reverso context the marvel of pterosaur flight has evolutionary echoes that resonate even today

echoes of the russian verse english edition john o donohue - Oct 25 2022

web from the united states britain and russia examine the place of poetry in russian culture through a variety of critical approaches these scholars translators and poets consider a broad cross section of russian poets from pushkin to brodsky shvarts and kibirov echoes of the great war andrew clark 1985

*echoes of the russian verse ebook amazon co uk* - Aug 03 2023

web echoes of the russian verse ebook skuratovsky gene amazon co uk kindle store

**echoes of the russian verse english edition pdf cdn writermag** - Nov 25 2022

web echoes of a native land retributive justice in the cave of the echoes recovered roots the development of russian verse roman jakobson new narratives of russian and east european art echoes of the russian verse english edition downloaded from cdn writermag com by guest camille banks an introduction to the russian folktale

**echoes of the russian verse paperback may 21 2012** - Apr 30 2023

web may 21 2012 echoes of the russian verse skuratovsky gene on amazon com free shipping on qualifying offers echoes of the russian verse

**echoes of the russian verse english edition copy uniport edu** - Sep 23 2022

web oct 3 2023 echoes of the russian verse english edition is available in our book collection an online access to it is set as public so you can get it instantly our book servers spans in multiple countries allowing you to get the most less

*echoes of the russian verse english edition by gene skuratovsky* - Dec 27 2022

web echoes of the russian verse english edition by gene skuratovsky arab times kuwait news the first english language daily verse poetry anthologies and tens of thousands of poems de ecos english translation linguee how much do we know about contemporary

*echoes of the russian verse by gene skuratovsky goodreads* - Mar 18 2022

web if only you could read the original works of famous russian poets glimpse the uniqueness of such giants as pushkin lermontov akhmatova appreciate their finely crafted stanzas feel their joy and sadness despondency and optimism hear the music of their voices

**echoes of the russian verse kindle edition amazon in** - Jan 28 2023

web select the department you want to search in

**echoesoftherussianverseenglishedition** - Feb 26 2023

web available about john milton it has grown to be a study of english civilization of milton s time and a history of literary and political matters since then the development of russian verse jun 24 2023 the development of russian verse explores the russian verse tradition from pushkin to

**erev shel shoshanim evening of roses lyrics translation into english** - Aug 23 2022

web english translation erev shel shoshanim evening of roses nitzeh na el habustan let s go out to the grove mor besamim ulevana myrrh spices and incense l raglech miftan are a carpet to walk on chorus chorus layla yored le at the night comes slowly veru ach shoshan noshvak a breeze of roses blows havah elchash lach shir balat