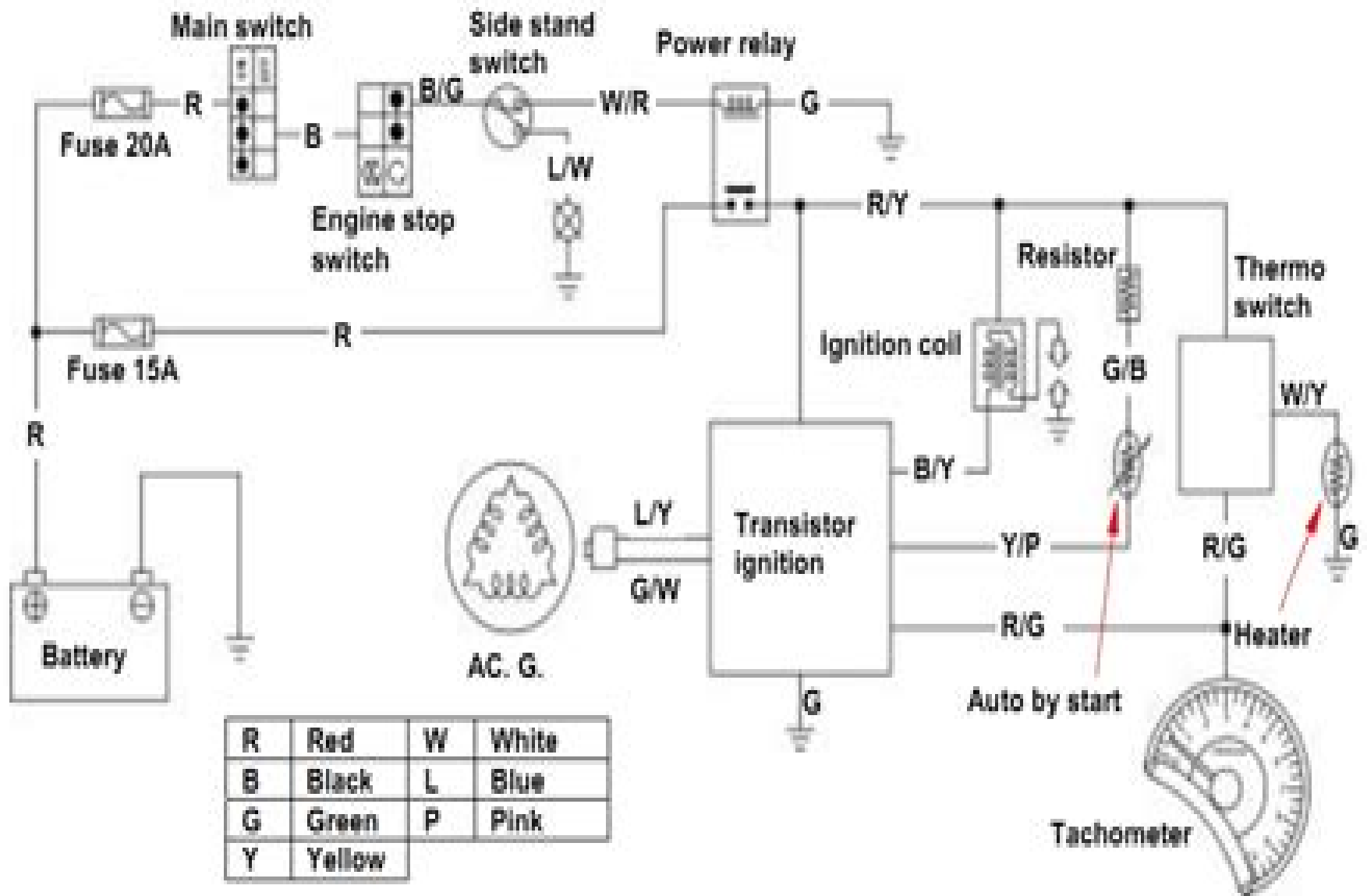


# Ignition circuit diagram



# Gy6 125 Manual

**F.lli Benelli**



**Gy6 125 Manual:**

Ignite the flame of optimism with Crafted by is motivational masterpiece, Fuel Your Spirit with **Gy6 125 Manual** . In a downloadable PDF format ( \*), this ebook is a beacon of encouragement. Download now and let the words propel you towards a brighter, more motivated tomorrow.

[https://staging.conocer.cide.edu/book/virtual-library/Download\\_PDFS/from%20my%20generation%20to%20yourswith%20love.pdf](https://staging.conocer.cide.edu/book/virtual-library/Download_PDFS/from%20my%20generation%20to%20yourswith%20love.pdf)

## **Table of Contents Gy6 125 Manual**

1. Understanding the eBook Gy6 125 Manual
  - The Rise of Digital Reading Gy6 125 Manual
  - Advantages of eBooks Over Traditional Books
2. Identifying Gy6 125 Manual
  - Exploring Different Genres
  - Considering Fiction vs. Non-Fiction
  - Determining Your Reading Goals
3. Choosing the Right eBook Platform
  - Popular eBook Platforms
  - Features to Look for in an Gy6 125 Manual
  - User-Friendly Interface
4. Exploring eBook Recommendations from Gy6 125 Manual
  - Personalized Recommendations
  - Gy6 125 Manual User Reviews and Ratings
  - Gy6 125 Manual and Bestseller Lists
5. Accessing Gy6 125 Manual Free and Paid eBooks
  - Gy6 125 Manual Public Domain eBooks
  - Gy6 125 Manual eBook Subscription Services
  - Gy6 125 Manual Budget-Friendly Options

6. Navigating Gy6 125 Manual eBook Formats
  - ePub, PDF, MOBI, and More
  - Gy6 125 Manual Compatibility with Devices
  - Gy6 125 Manual Enhanced eBook Features
7. Enhancing Your Reading Experience
  - Adjustable Fonts and Text Sizes of Gy6 125 Manual
  - Highlighting and Note-Taking Gy6 125 Manual
  - Interactive Elements Gy6 125 Manual
8. Staying Engaged with Gy6 125 Manual
  - Joining Online Reading Communities
  - Participating in Virtual Book Clubs
  - Following Authors and Publishers Gy6 125 Manual
9. Balancing eBooks and Physical Books Gy6 125 Manual
  - Benefits of a Digital Library
  - Creating a Diverse Reading Collection Gy6 125 Manual
10. Overcoming Reading Challenges
  - Dealing with Digital Eye Strain
  - Minimizing Distractions
  - Managing Screen Time
11. Cultivating a Reading Routine Gy6 125 Manual
  - Setting Reading Goals Gy6 125 Manual
  - Carving Out Dedicated Reading Time
12. Sourcing Reliable Information of Gy6 125 Manual
  - Fact-Checking eBook Content of Gy6 125 Manual
  - Distinguishing Credible Sources
13. Promoting Lifelong Learning
  - Utilizing eBooks for Skill Development
  - Exploring Educational eBooks
14. Embracing eBook Trends
  - Integration of Multimedia Elements

- Interactive and Gamified eBooks

## **Gy6 125 Manual Introduction**

Gy6 125 Manual Offers over 60,000 free eBooks, including many classics that are in the public domain. Open Library: Provides access to over 1 million free eBooks, including classic literature and contemporary works. Gy6 125 Manual Offers a vast collection of books, some of which are available for free as PDF downloads, particularly older books in the public domain. Gy6 125 Manual : This website hosts a vast collection of scientific articles, books, and textbooks. While it operates in a legal gray area due to copyright issues, its a popular resource for finding various publications. Internet Archive for Gy6 125 Manual : Has an extensive collection of digital content, including books, articles, videos, and more. It has a massive library of free downloadable books. Free-eBooks Gy6 125 Manual Offers a diverse range of free eBooks across various genres. Gy6 125 Manual Focuses mainly on educational books, textbooks, and business books. It offers free PDF downloads for educational purposes. Gy6 125 Manual Provides a large selection of free eBooks in different genres, which are available for download in various formats, including PDF. Finding specific Gy6 125 Manual, especially related to Gy6 125 Manual, might be challenging as theyre often artistic creations rather than practical blueprints. However, you can explore the following steps to search for or create your own Online Searches: Look for websites, forums, or blogs dedicated to Gy6 125 Manual, Sometimes enthusiasts share their designs or concepts in PDF format. Books and Magazines Some Gy6 125 Manual books or magazines might include. Look for these in online stores or libraries. Remember that while Gy6 125 Manual, sharing copyrighted material without permission is not legal. Always ensure youre either creating your own or obtaining them from legitimate sources that allow sharing and downloading. Library Check if your local library offers eBook lending services. Many libraries have digital catalogs where you can borrow Gy6 125 Manual eBooks for free, including popular titles. Online Retailers: Websites like Amazon, Google Books, or Apple Books often sell eBooks. Sometimes, authors or publishers offer promotions or free periods for certain books. Authors Website Occasionally, authors provide excerpts or short stories for free on their websites. While this might not be the Gy6 125 Manual full book , it can give you a taste of the authors writing style. Subscription Services Platforms like Kindle Unlimited or Scribd offer subscription-based access to a wide range of Gy6 125 Manual eBooks, including some popular titles.

## **FAQs About Gy6 125 Manual Books**

How do I know which eBook platform is the best for me? Finding the best eBook platform depends on your reading preferences and device compatibility. Research different platforms, read user reviews, and explore their features before

making a choice. Are free eBooks of good quality? Yes, many reputable platforms offer high-quality free eBooks, including classics and public domain works. However, make sure to verify the source to ensure the eBook credibility. Can I read eBooks without an eReader? Absolutely! Most eBook platforms offer web-based readers or mobile apps that allow you to read eBooks on your computer, tablet, or smartphone. How do I avoid digital eye strain while reading eBooks? To prevent digital eye strain, take regular breaks, adjust the font size and background color, and ensure proper lighting while reading eBooks. What the advantage of interactive eBooks? Interactive eBooks incorporate multimedia elements, quizzes, and activities, enhancing the reader engagement and providing a more immersive learning experience. Gy6 125 Manual is one of the best book in our library for free trial. We provide copy of Gy6 125 Manual in digital format, so the resources that you find are reliable. There are also many Ebooks of related with Gy6 125 Manual. Where to download Gy6 125 Manual online for free? Are you looking for Gy6 125 Manual PDF? This is definitely going to save you time and cash in something you should think about.

**Find Gy6 125 Manual :**

from my generation to yours.with love

~~from dugout to diesel transportation on lake nipissing~~

~~friends in the delaware valley philadelphia yearly meeting 1681-1981 by moore~~

~~friesian horses~~

*friska the sheep that was too small*

friends together the real mother goose library

**from front porch to back seat**

**from myth to reason studies in the development of greek thought**

**from goya to gauguin**

from fairest flowers

**from liquor and loneliness to love and laughter**

friend in the kitchen old australian cookerys

*friends & other enemies spec sale*

*from a bend in the river 100 new orleans poets*

~~from a to z the collected letters of irene and hallie coletta.~~

**Gy6 125 Manual :**

Bentley Service Manual - Volvo 240 1981 to 1993 - L293 Specifically covers 1983-1993 model years both turbo and non-turbo, but is very useful for earlier models as well. About Bentley. Volvo 240 Service Manual: 1983, 1984, 1985, 1986, 1987 ... The Volvo 240 Service Manual: 1983-1993 is a comprehensive source of service information and specifications for Volvo 240 and other Volvo 200-series cars ... The - Volvo 240 Service Manual: 1983-1993 Though the do-it-yourself Volvo owner will find this manual indispensable as a source of detailed maintenance and repair information, even the Volvo owner who ... Volvo 240 Service Manual: 1983-1993 Jul 23, 2011 — Looking for a download of a Volvo 240 Service Manual: 1983-1993. If you can help with my search it would be much appreciated. Volvo 240 Service Manual 1983, 1984, 1985, ... - Amazon This Volvo service manual from Robert Bentley, is the only comprehensive single source of service information and specifications available for Volvo 240 ... Volvo Bentley Repair Service Manual - Bentley L293 Whether you're a professional technician or a do-it-yourself Volvo owner, this manual will help you understand, maintain, and repair systems on the Volvo 240. Bentley Service Manual, Volvo 240 1983-1993 The Volvo 240 Service Manual: 1983-1993 is a comprehensive source of service information and specifications for Volvo 240 and other Volvo 200-series cars ... Bentley VOLVO 240 Service Manual 83-93 V08000293 Find many great new & used options and get the best deals for Bentley VOLVO 240 Service Manual 83-93 V08000293 at the best online prices at eBay! Volvo 240 Service Manual 1983 Through 1993 This Volvo service manual from Robert Bentley, is the only comprehensive single source of service information and specifications available for Volvo 240 ... Volvo 240 Service Manual: 1983, 1984, 1985, 1986, 1987, ... Volvo 200-series and 240 models covered in this repair manual: 1983-1985 - DL ... Volvo 240 Service Manual (Hardcover). Bentley Publishers. Published by Bentley ... The Premarital Counseling Handbook by Wright, H. Norman Very helpful resource for counseling couples. Provides down to earth prospective for ministering to couples and their extended family as they prepare for ... The Premarital Counseling Handbook | Christian Books Since its introduction in 1977 as Premarital Counseling, this book has been used by thousands of churches throughout the country as both a guide and reference ... Premarital Counseling Handbook | Cokesbury Since its introduction in 1977 as Premarital Counseling, this book has been used by thousands of churches throughout the country as both a guide and reference ... The Premarital Counseling Handbook - Norman Wright Writing for both pastors and other premarital counselors, H. Norman Wright sets you at ease about the counseling process, even if you've had only limited ... The Premarital Counseling Handbook - Scripture Truth Since its introduction in 1977 as Premarital Counseling, this book has been used by literally thousands of churches throughout the country as both a guide and ... The Premarital Counseling Handbook: H. Norman Wright Since its introduction in 1977 as Premarital Counseling, this book has been used by thousands of churches throughout the country as both a guide and reference ... The Premarital Counseling Handbook - Biblestore.com Since its introduction in 1977 as Premarital Counseling, this book has been used by thousands of churches throughout the



country as both a guide and reference ... The Premarital Counseling Handbook: Wright, Norman Wright encourages pastors to take very seriously the premarital counseling process and shows them step-by-step how to conduct counseling sessions that will ... The Premarital Counseling Handbook The Premarital Counseling Handbook. \$24.99 Contact store for availability! ... In any endeavor, dreams and goals not backed by concrete plans and preparations can ... The Premarital Counseling Handbook - Heaven & Earth Non-Fiction / Self Help / Recovery , Love & Marriage. The Premarital Counseling Handbook. H. Norman Wright. The Premarital Counseling Handbook. \$24.99. Add To ... Wally Olins The Brand Handbook /anglais A remarkable guide to have as an inspiration when branding your company, or even yourself. This book doesn't intend be a deep reading, it is a guide that points ... Wally Olins: The Brand Handbook Here,Wally Olins sets out the ground rules for branding success in the 21st century, explaining why understanding the links between business, brand and ... The Brand Handbook by Wally Olins (2-Jun-2008) Hardcover A remarkable guide to have as an inspiration when branding your company, or even yourself. This book doesn't intend be a deep reading, it is a guide that points ... Wally Olins The Brand Handbook /anglais This book is about brands, specifically what they are and how to create then manage one. In the beginning of the book, Olins gives examples of branding, as seen ... Wally Olins: The Brand Handbook Jun 2, 2008 — Here,Wally Olins sets out the ground rules for branding success in the 21st century, explaining why understanding the links between business ... List of books by author Wally Olins Looking for books by Wally Olins? See all books authored by Wally Olins, including Corporate Identity, and Brand New.: The Shape of Brands to Come, ... Wally Olins: The Brand Handbook ISBN: 9780500514085 - Paperback - THAMES HUDSON - 2008 - Condition: Good - The book has been read but remains in clean condition. Wally Olins : the brand handbook Wally Olins sets out the ground rules for branding success in the 21st century, explaining why understanding the links between business, brand and consumer ... The Brand Handbook by Wally Olins Paperback Book ... Wally Olins: The Brand Handbook by Wally Olins Paperback Book The Fast Free · World of Books USA (1015634) · 95.7% positive feedback ... Wally Olins - The Brand Handbook (Hardcover) Here, Wally Olins sets out the ground rules for branding success in the 21st century, explaining why understanding the links between business, brand and ...