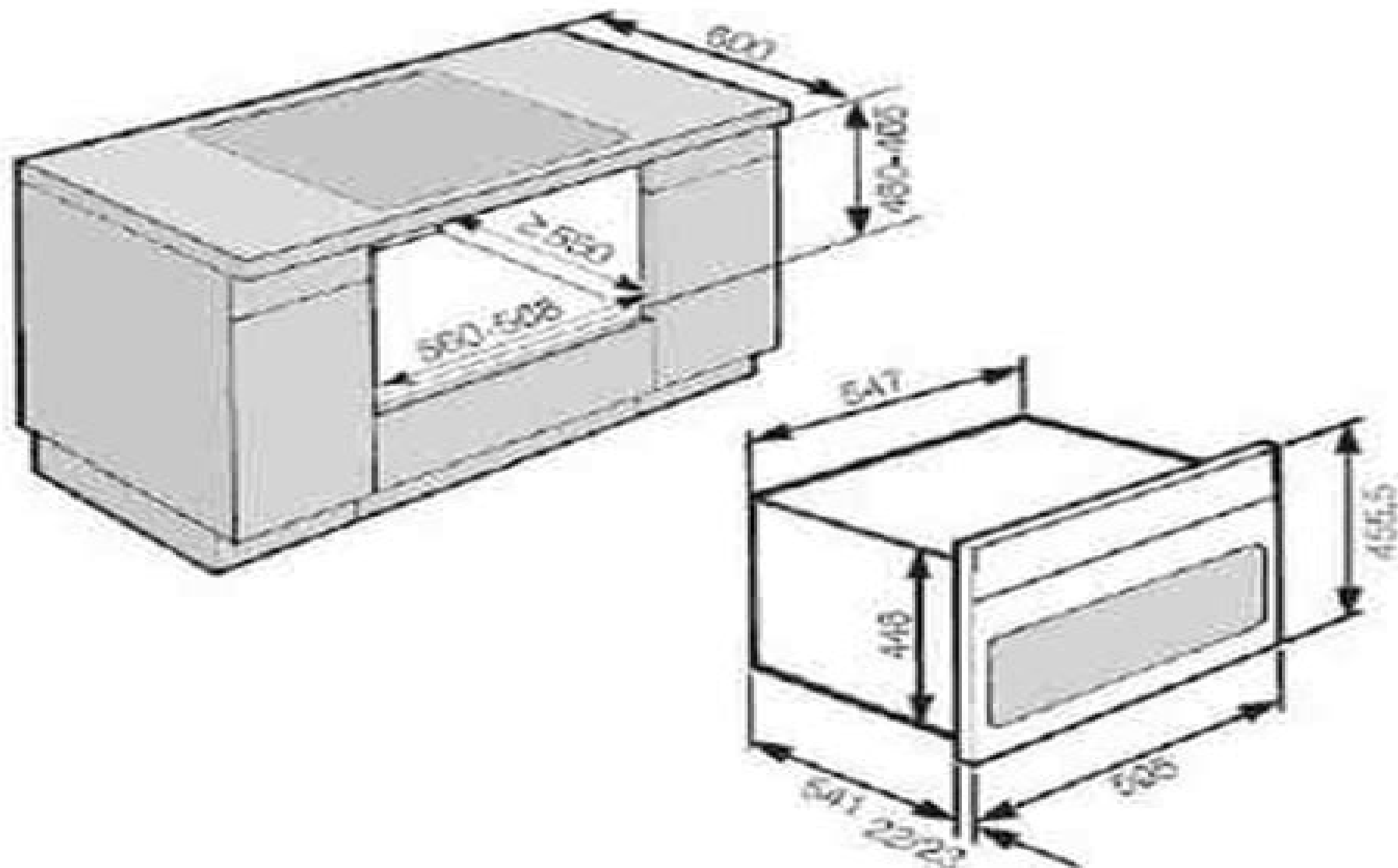


COMBIMAGNETRONS



H 5080 BM, H 5040 BM, H 5030 BM in onderkast

Miele Classic Oven Instruction Manual

Terry C. Jones



Miele Classic Oven Instruction Manual:

Home ,2006 Hospitality ,1997 **49th Porcelain Enamel Institute Technical Forum, Volume 9, Issue 5/6** John B. Wachtman,2009-09-28 This volume is part of the Ceramic Engineering and Science Proceeding CESP series This series contains a collection of papers dealing with issues in both traditional ceramics i e glass whitewares refractories and porcelain enamel and advanced ceramics Topics covered in the area of advanced ceramic include bioceramics nanomaterials composites solid oxide fuel cells mechanical properties and structural design advanced ceramic coatings ceramic armor porous ceramics and more **Finishing Industries** ,1979 American Laboratory ,2000 **New York** ,2007 **Bon Appétit** ,2002 **Los Angeles Magazine** ,2003-08 Los Angeles magazine is a regional magazine of national stature Our combination of award winning feature writing investigative reporting service journalism and design covers the people lifestyle culture entertainment fashion art and architecture and news that define Southern California Started in the spring of 1961 Los Angeles magazine has been addressing the needs and interests of our region for 48 years The magazine continues to be the definitive resource for an affluent population that is intensely interested in a lifestyle that is uniquely Southern Californian **Iron and Steel Engineer** ,1987 Contains the proceedings of the Association Better Homes and Gardens ,1999 **Built-under Electric Double Oven and Grill ZHQ 575** Zanussi,2002 This is an instruction manual for the Zanussi ZHQ 575 double oven and grill **WO-18A "Masterpiece" Oven** ,1960 **Prima Home Bakery ABM 8** Prima,2001 Instruction manual and recipes for the Prima home bakery ABM8

Enjoying the Tune of Phrase: An Mental Symphony within **Miele Classic Oven Instruction Manual**

In a world eaten by displays and the ceaseless chatter of immediate connection, the melodic splendor and psychological symphony developed by the written term often diminish into the backdrop, eclipsed by the relentless noise and interruptions that permeate our lives. But, set within the pages of **Miele Classic Oven Instruction Manual** a wonderful fictional treasure overflowing with raw emotions, lies an immersive symphony waiting to be embraced. Crafted by an elegant composer of language, this charming masterpiece conducts visitors on an emotional trip, well unraveling the concealed melodies and profound influence resonating within each carefully constructed phrase. Within the depths of the moving assessment, we shall investigate the book is main harmonies, analyze their enthralling writing fashion, and surrender ourselves to the profound resonance that echoes in the depths of readers souls.

<https://staging.conocer.cide.edu/public/detail/default.aspx/How%20Much%20Car%20Can%20I%20Buy.pdf>

Table of Contents Miele Classic Oven Instruction Manual

1. Understanding the eBook Miele Classic Oven Instruction Manual
 - The Rise of Digital Reading Miele Classic Oven Instruction Manual
 - Advantages of eBooks Over Traditional Books
2. Identifying Miele Classic Oven Instruction Manual
 - Exploring Different Genres
 - Considering Fiction vs. Non-Fiction
 - Determining Your Reading Goals
3. Choosing the Right eBook Platform
 - Popular eBook Platforms
 - Features to Look for in an Miele Classic Oven Instruction Manual
 - User-Friendly Interface
4. Exploring eBook Recommendations from Miele Classic Oven Instruction Manual
 - Personalized Recommendations

- Miele Classic Oven Instruction Manual User Reviews and Ratings
- Miele Classic Oven Instruction Manual and Bestseller Lists
- 5. Accessing Miele Classic Oven Instruction Manual Free and Paid eBooks
 - Miele Classic Oven Instruction Manual Public Domain eBooks
 - Miele Classic Oven Instruction Manual eBook Subscription Services
 - Miele Classic Oven Instruction Manual Budget-Friendly Options
- 6. Navigating Miele Classic Oven Instruction Manual eBook Formats
 - ePub, PDF, MOBI, and More
 - Miele Classic Oven Instruction Manual Compatibility with Devices
 - Miele Classic Oven Instruction Manual Enhanced eBook Features
- 7. Enhancing Your Reading Experience
 - Adjustable Fonts and Text Sizes of Miele Classic Oven Instruction Manual
 - Highlighting and Note-Taking Miele Classic Oven Instruction Manual
 - Interactive Elements Miele Classic Oven Instruction Manual
- 8. Staying Engaged with Miele Classic Oven Instruction Manual
 - Joining Online Reading Communities
 - Participating in Virtual Book Clubs
 - Following Authors and Publishers Miele Classic Oven Instruction Manual
- 9. Balancing eBooks and Physical Books Miele Classic Oven Instruction Manual
 - Benefits of a Digital Library
 - Creating a Diverse Reading Collection Miele Classic Oven Instruction Manual
- 10. Overcoming Reading Challenges
 - Dealing with Digital Eye Strain
 - Minimizing Distractions
 - Managing Screen Time
- 11. Cultivating a Reading Routine Miele Classic Oven Instruction Manual
 - Setting Reading Goals Miele Classic Oven Instruction Manual
 - Carving Out Dedicated Reading Time
- 12. Sourcing Reliable Information of Miele Classic Oven Instruction Manual
 - Fact-Checking eBook Content of Miele Classic Oven Instruction Manual

- Distinguishing Credible Sources
- 13. Promoting Lifelong Learning
 - Utilizing eBooks for Skill Development
 - Exploring Educational eBooks
- 14. Embracing eBook Trends
 - Integration of Multimedia Elements
 - Interactive and Gamified eBooks

Miele Classic Oven Instruction Manual Introduction

In this digital age, the convenience of accessing information at our fingertips has become a necessity. Whether its research papers, eBooks, or user manuals, PDF files have become the preferred format for sharing and reading documents. However, the cost associated with purchasing PDF files can sometimes be a barrier for many individuals and organizations. Thankfully, there are numerous websites and platforms that allow users to download free PDF files legally. In this article, we will explore some of the best platforms to download free PDFs. One of the most popular platforms to download free PDF files is Project Gutenberg. This online library offers over 60,000 free eBooks that are in the public domain. From classic literature to historical documents, Project Gutenberg provides a wide range of PDF files that can be downloaded and enjoyed on various devices. The website is user-friendly and allows users to search for specific titles or browse through different categories. Another reliable platform for downloading Miele Classic Oven Instruction Manual free PDF files is Open Library. With its vast collection of over 1 million eBooks, Open Library has something for every reader. The website offers a seamless experience by providing options to borrow or download PDF files. Users simply need to create a free account to access this treasure trove of knowledge. Open Library also allows users to contribute by uploading and sharing their own PDF files, making it a collaborative platform for book enthusiasts. For those interested in academic resources, there are websites dedicated to providing free PDFs of research papers and scientific articles. One such website is Academia.edu, which allows researchers and scholars to share their work with a global audience. Users can download PDF files of research papers, theses, and dissertations covering a wide range of subjects. Academia.edu also provides a platform for discussions and networking within the academic community. When it comes to downloading Miele Classic Oven Instruction Manual free PDF files of magazines, brochures, and catalogs, Issuu is a popular choice. This digital publishing platform hosts a vast collection of publications from around the world. Users can search for specific titles or explore various categories and genres. Issuu offers a seamless reading experience with its user-friendly interface and allows users to download PDF files for offline reading. Apart from dedicated platforms, search engines also play a crucial role in finding free PDF files. Google, for instance, has an advanced

search feature that allows users to filter results by file type. By specifying the file type as "PDF," users can find websites that offer free PDF downloads on a specific topic. While downloading Miele Classic Oven Instruction Manual free PDF files is convenient, it's important to note that copyright laws must be respected. Always ensure that the PDF files you download are legally available for free. Many authors and publishers voluntarily provide free PDF versions of their work, but it's essential to be cautious and verify the authenticity of the source before downloading Miele Classic Oven Instruction Manual. In conclusion, the internet offers numerous platforms and websites that allow users to download free PDF files legally. Whether it's classic literature, research papers, or magazines, there is something for everyone. The platforms mentioned in this article, such as Project Gutenberg, Open Library, Academia.edu, and Issuu, provide access to a vast collection of PDF files. However, users should always be cautious and verify the legality of the source before downloading Miele Classic Oven Instruction Manual any PDF files. With these platforms, the world of PDF downloads is just a click away.

FAQs About Miele Classic Oven Instruction Manual Books

How do I know which eBook platform is the best for me? Finding the best eBook platform depends on your reading preferences and device compatibility. Research different platforms, read user reviews, and explore their features before making a choice. Are free eBooks of good quality? Yes, many reputable platforms offer high-quality free eBooks, including classics and public domain works. However, make sure to verify the source to ensure the eBook credibility. Can I read eBooks without an eReader? Absolutely! Most eBook platforms offer webbased readers or mobile apps that allow you to read eBooks on your computer, tablet, or smartphone. How do I avoid digital eye strain while reading eBooks? To prevent digital eye strain, take regular breaks, adjust the font size and background color, and ensure proper lighting while reading eBooks. What the advantage of interactive eBooks? Interactive eBooks incorporate multimedia elements, quizzes, and activities, enhancing the reader engagement and providing a more immersive learning experience. Miele Classic Oven Instruction Manual is one of the best book in our library for free trial. We provide copy of Miele Classic Oven Instruction Manual in digital format, so the resources that you find are reliable. There are also many Ebooks of related with Miele Classic Oven Instruction Manual. Where to download Miele Classic Oven Instruction Manual online for free? Are you looking for Miele Classic Oven Instruction Manual PDF? This is definitely going to save you time and cash in something you should think about. If you trying to find then search around for online. Without a doubt there are numerous these available and many of them have the freedom. However without doubt you receive whatever you purchase. An alternate way to get ideas is always to check another Miele Classic Oven Instruction Manual. This method for see exactly what may be included and adopt these ideas to your book. This site will almost certainly help you save time and effort, money and stress. If you are looking for free

books then you really should consider finding to assist you try this. Several of Miele Classic Oven Instruction Manual are for sale to free while some are payable. If you arent sure if the books you would like to download works with for usage along with your computer, it is possible to download free trials. The free guides make it easy for someone to free access online library for download books to your device. You can get free download on free trial for lots of books categories. Our library is the biggest of these that have literally hundreds of thousands of different products categories represented. You will also see that there are specific sites catered to different product types or categories, brands or niches related with Miele Classic Oven Instruction Manual. So depending on what exactly you are searching, you will be able to choose e books to suit your own need. Need to access completely for Campbell Biology Seventh Edition book? Access Ebook without any digging. And by having access to our ebook online or by storing it on your computer, you have convenient answers with Miele Classic Oven Instruction Manual To get started finding Miele Classic Oven Instruction Manual, you are right to find our website which has a comprehensive collection of books online. Our library is the biggest of these that have literally hundreds of thousands of different products represented. You will also see that there are specific sites catered to different categories or niches related with Miele Classic Oven Instruction Manual So depending on what exactly you are searching, you will be able to choose ebook to suit your own need. Thank you for reading Miele Classic Oven Instruction Manual. Maybe you have knowledge that, people have search numerous times for their favorite readings like this Miele Classic Oven Instruction Manual, but end up in harmful downloads. Rather than reading a good book with a cup of coffee in the afternoon, instead they juggled with some harmful bugs inside their laptop. Miele Classic Oven Instruction Manual is available in our book collection an online access to it is set as public so you can download it instantly. Our digital library spans in multiple locations, allowing you to get the most less latency time to download any of our books like this one. Merely said, Miele Classic Oven Instruction Manual is universally compatible with any devices to read.

Find Miele Classic Oven Instruction Manual :

how much car can i buy

[how to change a serpentine belt on a 2007 nissan altima](#)

how to delete songs from ipod touch using itunes

~~how to change fiat dobro oil filter~~

how to create bootable pendrive for windows xp

~~how to change a headlight in a 2005 ford focus~~

[how to become a memory master how to s book 14](#)

[how to drive a standard for dummies](#)

how to change a headlight on a 2001 volkswagen beetle

[how to find the diameter of a circle](#)

[how to connect wii fit board to wii](#)

how to convert word doc to in word 2007

how to charge a car audio capacitor without a resistor

how to bypass 1991 cadillac el dorado

~~how much is a quart~~

Miele Classic Oven Instruction Manual :

Collections Close Reader: Grade 11 - 1st Edition Our resource for Collections Close Reader: Grade 11 includes answers to chapter exercises, as well as detailed information to walk you through the process step ... Collections: Grade 11 - 1st Edition - Solutions and Answers Find step-by-step solutions and answers to Collections: Grade 11 - 9780544569546, as well as thousands of textbooks so you can move forward with confidence. Collections Close Reader Grade 11 Teacher Edition Active and engaged learning with a blended digital and print approach · Balance of complex texts with collections of fiction, nonfiction, and informational ... Collections Close Reader Student Edition Grade 11 Collections Close Reader Student Edition Grade 11 ; Format: Softcover, 160 Pages ; ISBN-13/EAN: 9780544091191 ; ISBN-10: 0544091191 ; Product Code: 1538262 ... Close Reader Student Edition Grade 11 (Collections) Lowest Price in this set of products ; This item: Close Reader Student Edition Grade 11 (Collections). Holt Mcdougal. 4.6 out of 5 stars 34. Paperback. \$7.37\$7.37. Close Reader Grade 11 Close Reader Grade 11. Answers To Journeys Readers Notebook Grade 4 - YUMPU. Only 11 left in stock - order soon. Close Reader Answers Read Book Houghton Mifflin Harcourt Close Reader Answer Key Collections Close Reader ... Collections Close Reader Grade 11 Answers is additionally useful. What ... Collections Close Reader Grade 10 Answers Collections Close Reader Grade 10 Answers. Collections Close Reader Grade 10 AnswersThe Accelerated Reading program offers students reading programs based ... Resources in Education 1977 Buick Regal Market There are 41 1977 Buick Regal for sale right now - Follow the Market and get notified with new listings and sale prices. 9 1977 used Buick Regal cars Find Buick Regal at the best price. We have 9 cars for sale for 1977 buick regal, from just \$6700. ... 1977 Porsche 924 Coupe Orange RWD Manual Black. Sylacauga. Used 1977 Buick Regal for Sale in Longmont, CO Browse the best September 2023 deals on 1977 Buick Regal vehicles for sale in Longmont, CO. Save \$3817 right now on a 1977 Buick Regal on CarGurus. 1977 Buick Regal for Sale Near Me Search 1977 Buick Regal for Sale Near Me to find the best deals. iSeeCars.com analyzes prices of 10 million used cars daily. Owner's Manual 1977 Buick Century Regal Find many great new & used options and get the best deals for Owner's Manual 1977 Buick Century Regal at the best online prices at eBay! Buick Regal Classic Cars for Sale -

Classics on Autotrader Buick Regal Classic cars for sale near you by classic car dealers and private sellers on Classics on Autotrader. 1977 Buick Regal For Sale ... Vehicle Condition. Excellent. Fair. Good. Mint. Project. Transmission. Auto. Manual. Unspecified. Location. US. Canada. International. Distance. 50 Miles. from. 1977 BUICK REGAL FOR SALE \$8500 O.B.O. 1977 BUICK REGAL FOR SALE \$8500 O.B.O.. all original car 350 4bbl v8 a/t p/s p/b ... Buick Regal · Auction Sites · Owners Manuals · Indianapolis · Fleet · Classic ... 1977 Buick Regal Landau For Sale - Affordable Classics 1977 Buick Regal Landau for sale by Affordable Classics Motorcars. Our classic cars for sale are unique high quality cars you will be proud ... Top Level > Texts > Men's Magazines: 1970s and Beyond Magazines (1) Men's Magazine (55) Men's Magazines (1,148) Men's Magazines, Erotic, Adult, Magazine, British Magazine (7) Men's Magazines, Erotic, Adult, ... Men are lost. Here's a map out of the wilderness. Young men who disappear into online forums, video games or pornography see none of the social or personal rewards of meeting these goals ... The TIME Magazine Vault Check out the online archives of TIME Magazine: complete coverage since 1923 of world news, politics, entertainment, science, health, history, business and ... BRIDGING THE DIGITAL GENDER DIVIDE Recognising that gender equality is essential for ensuring that men and women can contribute fully for the betterment of societies and economies at large, G20 ... GQ: Men's Fashion, Style, Grooming, Fitness, Lifestyle, News ... The latest tips and advice for men on style, grooming, fitness, best products, travel destinations and more. Find politics, sports and entertainment news. Wikipedia:List of online newspaper archives This is a list of online newspaper archives and some magazines and journals, including both free and pay wall blocked digital archives. PLOS ONE Correction: Clinical efficacy and safety of interferon (Type I and Type III) therapy in patients with COVID-19: A systematic review and meta-analysis of ... The New Yorker Reporting, Profiles, breaking news, cultural coverage, podcasts, videos, and cartoons from The New Yorker. New York Magazine New York Magazine obsessively chronicles the ideas, people, and cultural events that are forever reshaping our world. The BMJ: Leading Medical Research, News, Education, Opinion High impact medical journal. Champion of better research, clinical practice & healthcare policy since 1840. For GPs, hospital doctors, educators, ...