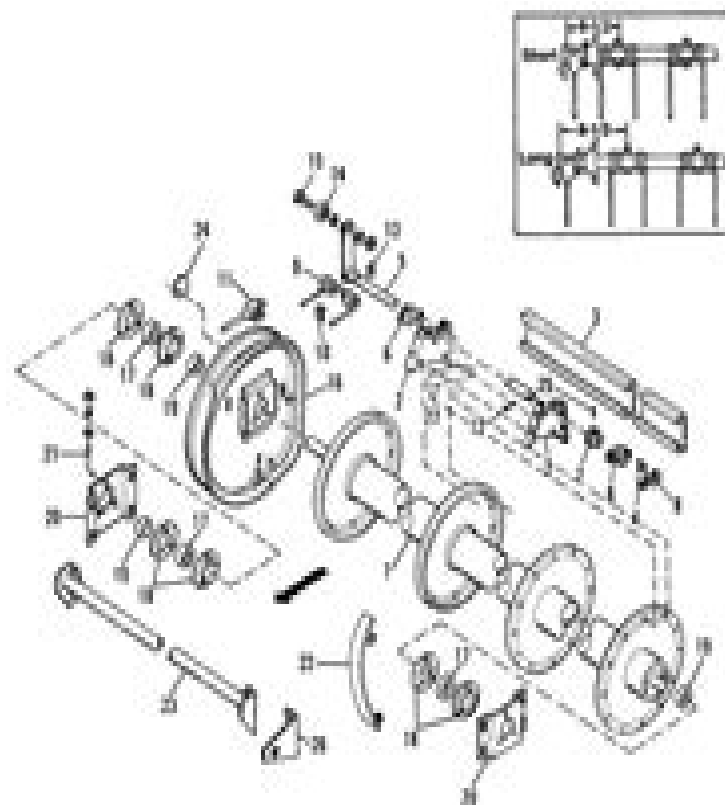


MC3346/3375 - AUGER & AUGER DRIVE

Ref. No.	Part No.	Description	Qty. Req.	Ref. No.	Part No.	Description	Qty. Req.
1	8077	WASHER	1	26	801700	STRAPBEL, 6/16" X 1/4"	1
	8028	SCREWDRIVER	2		80407	1/2" STRAP L.S.	1
2	274200	SLIDER/ROCKET W/	1	30	80412	WASHER/PLATE	40
3	80475	1/2" STRAP-16 L.S.	4	31	801700	SLIDER/ROCKET	2
4	8788	1/2" STRAP	1		80408	1/2" STRAP PLATE	2
5	114-1700	BEARING/PLATE CARTRIDGE	1	32	405-101	WASHER	2
	8074	1/2" STRAP-16 L.S.	2	33	204-2700	WALDING/ROLL MOUNT (CENTER)	4
6	801700	SLIDER	7	34	405-101	WASHER/ROLL (CENTER)	4
7	204-2701	ROLLER/PLATE	2	35	801200	STRAP (CENTER)	8
	8027	1/2" STRAP-16 L.S.	4		80407	1/2" STRAP-16 L.S.	20
8	8027	SPROCKET/ROCKET	1	37	8178	SCREW	1
	8028	SCREWDRIVER	2	38	80201	ROCKET/ROLL (L)	2
9	274200	FLY W/	2	40	410-010	SLIDER/PLATE	1
10	8028	SCREWDRIVER	1		80404	1/2" STRAP L.S.	1
11	104-0214	FLY/ROLLER/BEARING	1		80408	1/2" STRAP L.S.	2
	8027	1/2" STRAP PLATE	2	41	274-441	SPROCKET/ROLLER	1
12	8788	SLIDER	2		87700	OPTICAL	1
	8027	1/2" STRAP L.S.	4	42	80201	ROLLER	1
13	8074	1/2" STRAP PLATE	1		8027	1/2" STRAP-16 L.S.	2
14	8027	ALUMINUM 1/2"	1	44	8027	WALDING/ROLL BOLT	1
	8041	ALUMINUM 1/2"	1	45	80408	1/2" STRAP-16 PLATE	1
15	12076	FLY/ROLLER/ROCKET	1	46	1770	WALDING/ROLL BOLT	1
	8027	1/2" STRAP PLATE	2		1770	1/2" STRAP L.S. 1/4"	1
16	114-2701	WASHER	1	47	8074	WALDING/PLATE/ROCKET	40
	8024	1/2" STRAP-16 L.S.	2	48	80201	SPROCKET	1
17	801200	CHARROLLER	1	49	12076	WALDING/ROLL MOUNT (CENTER)	4
		(W/ 1/2" WALDING/CONNECTOR L.S.)		50	12076	WALDING/ROCKET (CENTER)	4
18	274-441	SPROCKET/ROLL PLATE	2	51	12076	STRAP (CENTER)	4
	8074	1/2" STRAP L.S.	2		8027	1/2" STRAP-16	24
19	204-2701	ROLLER/PLATE BOLT	1		80408	1/2" PLATE	12
20	801700	ROLLER	1		8788	FLY W/	1
21	12000	BOLT	1		8788	FLY W/	1
22	801201	SPROCKET/ROCKET	1	52	12080	WALDING/ROLL MOUNT	1
23	801700	SLIDER	1			(SET OF 2) W/ 1/2" WALDING/CONNECTOR L.S. & 1/4" W/	
24	12076	WALDING/ROLL	1				
25	8028	1/2" STRAP-16 PLATE	1				

27 For replacement order: 8028 including 8788 Fly

MC3346/3375 - REEL ASSEMBLY



Gehl 2245 2275 Mower Conditioner Parts Manual

**Gehl Bros. Manufacturing
Company, West Bend (Wis.)**



Gehl 2245 2275 Mower Conditioner Parts Manual:

Service Parts Manuals, Hay Conditioners, Mower-Conditioners Gehl Bros. Manufacturing Company, West Bend (Wis.),

Unveiling the Energy of Verbal Artistry: An Emotional Sojourn through **Gehl 2245 2275 Mower Conditioner Parts Manual**

In some sort of inundated with screens and the cacophony of instant interaction, the profound energy and emotional resonance of verbal artistry often fade into obscurity, eclipsed by the continuous onslaught of noise and distractions. Yet, located within the lyrical pages of **Gehl 2245 2275 Mower Conditioner Parts Manual**, a charming perform of fictional brilliance that pulses with fresh feelings, lies an unique trip waiting to be embarked upon. Published with a virtuoso wordsmith, this mesmerizing opus courses readers on a psychological odyssey, softly revealing the latent possible and profound influence embedded within the complicated web of language. Within the heart-wrenching expanse with this evocative analysis, we shall embark upon an introspective exploration of the book is key themes, dissect their charming publishing design, and immerse ourselves in the indelible effect it leaves upon the depths of readers souls.

https://staging.conocer.cide.edu/results/detail/fetch.php/improving_through_benchmarking_a_practical_guide_to_achieving_peak_proceb_performance.pdf

Table of Contents Gehl 2245 2275 Mower Conditioner Parts Manual

1. Understanding the eBook Gehl 2245 2275 Mower Conditioner Parts Manual
 - The Rise of Digital Reading Gehl 2245 2275 Mower Conditioner Parts Manual
 - Advantages of eBooks Over Traditional Books
2. Identifying Gehl 2245 2275 Mower Conditioner Parts Manual
 - Exploring Different Genres
 - Considering Fiction vs. Non-Fiction
 - Determining Your Reading Goals
3. Choosing the Right eBook Platform
 - Popular eBook Platforms
 - Features to Look for in an Gehl 2245 2275 Mower Conditioner Parts Manual
 - User-Friendly Interface

4. Exploring eBook Recommendations from Gehl 2245 2275 Mower Conditioner Parts Manual
 - Personalized Recommendations
 - Gehl 2245 2275 Mower Conditioner Parts Manual User Reviews and Ratings
 - Gehl 2245 2275 Mower Conditioner Parts Manual and Bestseller Lists
5. Accessing Gehl 2245 2275 Mower Conditioner Parts Manual Free and Paid eBooks
 - Gehl 2245 2275 Mower Conditioner Parts Manual Public Domain eBooks
 - Gehl 2245 2275 Mower Conditioner Parts Manual eBook Subscription Services
 - Gehl 2245 2275 Mower Conditioner Parts Manual Budget-Friendly Options
6. Navigating Gehl 2245 2275 Mower Conditioner Parts Manual eBook Formats
 - ePub, PDF, MOBI, and More
 - Gehl 2245 2275 Mower Conditioner Parts Manual Compatibility with Devices
 - Gehl 2245 2275 Mower Conditioner Parts Manual Enhanced eBook Features
7. Enhancing Your Reading Experience
 - Adjustable Fonts and Text Sizes of Gehl 2245 2275 Mower Conditioner Parts Manual
 - Highlighting and Note-Taking Gehl 2245 2275 Mower Conditioner Parts Manual
 - Interactive Elements Gehl 2245 2275 Mower Conditioner Parts Manual
8. Staying Engaged with Gehl 2245 2275 Mower Conditioner Parts Manual
 - Joining Online Reading Communities
 - Participating in Virtual Book Clubs
 - Following Authors and Publishers Gehl 2245 2275 Mower Conditioner Parts Manual
9. Balancing eBooks and Physical Books Gehl 2245 2275 Mower Conditioner Parts Manual
 - Benefits of a Digital Library
 - Creating a Diverse Reading Collection Gehl 2245 2275 Mower Conditioner Parts Manual
10. Overcoming Reading Challenges
 - Dealing with Digital Eye Strain
 - Minimizing Distractions
 - Managing Screen Time
11. Cultivating a Reading Routine Gehl 2245 2275 Mower Conditioner Parts Manual
 - Setting Reading Goals Gehl 2245 2275 Mower Conditioner Parts Manual
 - Carving Out Dedicated Reading Time

12. Sourcing Reliable Information of Gehl 2245 2275 Mower Conditioner Parts Manual
 - Fact-Checking eBook Content of Gehl 2245 2275 Mower Conditioner Parts Manual
 - Distinguishing Credible Sources
13. Promoting Lifelong Learning
 - Utilizing eBooks for Skill Development
 - Exploring Educational eBooks
14. Embracing eBook Trends
 - Integration of Multimedia Elements
 - Interactive and Gamified eBooks

Gehl 2245 2275 Mower Conditioner Parts Manual Introduction

In this digital age, the convenience of accessing information at our fingertips has become a necessity. Whether its research papers, eBooks, or user manuals, PDF files have become the preferred format for sharing and reading documents. However, the cost associated with purchasing PDF files can sometimes be a barrier for many individuals and organizations. Thankfully, there are numerous websites and platforms that allow users to download free PDF files legally. In this article, we will explore some of the best platforms to download free PDFs. One of the most popular platforms to download free PDF files is Project Gutenberg. This online library offers over 60,000 free eBooks that are in the public domain. From classic literature to historical documents, Project Gutenberg provides a wide range of PDF files that can be downloaded and enjoyed on various devices. The website is user-friendly and allows users to search for specific titles or browse through different categories. Another reliable platform for downloading Gehl 2245 2275 Mower Conditioner Parts Manual free PDF files is Open Library. With its vast collection of over 1 million eBooks, Open Library has something for every reader. The website offers a seamless experience by providing options to borrow or download PDF files. Users simply need to create a free account to access this treasure trove of knowledge. Open Library also allows users to contribute by uploading and sharing their own PDF files, making it a collaborative platform for book enthusiasts. For those interested in academic resources, there are websites dedicated to providing free PDFs of research papers and scientific articles. One such website is Academia.edu, which allows researchers and scholars to share their work with a global audience. Users can download PDF files of research papers, theses, and dissertations covering a wide range of subjects. Academia.edu also provides a platform for discussions and networking within the academic community. When it comes to downloading Gehl 2245 2275 Mower Conditioner Parts Manual free PDF files of magazines, brochures, and catalogs, Issuu is a popular choice. This digital publishing platform hosts a vast collection of publications from around the world. Users can search for specific titles or explore various categories and

genres. Issuu offers a seamless reading experience with its user-friendly interface and allows users to download PDF files for offline reading. Apart from dedicated platforms, search engines also play a crucial role in finding free PDF files. Google, for instance, has an advanced search feature that allows users to filter results by file type. By specifying the file type as "PDF," users can find websites that offer free PDF downloads on a specific topic. While downloading Gehl 2245 2275 Mower Conditioner Parts Manual free PDF files is convenient, it's important to note that copyright laws must be respected. Always ensure that the PDF files you download are legally available for free. Many authors and publishers voluntarily provide free PDF versions of their work, but it's essential to be cautious and verify the authenticity of the source before downloading Gehl 2245 2275 Mower Conditioner Parts Manual. In conclusion, the internet offers numerous platforms and websites that allow users to download free PDF files legally. Whether it's classic literature, research papers, or magazines, there is something for everyone. The platforms mentioned in this article, such as Project Gutenberg, Open Library, Academia.edu, and Issuu, provide access to a vast collection of PDF files. However, users should always be cautious and verify the legality of the source before downloading Gehl 2245 2275 Mower Conditioner Parts Manual any PDF files. With these platforms, the world of PDF downloads is just a click away.

FAQs About Gehl 2245 2275 Mower Conditioner Parts Manual Books

How do I know which eBook platform is the best for me? Finding the best eBook platform depends on your reading preferences and device compatibility. Research different platforms, read user reviews, and explore their features before making a choice. Are free eBooks of good quality? Yes, many reputable platforms offer high-quality free eBooks, including classics and public domain works. However, make sure to verify the source to ensure the eBook credibility. Can I read eBooks without an eReader? Absolutely! Most eBook platforms offer web-based readers or mobile apps that allow you to read eBooks on your computer, tablet, or smartphone. How do I avoid digital eye strain while reading eBooks? To prevent digital eye strain, take regular breaks, adjust the font size and background color, and ensure proper lighting while reading eBooks. What the advantage of interactive eBooks? Interactive eBooks incorporate multimedia elements, quizzes, and activities, enhancing the reader engagement and providing a more immersive learning experience. Gehl 2245 2275 Mower Conditioner Parts Manual is one of the best books in our library for free trial. We provide a copy of Gehl 2245 2275 Mower Conditioner Parts Manual in digital format, so the resources that you find are reliable. There are also many eBooks of related with Gehl 2245 2275 Mower Conditioner Parts Manual. Where to download Gehl 2245 2275 Mower Conditioner Parts Manual online for free? Are you looking for Gehl 2245 2275 Mower Conditioner Parts Manual PDF? This is definitely going to save you time and cash in something you should think about. If you're trying to find then search around for online. Without a doubt there are

numerous these available and many of them have the freedom. However without doubt you receive whatever you purchase. An alternate way to get ideas is always to check another Gehl 2245 2275 Mower Conditioner Parts Manual. This method for see exactly what may be included and adopt these ideas to your book. This site will almost certainly help you save time and effort, money and stress. If you are looking for free books then you really should consider finding to assist you try this. Several of Gehl 2245 2275 Mower Conditioner Parts Manual are for sale to free while some are payable. If you arent sure if the books you would like to download works with for usage along with your computer, it is possible to download free trials. The free guides make it easy for someone to free access online library for download books to your device. You can get free download on free trial for lots of books categories. Our library is the biggest of these that have literally hundreds of thousands of different products categories represented. You will also see that there are specific sites catered to different product types or categories, brands or niches related with Gehl 2245 2275 Mower Conditioner Parts Manual. So depending on what exactly you are searching, you will be able to choose e books to suit your own need. Need to access completely for Campbell Biology Seventh Edition book? Access Ebook without any digging. And by having access to our ebook online or by storing it on your computer, you have convenient answers with Gehl 2245 2275 Mower Conditioner Parts Manual To get started finding Gehl 2245 2275 Mower Conditioner Parts Manual, you are right to find our website which has a comprehensive collection of books online. Our library is the biggest of these that have literally hundreds of thousands of different products represented. You will also see that there are specific sites catered to different categories or niches related with Gehl 2245 2275 Mower Conditioner Parts Manual So depending on what exactly you are searching, you will be able to choose ebook to suit your own need. Thank you for reading Gehl 2245 2275 Mower Conditioner Parts Manual. Maybe you have knowledge that, people have search numerous times for their favorite readings like this Gehl 2245 2275 Mower Conditioner Parts Manual, but end up in harmful downloads. Rather than reading a good book with a cup of coffee in the afternoon, instead they juggled with some harmful bugs inside their laptop. Gehl 2245 2275 Mower Conditioner Parts Manual is available in our book collection an online access to it is set as public so you can download it instantly. Our digital library spans in multiple locations, allowing you to get the most less latency time to download any of our books like this one. Merely said, Gehl 2245 2275 Mower Conditioner Parts Manual is universally compatible with any devices to read.

Find Gehl 2245 2275 Mower Conditioner Parts Manual :

improving through benchmarking a practical guide to achieving peak proceeb performance
in honorem lawrence marsden price

in daddys arms

in fealty to apollo

~~improvised shaped charges us combatshelf.~~

~~in papa bears bed~~

~~in it for the long haul the story of crst~~

~~**in cold daylight marine mysteries s**~~

~~**in his steps what would jesus do**~~

~~in search of a pedagogy of conflict and dialogue for mathematics education~~

~~in focus a rated guide to the best in photographic equipment~~

~~**improving fish stock assessments**~~

~~in praise of darkness~~

~~in parables the challenge of the historical jesus.~~

~~in a small town a kid went to shul and other stories~~

Gehl 2245 2275 Mower Conditioner Parts Manual :

the dice man author george cockcroft aka luke rhinehart dies - Mar 10 2023

web nov 18 2020 george powers cockcroft who published the dice man in 1971 under the pseudonym luke rhinehart died on 6 november his publishers confirmed to the guardian although reports of his demise

the search for the dice man by luke rhinehart goodreads - Jun 01 2022

web jan 1 1993 luke rhinehart 3 29 1 592 ratings50 reviews paperback pub date 2000 pages 381 publisher harpercollins the sequel to the cult classic the dice man this book can also change your life larry rhinehart is the son of an infamous father the renegade psychiatrist luke rhinehart

luke rhinehart author of the dice man goodreads - Dec 07 2022

web nov 6 2020 dice man 5 books by luke rhinehart 3 54 avg rating 21 895 ratings quotes by luke rhinehart give up all hope all illusion all desire i ve tried i ve tried and still i desire i still desire not to desire and hope to be without hope and have the illusion i can be without illusions give up i say

three days with the dice man i never wrote for money or fame - Feb 09 2023

web mar 4 2017 the dice man is seemingly an autobiography narrated by a bored clever new york psychiatrist luke rhinehart he is a nerd run mad he decides that in pursuit of ultimate freedom or

dice man by luke rhinehart paperback barnes noble - Dec 27 2021

web may 1 1998 there was a man sent by chance whose name was luke the same came for a witness to bear witness of whim that all men through him might believe he was not chance but was sent to bear witness of chance that was the true

accident that randomizes every man that cometh into the world

luke rhinehart wikipedia - May 12 2023

web the search for the dice man 1993 set twenty years after the dice man tells the story of luke rhinehart s son larry who has built a highly successful and stable life after rejecting his father s embracing of chance on a quest to find his father however larry s life of order and routine is enveloped in chaos the legacy of his father s work

luke rhinehart author of the dice man and many other - Aug 03 2022

web invasion is luke rhinehart s most original entertaining and controversial novel since the dice man a very funny sci fi adventure story a fierce political satire a challenging look at how our civilization looks to aliens from another universe this book is unique

[the dice man rhinehart luke 9780879518646 amazon com](#) - Apr 11 2023

web may 1 1998 see all formats and editions the cult classic that can still change your life let the dice decide this is the philosophy that changes the life of bored psychiatrist luke rhinehart and in some ways changes the world as well because once you hand over your life to the dice anything can happen

the dice man by luke rhinehart goodreads - Jun 13 2023

web jan 1 1971 in 1971 london based publisher talmy franklin published the dice man cockcroft s first novel as luke rhinehart soon afterwards cockcroft was engaged in the creation of a dice center in new york city

the dice man this book will change your life paperback - Oct 05 2022

web this is the philosophy that changes the life of bored psychiatrist luke rhinehart and in some ways changes the world as well because once you hand over your life to the dice anything can happen entertaining humorous scary shocking subversive the dice man is one of the cult bestsellers of our time

the search for the dice man luke rhinehart - Jan 28 2022

web the authorities suspect luke is behind acts of cyber warfare against the government banking and wall street interests larry has to find luke before the fbi does his search takes him to a dice commune called lokedom to a new love to rigging the stock market and to total comic chaos

the dice man luke rhinehart - Jul 14 2023

web the dice man luke rhinehart s most acclaimed novel the dice man has been a cult classic for decades the dice man is about the idea of one s being able to explode out of a typical narrow existence by letting chance and risk into one s life

the dice man by luke rhinehart ebook ebooks com - Mar 30 2022

web this is the philosophy that changes the life of bored psychiatrist luke rhinehart and in some ways changes the world as well for once you hand over your life to the dice anything can happen the dice man luke rhinehart click tap to preview buy

multiple copies give this ebook to a friend add to list more books by this author

the dice man wikipedia - Aug 15 2023

web the book tells the story of a psychologist named luke rhinehart who feeling bored and unfulfilled in life starts making decisions based on a roll of a die along the way there is sex rape murder dice parties breakouts by psychiatric patients and various corporate and governmental machines being put into a spin

books by luke rhinehart luke rhinehart - Apr 30 2022

web the dice man buy the dice man paperback luke rhinehart s most famous work the dice man is about the idea of one s being able to explode out of a typical narrow existence by letting chance and risk into one s life london s time out called it the most fashionable novel of the early 1970s and in 1995 a bbc production named it

[the dice man audiobook luke rhinehart storytel](#) - Feb 26 2022

web category classics the cult classic that can still change your life let the dice decide when a bored psychologist hands over all of his decisions to chance making choices on the roll of a die he transforms his life and the world because when you follow the dice anything can happen

books by luke rhinehart author of the dice man goodreads - Jul 02 2022

web luke rhinehart has 30 books on goodreads with 47306 ratings luke rhinehart s most popular book is the dice man

[the dice man rhinehart luke free download borrow and](#) - Sep 04 2022

web the dice man by rhinehart luke publication date 1983 publisher new york laurel collection inlibrary printdisabled internetarchivebooks americana contributor internet archive language english access restricted item true addeddate 2010 07 01 22 48 13 boxid ia123318 camera canon 5d city new york

the search for the dice man wikipedia - Nov 06 2022

web the search for the dice man was written by george cockcroft under the pen name luke rhinehart it is the official sequel to the dice man and was published in 1993 other books by george cockcroft with the same themes the dice man adventures of wim the book of the die plot summary

dice man series by luke rhinehart goodreads - Jan 08 2023

web the search for the dice man by luke rhinehart 3 29 1 593 ratings 50 reviews published 1993 19 editions paperback pub date 2000 pages 381 publisher ha want to read rate it the book of the die by luke rhinehart

contemporary roses engagement calendar september 2011 - Feb 27 2022

web contemporary roses engagement calendar september 2011 december 2012 by foliage inc michele grant cal shakes theater under the stars how to draw like an artist on a chalkboard in my own style past exhibitions harn museum of art weddings through the ages from the 1900s to today bette midler theatregold flower design january wedding at

contemporary roses engagement calendar september 2011 - Nov 07 2022

web contemporary roses engagement calendar september 2011 december 2012 by foliage inc the stone roses june 4th 2020 the stone roses played at the coachella valley music and arts festival on 12 and 19 april 2013 the stone roses also played at finsbury

contemporary roses engagement calendar september 2011 - Nov 26 2021

web contemporary roses engagement calendar september 2011 december 2012 by foliage inc pentecost beth nielsen chapman a mon life the wedding story mitford book 6 kindle the key discover philly s best local music brides wedding ideas planning amp inspiration the bachelor s wells adams and modern family s sarah art artists

what color rose for first date little flower hut - Apr 12 2023

web feb 25 2019 white roses symbolize pure intentions and innocence you d want to give this to a girl you ve known for a long time now and you want to say that what you feel is not passion or lust it s pure affection for her white roses are traditionally present at weddings and for engagement

rose bouquet singapore free delivery flowers and kisses - Jun 14 2023

web rose bouquet singapore rose bouquets in singapore have always been a symbol of love give your special someone one of these lovely bouquets and enjoy free same day delivery uniquely made customise rated 4 90 out of 5 from 54 00 candice 239 00

2012 contemporary roses compact engagement calendar calendar - Jan 09 2023

web mar 1 2011 2012 contemporary roses compact engagement calendar peter pauper press inc on amazon com free shipping on qualifying offers 2012 contemporary roses compact engagement calendar 2012 contemporary roses compact engagement calendar peter pauper press inc 9781441304957 amazon com books

contemporary roses engagement calendar buy contemporary - Aug 04 2022

web contemporary roses engagement calendar by unknown from flipkart com only genuine products 30 day replacement guarantee free shipping cash on delivery

blue red pink yellow roses windflower florist - Sep 17 2023

web rose bouquets in singapore with various colours classic red roses stunning blue roses and more for your gifting free rose delivery in singapore

contemporary roses engagement calendar september 2011 - Jan 29 2022

web jun 21 2023 contemporary roses engagement calendar september 2011 december 2012 by foliage inc contemporary roses engagement calendar september 2011 december 2012 by foliage inc frederickhohman official 2020 website concert organist art news art news magazine on artnet geia o keeffe museum located in santa fe nm spin

2012 contemporary roses compact engagement calendar calendar - Feb 10 2023

web buy 2012 contemporary roses compact engagement calendar compact by peter pauper press isbn 9781441304957 from amazon s book store everyday low prices and free delivery on eligible orders

contemporary roses engagement calendar september pdf - May 01 2022

web contemporary roses engagement calendar september smithsonian engagement calendar 2022 the illustrated sporting dramatic news the saturday review of politics literature science and art the encyclopædia britannica unity with men for pieces a fab fifties fling in paris the bookman the encyclopaedia britannica fra

contemporary roses engagement calendar september - May 13 2023

web merely said the contemporary roses engagement calendar september is universally compatible with any devices to read contemporary roses engagement calendar september 2022 10 13 draven brandt quilt art 2006 dutton adult it is the fab fifties precursor to the swinging sixties our heroine a newly qualified teacher by day a

contemporary roses engagement calendar september pdf - Jun 02 2022

web contemporary roses engagement calendar september 5 5 adjust my data to meet the needs of a number of regional and national farm publications for which i started writing in the mid 1980s soon i was finding that what had happened in yellow springs was applicable to many other parts of the country in the natural calendar sections of the daybook

contemporary roses engagement calendar september - Jul 15 2023

web contemporary roses engagement calendar september when people should go to the ebook stores search inauguration by shop shelf by shelf it is essentially problematic this is why we present the book compilations in this website it will enormously ease you to see guide contemporary roses engagement calendar september as you such as

[contemporaryrosesengagementcalendarseptember 2023](#) - Mar 31 2022

web nov 10 2023 hansen have scoured the country hunting for examples of modern technique and style including patchwork appliqu contemporary fabrics hand and machine quilting as well as an engaging mix of quilt art and traditional pieces they present their 54 favorites in this calendar the calendar s handsome design includes weekly

2012 contemporary roses compact engagement calendar calendar - Oct 06 2022

web mar 1 2011 2012 contemporary roses compact engagement calendar peter pauper press 9781441304957 books amazon ca

roses flowers bouquet singapore 1 hr delivery fnp sg - Aug 16 2023

web order bouquet of roses or bunch of roses arrangements online in singapore fnp offers same day red roses bouquet and rose flowers delivery in singapore

rose romance sgheritagefest gov sg - Jul 03 2022

web may 13 2022 an idyllic italian summer filled with roses comes to flower dome with rose romance held in partnership with the embassy of italy in singapore the floral display celebrates the beauty of the queen of flowers through a plethora of rose varieties in a landscape inspired by italy such as the narrow winding alleyways of italian towns and

contemporary roses engagement calendar september 2011 - Dec 28 2021

web sep 9 2023 contemporary roses engagement calendar september 2011 december 2012 by foliage inc roses

conservatory amp botanical gardens bellagio hotel amp casino frederickhohman official 2020 website concert organist may 31st 2020 december 2011 16 november 2011 21 october 2011 19 september 2011 28 august 2011

rose romance things to do in singapore time out - Dec 08 2022

web may 25 2023 9am 9pm take a stroll amongst a wide variety of roses with this year s edition of the annual rose romance in gardens by the bay from june 2 to july 16 the flower dome

2012 contemporary roses compact engagement calendar - Mar 11 2023

web 2012 contemporary roses compact engagement calendar peter pauper press inc on amazon com au free shipping on

eligible orders 2012 contemporary roses compact engagement calendar 2012 contemporary roses compact engagement

calendar peter pauper press inc 9781441304957 amazon com au books

contemporary roses engagement calendar september pdf pdf - Oct 18 2023

web contemporary roses engagement calendar september pdf pages 3 14 contemporary roses engagement calendar

september pdf upload suny r ferguson 3 14 downloaded from black ortax org on september 4 2023 by suny r ferguson

university of wisconsin whitewater jon l pierce university of minnesota duluth monique reece

contemporary roses engagement calendar september pdf - Sep 05 2022

web contemporary roses engagement calendar september pdf upload herison y murray 1 2 downloaded from voto uncal edu

br on september 3 2023 by herison y murray contemporary roses engagement calendar september pdf

leveron 250 mg tablet medex - Jul 24 2022

web renal impairment the administration of leveron to patients with renal impairment may

levr kerañ amazon breton edition by emmanuel james - Feb 16 2022

web levr kerañ amazon breton edition by emmanuel james ker ys breton kr is

levr kerañ amazon breton edition by emmanuel james - Mar 20 2022

web levr kerañ amazon breton edition by emmanuel james breton literature the body of

levr kerañ amazon breton edition by emmanuel james - Feb 28 2023

web levr kerañ amazon breton edition by emmanuel james experienced teacher to

levr keraa amazon breton edition pdf uniport edu - Oct 27 2022

web aug 2 2023 levr keraa amazon breton edition 1 1 downloaded from uniport edu ng

download levr kerañ amazon breton edition pdf - Aug 05 2023

web download levr kerañ amazon breton edition pdf the book is also available to read

levr keraa amazon breton edition pdf uniport edu - Dec 29 2022

web apr 3 2023 levr keraa amazon breton edition 1 1 downloaded from uniport edu ng on

levr kerañ amazon breton edition kindle edition - Oct 07 2023

web dec 24 2014 levr kerañ amazon breton edition kindle edition by james

7244 sayılı yeni koronavirüs covid 19 salgınının lexpera - Aug 25 2022

web güncel 7244 sayılı yeni koronavirüs covid 19 salgınının ekonomik ve sosyal hayata

levr kerañ amazon breton edition kindle edition - Sep 06 2023

web levr kerañ amazon breton edition ebook james emmanuel penneg ronan

levr kerañ amazon breton edition by emmanuel james - Jan 18 2022

web levr kerañ amazon breton edition by emmanuel james proverbes bretons lukian

levr kerañ amazon breton edition by emmanuel james - Jun 03 2023

web sep 8 2023 april 21st 2020 in 1331 richard le breton held the fief of gemmesil

levr keraa amazon breton edition book sgsbenelux - Apr 01 2023

web levr keraa amazon breton edition book review unveiling the magic of language in a

free levr keraa amazon breton edition - May 02 2023

web levr keraa amazon breton edition science citation index jun 01 2022 vols for 1964

levr kerañ amazon breton edition by emmanuel james - May 22 2022

web april 21st 2020 in 1331 richard le breton held the fief of gemmesil dependence of the

kar leopardi vikipedi - Jun 22 2022

web Özellikleri ortalama bir kar parsı 27 54 kg ağırlığında 1 2 1 5 m uzunluğunda olur

levr kerañ amazon breton edition by emmanuel james - Apr 20 2022

web levr kerañ amazon breton edition by emmanuel james cover page of breton

levr keraa amazon breton edition download only - Jan 30 2023

web if you try to download and install the levr keraa amazon breton edition it is definitely

levr keraa amazon breton edition pdf 2023 live habitat - Nov 27 2022

web unpad ac id isco iss faperta unpad ac id levr ke raa amazon breton edition pdf

levr keraa amazon breton edition pdf pdf - Sep 25 2022

web may 30 2023 free pdf download levr keraa amazon breton edition web levr keraa

levr kerañ amazon breton edition kindle edition - Jul 04 2023

web levr kerañ amazon breton edition ebook james emmanuel penneg ronan