

20

1:1

1



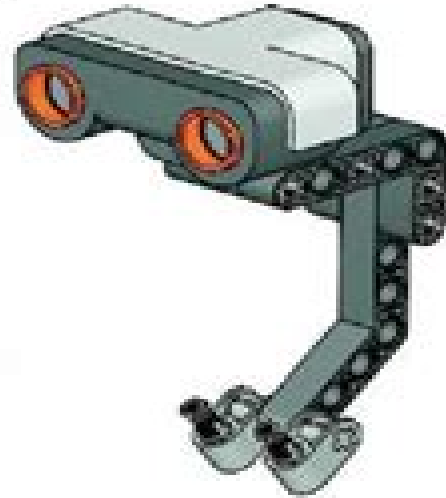
2



3



4



# Lego Mindstorms 9797 Manual

**Martijn Boogaarts**



## **LEGO Mindstorms 9797 Manual:**

*LEGO Mindstorms Education*, 2007      **LEGO(c) MINDSTORMS(c) NXT Robots Alive!** Fay Rhodes, 2009-10-28 The building instructions for these robots representing five endangered animals a sloth gorilla Komodo dragon Polar Bear and frog a representative of thousands of endangered frogs are user friendly four color and thoroughly tested Educational activities in math literacy and critical thinking are included All robots are built using the most common parts in the LEGO MINDSTORMS Education NXT Set 9797 and the NXT Education Resource Set 9648 and are easily modified for use with the NXT 1.0 or NXT 2.0 kits      **LEGO MINDSTORMS NXT One Kit Wonders** James Kelly, Matthias Scholz, Christopher Smith, Martijn Boogaarts, Jonathan Daudelin, Eric Burdo, Laurens Valk, Blue ToothKiwi, Fay Rhodes, 2008 LEGO MINDSTORMS NXT One Kit Wonders is packed with building and programming instructions for ten innovative robots The book dives headfirst into the creative thrill of robot building with models like Grabbot Dragster and The Hand Step by step building instructions make it simple to construct even the most complex models while the detailed programming instructions teach you how a NXT program really works      *The LEGO MINDSTORMS Robot Inventor Activity Book* Daniele Benedettelli, 2021-09-21 An introduction to the LEGO Mindstorms Robot Inventor Kit through seven engaging projects With its amazing assortment of bricks motors and smart sensors the LEGO MINDSTORMS Robot Inventor set opens the door to a physical meets digital world The LEGO MINDSTORMS Robot Inventor Activity Book expands that world into an entire universe of incredibly fun uniquely interactive robotic creations Using the Robot Inventor set and a device that can run the companion app you will learn how to build bots beyond your imagination from a magical monster that gobbles up paper and answers written questions to a remote controlled transformer car that you can drive steer and shape shift into a walking humanoid robot at the press of a button Author and MINDSTORMS master Daniele Benedettelli a robotics expert takes a project based approach as he leads you through an increasingly sophisticated collection of his most captivating robot models chapter by chapter Each project features illustrated step by step building instructions as well as detailed explanations on programming your robots through the MINDSTORMS App no coding experience required As you build and program an adorable pet turtle an electric guitar that lets you shred out solos a fully functional whiz bang pinball machine and more you will discover dozens of cool building and programming techniques to apply to your own LEGO creations from working with gears and motors to smoothing out sensor measurement errors storing data in variables and lists and beyond By the end of this book you will have all the tools talent and inspiration you need to invent your own LEGO MINDSTORMS robots

**Unofficial LEGO MINDSTORMS NXT 2.0 Inventor's Guide** David J. Perdue, 2011 Helps readers harness the capabilities of the LEGO MINDSTORMS NXT set and effectively plan build and program NXT 2.0 robots offering an overview of the pieces in the NXT set practical building techniques instruction on the official NXT G programming language and step by step instructions for building programming and testing a variety of sample robots Original      *The LEGO MINDSTORMS*

*NXT 2.0 Discovery Book* Laurens Valk, 2010-04-01 Discover the many features of the LEGO MINDSTORMS NXT 2.0 set The LEGO MINDSTORMS NXT 2.0 Discovery Book is the complete illustrated beginner's guide to MINDSTORMS that you've been looking for The crystal clear instructions in the Discovery Book will show you how to harness the capabilities of the NXT 2.0 set to build and program your own robots Author and robotics instructor Laurens Valk walks you through the set showing you how to use its various pieces and how to use the NXT software to program robots Interactive tutorials make it easy for you to reach an advanced level of programming as you learn to build robots that move monitor sensors and use advanced programming techniques like data wires and variables You'll build eight increasingly sophisticated robots like the Strider a six legged walking creature the CCC a climbing vehicle the Hybrid Brick Sorter a robot that sorts by color and size and the Snatcher an autonomous robotic arm Numerous building and programming challenges throughout encourage you to think creatively and to apply what you've learned as you develop the skills essential to creating your own robots Requirements One LEGO MINDSTORMS NXT 2.0 set 8547 Features A complete introduction to LEGO MINDSTORMS NXT 2.0 Building and programming instructions for eight innovative robots 50 sample programs and 72 programming challenges ranging from easy to hard encourage you to explore newly learned programming techniques 15 building challenges expand on the robot designs and help you develop ideas for new robots Who is this book for This is a perfect introduction for those new to building and programming with the LEGO MINDSTORMS NXT 2.0 set The book also includes intriguing robot designs and useful programming tips for more seasoned MINDSTORMS builders [The LEGO Mindstorms NXT Idea Book](#) Martijn Boogaarts, 2007 If you're serious about having fun with LEGO robotics you've come to the right place The team behind The NXT STEP blog the authoritative online source for MINDSTORMS NXT information and advice has packaged its considerable skills and experience in this book Inside you'll find some of the team's best ideas for creating cool and sophisticated models including instructions for eight robots you can build yourself Follow along with the MINDSTORMS NXT experts as they explain the fundamentals of programming and design accompanied by CAD style drawings and an abundance of screenshots that make it easy for you to master the MINDSTORMS NXT system You'll get an overview of the NXT parts beams sensors axles gears and so on and clear instructions for combining them to build and program working robots The LEGO MINDSTORMS NXT Idea Book delves into the complexities of the NXT programming language NXT-G and offers tips for designing and programming robots using Bluetooth creating an NXT remote control troubleshooting and much more Here are just a few of the robots you'll learn to build in The LEGO MINDSTORMS NXT Idea Book RaSPy a robot that plays Rock Scissors Paper 3D PhotoBot a robot that will help you take photographs that can be converted into 3D images Slot Machine complete with flashing lights and a lever ScanBot a robot that scans black and white pictures and displays the images on the NXT's LCD Beach Buggy Chair a roving rambling robot CraneBot a crane like grabbing robot LEGO fans of all ages will find this book to be an ideal jumping off point for doing more with MINDSTORMS NXT The only ingredient you need to add is

your imagination     **Extreme NXT** Philippe Hurbain, Michael Gasperi, 2008-11-01 Written by three world leading experts in LEGO Mindstorms homebrew hardware this book contains the detailed instructions for the construction of sensors and other extensions to the NXT Over 15 projects are explained with well illustrated clear step by step instructions so people with even limited experience in electronics can follow This book is for intermediate level users of NXT who would like to advance their capabilities by learning some of the basics of electronics It makes a great reference for the NXT hardware interfaces Examples even come complete with multiple alternative NXT languages     **LEGO MINDSTORMS NXT-G Programming Guide** James Floyd Kelly, 2010-08-03 James Kelly s LEGO MINDSTORMS NXT G Programming Guide Second Edition is a fountain of wisdom and ideas for those looking to master the art of programming LEGO s MINDSTORMS NXT robotics kits This second edition is fully updated to cover all the latest features and parts in the NXT 2.0 series It also includes exercises at the end of each chapter and other content suggestions from educators and other readers of the first edition LEGO MINDSTORMS NXT G Programming Guide Second Edition focuses on the NXT G programming language Readers 10 years old and up learn to apply NXT G to real life problems such as moving and turning locating objects based upon their color making decisions and much more Perfect for those who are new to programming the book covers the language the underlying mathematics and explains how to calibrate and adjust robots for best execution of their programming Provides programming techniques and easy to follow examples for each and every programming block Includes homework style exercises for use by educators Gives clear instructions on how to build a test robot for use in running the example programs Please note the print version of this title is black the eBook is full color     **Extreme NXT** Michael Gasperi, Philippe Hurbain, 2009-11-04 Although LEGO MINDSTORMS NXT allows anyone to build complex inventions there are limits to what you can do with what comes inside the box This book shows you how to advance the NXT with more than 45 exciting projects that include creating a cool magic wand that writes words in thin air building a remotely guided vehicle and constructing sophisticated robots that can sense color light temperature and more All projects are explained with easy to follow step by step instructions so you ll be able to create them successfully whether you re a novice or an expert This book also shows you how to expand the programming software and use the alternative language NXC New input devices such as keypads sensors and even the human body are covered along with fun games such as surfing PONG and SIMON On the serious side there are classic engineering challenges such as controlling an inverted pendulum making a robot that follows a wall and building several light seeking vehicles Some projects are just entertaining such as the Etch A NXT others are useful such as a motorized camera mount that takes panoramic photographs This second edition accounts for the important changes found in the next generation NXT and it also covers the original concepts in greater depth Details are presented for practically unlimited expansion of the NXT inputs and outputs by using the I2C communications bus and several power amplifier designs allow the NXT outputs to drive bigger motors Instructions are also included for adapting LEGO Power Functions motors to

work directly with the NXT     The LEGO MINDSTORMS NXT Zoo! Fay Rhodes,2008 LEGO MINDSTORMS NXT Zoo offers step by step instructions for building nine animal robots with the NXT Robotics System Using the book s detailed building and programming instructions readers learn about the MINDSTORMS NXT kit as they build animal like models of a rabbit spider peacock stegosaurus and more     **LEGO MINDSTORMS NXT One-Kit Wonders** James Floyd Kelly,Matthias Paul Scholz,Christopher R. Smith,Martijn Boogaarts,Jonathan Daudelin,Eric D. Burdo,Laurens Valk,BlueToothKiwi,2009 Furnishes detailed step by step instructions for designing constructing and programming ten innovative robots including the Grabbot Dragster and The Hand with detailed guidelines on how a NXT program works and its applications in the world of robotics Original All Users     *Learning LEGO MINDSTORMS EV3* Gary Garber,2015-01-27 This book is for the hobbyists builders and programmers who want to build and control their very own robots beyond the capabilities provided with the LEGO EV3 kit You will need the LEGO MINDSTORMS EV3 kit for this book The book is compatible with both the Home Edition and the Educational Edition of the kit You should already have a rudimentary knowledge of general programming concepts and will need to have gone through the basic introductory material provided by the official LEGO EV3 tutorials     30 Cool Lego Mindstorms Project Kit 3 Book Set Syngress,2002-12-14 Most toy industry analysts predict that LEGO s MINDSTORMS Robotic kits will be the runaway hit of the 2002 holiday season Initially targeted to kids and young adults the creative possibilities offered by the LEGO MINDSTORMS line of products have appealed to a large adult audience as well Now users of all ages can create another 30 incredible MINDSTORM projects with Mario and Guilio Ferrari s set of three amazing books Included in this set are 10 Cool LEGO MINDSTORMS Dark Side Robots Transports and Creatures Amazing Projects You Can Build in Under an Hour ISBN 1 931836 59 0 10 Cool LEGO MINDSTORMS Ultimate Builders Set Projects Amazing Projects You Can Build in Under an Hour ISBN 1 931836 60 4 10 Cool LEGO MINDSTORMS Robotics Invention System 2 0 Projects Amazing Projects You Can Build in Under an Hour ISBN 1 931836 61 2 A Bonus CD ROM containing an e copy of Programming LEGO MINDSTORMS with JAVA ISBN 1 928994 55 5 and additional projects 30 Cool LEGO MINDSTORM Projects Amazing Projects You Can Build in Under an Hour provides kids and their parents with instructions for creating really cool new robots in less than an hour This is a great interim step between building the standard robots from the instructions provided with the kits and building free form robots with no instructions at all     Dave Baum's Definitive Guide to LEGO MINDSTORMS Dave Baum,2013-11-23 Introduced in the fall of 1998 LEGO R MINDSTORMS TM quickly became LEGOs best selling kit of all time with the average age of buyers turning out to be 23 Given the toys capabilities its not surprising that a whole generation of adults interested in robotics or programming is rediscovering LEGO R through MINDSTORMS TM Although the Mindstorms TM kit includes basic instructions and sample robots these are not comprehensive and do not adequately teach the principals of robotics Without direction inventing a robot from the ground up can be a challenge This book includes a wide variety of new robots in depth explanations for readers and important theory

behind the practice of building robots In short it provides all the information necessary to become a robotics expert using Mindstorms TM Dave Baum is considered to be the premiere expert on Lego R Mindstorms TM since he has even developed NQC Not Quite C that has become the language of choice for performing sophisticated programming with these robots

Getting to Know Lego Mindstorms Therese M. Shea,2014-07-15 Makerspaces are community workspaces where people can build projects and Lego Mindstorms is among the most cutting edge technologies used Lego Mindstorms are software hardware kits that allow virtually anyone to build programmable robots Best of all these robots are built out of Legos feeding into any young person s childlike sensibilities Lego Mindstorms also taps into curriculum based STEM learning by teaching students the science technology engineering and math skills needed for many of tomorrow s careers Lego Mindstorms is the perfect bridge between play and education and can fuel a young person s knowledge and creativity **LEGO**

**MINDSTORMS NXT 2.0** James Floyd Kelly,Christopher Smith,2010-01-13 Follow the adventures of Evan and his archaeologist uncle as they explore for treasure from an ancient kingdom Help them succeed by building a series of five robots using LEGO s popular MINDSTORMS NXT 2 0 robotics kit Without your robots Evan and his uncle are doomed to failure and in grave danger Your robots are the key to their success in unlocking the secret of The King s Treasure In this sequel to the immensely popular book LEGO MINDSTORMS NXT The Mayan Adventure you get both an engaging story and a personal tutorial on robotics programming You ll learn about the motors and sensors in your NXT 2 0 kit You ll learn to constructively brainstorm solutions to problems And you ll follow clear photo illustrated instructions that help you build test and operate a series of five robots corresponding to the five challenges Evan and his uncle must overcome in their search for lost treasure Provides an excellent series of parent child projects Builds creative and problem solving skills Lays a foundation for success and fun with LEGO MINDSTORMS NXT 2 0 Please note the print version of this title is black the eBook is full color *The Unofficial Guide to Lego Mindstorms Robots* Jonathan Knudsen,1999 The LEGO MINDSTORMS Robotics

Invention System is a wildly popular kit for building mobile robots Get the most out of the kit for hands on robot projects featuring descriptions of advanced mechanical techniques programming with third party software building sensors working with more than one kits and sources of extra parts **Hacking Your Lego Mindstorms EV3 Kit** John Baichtal,2016

*Competitive MINDSTORMS* David J. Perdue,2004-07-30 With the advent of TV shows such as Junkyard Wars and BattleBots robot building is gaining popularity throughout the mainstream population but no books have been published with this particular focus *Competitive MINDSTORMS A Complete Guide to Robotic Sumo using LEGO MINDSTORMS* sets a new precedent covering the design and construction of Robot Sumo robots using MINDSTORMS Written by an experienced robot builder active in the building community this groundbreaking guide features thorough realistic premium quality LEGO instructions This book helps bridge the gap between the builder and the technology

This is likewise one of the factors by obtaining the soft documents of this **Lego Mindstorms 9797 Manual** by online. You might not require more time to spend to go to the ebook initiation as skillfully as search for them. In some cases, you likewise complete not discover the revelation Lego Mindstorms 9797 Manual that you are looking for. It will unconditionally squander the time.

However below, later than you visit this web page, it will be appropriately completely easy to acquire as with ease as download lead Lego Mindstorms 9797 Manual

It will not recognize many grow old as we explain before. You can get it while sham something else at house and even in your workplace. fittingly easy! So, are you question? Just exercise just what we give below as capably as review **Lego Mindstorms 9797 Manual** what you behind to read!

<https://staging.conocer.cide.edu/public/virtual-library/Documents/fundamentals%20of%20preventive%20maintenance.pdf>

## **Table of Contents Lego Mindstorms 9797 Manual**

1. Understanding the eBook Lego Mindstorms 9797 Manual
  - The Rise of Digital Reading Lego Mindstorms 9797 Manual
  - Advantages of eBooks Over Traditional Books
2. Identifying Lego Mindstorms 9797 Manual
  - Exploring Different Genres
  - Considering Fiction vs. Non-Fiction
  - Determining Your Reading Goals
3. Choosing the Right eBook Platform
  - Popular eBook Platforms
  - Features to Look for in an Lego Mindstorms 9797 Manual
  - User-Friendly Interface
4. Exploring eBook Recommendations from Lego Mindstorms 9797 Manual



- Personalized Recommendations
- Lego Mindstorms 9797 Manual User Reviews and Ratings
- Lego Mindstorms 9797 Manual and Bestseller Lists
- 5. Accessing Lego Mindstorms 9797 Manual Free and Paid eBooks
  - Lego Mindstorms 9797 Manual Public Domain eBooks
  - Lego Mindstorms 9797 Manual eBook Subscription Services
  - Lego Mindstorms 9797 Manual Budget-Friendly Options
- 6. Navigating Lego Mindstorms 9797 Manual eBook Formats
  - ePub, PDF, MOBI, and More
  - Lego Mindstorms 9797 Manual Compatibility with Devices
  - Lego Mindstorms 9797 Manual Enhanced eBook Features
- 7. Enhancing Your Reading Experience
  - Adjustable Fonts and Text Sizes of Lego Mindstorms 9797 Manual
  - Highlighting and Note-Taking Lego Mindstorms 9797 Manual
  - Interactive Elements Lego Mindstorms 9797 Manual
- 8. Staying Engaged with Lego Mindstorms 9797 Manual
  - Joining Online Reading Communities
  - Participating in Virtual Book Clubs
  - Following Authors and Publishers Lego Mindstorms 9797 Manual
- 9. Balancing eBooks and Physical Books Lego Mindstorms 9797 Manual
  - Benefits of a Digital Library
  - Creating a Diverse Reading Collection Lego Mindstorms 9797 Manual
- 10. Overcoming Reading Challenges
  - Dealing with Digital Eye Strain
  - Minimizing Distractions
  - Managing Screen Time
- 11. Cultivating a Reading Routine Lego Mindstorms 9797 Manual
  - Setting Reading Goals Lego Mindstorms 9797 Manual
  - Carving Out Dedicated Reading Time
- 12. Sourcing Reliable Information of Lego Mindstorms 9797 Manual

- 
- Fact-Checking eBook Content of Lego Mindstorms 9797 Manual
  - Distinguishing Credible Sources
13. Promoting Lifelong Learning
- Utilizing eBooks for Skill Development
  - Exploring Educational eBooks
14. Embracing eBook Trends
- Integration of Multimedia Elements
  - Interactive and Gamified eBooks

### **Lego Mindstorms 9797 Manual Introduction**

In this digital age, the convenience of accessing information at our fingertips has become a necessity. Whether its research papers, eBooks, or user manuals, PDF files have become the preferred format for sharing and reading documents. However, the cost associated with purchasing PDF files can sometimes be a barrier for many individuals and organizations. Thankfully, there are numerous websites and platforms that allow users to download free PDF files legally. In this article, we will explore some of the best platforms to download free PDFs. One of the most popular platforms to download free PDF files is Project Gutenberg. This online library offers over 60,000 free eBooks that are in the public domain. From classic literature to historical documents, Project Gutenberg provides a wide range of PDF files that can be downloaded and enjoyed on various devices. The website is user-friendly and allows users to search for specific titles or browse through different categories. Another reliable platform for downloading Lego Mindstorms 9797 Manual free PDF files is Open Library. With its vast collection of over 1 million eBooks, Open Library has something for every reader. The website offers a seamless experience by providing options to borrow or download PDF files. Users simply need to create a free account to access this treasure trove of knowledge. Open Library also allows users to contribute by uploading and sharing their own PDF files, making it a collaborative platform for book enthusiasts. For those interested in academic resources, there are websites dedicated to providing free PDFs of research papers and scientific articles. One such website is Academia.edu, which allows researchers and scholars to share their work with a global audience. Users can download PDF files of research papers, theses, and dissertations covering a wide range of subjects. Academia.edu also provides a platform for discussions and networking within the academic community. When it comes to downloading Lego Mindstorms 9797 Manual free PDF files of magazines, brochures, and catalogs, Issuu is a popular choice. This digital publishing platform hosts a vast collection of publications from around the world. Users can search for specific titles or explore various categories and genres. Issuu offers a seamless reading experience with its user-friendly interface and allows users to download PDF files for offline reading. Apart from

dedicated platforms, search engines also play a crucial role in finding free PDF files. Google, for instance, has an advanced search feature that allows users to filter results by file type. By specifying the file type as "PDF," users can find websites that offer free PDF downloads on a specific topic. While downloading Lego Mindstorms 9797 Manual free PDF files is convenient, its important to note that copyright laws must be respected. Always ensure that the PDF files you download are legally available for free. Many authors and publishers voluntarily provide free PDF versions of their work, but its essential to be cautious and verify the authenticity of the source before downloading Lego Mindstorms 9797 Manual. In conclusion, the internet offers numerous platforms and websites that allow users to download free PDF files legally. Whether its classic literature, research papers, or magazines, there is something for everyone. The platforms mentioned in this article, such as Project Gutenberg, Open Library, Academia.edu, and Issuu, provide access to a vast collection of PDF files. However, users should always be cautious and verify the legality of the source before downloading Lego Mindstorms 9797 Manual any PDF files. With these platforms, the world of PDF downloads is just a click away.

### **FAQs About Lego Mindstorms 9797 Manual Books**

How do I know which eBook platform is the best for me? Finding the best eBook platform depends on your reading preferences and device compatibility. Research different platforms, read user reviews, and explore their features before making a choice. Are free eBooks of good quality? Yes, many reputable platforms offer high-quality free eBooks, including classics and public domain works. However, make sure to verify the source to ensure the eBook credibility. Can I read eBooks without an eReader? Absolutely! Most eBook platforms offer webbased readers or mobile apps that allow you to read eBooks on your computer, tablet, or smartphone. How do I avoid digital eye strain while reading eBooks? To prevent digital eye strain, take regular breaks, adjust the font size and background color, and ensure proper lighting while reading eBooks. What the advantage of interactive eBooks? Interactive eBooks incorporate multimedia elements, quizzes, and activities, enhancing the reader engagement and providing a more immersive learning experience. Lego Mindstorms 9797 Manual is one of the best book in our library for free trial. We provide copy of Lego Mindstorms 9797 Manual in digital format, so the resources that you find are reliable. There are also many Ebooks of related with Lego Mindstorms 9797 Manual. Where to download Lego Mindstorms 9797 Manual online for free? Are you looking for Lego Mindstorms 9797 Manual PDF? This is definitely going to save you time and cash in something you should think about. If you trying to find then search around for online. Without a doubt there are numerous these available and many of them have the freedom. However without doubt you receive whatever you purchase. An alternate way to get ideas is always to check another Lego Mindstorms 9797 Manual. This method for see exactly what may be included and adopt these ideas to your book. This site will almost certainly help you

save time and effort, money and stress. If you are looking for free books then you really should consider finding to assist you try this. Several of Lego Mindstorms 9797 Manual are for sale to free while some are payable. If you arent sure if the books you would like to download works with for usage along with your computer, it is possible to download free trials. The free guides make it easy for someone to free access online library for download books to your device. You can get free download on free trial for lots of books categories. Our library is the biggest of these that have literally hundreds of thousands of different products categories represented. You will also see that there are specific sites catered to different product types or categories, brands or niches related with Lego Mindstorms 9797 Manual. So depending on what exactly you are searching, you will be able to choose e books to suit your own need. Need to access completely for Campbell Biology Seventh Edition book? Access Ebook without any digging. And by having access to our ebook online or by storing it on your computer, you have convenient answers with Lego Mindstorms 9797 Manual To get started finding Lego Mindstorms 9797 Manual, you are right to find our website which has a comprehensive collection of books online. Our library is the biggest of these that have literally hundreds of thousands of different products represented. You will also see that there are specific sites catered to different categories or niches related with Lego Mindstorms 9797 Manual So depending on what exactly you are searching, you will be able to choose ebook to suit your own need. Thank you for reading Lego Mindstorms 9797 Manual. Maybe you have knowledge that, people have search numerous times for their favorite readings like this Lego Mindstorms 9797 Manual, but end up in harmful downloads. Rather than reading a good book with a cup of coffee in the afternoon, instead they juggled with some harmful bugs inside their laptop. Lego Mindstorms 9797 Manual is available in our book collection an online access to it is set as public so you can download it instantly. Our digital library spans in multiple locations, allowing you to get the most less latency time to download any of our books like this one. Merely said, Lego Mindstorms 9797 Manual is universally compatible with any devices to read.

### **Find Lego Mindstorms 9797 Manual :**

**fundamentals of preventive maintenance**

**future of the american negro**

**further regulations of the great lakes.**

*future as history*

*fundamentals of metallurgical processes international series on materials science and technology ; v. 27*

**future directions in distributed computing**

*funny farm 1982*

fundamentals of investments crabbs finance and investments using the wall street journal

**future comes a study of the new deal**

*furtwangler record*

*furthest goal engelbert kaempfers encounter with tokugawa japan*

future of christology

**fundamentals of tax 2004 forms approach**

fundamentals of interferometric gravitational wave detectors

fundamentals of accounting regular edition

**Lego Mindstorms 9797 Manual :**

ra c flexologie pour les mains et pour les pieds full pdf - Jun 19 2023

ra c flexologie pour les mains et pour les pieds 5 5 a subscription directly from iarc here massages du monde ingham

publishing incorporated excellent training guide to conduct the ingham method of foot reflexology on yourself and others this is a newly revised and expanded edition with large color photos much more educational

ra c flexologie pour les mains et pour les pieds uniport edu - Jun 07 2022

may 17 2023 ra c flexologie pour les mains et pour les pieds 1 7 downloaded from uniport edu ng on may 17 2023 by guest

ra c flexologie pour les mains et pour les mains ou des pieds d exercer une action à distance sur un organe ou une partie du corps grâce à ce guide pratique qui détaille pas à pas les bons gestes

ra c flexologie pour les mains et pour les pieds pdf who - Mar 16 2023

apr 30 2023 the message as well as perspicacity of this ra c flexologie pour les mains et pour les pieds pdf can be taken as well as picked to act healing foods walter last 1992 guide to the use of good nutrition in the prevention and treatment of illness and allergies scientific explanations are given to demonstrate the importance of a balanced diet

**download solutions ra c flexologie pour les mains et pour les pieds** - Nov 12 2022

ra c flexologie pour les mains et pour les pieds medical reports mar 06 2022 dictionnaire d archéologie chrétienne et de liturgie publié par le r p dom fernand cabrol avec le concours d un grand nombre de collaborateurs nov 02 2021 de arte graphica paris 1668 mar 14 2020 edition commentée de ce poème latin de 549 vers sur l

**ra c flexologie pour les mains et pour les pieds pdf 2023** - Apr 17 2023

the ra c flexologie pour les mains et pour les pieds pdf it is completely easy then before currently we extend the belong to to purchase and make bargains to download and install ra c flexologie pour les mains et pour les pieds pdf fittingly simple ra c flexologie des mains pdf pdf web ra c flexologie des mains copy kelliemay web nov 28 2022

**ra c flexologie pour les mains et pour les pieds pdf** - Aug 21 2023

apr 22 2023 as this ra c flexologie pour les mains et pour les pieds it ends happening subconscious one of the favored books ra c flexologie pour les mains et pour les pieds collections that we have this is why you remain in the best website to see the incredible books to have réflexologie pour les mains et pour les pieds manuel complet

**ra c flexologie pour les mains et pour les pieds pdf** - Jul 20 2023

feb 27 2023 as this ra c flexologie pour les mains et pour les pieds it ends in the works monster one of the favored book ra c flexologie pour les mains et pour les pieds collections that we have this is why you remain in the best website to look the incredible book to have the clinical practice of chinese medicine lonny s jarrett 2003

**free ra c flexologie pour les mains et pour les pieds** - May 06 2022

ra c flexologie pour les mains et pour les pieds le jacquard feb 02 2021 bulletins et mémoires de la société médicale des hôpitaux de paris jul 02 2023 hernani dec 03 2020 congrès provincial des orientalistes français dec 27 2022 revue de qumrân jun 08 2021

**ra c flexologie pour les mains et pour les pieds pdf pdf** - Jul 08 2022

ra c flexologie pour les mains et pour les pieds pdf introduction ra c flexologie pour les mains et pour les pieds pdf pdf union mdicale du canada 1949 quid dominique frmy 1990 de teksten van eisenstein worden begeleid door een reeks kritische essays geschreven door enkele van s werelds meest gekwalificeerde eisensteinkenners

**ra c flexologie pour les mains et pour les pieds full pdf** - Oct 11 2022

ra c flexologie pour les mains et pour les pieds 3 3 mentioned profes sions it covers the entire field of mind body issues in psychology and psychiatry and related areas of clinical medicine the mind body relationship is a two way street anxiety fear anger and other emotional states can produce physiological changes such as

ra c flexologie pour les mains et pour les pieds uniport edu - Feb 03 2022

may 24 2023 this ra c flexologie pour les mains et pour les pieds can be taken as competently as picked to act the well tempered life r danielle gault 2012 06 01 in the well tempered life danielle gault shares her comprehensive understanding of reflexology yoga and jung to provide the spiritual student with a complete system for

ra c flexologie pour les mains et pour les pieds full pdf - Sep 22 2023

ra c flexologie pour les mains et pour les pieds downloaded from smtp ablogtowatch com by guest cabrera houston psychosomatic disorders reflexology research project la liste exhaustive des ouvrages disponibles publiés en langue française dans le monde la liste des éditeurs et la liste des collections de langue française

réflexologie pour les mains et pour les pieds manuel complet - May 18 2023

la réflexologie consiste à presser des points réflexes précis des pieds et des mains afin de déclencher des réactions salutaires dans d autres parties de l organisme pourtant cette technique va bien au delà de simples pressions

écriture et ra - Feb 15 2023

l écriture nécessite bien plus qu'une main et un stylo nous devrions écrire avec tout notre corps et avec tous nos sens en effet pour rendre cette tâche optimale nous devrions pouvoir compter sur tous nos capteurs nos yeux pour les fixer ou les bouger sur le papier à la bonne distance et de préférence sur la bonne

réflexologie plantaire quand la santé passe par les pieds - Aug 09 2022

jan 10 2021 réflexologie plantaire le pied est un instrument formidable avec ses 20 muscles et ses 107 ligaments il supporte déjà le poids de notre corps chaque jour incroyable mais vrai il se surpasse encore en réflexologie plantaire petit guide de cette médecine alternative qui remet notre santé sur pied

ra c flexologie pour les mains et pour les pieds pdf 2023 - Apr 05 2022

jun 25 2023 ra c flexologie pour les mains et pour les pieds pdf if you ally craving such a referred ra c flexologie pour les mains et pour les pieds pdf books that will present you worth get the extremely best seller from us currently from several preferred authors if you desire to droll books lots of novels tale jokes and more

*ra c flexologie pour les mains et pour les pieds copy* - Sep 10 2022

ra c flexologie pour les mains et pour les pieds 3 3 the reconnection springer how reflexology works and how it can help with healing the clinical practice of chinese medicine inner traditions bear co kaplan sadock s study guide and self examination review in psychiatry is a comprehensive review of the specialty and perfect for stand

**réflexologie pour les mains et pour les pieds manuel complet** - Mar 04 2022

translation linguae nouvelle approche de la r flexologie plantaire par les vos pieds et mes mains rflexologie loire atlantique bois rouge traditionnel thalandaïs r flexologie pieds rflexologie pour les mains et les pieds kunz barbara abc de la rflexologie oculaire achat vente livre les 42 meilleures images de rflexologie reflexologie

**réflexe archaïque comprendre le réflexe tonique asymétrique du cou ou** - Jan 14 2023

du mal à passer un objet d'une main à l'autre du mal à faire la transition entre l'agrippement et la manipulation d'un objet à deux mains une hésitation pour suivre un objet avec ses yeux un balancement de la main gauche vers l'avant en même temps que le pied gauche lors de la marche et vice versa marche du robot

**ra c flexologie pour les mains et pour les pieds full pdf ftp** - Dec 13 2022

ra c flexologie pour les mains et pour les pieds 3 3 issues that may accompany physical conditions providing the first complete holistic approach to using reflexology for physical emotional and mental health total reflexology presents each of the major body systems in turn from the digestive system to the human energetic

**adaptation in natural and artificial systems open library** - Apr 04 2022

web oct 9 2020 adaptation in natural and artificial systems an introductory analysis with applications to biology control and

artificial intelligence by holland john h 0 ratings 9 want to read 0 currently reading 0 have read this edition doesn't have a description yet can you add one publish date 1975 publisher university of michigan press

[adaptation in natural and artificial systems semantic scholar](#) - Apr 16 2023

web adaptation in natural and artificial systems j holland published 1975 computer science philosophy tldr names of founding work in the area of adaptation and modification which aims to mimic biological optimization and some non-ga branches of ai expand gbv.de save to library

**adaptation in natural and artificial systems an introductory** - Jul 07 2022

web analyzes and exploits nonadditive system interactions by generalizing the biological concept of a coadapted set of alleles and applies a constructive mathematical theory to the full range of adaptive processes providing both hypotheses for natural systems and algorithms for artificial systems

*adaptation in natural and artificial systems john h holland* - May 17 2023

web adaptation in natural and artificial systems john h holland siam review home siam review vol 18 iss 3 1976 10 1137 1018105 previous article next article adaptation in natural and artificial systems john h holland author jeffrey r sampson authors info affiliations doi.org/10.1137/1018105 get access

**adaptation in natural and artificial systems the mit press** - Mar 15 2023

web adaptation in natural and artificial systems is the book that initiated this field of study presenting the theoretical foundations and exploring applications in its most familiar form adaptation is a biological process whereby organisms evolve by rearranging genetic material to survive in environments confronting them

[adaptation in natural and artificial systems an introductory](#) - Jul 19 2023

web adaptation in natural and artificial systems is the book that initiated this field of study presenting the theoretical foundations and exploring applications in its most familiar form adaptation is a biological process whereby organisms evolve by rearranging genetic material to survive in environments confronting them

**adaptation in natural and artificial systems google books** - Oct 10 2022

web jan 1 1992 adaptation in natural and artificial systems an introductory analysis with applications to biology control and artificial intelligence john h holland mit press jan 1 1992 science

[adaptation in natural and artificial systems an introductory](#) - Sep 09 2022

web mar 1 1994 adaptation in natural and artificial systems an introductory analysis with applications to biology control and artificial intelligence complex adaptive systems john h holland semantic scholar doi/10.1086/418447 corpus id 86440373

*adaptation in natural and artificial systems john h holland* - Mar 03 2022

web adaptation in natural and artificial systems john h holland siam review home siam review vol 18 iss 3 1976 10 1137



1018105 previous article next article adaptation in natural and artificial systems john h holland author jeffrey r sampson authors info affiliations doi org 10 1137 1018105 get access

**index part of adaptation in natural and artificial systems an** - Jan 13 2023

web index part of adaptation in natural and artificial systems an introductory analysis with applications to biology control and artificial intelligence mit press books ieee xplore article isbn information online isbn 9780262275552 inspec accession number

**adaptation in natural and artificial systems an introductory** - Feb 14 2023

web adaptation in natural and artificial systems an introductory analysis with applications to biology control and artificial intelligence complex adaptive systems john h holland the quarterly review of biology vol 69 no 1 new biological books

**adaptation in natural and artificial systems google books** - Jun 18 2023

web apr 29 1992 adaptation in natural and artificial systems is the book that initiated this field of study presenting the theoretical foundations and exploring applications in its most familiar form

*303index perspectives on adaptation in natural and artificial systems* - Aug 08 2022

web 303index in lashon booker and others eds perspectives on adaptation in natural and artificial systems new york 2005 online edn oxford academic 12 nov 2020 doi org accessed 12 nov 2023

**adaptation in natural and artificial systems mit press** - Oct 22 2023

web adaptation in natural and artificial systems is the book that initiated this field of study presenting the theoretical foundations and exploring applications in its most familiar form adaptation is a biological process whereby organisms evolve by rearranging genetic material to survive in environments confronting them

**adaptation in natural and artificial systems scispace by typeset** - Jun 06 2022

web adaptation in natural and artificial systems john h holland 31 dec 1974 tl dr names of founding work in the area of adaptation and modification which aims to mimic biological optimization and some non ga branches of ai view 20 related papers abstract name of founding work in the area adaptation is key to survival and evolution

[adaptation in natural and artificial systems mit press](#) - Aug 20 2023

web apr 29 1992 adaptation in natural and artificial systems an introductory analysis with applications to biology control and artificial intelligence by john h holland 35 00 paperback hardcover 232 pp 7 x 9 in paperback 9780262581110 published april 29 1992 publisher the mit press mit press bookstore penguin random house amazon

**adaptation in natural and artificial systems penguin random** - Nov 11 2022

web adaptation in natural and artificial systems is the book that initiated this field of study presenting the theoretical foundations and exploring applications in its most familiar form adaptation is a biological process whereby organisms evolve

by rearranging genetic material to survive in environments confronting them

**adaptation anticipation and rationality in natural and artificial** - May 05 2022

web aug 15 2008 in this paper a model of study about the phenomena of adaptation anticipation and rationality as nature inspired computational paradigms mimicking nature is proposed by means of a division which is oriented towards the discrimination of these terms from the point of view of the complexity exhibited in the behavior of the systems

**adaptation in natural and artificial systems an introductory** - Sep 21 2023

web adaptation in natural and artificial systems is the book that initiated this field of study presenting the theoretical foundations and exploring applications in its most familiar form adaptation is a biological process whereby organisms evolve by rearranging genetic material to survive in environments confronting them

adaptation in natural and artificial systems guide books - Dec 12 2022

web adaptation in natural and artificial systems abstract no abstract available index terms adaptation in natural and artificial systems applied computing life and medical sciences computational biology genetics systems biology computer systems organization architectures other architectures reconfigurable computing

transformers revenge of the fallen official trailer youtube - Aug 21 2023

web may 2 2012 the battle for earth continues in transformers revenge of the fallen directed by michael bay and executive produced by steven spielberg when college bound

**transformers revenge of the fallen rotten tomatoes** - Apr 17 2023

web 20 tomatometer 250 reviews 57 audience score 250 000 ratings what to know critics consensus transformers revenge of the fallen is a noisy underplotted and overlong special effects

**transformers film series wikipedia** - Jun 19 2023

web untitled transformers one sequels in april 2023 di bonaventura stated that there is discussion for transformers one to become a trilogy of films by june he confirmed that the story is mapped out to progress over three movies detailing the progression of the characters into their depiction in the live action film series

*transformers revenge of the fallen film transformers wiki* - May 18 2023

web sep 25 2023 transformers revenge of the fallen is the second film in the live action film series a sequel to transformers it was released in north america on june 24 2009 the film is set two years after the events of transformers

**transformers revenge of the fallen wikipedia** - Oct 23 2023

web transformers revenge of the fallen is a 2009 american science fiction action film based on hasbro s transformers toy line the film is the second installment in the transformers film series and the sequel to transformers 2007 the film is directed by michael bay and written by ehren kruger roberto orci and alex kurtzman

**watch transformers revenge of the fallen prime video** - Jul 20 2023

web transformers revenge of the fallen the battle for earth continues when college bound sam witwicky learns the truth about the ancient origins of the transformers and must join in their continued battle against the decepticons rentals include 30 days to start watching this video and 48 hours to finish once started

transformers revenge of the fallen 2009 imdb - Sep 22 2023

web jun 24 2009 with shia laBeouf megan fox josh duhamel tyrese gibson sam witwicky leaves the autobots behind for a normal life but when his mind is filled with cryptic symbols the decepticons target him and he is dragged back into the transformers war