

English 1-5
Español Français Deutsch 6-19
**FOLLOW THESE STEPS TO SET UP
WALL AND MANTEL CLOCKS.**
• SETTING UP YOUR CLOCK

Located in the shipping carton with the clock will be a key to wind the clock. If provided on your model, the shipping carton may also include a pendulum and finial that are separately packed. Please keep all of the original packaging material.

WARNING: KEEP PLASTIC BAGS AND SMALL PARTS AWAY FROM CHILDREN.

Access to the clock movement and chimes is made through the back of the clock. Howard Miller uses a combination of rubber bands, foam, styrofoam, metal, and cardboard to secure the movement and chimes during shipping.

Cut rubber bands with scissors and discard.
DO NOT PULL ON THE RUBBER BANDS TO BREAK.

Remove foam, styrofoam, and cardboard from around the movement and chimes. When possible, pull in the direction shown to remove. (See figure 1 & 2)

For clocks with a pendulum, cut the rubber band or remove the metal spring clip from the back side of the movement by first pulling one end free. (See figure 2).

Open the front door and remove the white plastic insert holding the minute hand at the 2:00 location (this insert is not used on all models).

Follow the remaining instructions as they apply to your clock.

• FOR CLOCKS THAT HAVE A PENDULUM -

Follow these instructions for hanging pendulum.

NOTE: To perform the following steps, Howard Miller suggests wearing cotton gloves or using a soft cloth when handling parts.

Some pendulums have a colored protective plastic film covering the pendulum disk. Carefully remove this film before hanging the pendulum.

To hang the pendulum, locate the pendulum guide through the front door or back access panel. While holding the pendulum guide with one hand, slip the pendulum through the front door with your other hand. Place the pendulum hook over the pin or through the slot on the end of the pendulum guide, and lower the pendulum until it is hanging securely on the pendulum guide. (See figure 2).

• FOR CLOCKS THAT HAVE HANGING WEIGHTS -

Follow these instructions for hanging weights.

Do not remove the styrofoam blocks until after your clock has been operating for at least eight (8) hours.

Check the weights to ensure that they are tightly assembled. Check to make sure that the cable is in the cable pulley. Hang the weights on the pulley. (See figure 3).

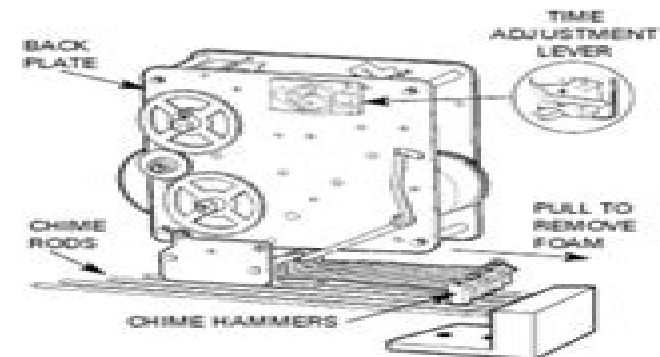
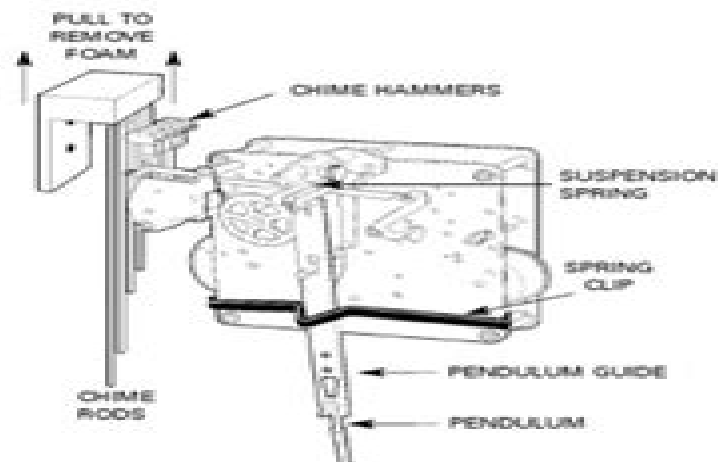

FIGURE 1

FIGURE 2

FIGURE 3

Howard Miller Clock Repair Manual

G Thomas



Howard Miller Clock Repair Manual:

Recognizing the pretentiousness ways to get this ebook **Howard Miller Clock Repair Manual** is additionally useful. You have remained in right site to begin getting this info. get the Howard Miller Clock Repair Manual colleague that we meet the expense of here and check out the link.

You could purchase lead Howard Miller Clock Repair Manual or get it as soon as feasible. You could speedily download this Howard Miller Clock Repair Manual after getting deal. So, considering you require the ebook swiftly, you can straight acquire it. Its appropriately utterly simple and correspondingly fats, isnt it? You have to favor to in this proclaim

<https://staging.conocer.cide.edu/files/browse/default.aspx/mercury%20sable%20repair%20manual.pdf>

Table of Contents Howard Miller Clock Repair Manual

1. Understanding the eBook Howard Miller Clock Repair Manual
 - The Rise of Digital Reading Howard Miller Clock Repair Manual
 - Advantages of eBooks Over Traditional Books
2. Identifying Howard Miller Clock Repair Manual
 - Exploring Different Genres
 - Considering Fiction vs. Non-Fiction
 - Determining Your Reading Goals
3. Choosing the Right eBook Platform
 - Popular eBook Platforms
 - Features to Look for in an Howard Miller Clock Repair Manual
 - User-Friendly Interface
4. Exploring eBook Recommendations from Howard Miller Clock Repair Manual
 - Personalized Recommendations
 - Howard Miller Clock Repair Manual User Reviews and Ratings
 - Howard Miller Clock Repair Manual and Bestseller Lists
5. Accessing Howard Miller Clock Repair Manual Free and Paid eBooks

- Howard Miller Clock Repair Manual Public Domain eBooks
 - Howard Miller Clock Repair Manual eBook Subscription Services
 - Howard Miller Clock Repair Manual Budget-Friendly Options
6. Navigating Howard Miller Clock Repair Manual eBook Formats
 - ePub, PDF, MOBI, and More
 - Howard Miller Clock Repair Manual Compatibility with Devices
 - Howard Miller Clock Repair Manual Enhanced eBook Features
 7. Enhancing Your Reading Experience
 - Adjustable Fonts and Text Sizes of Howard Miller Clock Repair Manual
 - Highlighting and Note-Taking Howard Miller Clock Repair Manual
 - Interactive Elements Howard Miller Clock Repair Manual
 8. Staying Engaged with Howard Miller Clock Repair Manual
 - Joining Online Reading Communities
 - Participating in Virtual Book Clubs
 - Following Authors and Publishers Howard Miller Clock Repair Manual
 9. Balancing eBooks and Physical Books Howard Miller Clock Repair Manual
 - Benefits of a Digital Library
 - Creating a Diverse Reading Collection Howard Miller Clock Repair Manual
 10. Overcoming Reading Challenges
 - Dealing with Digital Eye Strain
 - Minimizing Distractions
 - Managing Screen Time
 11. Cultivating a Reading Routine Howard Miller Clock Repair Manual
 - Setting Reading Goals Howard Miller Clock Repair Manual
 - Carving Out Dedicated Reading Time
 12. Sourcing Reliable Information of Howard Miller Clock Repair Manual
 - Fact-Checking eBook Content of Howard Miller Clock Repair Manual
 - Distinguishing Credible Sources
 13. Promoting Lifelong Learning
 - Utilizing eBooks for Skill Development

- Exploring Educational eBooks
- 14. Embracing eBook Trends
 - Integration of Multimedia Elements
 - Interactive and Gamified eBooks

Howard Miller Clock Repair Manual Introduction

Free PDF Books and Manuals for Download: Unlocking Knowledge at Your Fingertips In today's fast-paced digital age, obtaining valuable knowledge has become easier than ever. Thanks to the internet, a vast array of books and manuals are now available for free download in PDF format. Whether you are a student, professional, or simply an avid reader, this treasure trove of downloadable resources offers a wealth of information, conveniently accessible anytime, anywhere. The advent of online libraries and platforms dedicated to sharing knowledge has revolutionized the way we consume information. No longer confined to physical libraries or bookstores, readers can now access an extensive collection of digital books and manuals with just a few clicks. These resources, available in PDF, Microsoft Word, and PowerPoint formats, cater to a wide range of interests, including literature, technology, science, history, and much more. One notable platform where you can explore and download free Howard Miller Clock Repair Manual PDF books and manuals is the internet's largest free library. Hosted online, this catalog compiles a vast assortment of documents, making it a veritable goldmine of knowledge. With its easy-to-use website interface and customizable PDF generator, this platform offers a user-friendly experience, allowing individuals to effortlessly navigate and access the information they seek. The availability of free PDF books and manuals on this platform demonstrates its commitment to democratizing education and empowering individuals with the tools needed to succeed in their chosen fields. It allows anyone, regardless of their background or financial limitations, to expand their horizons and gain insights from experts in various disciplines. One of the most significant advantages of downloading PDF books and manuals lies in their portability. Unlike physical copies, digital books can be stored and carried on a single device, such as a tablet or smartphone, saving valuable space and weight. This convenience makes it possible for readers to have their entire library at their fingertips, whether they are commuting, traveling, or simply enjoying a lazy afternoon at home. Additionally, digital files are easily searchable, enabling readers to locate specific information within seconds. With a few keystrokes, users can search for keywords, topics, or phrases, making research and finding relevant information a breeze. This efficiency saves time and effort, streamlining the learning process and allowing individuals to focus on extracting the information they need. Furthermore, the availability of free PDF books and manuals fosters a culture of continuous learning. By removing financial barriers, more people can access educational resources and pursue lifelong learning, contributing to personal growth and professional development. This democratization of knowledge promotes intellectual curiosity and

empowers individuals to become lifelong learners, promoting progress and innovation in various fields. It is worth noting that while accessing free Howard Miller Clock Repair Manual PDF books and manuals is convenient and cost-effective, it is vital to respect copyright laws and intellectual property rights. Platforms offering free downloads often operate within legal boundaries, ensuring that the materials they provide are either in the public domain or authorized for distribution. By adhering to copyright laws, users can enjoy the benefits of free access to knowledge while supporting the authors and publishers who make these resources available. In conclusion, the availability of Howard Miller Clock Repair Manual free PDF books and manuals for download has revolutionized the way we access and consume knowledge. With just a few clicks, individuals can explore a vast collection of resources across different disciplines, all free of charge. This accessibility empowers individuals to become lifelong learners, contributing to personal growth, professional development, and the advancement of society as a whole. So why not unlock a world of knowledge today? Start exploring the vast sea of free PDF books and manuals waiting to be discovered right at your fingertips.

FAQs About Howard Miller Clock Repair Manual Books

How do I know which eBook platform is the best for me? Finding the best eBook platform depends on your reading preferences and device compatibility. Research different platforms, read user reviews, and explore their features before making a choice. Are free eBooks of good quality? Yes, many reputable platforms offer high-quality free eBooks, including classics and public domain works. However, make sure to verify the source to ensure the eBook credibility. Can I read eBooks without an eReader? Absolutely! Most eBook platforms offer web-based readers or mobile apps that allow you to read eBooks on your computer, tablet, or smartphone. How do I avoid digital eye strain while reading eBooks? To prevent digital eye strain, take regular breaks, adjust the font size and background color, and ensure proper lighting while reading eBooks. What the advantage of interactive eBooks? Interactive eBooks incorporate multimedia elements, quizzes, and activities, enhancing the reader engagement and providing a more immersive learning experience. Howard Miller Clock Repair Manual is one of the best book in our library for free trial. We provide copy of Howard Miller Clock Repair Manual in digital format, so the resources that you find are reliable. There are also many Ebooks of related with Howard Miller Clock Repair Manual. Where to download Howard Miller Clock Repair Manual online for free? Are you looking for Howard Miller Clock Repair Manual PDF? This is definitely going to save you time and cash in something you should think about.

Find Howard Miller Clock Repair Manual :

mercury sable repair manual

mercury outboards 90 300 hp

messung 2015 plc cpu 2211 manual

mexican piedras recipe

mettler ae 160 manual

mercury pi945gem motherboard drivers for windows 7

mercury sport jet manual

mexican enchilata recipe

mercury thermostat manual

mercury villager 1999 repair manual

messiah love music and malice at a time of handel

mf 699 manual

mettler toledo jagxtreme terminal technical manual

mfc 820cw repair manual

metairie restraunt guide

Howard Miller Clock Repair Manual :

difficult conversations how to discuss what matters most - Jun 06 2023

web nov 2 2010 from the harvard negotiation project the organization that brought you getting to yes difficult conversations provides a step by step approach to having those tough conversations with less

difficult conversations 1999 by douglas stone bruce patton - Mar 23 2022

web jan 25 2022 difficult conversations 1999 by douglas stone bruce patton and sheila heen is a compilation of everyday examples of difficult conversations and tips to help manoeuver them it helps in analysing what makes some conversations difficult to have and why people tend to avoid them

difficult conversations by douglas stone open library - Mar 03 2023

web dec 17 2022 difficult conversations how to discuss what matters most by douglas stone bruce patton sheila heen and roger drummer fisher 4 33 3 ratings 65 want to read 2 currently reading 3 have read

difficult conversations 6 minute summary by alex chen - Feb 19 2022

web may 10 2019 difficult conversations 6 minute summary here are my key highlights taken from the book difficult conversations by douglas stone bruce patton and shelia heen you should read

difficult conversations book summary by douglas stone bruce - Apr 23 2022

web appendix ten common questions about difficult conversations exercise navigating the three conversations the most detailed book summary of difficult conversations by douglas stone bruce patton sheila heen get the main points of difficult conversations with shortform book summaries

difficult conversations how to discuss by stone douglas - Oct 30 2022

web from the harvard negotiation project the organization that brought you getting to yes difficult conversations provides a step by step approach to having those tough conversations with less stress and more success you ll learn how to decipher the underlying structure of every difficult conversation start a conversation without

difficult conversations by douglas stone bruce patton sheila - Aug 28 2022

web 1999 douglas stone bruce m patton sheila heen p 2023 penguin audio difficult conversations walks you through a proven concrete step by step approach for understanding and conducting tough conversations 2 out of 5 stars talking too much

difficult conversations how to discuss what matters most stone - Sep 28 2022

web no matter how competent we are we all have conversations that cause anxiety and frustration based on fifteen years of research at the harvard negotiation project difficult conversations walks you through a proven step by step approach for how to have your toughest conversations with less stress and more success

summary of difficult - Jul 07 2023

web conversations by douglas stone bruce patton sheila heen how to discuss what matters most written by bookey about the book from time to time in our daily lives we get into difficult conversations such as when we ask for a promotion or end a relationship such conversations though seemingly ordinary leave us

difficult conversations worksheet by douglas stone bruce - Oct 10 2023

web dec 11 2018 difficult conversations worksheet by douglas stone bruce patton sheila heen every difficult conversation consists of three conversations the what happened conversation the feeling conversation the identity conversation a the what happened conversation starts with wanting to deliver a message that

difficult conversations how to discuss by stone douglas - Feb 02 2023

web apr 1 2000 difficult conversations how to discuss what matters most stone douglas patton bruce heen sheila fisher roger on amazon com free shipping on qualifying offers difficult conversations how to discuss what matters most

paperback illustrated november 2 2010 amazon com - Apr 04 2023

web nov 2 2010 difficult conversations written by douglas stone bruce patton and sheila heen offers constructive tips on

how to navigate through those encounters the authors tell us that human interactions are complex
[difficult conversations how to discuss what matters most](#) - Sep 09 2023

web difficult conversations how to discuss what matters most a high level summary of the book by stone patton and heen
office of human resources the ohio state university 1590 n high st suite 300 columbus oh 43201 2190 ingredients of difficult
conversations differing perceptions

difficult conversations by douglas stone goodreads - Jan 01 2023

web douglas stone sheila heen bruce patton 4 07 17 274 ratings 1 078 reviews dealing with your ex husband who can t seem
to show up reliably for weekends with the kids navigating a workplace fraught with office politics or racial tensions saying i
m sorry or i love you

summary of difficult conversations how to discuss what - Aug 08 2023

web summary written by conflict research consortium staff citation difficult conversations how to discuss what matters most
douglas stone bruce patton and sheila heen new york viking penguin 1999 good communication is important both in formal
negotiations and in daily life

pdf difficult conversations summary douglas stone bruce - May 25 2022

web below is a preview of the shortform book summary of difficult conversations by douglas stone bruce patton sheila heen
read the full comprehensive summary at shortform 1 page pdf summary of difficult conversations

difficult conversations how to discuss what matters most douglas - Nov 30 2022

web douglas f stone douglas stone bruce patton sheila heen penguin books 2000 business economics 250 pages members of
the harvard negotiation project the organization that brought you the megabestseller getting to yes show you how to handle
your most difficult conversations with confidence and skill

difficult conversations by douglas stone bruce patton sheila - May 05 2023

web the 10th anniversary edition of the new york times business bestseller now updated with answers to ten questions people
ask we attempt or avoid difficult conversations every day whether dealing with an underperforming employee disagreeing
with a spouse or negotiating with a client

difficult conversations book summary pdf by douglas stone bruce - Jun 25 2022

web ready to learn the most important takeaways from difficult conversations in less than two minutes keep reading why this
book matters difficult conversations explains the animosity and fear that people try to avoid when faced with a verbal
disagreement and how you can turn that difficult conversation into a positive experience the big takeaways

difficult conversations how to discuss what matters most - Jul 27 2022

web buy difficult conversations how to discuss what matters most re issue by patton bruce stone douglas heen sheila fisher

roger isbn 9780670921348 from amazon s book store everyday low prices and free delivery on eligible orders

amsco french three years answer key download only jda - Dec 07 2022

web pubamsco french three years free answer key is available in our digital library an online access to it is set as public so you can get it instantly our books collection saves in

answer key to french three years eli blume google books - Aug 15 2023

web answer key to french three years eli blume amSCO school publications 1980 french language 78 pages

french four years amSCO answer key thebookee net - Sep 04 2022

web french four years amSCO answer key pdf ebook and manual free download free pdf ebooks user s guide manuals sheets about french four years amSCO answer key

answer key to french first year eli blume google books - Sep 23 2021

web answer key to french first year eli blume amSCO school publications 1981 french language 92 pages 0 reviews reviews aren t verified but google checks for and

amsco french three years answer key by eli blume - Jun 13 2023

web click to read more about amSCO french three years answer key by eli blume librarything is a cataloging and social networking site for booklovers all about amSCO

amsco french three years free answer key download only - Aug 03 2022

web amSCO french three years free answer key 1 amSCO french three years free answer key amSCO spanish 3 years flashcards and study sets quizlet

amsco french three years free answer key 2022 - Nov 06 2022

web we meet the expense of amSCO french three years free answer key and numerous book collections from fictions to scientific research in any way accompanied by them is

amsco french three years free answer key - Jan 08 2023

web amSCO french three years free answer key amSCO french three years free answer key 1 downloaded from bespoke cityam com on 2022 12 28 by guest eventually you will

read online amSCO french three years free answer - Jan 28 2022

web apr 16 2023 you could enjoy now is amSCO french three years free answer key below thank you definitely much for downloading amSCO french three

french three years answer key third edition - Apr 30 2022

web french two years answer key for workbook and review text third edition sales restricted contact us to order this item french three years complete package

amsco french three years answer key and teacher dictation - Apr 11 2023

web homeschool supercenter amsco swiss three years rejoin key and teacher dictation 9781531129316french three years presents a comprehensive review of the

amsco french two years answer key pdf - Dec 27 2021

web nov 12 2022 answer key the test ready answer key is included in the supplied documents list for lesson 1 29 2021 lesson 4 analyzing key ideas in a text answer

amsco online store - Oct 25 2021

web paints primers caulking spray paint roller covers brushes painter s tape drop cloths sheeting paint trays buckets roller frames poles wood repair stains

amsco definition by acronymfinder - Nov 25 2021

web amsco african management services company amsco american sterilizer company mentor oh amsco american manganese steel company amsco army

amsco french three years answer key answers for 2023 exams - Jul 14 2023

web and install the amsco french three years free answer key it is very simple then since currently we extend the colleague to purchase and create bargains to download and

read online amsco french three years free answer - Feb 26 2022

web apr 8 2023 read online amsco french three years free answer key free download pdf if you ally dependence such a referred amsco french three years

amsco french three years answer key pdf answers for 2023 - May 12 2023

web 6147 amsco french three years answer key pdf new 4977 kb s 4314 amsco french three years answer key pdf added by users 133 kb s 2227 french 3 years 2nd

amsco french three years answer key and teacher dictation - Oct 05 2022

web homeschool supercenter amsco french triad years answer central and teacher dictation 9781531129316french triplet years presents a comprehensive review of the

amsco french three years answer key pdf uniport edu - Feb 09 2023

web sep 1 2023 amsco french three years answer key eventually you will completely discover a further experience and execution by spending more cash nevertheless

read online amsco french three years free answer - Jul 02 2022

web french level 3 three years and 40 tests for classroom use on civilization vocabulary and grammar regents exams and answers recollections of the emperor napoleon french

amsco french three years answer key iibr org - Mar 10 2023

web amsco french three years answer key how to talk about years in french thoughtco feb 12 2023 web feb 21 2020 when talking about years up to and including 1099 or from

amsco french three years answer key and teacher dictation - Jun 01 2022

web amsco french three years answer key and teacher dictation french three years presents a comprehensive review of the grammatical elements of french in a flexible

workbook in french one year answer key 3rd edition - Mar 30 2022

web buy workbook in french one year answer key 3rd edition 9781531130091 by amsco for up to 90 off at textbooks com

free client intake templates and forms smartsheet - Oct 06 2023

web jul 2 2020 included on this page you ll find a legal client intake form a tax client intake form a patient intake form a real estate client intake form a marketing client intake form and more plus get tips on creating a client intake form

customizable client intake form template monday com blog - Sep 05 2023

web apr 27 2022 in this article we ll discuss why intake forms are so important in the client onboarding process we ll also share our easy to use intake form template and explain how to standardize the process and create a consistent high quality experience for every client who works with you get the template

how to create a client intake form step by step template - Aug 04 2023

web sep 8 2023 what is crm project intake form last updated on september 8th 2023 guide how to create an intake form step by step key points define what kind of information you need in order to create an accurate

42 printable client intake forms free templates - Jul 03 2023

web what is client intake form a client intake form is a questionnaire that you share with a client at the beginning of a working relationship with a new client intake form you can gather the information you need from a client so that you can understand if the client is a good fit for your company

new client intake form template for professional services keap - Oct 26 2022

web feb 2 2022 what should a new client intake form template include the intake form questions must follow your intake process what data is critical to starting a great relationship is there information you need to guide them to the next stage of the buyer s journey what information will support their search or clarify their needs

new client intake form template jotform - Jun 02 2023

web a new client intake form is a document that is used by a company to provide information about a new client or customer consider adding a free new client intake form to your website today

create client intake form for free jotform - Jul 23 2022

web no coding required create the perfect intake form for your business without writing a single line of code with our drag and drop form builder advanced form fields and widgets and 100 integrations you can customize your intake form to match your branding and meet your exact needs

client intake forms a full guide to new client satisfaction and retention - Jun 21 2022

web oct 13 2021 your relationships with your clients matter when you match with a client from your intake form there is a high chance that both of you will have a good business relationship who should use client intake forms the overarching question is does your business need a client intake form

the perfect new accounting client intake form free template - Apr 19 2022

web apr 18 2022 a client intake form is a data collection form that allows accounting businesses to collect information about their new clients during the onboarding process think of it as a questionnaire that helps you better understand your new accounting clients from their primary business activity and type of entity to their revenues and tax status

free bookkeeping client intake form pdf word esign - Feb 15 2022

web updated on august 1st 2023 a bookkeeping client intake form collects the information of a client interested in bookkeeping services it records the client s contact business and financial information while detailing what they re looking for out of the bookkeeper

how to create an effective new client intake form datamyte - May 21 2022

web oct 25 2023 creating an effective new client intake form ensures a smooth onboarding process click here to learn how to create one

how to create a proper client intake form for free template - Nov 26 2022

web a client intake form is the first touchpoint between you and your prospects it s a questionnaire that helps you collect the most essential information about your potential clients before you start working with them their needs their goals their budget and their special requests

new client intake template zapier interfaces - Dec 28 2022

web zapier s new client intake template is designed to give your clients a seamless experience from the moment of purchase with options for adding new clients and viewing client data this template is perfect for your employees or stakeholders who need to manage client information effectively

new client intake checklist for bookkeeping accounting - Mar 19 2022

web when onboarding new clients bookkeepers and accountants should have a new client intake form that includes the following information contact information for the primary point person at the client company this should include name title email address and phone number tax identification numbers for the client company

everything you need to include in a new client intake form b12 - Mar 31 2023

web apr 17 2023 in this blog post we will discuss the critical elements to include in a client intake form how to collect contact information and health histories outline consent and disclosures and the benefits of having a comprehensive intake form

how to create a new client intake form adobe acrobat - Jan 29 2023

web how to build a new client intake form grow strong business relationships with an airtight client intake form template discover the importance of a new client intake form for a seamless and efficient start to your business relationship with the guide below

how to create a client intake form that gets results - Aug 24 2022

web what is a client intake form intake forms are more than a simple contact form because they are designed to let you know what your client needs are and if your business is capable of attending to them with an intake form you can gather information from your clients before your first meeting

our guide to designing a client intake form with template practice - May 01 2023

web nov 16 2022 client intake forms streamline future processes learn how to make a client intake form template and find inspiration with our free template when you get a call from a prospective client you likely feel excited a new challenge has presented itself

what a client intake form is what it should look like template - Feb 27 2023

web mar 17 2023 client intake forms are preliminary paperwork potential customers fill out to determine their fit for your services these forms ask for information about the person or their business if their answers line up with the services you provide you can begin onboarding if not they can find a service provider who is a better fit

new client intake form word pdf google docs highfile - Sep 24 2022

web a new client intake form is a document used by businesses to gather essential information from newcomers ensuring they receive tailored services and seamless experiences we understand the importance of having an effective intake form and our template is designed to address that need