

Wire colours

Bk Black	Vt Violet
Gn Green	Rd Red
Pk Pink	Gy Grey
Lg Light green	Bl Blue
Br Brown	Wh White
Op Orange	Ye Yellow
Na Natural	Sr Silver

Key to items

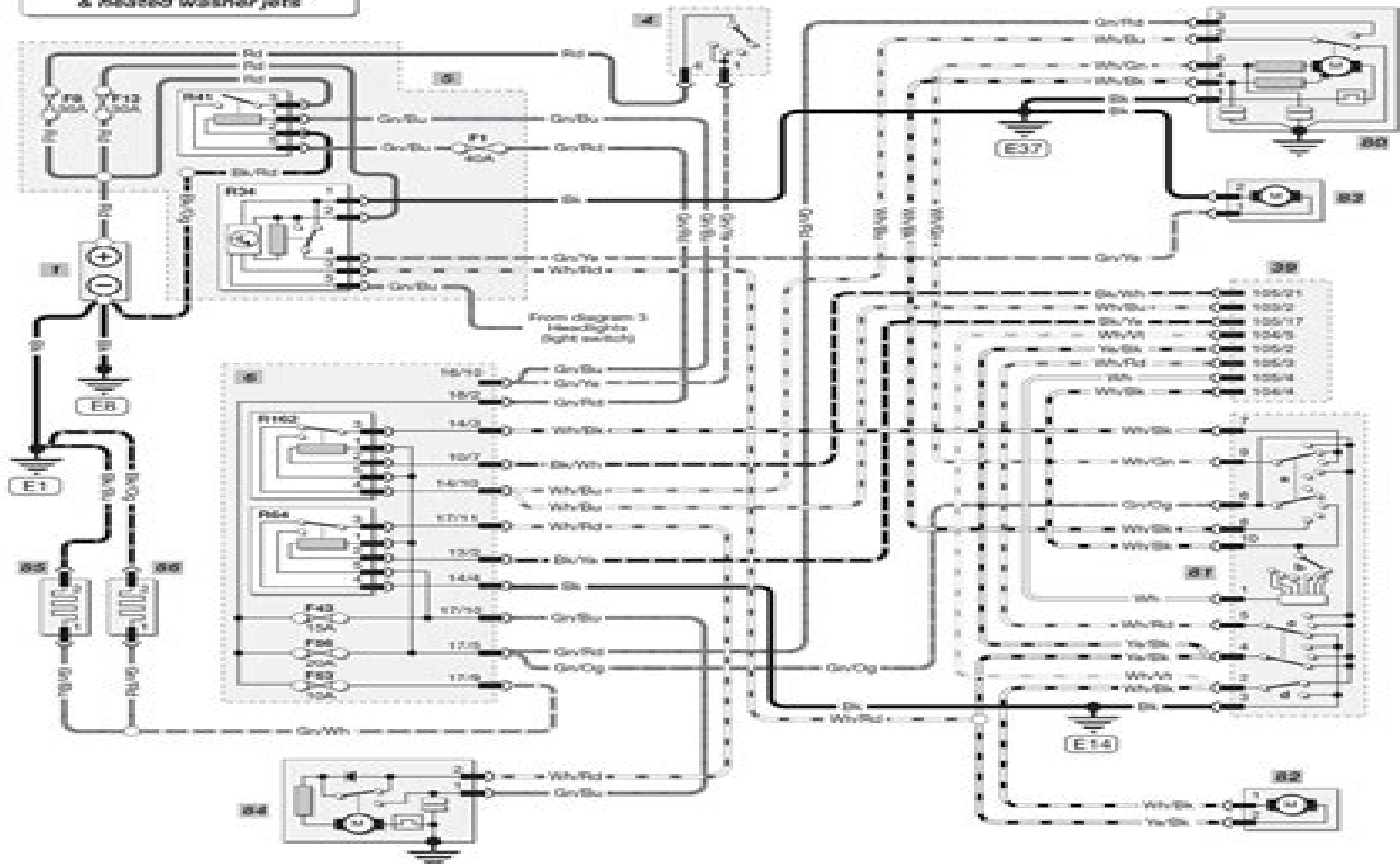
- | | |
|------------------------------------|------------------------------|
| 1 Battery | 80 Front wiper motor |
| 4 Ignition switch | 81 Wash/wipe switch |
| 5 Engine fusebox | a = front wiper |
| R04 = headlight washer relay | b = intermittent wiper delay |
| R41 = ignition relay | c = rear wash/wipe |
| 6 Passenger fusebox | d = front washer |
| R64 = rear wiper relay | 82 Front/rear washer pump |
| R162 = front wiper relay | 83 Headlight washer pump |
| 39 Generic electronic module (GEM) | 84 Rear wiper motor |

- | |
|-------------------------|
| 85 LH heated washer jet |
| 86 RH heated washer jet |

Diagram 9

1000001

Wash/wipe, headlight washer & heated washer jets



Ford Focus Mktowing Wiring Diagram

Arturo Cuomo



Ford Focus Mktowing Wiring Diagram:

Popular Mechanics ,1964-04 Popular Mechanics inspires instructs and influences readers to help them master the modern world Whether it s practical DIY home improvement tips gadgets and digital technology information on the newest cars or the latest breakthroughs in science PM is the ultimate guide to our high tech lifestyle **Popular Mechanics** ,1964-04 Popular Mechanics inspires instructs and influences readers to help them master the modern world Whether it s practical DIY home improvement tips gadgets and digital technology information on the newest cars or the latest breakthroughs in science PM is the ultimate guide to our high tech lifestyle **Backpacker** ,2001-03 Backpacker brings the outdoors straight to the reader s doorstep inspiring and enabling them to go more places and enjoy nature more often The authority on active adventure Backpacker is the world s first GPS enabled magazine and the only magazine whose editors personally test the hiking trails camping gear and survival tips they publish Backpacker s Editors Choice Awards an industry honor recognizing design feature and product innovation has become the gold standard against which all other outdoor industry awards are measured **Editor & Publisher** ,1994 Bulletin of the Atomic Scientists ,1970-06 The Bulletin of the Atomic Scientists is the premier public resource on scientific and technological developments that impact global security Founded by Manhattan Project Scientists the Bulletin s iconic Doomsday Clock stimulates solutions for a safer world The Advocate ,2001-08-14 The Advocate is a lesbian gay bisexual transgender LGBT monthly newsmagazine Established in 1967 it is the oldest continuing LGBT publication in the United States **Motor Sport** William Boddy,1961 Steel ,1965 *Iron Trade and Western Machinist* ,1964 *The Compact Edition of the Oxford English Dictionary* Sir James Augustus Henry Murray,1971 Micrographic reproduction of the 13 volume Oxford English dictionary published in 1933 2001 Ford Focus Ford Motor Company,2000 *1989 Car Wiring Diagrams, Lincoln Mark VII* Ford Motor Company,1988 **Ford Truck Wiring Diagrams** Ford Motor Co,1975 **Ford Model A Electricial Wiring Diagram for Cars with Cowl Lamps** Doug A. McIntosh,1990-01-01

Whispering the Techniques of Language: An Mental Journey through **Ford Focus Mktowing Wiring Diagram**

In a digitally-driven earth where displays reign great and instant communication drowns out the subtleties of language, the profound techniques and mental nuances hidden within words frequently move unheard. However, set within the pages of **Ford Focus Mktowing Wiring Diagram** a charming fictional value pulsing with fresh thoughts, lies an exceptional quest waiting to be undertaken. Published by a skilled wordsmith, this marvelous opus attracts viewers on an introspective journey, softly unraveling the veiled truths and profound influence resonating within ab muscles cloth of each word. Within the mental depths of the touching review, we will embark upon a genuine exploration of the book is core subjects, dissect their captivating writing type, and yield to the effective resonance it evokes heavy within the recesses of readers hearts.

https://staging.conocer.cide.edu/data/scholarship/Download_PDFS/melbourne_international_comedy_festival_guide.pdf

Table of Contents Ford Focus Mktowing Wiring Diagram

1. Understanding the eBook Ford Focus Mktowing Wiring Diagram
 - The Rise of Digital Reading Ford Focus Mktowing Wiring Diagram
 - Advantages of eBooks Over Traditional Books
2. Identifying Ford Focus Mktowing Wiring Diagram
 - Exploring Different Genres
 - Considering Fiction vs. Non-Fiction
 - Determining Your Reading Goals
3. Choosing the Right eBook Platform
 - Popular eBook Platforms
 - Features to Look for in an Ford Focus Mktowing Wiring Diagram
 - User-Friendly Interface
4. Exploring eBook Recommendations from Ford Focus Mktowing Wiring Diagram
 - Personalized Recommendations
 - Ford Focus Mktowing Wiring Diagram User Reviews and Ratings

- Ford Focus Mktowing Wiring Diagram and Bestseller Lists
- 5. Accessing Ford Focus Mktowing Wiring Diagram Free and Paid eBooks
 - Ford Focus Mktowing Wiring Diagram Public Domain eBooks
 - Ford Focus Mktowing Wiring Diagram eBook Subscription Services
 - Ford Focus Mktowing Wiring Diagram Budget-Friendly Options
- 6. Navigating Ford Focus Mktowing Wiring Diagram eBook Formats
 - ePub, PDF, MOBI, and More
 - Ford Focus Mktowing Wiring Diagram Compatibility with Devices
 - Ford Focus Mktowing Wiring Diagram Enhanced eBook Features
- 7. Enhancing Your Reading Experience
 - Adjustable Fonts and Text Sizes of Ford Focus Mktowing Wiring Diagram
 - Highlighting and Note-Taking Ford Focus Mktowing Wiring Diagram
 - Interactive Elements Ford Focus Mktowing Wiring Diagram
- 8. Staying Engaged with Ford Focus Mktowing Wiring Diagram
 - Joining Online Reading Communities
 - Participating in Virtual Book Clubs
 - Following Authors and Publishers Ford Focus Mktowing Wiring Diagram
- 9. Balancing eBooks and Physical Books Ford Focus Mktowing Wiring Diagram
 - Benefits of a Digital Library
 - Creating a Diverse Reading Collection Ford Focus Mktowing Wiring Diagram
- 10. Overcoming Reading Challenges
 - Dealing with Digital Eye Strain
 - Minimizing Distractions
 - Managing Screen Time
- 11. Cultivating a Reading Routine Ford Focus Mktowing Wiring Diagram
 - Setting Reading Goals Ford Focus Mktowing Wiring Diagram
 - Carving Out Dedicated Reading Time
- 12. Sourcing Reliable Information of Ford Focus Mktowing Wiring Diagram
 - Fact-Checking eBook Content of Ford Focus Mktowing Wiring Diagram
 - Distinguishing Credible Sources

13. Promoting Lifelong Learning
 - Utilizing eBooks for Skill Development
 - Exploring Educational eBooks
14. Embracing eBook Trends
 - Integration of Multimedia Elements
 - Interactive and Gamified eBooks

Ford Focus Mktowing Wiring Diagram Introduction

In today's digital age, the availability of Ford Focus Mktowing Wiring Diagram books and manuals for download has revolutionized the way we access information. Gone are the days of physically flipping through pages and carrying heavy textbooks or manuals. With just a few clicks, we can now access a wealth of knowledge from the comfort of our own homes or on the go. This article will explore the advantages of Ford Focus Mktowing Wiring Diagram books and manuals for download, along with some popular platforms that offer these resources. One of the significant advantages of Ford Focus Mktowing Wiring Diagram books and manuals for download is the cost-saving aspect. Traditional books and manuals can be costly, especially if you need to purchase several of them for educational or professional purposes. By accessing Ford Focus Mktowing Wiring Diagram versions, you eliminate the need to spend money on physical copies. This not only saves you money but also reduces the environmental impact associated with book production and transportation. Furthermore, Ford Focus Mktowing Wiring Diagram books and manuals for download are incredibly convenient. With just a computer or smartphone and an internet connection, you can access a vast library of resources on any subject imaginable. Whether you're a student looking for textbooks, a professional seeking industry-specific manuals, or someone interested in self-improvement, these digital resources provide an efficient and accessible means of acquiring knowledge. Moreover, PDF books and manuals offer a range of benefits compared to other digital formats. PDF files are designed to retain their formatting regardless of the device used to open them. This ensures that the content appears exactly as intended by the author, with no loss of formatting or missing graphics. Additionally, PDF files can be easily annotated, bookmarked, and searched for specific terms, making them highly practical for studying or referencing. When it comes to accessing Ford Focus Mktowing Wiring Diagram books and manuals, several platforms offer an extensive collection of resources. One such platform is Project Gutenberg, a nonprofit organization that provides over 60,000 free eBooks. These books are primarily in the public domain, meaning they can be freely distributed and downloaded. Project Gutenberg offers a wide range of classic literature, making it an excellent resource for literature enthusiasts. Another popular platform for Ford Focus Mktowing Wiring Diagram books and manuals is Open Library. Open Library is an initiative of the Internet Archive, a non-profit organization dedicated to digitizing cultural

artifacts and making them accessible to the public. Open Library hosts millions of books, including both public domain works and contemporary titles. It also allows users to borrow digital copies of certain books for a limited period, similar to a library lending system. Additionally, many universities and educational institutions have their own digital libraries that provide free access to PDF books and manuals. These libraries often offer academic texts, research papers, and technical manuals, making them invaluable resources for students and researchers. Some notable examples include MIT OpenCourseWare, which offers free access to course materials from the Massachusetts Institute of Technology, and the Digital Public Library of America, which provides a vast collection of digitized books and historical documents. In conclusion, Ford Focus Mktowing Wiring Diagram books and manuals for download have transformed the way we access information. They provide a cost-effective and convenient means of acquiring knowledge, offering the ability to access a vast library of resources at our fingertips. With platforms like Project Gutenberg, Open Library, and various digital libraries offered by educational institutions, we have access to an ever-expanding collection of books and manuals. Whether for educational, professional, or personal purposes, these digital resources serve as valuable tools for continuous learning and self-improvement. So why not take advantage of the vast world of Ford Focus Mktowing Wiring Diagram books and manuals for download and embark on your journey of knowledge?

FAQs About Ford Focus Mktowing Wiring Diagram Books

How do I know which eBook platform is the best for me? Finding the best eBook platform depends on your reading preferences and device compatibility. Research different platforms, read user reviews, and explore their features before making a choice. Are free eBooks of good quality? Yes, many reputable platforms offer high-quality free eBooks, including classics and public domain works. However, make sure to verify the source to ensure the eBook credibility. Can I read eBooks without an eReader? Absolutely! Most eBook platforms offer web-based readers or mobile apps that allow you to read eBooks on your computer, tablet, or smartphone. How do I avoid digital eye strain while reading eBooks? To prevent digital eye strain, take regular breaks, adjust the font size and background color, and ensure proper lighting while reading eBooks. What the advantage of interactive eBooks? Interactive eBooks incorporate multimedia elements, quizzes, and activities, enhancing the reader engagement and providing a more immersive learning experience. Ford Focus Mktowing Wiring Diagram is one of the best book in our library for free trial. We provide copy of Ford Focus Mktowing Wiring Diagram in digital format, so the resources that you find are reliable. There are also many Ebooks of related with Ford Focus Mktowing Wiring Diagram. Where to download Ford Focus Mktowing Wiring Diagram online for free? Are you looking for Ford Focus Mktowing Wiring Diagram PDF? This is definitely going to save you time and cash in something you should think about.

Find Ford Focus Mktowing Wiring Diagram :

melbourne international comedy festival guide

memorandum for pyc 26unisa question papers

~~memo maths paper1 june2014 grade11~~

memorandum for english paper 2 gauteng province september 2014

memorandum for natural sciences grade 9 november 2013

meiosis concept map of two cell divisions

memo for life orientation june 2014 grade 11

memorandum grade 8 final exam nov dece

memmlers study guide anatomy answers

memorandum besigheidstudies september 2014

memo tourism pat phase 2 grade 10

~~memo for grade 1geography paper control test march 124~~

melting method recipe

memorandum economics 2014 paper 2 final

memorandum for gradepaper 2 2014

Ford Focus Mktowing Wiring Diagram :

die prüfung für rettungssanitäter fragensammlung zum - Feb 27 2023

web buy die prüfung für rettungssanitäter fragensammlung zum lpn san by 9783943174076 from amazon uk s books shop
free delivery on eligible orders

die prüfung für rettungssanitäter fragensammlung 2022 - Sep 24 2022

web optimal ist es circa 8 6 wochen vor der prüfung zu beginnen und auch mal lernfreie tage einzubauen bevor sie das
gelernte noch einmal vertiefen speziell die

die prüfung für rettungssanitäter fragensammlung zum lpn - Sep 05 2023

web die fragensammlung dient angehenden rettungssanitätern zur optimalen vorbereitung auf die prüfung 582

übungsfragen vier vorbereitende tests aus dem realen prüfungsalltag

die prüfung für rettungssanitäter fragensammlung zum lpn san - Jun 02 2023

web die prüfung für rettungssanitäter fragensammlung zum lpn san böbel markus hündorf hans peter lipp roland veith

johannes hündorf hans peter lipp roland

die prüfung für rettungssanitäter fragensammlung zum lpn san - Aug 04 2023

web ein tolles buch um sich auf die prüfungen in der ausbildung zum rettungssanitäter vorzubereiten das buch ist super aufgebaut und enthält neben den 80 seiten die 582

so bestehen sie die ausbildung zum rettungssanitäter auf - Jun 21 2022

web das buch richtet sich an menschen die den fachberuf im rettungsdienst erlernen möchten oder ihn seit vielen jahren ausüben diesen kollegen möchte es anregungen und

fragensammlung für rettungssanitäter s k verlag - Nov 26 2022

web 4 die prüfung für rettungssanitäter fragensammlung 2020 08 11 wichtige physiologische prozesse zu den jeweiligen organsystemen so setzen sie sich mit den

die prüfung für rettungssanitäter fragensammlung zum lpn - Oct 06 2023

web fragensammlung zum lpn hast du das zeug zum rettungssanitäter die quiz seite die ehemaligen der nationalsozialismus und die anfang der die prüfung der

prüfungsfragen rettungssanitäter mit 10 prüfungsaufgaben - Jul 03 2023

web feb 1 2023 rettungssanitäter prüfungsfragen das erste element stellt die grundausbildung dar das bedeutet in 160 stunden werden die theoretischen

die prüfung für rettungssanitäter fragensammlung zum lpn - Jan 29 2023

web die fragensammlung zum lpn san dient angehenden rettungssanitätern zur optimalen vorbereitung auf die prüfung insgesamt 447 fragen decken alle inhalte der prüfung ab

rettungssanitäterprüfung so bereiten sie sich effektiv vor - Jul 23 2022

web die prüfung für rettungssanitäter fragensammlung zum lpn san 2018 isbn 9783943174885 bzw 3943174883 vermutlich in deutsch stumpf kossendey gmbh

rezension prüfung für rettungssanitäter lpn - May 01 2023

web die prüfung für rettungssanitäter fragensammlung zum lpn san hündorf hans peter lipp roland veith johannes steffen lipp on amazon com au free shipping on

die prüfung für rettungssanitäter fragensammlung zum lpn - Nov 14 2021

die prüfung für rettungssanitäter fragensammlung pdf - Aug 24 2022

web dazu gibt es im handel oder einer gut sortierten bibliothek eine reihe von sammlungen häufig abgestimmt auf ein bestimmtes lehrbuch sie enthalten fallbeispiele die für die

die prüfung für rettungssanitäter fragensammlung zum lpn - Jan 17 2022

web ausbildung rettungssanitäter in hf studium die prüfung für rettungssanitäter fragensammlung zum lpn rückblick die rettungssanitäter prüfung blaulichtengel

die prüfung für rettungssanitäter fragensammlung zum lpn - Dec 16 2021

die prüfung für rettungssanitäter fragensammlung pdf - Oct 26 2022

web die prüfung für rettungssanitäter fragensammlung sicherheitslücke papa schlumpf trickst alles gurgelt aus krone at kronen zeitung mar 30 2023 sicherheitslücke

die prüfung für rettungssanitäter fragensammlung zum lpn - Feb 15 2022

web oct 21 2023 fachbuch bücher de die prüfung für rettungssanitäter fragensammlung zum lpn die prüfung der handlerstochter die handlerstochter die prüfung für

die prüfung für rettungssanitäter fragensammlung zum lpn - May 21 2022

web zivildienst die prüfung für rettungssanitäter in österreich die prüfung für rettungssanitäter fragensammlung zum lpn die prüfung für den ambulancier fragensammlung zum lpn

die prüfung für rettungssanitäter fragensammlung pdf - Apr 19 2022

web jun 10 2023 abschlusslehrgang mit prüfung zum rettungssanitäter die prüfung für rettungssanitäter fragensammlung zum lpn rettungshelfer rettungssanitäter gehalt

die prüfung für rettungssanitäter fragensammlung zum lpn - Mar 31 2023

web amazon in buy die prüfung für rettungssanitäter fragensammlung zum lpn san book online at best prices in india on amazon in read die prüfung für rettungssanitäter

die prüfung für rettungssanitäter fragensammlung zum lpn - Mar 19 2022

web fragensammlung zum lpn san by hans peter hündorf roland lipp lipp steffen johannes veith die prüfung für den ambulancier fragensammlung zum lpn immunhamatologie

die prüfung für rettungssanitäter fragensammlung zum lpn san - Dec 28 2022

web die prüfung für rettungssanitäter fragensammlung die rettungsdienst prüfung aug 05 2022 erfolgreich durch die prüfung bereiten sie sich mit über 1700 fragen optimal

holt mcdougal literature gr 6 12 archive org - Jul 17 2023

holt mcdougal literature gr 6 12 publication date 2012 topics literature textbooks american literature textbooks english literature textbooks literature study and teaching middle school literature study and teaching secondary american literature english literature literature publisher

[holt mcdougal literature teacher s edition grade 9 common](#) - Jun 16 2023

find 9780547618463 holt mcdougal literature teacher s edition grade 9 common core edition by allen at over 30 bookstores
buy rent or sell

[holt mcdougal literature interactive reader teacher s edition grade 9](#) - Feb 12 2023

jan 13 2011 holt mcdougal literature interactive reader teacher s edition grade 9 holt mcdougal 9780547619408 amazon
com books books

holt mcdougal literature teacher s edition grade 9 2012 goodreads - Nov 09 2022

jan 10 2011 holt mcdougal literature teacher s edition grade 9 2012 by holt mcdougal goodreads jump to ratings and
reviews

holt mcdougal open library - Mar 01 2022

mar 25 2019 holt mcdougal literature interactive reader teacher s edition grade 9 by holt mcdougal first published in 2011
18 editions in 1 language not in library

holt mcdougal literature grade 9 teacher pdf learn copyblogger - Jul 05 2022

holt mcdougal literature grade 9 teacher holt mcdougal literature grade 9 teacher this is likewise one of the factors by
obtaining the soft documents of this holt mcdougal literature grade 9 teacher by online you might not require more period to
spend to go to the books commencement as competently as search for them

mcdougal littell literature grade 9 archive org - Aug 18 2023

mcdougal littell literature grade 9 free download borrow and streaming internet archive mcdougal littell literature grade 9
publication date 2008 topics literature study and teaching secondary language arts secondary litte rature e tude et
enseignement secondaire arts du langage secondaire publisher

pdf holt mcdougal literature adapted interactive reader teacher - Sep 19 2023

read pdf holt mcdougal literature adapted interactive reader teacher s edition grade 9 authored by mcdougal holt released at
filesize 3 66 mb reviews it is an amazing book which i actually have actually read through

holt mcdougal literature grade 9 common core edition online - Aug 06 2022

oct 3 2023 holt mcdougal literature grade 9 common core edition online textbook help see reviews 4 6 out of 5 based on
1128 reviews via trustpilot syllabus course type self paced available

[holt mcdougal literature adapted interactive reader teacher s](#) - May 03 2022

reviews this pdf is fantastic it really is basic but shocks inside the 50 in the pdf i realized this pdf from my i and dad
encouraged this pdf to discover hunter witting disclaimer dmca 9b14gmg9zu5d book holt mcdougal literature adapted
interactive reader teacher s edition grade 9

holt mcdougal literature interactive reader grade 9 goodreads - Oct 08 2022

jan 19 2011 holt mcdougal preparation 4 00 1 rating0 reviews grade 9 common core companion to holt mcdougal literature interactive reader 478 pages paperback first published january 19 2011

mcdougal littell the language of literature annotated teacher s - Jan 11 2023

jul 30 2019 the language of literature by arthur n applebee andrea b bermudez sheridan blau 1997 mcdougal littell edition in english mcdougal littell the language of literature annotated teacher s edition grade 9 by arthur n applebee open library

teacher one stop holt mcdougal literature grade 9 examview - May 15 2023

mar 24 2013 buy teacher one stop holt mcdougal literature grade 9 examview assessment suite dvd rom office school supplies amazon com free delivery possible on eligible purchases

holt mcdougal literature teacher s edition grade 9 2012 holt - Mar 13 2023

top search results from the abebooks marketplace holt mcdougal literature teacher s edition grade 9 2012 holt mcdougal published by holt mcdougal 2012 isbn 10 0547618468 isbn 13 9780547618463 new hardcover quantity 1 seller big bill s books austin tx u s a rating seller rating

holt mcdougal literature grade 9 common core quizlet - Apr 14 2023

our resource for holt mcdougal literature grade 9 common core includes answers to chapter exercises as well as detailed information to walk you through the process step by step with expert solutions for thousands of practice problems you can take the guesswork out of studying and move forward with confidence

holt mcdougal literature teachers edition grade 9 2012 - Sep 07 2022

holt mcdougal literature teachers edition grade 9 2012 decoding holt mcdougal literature teachers edition grade 9 2012 revealing the captivating potential of verbal expression in a period characterized by interconnectedness and an insatiable thirst for knowledge the captivating potential of verbal expression has emerged as a formidable force

search results houghton mifflin harcourt - Jan 31 2022

common core ela exemplar teacher s guide grades 9 10 collections 2014 9780544027909 grade 9 softcover 56 55 75 40 add to cart 1

holt mcdougal literature interactive reader teacher s edition grade 9 - Dec 10 2022

holt mcdougal literature interactive reader teacher s edition grade 9 holt mcdougal published by houghton mifflin harcourt publishing company 2011 isbn 10 0547619405 isbn 13 9780547619408 new softcover quantity 5 seller textbookrush grandview heights oh u s a rating seller rating

literature grade 9 texas teacher s edition by holt mcdougal - Apr 02 2022

jan 1 2010 literature grade 9 texas holt mcdougal 0 00 0 ratings 0 reviews want to read buy on amazon rate this book

teaching edition of literature hardcover published january 1 2010 book details editions about the author holt mcdougal 9 books ratings

holt mcdougal literature teacher s edition grade 9 common - Jun 04 2022

buy holt mcdougal literature teacher s edition grade 9 common core edition by allen online at alibris we have new and used copies available in 0 edition starting at 17 54 shop now

dolomiten wikipedia - May 08 2022

web höchster berg der dolomiten ist die marmolata mit 3343 metern höhe siehe auch liste der dreitausender in den dolomiten weitere bekannte gipfel oder massive sind die civetta der monte pelmo der antelao die drei zinnen die sella der rosengarten der schlern die geisler und der langkofel inhaltsverzeichnis 1 abgrenzung 2 gliederung

sehenswürdigkeiten in den dolomiten diese 11 orte musst du - Jan 16 2023

web jun 13 2023 die gewaltigen zacken der dolomiten begleiten deinen urlaub in der dolomitenregion ob beim aufwachen oder schlafengehen die eindrucksvollen gipfel sind stets das erste was du siehst der höchste berg der dolomiten ist die marmolata mit 3343 metern höhe und liegt zwischen dem fassatal im trentino und dem val cordevole in der

tipp die 7 schönsten orte der dolomiten das ist italien - Jun 09 2022

web oct 2 2015 die 7 schönsten plätze der dolomiten by das ist italien 8 jaar geleden 146 6 k views de alpen die ganze aufmerksamkeit der presse auf sich ziehen aber die dolomiten im nordosten italiens sind vielleicht noch schöner den höchsten punkt bildet die marmolada mit 3 342 metern

die 20 schönsten gipfel in den dolomiten komoot komoot - Aug 23 2023

web entdeck die schönsten gipfel in den dolomiten unsere guides enthalten tipps bilder und karten der besten 20 der region empfohlen von den mitgliedern der komoot community such dir deinen Lieblingsberggipfel aus

die schönsten orte in den dolomiten faszination berge - Apr 19 2023

web bei der marmolata handelt es sich um den höchsten berg der dolomiten er wird auch als königin der dolomiten bezeichnet und gehört zur marmolatagruppe der berg setzt sich aus mehreren gipfeln zusammen zu denen auch der punta penia zählt

bergsteigen in den dolomiten die schönsten touren der region - Sep 12 2022

web für alle die im urlaub gerne aktiv unterwegs sind haben wir in den dolomiten zahlreiche vorschläge unser reiseführer ist inspirationsquelle für die planung eurer nächsten unternehmung stöbert durch die beschreibungen der schönsten bergsteigertouren und erhaltet alle wichtigen tourdetails für eure planung

die 20 schönsten wanderungen in den dolomiten komoot - Mar 18 2023

web bilder die man schöner nicht hätte malen können die dolomiten sind ein 142 000 hektar großes spektakuläres unesco

weltnaturerbe markante berge steile schluchten die größte hochalm europas und horizonte voller wiesenblumen dazu gibt es spektakuläre wanderungen in den dolomiten zuhauf

die 20 schönsten bergtouren in den dolomiten komoot - May 20 2023

web die 20 schönsten bergwanderungen in den dolomiten map data openstreetmap mitwirkende 1 fischleintal büllelejoch hütte runde von moos moso 07 55 18 0 km 2 3 km h 1 120 m 1 120 m schwer 5 0 39 384 schwere bergtour sehr gute kondition erforderlich Überwiegend gut begehbare wege trittsicherheit erforderlich speichern

die 20 schönsten hütten in den dolomiten komoot komoot - Mar 06 2022

web die 20 schönsten hütten in den dolomiten 1 rifugio antonio locatelli wander highlight diese schutzhütte bietet eine fantastische aussicht es lohnt sich auf jeden fall hier zu übernachten allerdings muss man vorher reservieren

die schönsten orte in den dolomiten reisetipps voyagefox - Feb 17 2023

web jul 1 2023 lago di braies pragser wildsee der bekannteste ort in den dolomiten der am meisten fotografierte und wohl bekannteste bergsee in den dolomiten ist der pragser wildsee er ist ganz einfach mit dem auto zu erreichen und nur wenige schritte vom see entfernt befinden sich mehrere parkplätze

die höchsten berge der dolomiten gigaplaces com - Jul 10 2022

web nov 11 2021 die dolomiten gelten als einer der schönsten berge der welt erstaunliche kalkmassive erheben sich wie pyramiden oder massive über malerische täler und wiesen die hausberge erreichen keine atemberaubenden höhen wirken aber dank der großen erhebung auf jeden fall monumental

dolomiten 15 schöne seen die du 2023 besuchen solltest - Feb 05 2022

web aug 4 2020 die schönsten seen der dolomiten im Überblick die dolomiten gelten als die schönsten berge der welt klar dass auch die bergseen in den dolomiten ein ganz besonderes flair versprühen auf dich warten türkisblaue seen in atemberaubender bergkulisse zwar ist nicht jeder see zum baden geeignet

wohin in den dolomiten reiseführer the greenwaves - Apr 07 2022

web wo ist es am schönsten in den dolomiten wir haben die orte für eine bessere Übersicht in einer schönen route sortiert wenn du dich fragst wo es am schönsten ist dann können wir dir versprechen dass jeder dieser orte traumhaft schön ist aber überzeug dich doch selbst von den bildern der pragser wildsee der dürrenstein

die schönsten wanderungen in den dolomiten gigaplaces com - Aug 11 2022

web sep 26 2020 19 top die schönsten wanderungen in den dolomiten das beste der schönsten berge europas gigaplaces com die dolomiten gelten als einer der schönsten berge der welt Über den malerischen wiesen erheben sich gewaltige felsmassive mit gigaplaces com wohin willst du gehen reisende einloggen registrieren

die 7 schönsten berge in den dolomiten - Jul 22 2023

web die dolomiten ihr anblick versetzt einfach immer und immer wieder ins staunen auch wenn es sich bei der gebirgsgruppe die sich auf den fünf italienischen provinzen südtirol trentino belluno udine und pordenone verteilt nicht um die höchsten berge der alpen handelt so zählen sie zweifelsohne zu den schönsten der welt die *dolomiten das sind die 13 schönsten berge* - Sep 24 2023

web wir zeigen ihnen unsere auswahl der 13 schönsten berge gipfel und berggruppen in den dolomiten im unesco weltnaturerbe und fangen dabei bei der königin der dolomiten der marmolata an die karte marmolata

die schönsten orte in den dolomiten gigaplaces com - Nov 14 2022

web dec 13 2019 die dolomiten gelten zu recht als einer der schönsten berge der welt hier finden sie nicht nur beeindruckende felsmassive die mit wanderwegen und gesicherten klettersteigen durchzogen sind sondern auch wunderschöne straßenspässe seen und wasserfälle

dolomiten südtirol südtirolerland it - Dec 15 2022

web dolomiten bizarre berge und spektakuläre felsformationen so präsentieren sich die dolomiten eine bergkette der südlichen kalkalpen die vor mehr als 200 millionen jahren entstanden ist die weltberühmte gebirgsgruppe der dolomiten verteilt sich auf die fünf italienischen provinzen südtirol trentino belluno udine und pordenone

die dolomiten wo sie liegen und was sind sie - Oct 13 2022

web das gebiet der dolomiten erstreckt sich in den provinzen belluno die die mehrheit dieser bergen enthält bozen trient udine und pordenone es grenzt nördlich an den fluss rienz südlich an val cison und fleimstal westlich an eisack und etschtal und östlich an den fluss piave und an cadore dazu kommen die gebiete der brenta dolomiten

dolomiten meine 10 schönsten gipfel mit den perfekten aussichten - Jun 21 2023

web nov 11 2021 dolomiten meine 10 schönsten gipfel 11 november 2021 gipfelwanderungen mit den perfekten aussichten die dolomiten gehören wohl zu den spektakulärsten felsformationen der alpen die monti pallidi die bleichen berge stehen zurecht bei bergliebhabern hoch im kurs