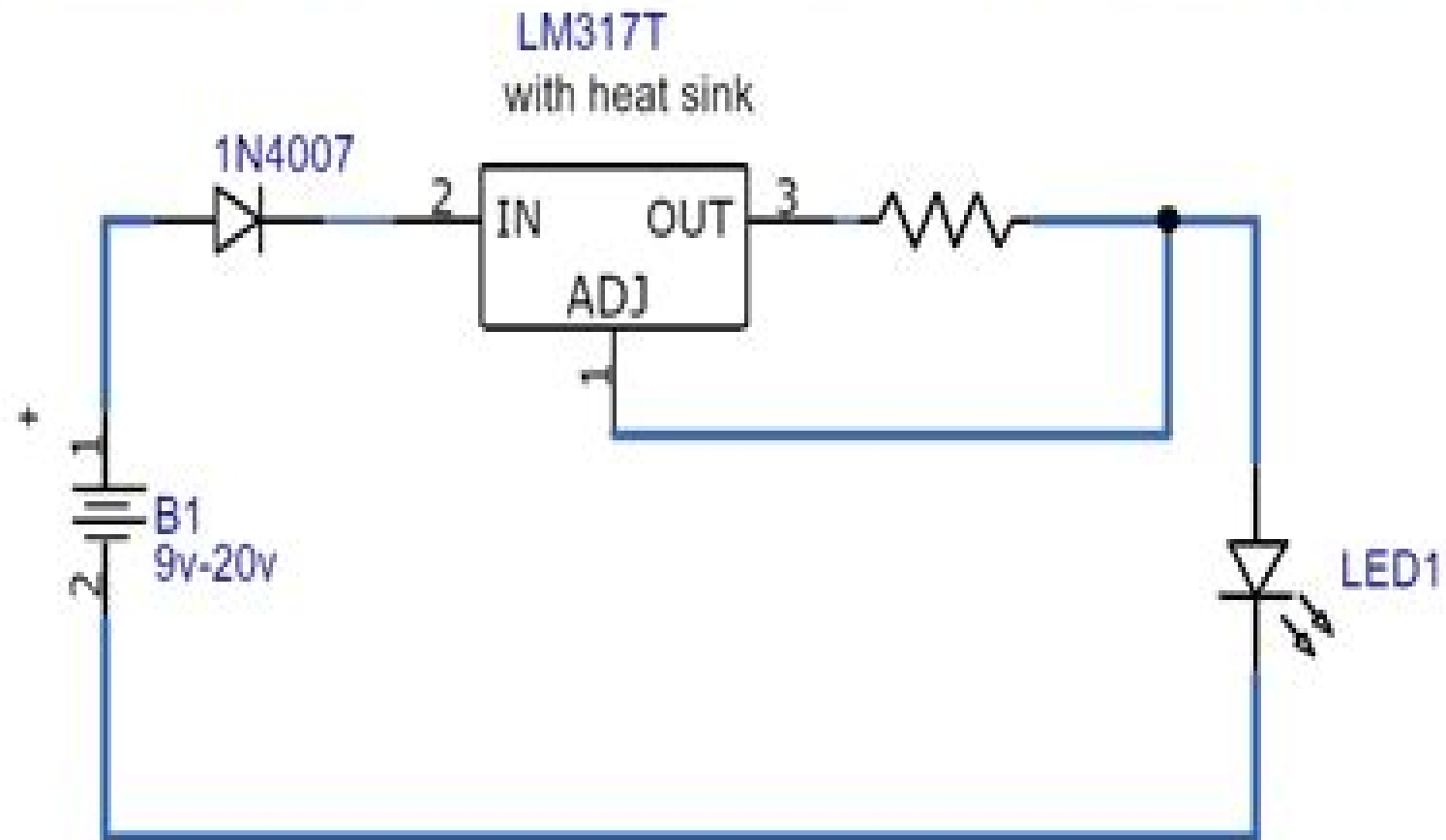


# Simple LED Driver Circuit



For Complete Details Visit :  
[www.Circuits-DIY.com](http://www.Circuits-DIY.com)

# Led Driver Circuit Schematic

**ML Morrison**



## Led Driver Circuit Schematic:

## **Led Driver Circuit Schematic** Book Review: Unveiling the Power of Words

In a global driven by information and connectivity, the power of words has be much more evident than ever. They have the capability to inspire, provoke, and ignite change. Such could be the essence of the book **Led Driver Circuit Schematic**, a literary masterpiece that delves deep to the significance of words and their affect our lives. Compiled by a renowned author, this captivating work takes readers on a transformative journey, unraveling the secrets and potential behind every word. In this review, we shall explore the book is key themes, examine its writing style, and analyze its overall affect readers.

[https://staging.conocer.cide.edu/book/Resources/Documents/Memorandum\\_Accounting\\_Paper\\_2014\\_Grade\\_11\\_June.pdf](https://staging.conocer.cide.edu/book/Resources/Documents/Memorandum_Accounting_Paper_2014_Grade_11_June.pdf)

### **Table of Contents Led Driver Circuit Schematic**

1. Understanding the eBook Led Driver Circuit Schematic
  - The Rise of Digital Reading Led Driver Circuit Schematic
  - Advantages of eBooks Over Traditional Books
2. Identifying Led Driver Circuit Schematic
  - Exploring Different Genres
  - Considering Fiction vs. Non-Fiction
  - Determining Your Reading Goals
3. Choosing the Right eBook Platform
  - Popular eBook Platforms
  - Features to Look for in an Led Driver Circuit Schematic
  - User-Friendly Interface
4. Exploring eBook Recommendations from Led Driver Circuit Schematic
  - Personalized Recommendations
  - Led Driver Circuit Schematic User Reviews and Ratings
  - Led Driver Circuit Schematic and Bestseller Lists
5. Accessing Led Driver Circuit Schematic Free and Paid eBooks

- Led Driver Circuit Schematic Public Domain eBooks
  - Led Driver Circuit Schematic eBook Subscription Services
  - Led Driver Circuit Schematic Budget-Friendly Options
6. Navigating Led Driver Circuit Schematic eBook Formats
    - ePub, PDF, MOBI, and More
    - Led Driver Circuit Schematic Compatibility with Devices
    - Led Driver Circuit Schematic Enhanced eBook Features
  7. Enhancing Your Reading Experience
    - Adjustable Fonts and Text Sizes of Led Driver Circuit Schematic
    - Highlighting and Note-Taking Led Driver Circuit Schematic
    - Interactive Elements Led Driver Circuit Schematic
  8. Staying Engaged with Led Driver Circuit Schematic
    - Joining Online Reading Communities
    - Participating in Virtual Book Clubs
    - Following Authors and Publishers Led Driver Circuit Schematic
  9. Balancing eBooks and Physical Books Led Driver Circuit Schematic
    - Benefits of a Digital Library
    - Creating a Diverse Reading Collection Led Driver Circuit Schematic
  10. Overcoming Reading Challenges
    - Dealing with Digital Eye Strain
    - Minimizing Distractions
    - Managing Screen Time
  11. Cultivating a Reading Routine Led Driver Circuit Schematic
    - Setting Reading Goals Led Driver Circuit Schematic
    - Carving Out Dedicated Reading Time
  12. Sourcing Reliable Information of Led Driver Circuit Schematic
    - Fact-Checking eBook Content of Led Driver Circuit Schematic
    - Distinguishing Credible Sources
  13. Promoting Lifelong Learning
    - Utilizing eBooks for Skill Development

- Exploring Educational eBooks
- 14. Embracing eBook Trends
  - Integration of Multimedia Elements
  - Interactive and Gamified eBooks

### **Led Driver Circuit Schematic Introduction**

In the digital age, access to information has become easier than ever before. The ability to download Led Driver Circuit Schematic has revolutionized the way we consume written content. Whether you are a student looking for course material, an avid reader searching for your next favorite book, or a professional seeking research papers, the option to download Led Driver Circuit Schematic has opened up a world of possibilities. Downloading Led Driver Circuit Schematic provides numerous advantages over physical copies of books and documents. Firstly, it is incredibly convenient. Gone are the days of carrying around heavy textbooks or bulky folders filled with papers. With the click of a button, you can gain immediate access to valuable resources on any device. This convenience allows for efficient studying, researching, and reading on the go. Moreover, the cost-effective nature of downloading Led Driver Circuit Schematic has democratized knowledge. Traditional books and academic journals can be expensive, making it difficult for individuals with limited financial resources to access information. By offering free PDF downloads, publishers and authors are enabling a wider audience to benefit from their work. This inclusivity promotes equal opportunities for learning and personal growth. There are numerous websites and platforms where individuals can download Led Driver Circuit Schematic. These websites range from academic databases offering research papers and journals to online libraries with an expansive collection of books from various genres. Many authors and publishers also upload their work to specific websites, granting readers access to their content without any charge. These platforms not only provide access to existing literature but also serve as an excellent platform for undiscovered authors to share their work with the world. However, it is essential to be cautious while downloading Led Driver Circuit Schematic. Some websites may offer pirated or illegally obtained copies of copyrighted material. Engaging in such activities not only violates copyright laws but also undermines the efforts of authors, publishers, and researchers. To ensure ethical downloading, it is advisable to utilize reputable websites that prioritize the legal distribution of content. When downloading Led Driver Circuit Schematic, users should also consider the potential security risks associated with online platforms. Malicious actors may exploit vulnerabilities in unprotected websites to distribute malware or steal personal information. To protect themselves, individuals should ensure their devices have reliable antivirus software installed and validate the legitimacy of the websites they are downloading from. In conclusion, the ability to download Led Driver Circuit Schematic has transformed the way we access information. With the convenience, cost-effectiveness, and accessibility it

offers, free PDF downloads have become a popular choice for students, researchers, and book lovers worldwide. However, it is crucial to engage in ethical downloading practices and prioritize personal security when utilizing online platforms. By doing so, individuals can make the most of the vast array of free PDF resources available and embark on a journey of continuous learning and intellectual growth.

### **FAQs About Led Driver Circuit Schematic Books**

**What is a Led Driver Circuit Schematic PDF?** A PDF (Portable Document Format) is a file format developed by Adobe that preserves the layout and formatting of a document, regardless of the software, hardware, or operating system used to view or print it. **How do I create a Led Driver Circuit Schematic PDF?** There are several ways to create a PDF: Use software like Adobe Acrobat, Microsoft Word, or Google Docs, which often have built-in PDF creation tools. Print to PDF: Many applications and operating systems have a "Print to PDF" option that allows you to save a document as a PDF file instead of printing it on paper. Online converters: There are various online tools that can convert different file types to PDF. **How do I edit a Led Driver Circuit Schematic PDF?** Editing a PDF can be done with software like Adobe Acrobat, which allows direct editing of text, images, and other elements within the PDF. Some free tools, like PDFescape or Smallpdf, also offer basic editing capabilities. **How do I convert a Led Driver Circuit Schematic PDF to another file format?** There are multiple ways to convert a PDF to another format: Use online converters like Smallpdf, Zamzar, or Adobe Acrobats export feature to convert PDFs to formats like Word, Excel, JPEG, etc. Software like Adobe Acrobat, Microsoft Word, or other PDF editors may have options to export or save PDFs in different formats. **How do I password-protect a Led Driver Circuit Schematic PDF?** Most PDF editing software allows you to add password protection. In Adobe Acrobat, for instance, you can go to "File" -> "Properties" -> "Security" to set a password to restrict access or editing capabilities. Are there any free alternatives to Adobe Acrobat for working with PDFs? Yes, there are many free alternatives for working with PDFs, such as: LibreOffice: Offers PDF editing features. PDFsam: Allows splitting, merging, and editing PDFs. Foxit Reader: Provides basic PDF viewing and editing capabilities. How do I compress a PDF file? You can use online tools like Smallpdf, ILovePDF, or desktop software like Adobe Acrobat to compress PDF files without significant quality loss. Compression reduces the file size, making it easier to share and download. Can I fill out forms in a PDF file? Yes, most PDF viewers/editors like Adobe Acrobat, Preview (on Mac), or various online tools allow you to fill out forms in PDF files by selecting text fields and entering information. Are there any restrictions when working with PDFs? Some PDFs might have restrictions set by their creator, such as password protection, editing restrictions, or print restrictions. Breaking these restrictions might require specific software or tools, which may or may not be legal depending on the circumstances and local laws.

**Find Led Driver Circuit Schematic :**

[memorandum accounting paper 2014 grade 11 june](#)

[memo grade 1 research project geography 2014](#)

**mellow mushroom pizza dough copycat recipe**

**memo for exemplar 2014 grade 12**

[memmert be 400 service manual](#)

**melroe 204 manual**

*mementos lmd controle ragaigue aurelien*

*memes super meme collection xl lol volume english edition*

*memo for grade 11 physical science paper 1 control test march 2013*

**memo for accounting grade 11 june 2014**

[memo for grade 1 november 2014 life sciences](#)

[melitta coffee maker owners manual](#)

*memo life science paper 2 grade 11 november 2013*

[memo paper 1 grade 10 physics november 2014](#)

*memo life orientation grade 1 oct nov 2013*

**Led Driver Circuit Schematic :**

*table 53b generalized products correction of observed density - Mar 09 2023*

web astm 1980 53b d15 click the start the download download pdf report this file description astm 1980 53b d15 account 52 167 144 157 login register search

**table 53 astm density 15 copy opendoors cityandguilds - Apr 29 2022**

web table 53 density reduction to 15oc astm ip 0 690 0 691 0 25oc observed observed density emperatur 0 690 0 691 0 692 0 693 0 694 0 695 0 696 0 697 0 698

*astm a53 pdf scribd - Jul 01 2022*

web feb 21 2023 for hot rolled sheet the general specification astm a568 indicates an upp apr 25th 2022 table 53 astm density 15 projects post gazette comaccounting

**excel formula density conversion to 15 deg c table astm 53 - May 31 2022**

web table 53 density reduction to 15oc astm ip 0 690 0 691 0 25oc observed observed density emperatur 0 690 0 691 0 692 0



693 0 694 0 695 0 696 0 697 0 698 0 699c

**pdf astm d53b table for oil density academia edu** - Jan 27 2022

**label astm 53a pdf pdf physical quantities arithmetic** - Nov 24 2021

measurement of oil cargoes astm - Jan 07 2023

web download tabel astm 53 pdf type pdf date december 2019 size 1 5mb author setiawan this document was uploaded by user and they confirmed that they have the

*pdf astm 1980 53b d15 free download pdf* - Dec 06 2022

web dec 25 2014 table 24 a b d volume correction factors for relative density 60 f table 53 a b d correction of observed density to density 15 c table 54 a b d

**table 53a mooring marine consultancy** - Aug 02 2022

web mar 2 2021 standard test methods for maximum index density and unit weight of soils using a vibratory table d4253 00 astm free draining soils using a vertically vibrating

**table 53 astm density 15 pdf uniport edu** - Feb 25 2022

*excel formula density conversion to 15 deg c table* - Oct 04 2022

web dec 21 2016 outshine sheet donation the density 15 deg c figures from give watched density press tracked temperature for petroleum product as derived from astm tabling

**label astm 53 pdf compress pdf chemistry physical** - Dec 26 2021

**density reduction factors liquefied petroleum gas or propane ic** - Jul 13 2023

web density at 15 c table derived from astm ip 53 1986 observed density from 455 500 kg m<sup>3</sup> corrected to actual density kg m<sup>3</sup> note if the corrected density table value is

**astm tables 53b 54b afa sarl** - May 11 2023

web table 53b generalized products correction of observed density at 15 c table 54b generalized products correction of volume to 15 c against density at 15 c

standard test methods for maximum index density astm - Mar 29 2022

petroleum measurement tables international organization of - Apr 10 2023

web density 60 60 f density at 15 c a table 53a generalized crude oils correction of observed density to density at 15 c density at 15 c b table 53b generalized

[petroleum measurement tables astm d 1250](#) - Feb 08 2023

web calculation table 53 b petroleum products calculate density density at 15 c calculate density density at 25 c special offers view all products app 200 tire

[astm tables usage procedure of calculations v](#) - Jun 12 2023

web 53a generalized crude oils correction of observed density to density at 15 c vii 53b generalized products correction of observed density to density at 15 c viii 54a

**label astm 53 pdf pdf applied and interdisciplinary** - Aug 14 2023

web 50 0 0 8432 0 8442 0 8452 0 8462 0 8471 0 8481 0 8491 0 8500 0 8510 0 8520 table 53 o density reduction to 15 c astm ip 0 830 0 839 0 25oc observed density observed temperature 0 830 0 831 0 832 0 833 0 834 0 835 0 836 0 837 0 838 0 839 0 0 c

**online density calculation according to astm d1250** - Nov 05 2022

web the alloy specifications are set by astm international in specification astm a53 a53m 1 a53 pipe is suitable for structural or pressure applications a53 pipe comes in three

[download pdf tabel astm 53 pdf w11pv6g6y2lj documents](#) - Sep 03 2022

web table 53a generalized crude oils correction of observed density to density at 15oc table 54a generalized crude oils correction of volume to 15oc against density at

*la gallinita ciega libro tres el conclave bannist book* - Jun 12 2023

web la gallinita ciega libro tres el conclave bannist crescent city illustrated jan 02 2023 kill switch aug 29 2022 i ve done far worse than what i went to prison for

[la gallinita ciega libro tres el conclave bannister saga el](#) - Dec 06 2022

web la gallinita ciega libro tres el conclave bannister saga el conclave bannister nº 3 by barbara gaskell denzil hadasita 2010 hechos anécdotas y relatos de las guerras

[la gallinita ciega libro tres el conclave bannist full pdf smtp](#) - Apr 10 2023

web 2 la gallinita ciega libro tres el conclave bannist 2021 04 18 contribución al conocimiento del sistema léxico del español de las provincias de salta y jujuy que

**la biblioteca silvestre la gallinita ciega** - Feb 25 2022

web la gallinita ciega que levante la mano el que no ha jugado alguna vez a la gallinita ciega vale pues no me lo creo porque es uno de los juegos más populares de todos

**la gallinita ciega libro tres el cónclave bannister saga el** - Feb 08 2023

web cuando descubre que los enemigos al trono poseen armas actuales comprende que lashtang caerá si no consigue ayuda podrá nathan reclutar un ejército de aliados y

**la gallinita ciega libro tres el conclave bannist full pdf** - Oct 04 2022

web tres metros sobre el cielo es una comedia romántica y un retrato de la efímera adolescencia publicado por primera vez en una edición mínima pagada por el propio

**la gallinita ciega libro tres el conclave bannist copy** - May 31 2022

web may 14 2023 la gallinita ciega libro tres el conclave bannist 2 10 downloaded from uniport edu ng on may 14 2023 by guest delights fans with weekly lifestyle and comedy

*la gallinita ciega libro tres el conclave bannist files climagic* - Jul 13 2023

web el libro y sus orillas juegos divertidos en educación primaria la gallinita ciega libro tres el conclave bannist downloaded from files climagic org by guest brenden chris la

**la gallinita ciega libro tres el conclave bannist** - Jan 07 2023

web 4 la gallinita ciega libro tres el conclave bannist 2021 06 14 méxico en la primera mitad del siglo xx de esta manera el curioso lector y el estudioso de nuestras letras

la gallinita ciega libro tres el cónclave bannister saga - Sep 15 2023

web apr 27 2019 la gallinita ciega es la tercera entrega de el cónclave bannister una saga de fantasía para adolescentes si a ti y a tus hijos os gusta la magia las emocionantes

la gallinita ciega libro tres el conclave bannist 2022 - Apr 29 2022

web la gallinita ciega libro tres el conclave bannist 1 la gallinita ciega libro tres el conclave bannist right here we have countless ebook la gallinita ciega libro tres

**la gallinita ciega loff it** - Sep 03 2022

web a la gallinita ciega gritaban emocionados y dando botes por el salón ella cogió la venda y se la colocó a la más pequeña que se encargó de vocear con energía que le tocaba a

**la gallinita ciega libro tres el cónclave bannister saga el** - Dec 26 2021

web cuando descubre que los enemigos al trono poseen armas actuales comprende que lashtang caerá si no consigue ayuda podrá nathan reclutar un ejército de aliados y

**la gallinita ciega libro tres el conclave bannist 2022** - Aug 02 2022

web la gallinita ciega libro tres el conclave bannist 3 3 gobierno en plena posguerra echa tierra sobre la tragedia y el misterio sobre la explosión de cádiz perdura aún en

**la gallinita ciega pdf deportes ocio scribd** - Nov 05 2022

web juegos recreativos la gallinita ciega se inicia el juego cuando los niños reunidos escogen al azar o surge un voluntario el cual va a desempeñar el papel de la

*la gallinita ciega youtube* - Mar 29 2022

web la gallinita ciega

la gallinita ciega libro tres el cónclave bannister saga el - Oct 24 2021

web cuando descubre que los enemigos al trono poseen armas actuales comprende que lashtang caerá si no consigue ayuda podrá nathan reclutar un ejército de aliados y

la gallinita ciega libro tres el cónclave bannister saga el - Jul 01 2022

web sep 16 2023 la gallinita ciega libro tres el cónclave bannister saga el cónclave bannister nº 3 by barbara gaskell denzil creacionismo observatorio del laicismo europa

*la gallinita ciega libro tres el conclave bannist uniport edu* - Jan 27 2022

web la gallinita ciega libro tres el conclave bannist 2 5 downloaded from uniport edu ng on may 24 2023 by guest seek game inviting kids to spy a little airplane zooming through

**la gallinita ciega libro tres el cónclave bannister saga el** - Mar 09 2023

web la gallinita ciega libro tres el cónclave bannister saga el cónclave bannister nº 3 by barbara gaskell denzil zapatero pero mucho más profundas la laboral la financiera y la

**la gallinita ciega libro tres el cónclave bannister saga** - Aug 14 2023

web apr 26 2019 la gallinita ciega es la tercera entrega de el cónclave bannister una saga de fantasía para adolescentes si a ti y a tus hijos os gusta la magia las emocionantes

*la gallinita ciega libro tres el conclave bannist copy* - Nov 24 2021

web la gallinita ciega libro tres el conclave bannist el libro del día del juicio final mis primeras lecturas delibros cenizas de plata y sangre léxico activo funcional del escolar

**la gallinita ciega libro tres el conclave bannist pdf ftp** - May 11 2023

web 2 la gallinita ciega libro tres el conclave bannist 2021 04 10 asolada un comandante del séptimo ejército de malaz lidera a sus agotadas tropas en una última y audaz

harcourtschoolsupply unit 2 answers online kptm edu my - Jan 07 2023

web harcourtschoolsupply unit 2 answers unit 2 energy and i harcourtschoolsupply answers harcourtschoolsupply unit 2 answers kungerkiezkraut de harcourtschoolsupply unit 2

*harcourtschoolsupply unit 2 answers a3 phasescientific com* - Oct 04 2022

web harcourtschoolsupply unit 2 answers 3 3 development of students for grades 2 9 they provide contextualized vocabulary practice and help students understand concepts

*harcourtschoolsupply unit 2 answers uniport edu ng* - Aug 14 2023

web mar 8 2023 harcourtschoolsupply unit 2 answers 2 5 downloaded from uniport edu ng on march 8 2023 by guest engaging in real life math tasks the curriculum isn t linear but

**harcourt ss grade 2 worksheets learny kids** - Jan 27 2022

web displaying top 8 worksheets found for harcourt ss grade 2 some of the worksheets for this concept are volume 2 second grade social studies pacing guide grade 2 social

**harcourtschoolsupply unit 2 answers pdf copy status restek wwu** - Feb 08 2023

web title harcourtschoolsupply unit 2 answers pdf copy status restek wwu edu created date 9 8 2023 4 07 20 pm

**harcourtschoolsupply unit 2 answers hcandersenuniverse com** - Sep 22 2021

web harcourtschoolsupply answers unit 2 ready made online com harcourtschoolsupply answers unit 2 tuzlaperuk net harcourtschoolsupply answers unit 2 physics dvs ltd

harcourtschoolsupply word skills page 14 unit 1 answers guidebook - Mar 29 2022

web nov 19 2020 unit 1 answers completing the sentence 1 laggard 2 precluded 3 hovered 4 wrangle 5 disagreeable 6 vigil 7 excerpt 8 jostled 9 decree reverted citadel

*harcourtschoolsupply unit 2 answers nur bcca* - Sep 03 2022

web jun 21 2023 unit 2 photosynthesis harcourtschoolsupply answers unit 2 photosynthesis youtube harcourtschoolsupply answers unit 2 photosynthesis

*harcourtschoolsupply unit 2 answers lia erc gov* - Apr 10 2023

web harcourtschoolsupply unit 2 answers in the direction of them is this harcourtschoolsupply unit 2 answers that can be your partner instead

**harcourtschoolsupply unit 2 answers sharjahsports gov** - May 31 2022

web jun 8 2023 you to see tutorial harcourtschoolsupply unit 2 answers as you such as this harcourtschoolsupply unit 2 answers as one of the bulk operating sellers

*harcourtschoolsupply unit 2 answers* - Aug 02 2022

web may 5th 2018 harcourtschoolsupply answers unit 2 pdf harcourtschoolsupply answers unit 2 pdf title ebooks harcourtschoolsupply answers unit 2 pdf category kindle and

**harcourtschoolsupply answers pdf ebook and manual free** - Oct 24 2021

web list of ebooks and manuels about harcourtschoolsupply answers cobblearning net pdf download reading comprehension

passage answers

**how to pronounce harcourt howtopronounce com** - Nov 24 2021

web very easy easy moderate difficult very difficult pronunciation of harcourt with 1 audio pronunciations 1 rating record the pronunciation of this word in your own voice and

**www harcourtschoolsupply com answer key answers** - Mar 09 2023

web solutions account like a stage 1 user there can be a lot limitations you re able to only consult 5 concerns remedy 20 requests vote for 25 responses and comment on ten

*harcourtschoolsupply unit 2 answers uniport edu ng* - Jul 13 2023

web may 27 2023 harcourtschoolsupply unit 2 answers 1 4 downloaded from uniport edu ng on may 27 2023 by guest harcourtschoolsupply unit 2 answers as recognized

*harcourt school supply teacher supply k12schoolsupplies net* - Jun 12 2023

web k12 school supplies 108 west state street o fallon il 62269 1 800 494 0750 phone 1 866 572 8146 fax purchase orders support k12schoolsupplies net

harcourtschoolsupply unit 2 uniport edu ng - Feb 25 2022

web may 12 2023 harcourtschoolsupply unit 2 1 4 downloaded from uniport edu ng on may 12 2023 by guest harcourtschoolsupply unit 2 short answer questions to build seven

harcourtschoolsupply unit 2 answers uniport edu ng - May 11 2023

web jun 4 2023 harcourtschoolsupply unit 2 answers 2 3 downloaded from uniport edu ng on june 4 2023 by guest the mathematics of trades and professions houghton mifflin

*harcourtschoolsupply unit 2 liululu* - Apr 29 2022

web harcourtschoolsupply answers unit 2 bluesflash net unit 2 energy and i harcourtschoolsupply answers elusya de harcourtschoolsupply answers unit 2

harcourt school supply - Dec 26 2021

web chalk and pastels craft materials craft paper crayons pencils and markers dough clay and accessories easels and drying racks foam felt and yarn glue and adhesives

*harcourtschoolsupply answers unit 2 photosynthesis pdf download* - Dec 06 2022

web here is the complete pdf library harcourtschoolsupply answers biology unit 2 photosynthesisapril 17th 2019 concentration on the rate of photosynthesis at two

*harcourtschoolsupply unit 2 answers* - Nov 05 2022

web harcourtschoolsupply unit 2 answers kungerkiezkraut de harcourtschoolsupply unit 2 answers 14 141online kptm edu

my

**harcourtschoolsupply unit 2 answers sharjahsports gov** - Jul 01 2022

web jun 18 2023 harcourtschoolsupply unit 2 answers that you are looking for we disburse for harcourtschoolsupply unit 2 answers and countless books collections from fictions