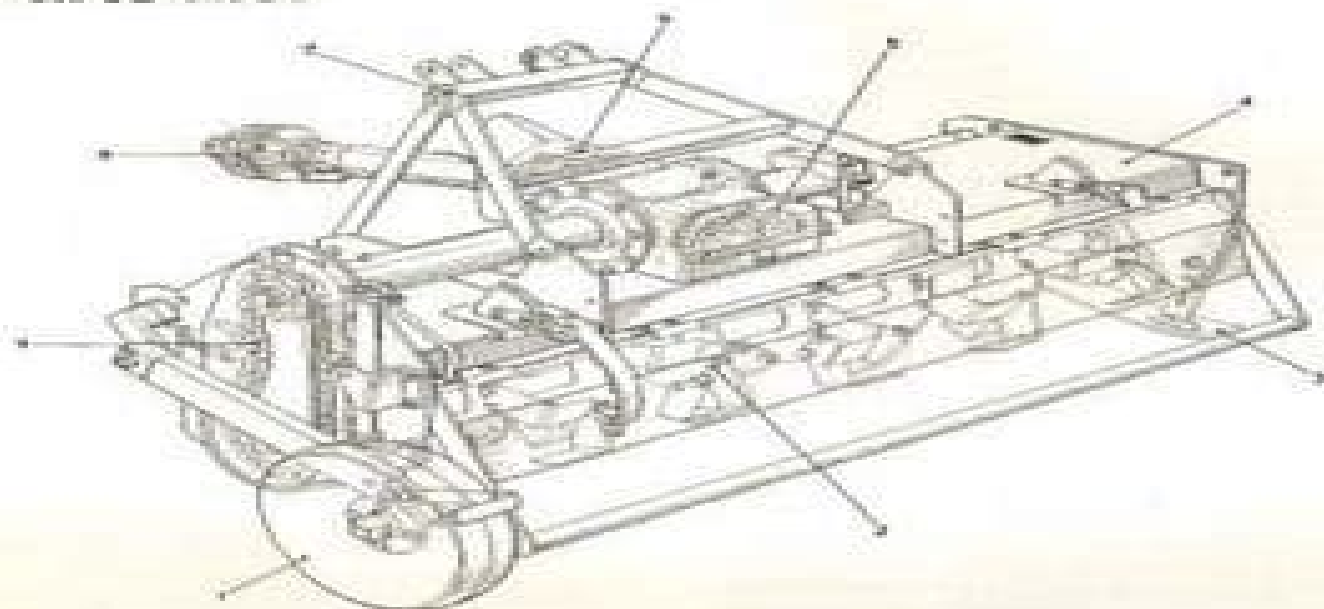


# HE Rotavator Operating Instructions and Parts List



## INTRODUCTION

To obtain the best results follow these instructions carefully and do not neglect the lubrication and maintenance necessary to keep the machine in good working order.

All directions, left and right are given when standing behind the ROTAVATOR and facing towards the tractor.

## DESCRIPTION

The HOWARD HE Series ROTAVATOR is intended for use with tractors having from 37-75 hp (25-55 kw) 540 or 1000rpm pto and working widths from 127 cm (50 inches) to 229 cm (90 inches).

Drive is via the universal joint assembly, (8) safety clutch (6), SELECTATILT<sup>®</sup> multi-speed gearbox (5) and heavy duty chain side drive (9) to the rotor (2).

Depth of tillage is maintained by rear mounted depth control wheels, (1) slides (3) or an optional crumble roller.

Suitable for either category I or II 3-point linkage, the HE Series can be centrally mounted and the 50, 60 and 70 versions can be offset 265mm (10 inches)

## KEY

- |                       |                            |
|-----------------------|----------------------------|
| 1 Depth control wheel | 6 Safety clutch            |
| 2 Rotor               | 7 Top mast                 |
| 3 Slide               | 8 Universal joint assembly |
| 4 Hull                | 9 Side drive               |
| 5 Selectatilt gearbox |                            |

The type of till produced is controlled by:-

- (a) The type and moisture content of the soil - see page 10.
- (b) The type of rotor - see page 4
- (c) The rotor speed - see pages 2 and 10.
- (d) The trailing board position - see page 10.
- (e) The tractor power and speed - see page 10.

Optional equipment:-

- |                |                              |
|----------------|------------------------------|
| 50, 60, 70,    | Slip flange rotor            |
| 60, 70, 80, 90 | Rear tool bar                |
| 70, 80, 90     | Front power relief types     |
| 80, 90         | Spike rotor - Crumble roller |

## WORKING WIDTHS

As illustrated above:

- |    |                   |
|----|-------------------|
| 50 | 125cm (50 inches) |
| 60 | 152cm (60 inches) |
| 70 | 178cm (70 inches) |
| 80 | 204cm (80 inches) |

# Howard Backhoe Manual

**R Bogdan**



**Howard Backhoe Manual:**

*Public Works Manual and Catalog File* ,1977      *Public Works Manual* ,1981      *New Hampshire Register, State Yearbook and Legislative Manual* ,2002      Hydraulic Service Manual for Howard Power Arm Howard Rotavator Company, Inc,1973      *Catalog of Copyright Entries. Third Series* Library of Congress. Copyright Office,1968      **Power Farming in Australia and New Zealand Technical Manual** ,1978      *Rural Lines* ,1958      **Operator's, Organizational, Direct Support, and General Support Maintenance Manual (including Repair Parts List)** ,1982      Stanton v City of Battle Creek, 466 Mich 611 (2002) ,2002 115909      **Public Works** ,1976

## Embracing the Song of Expression: An Emotional Symphony within **Howard Backhoe Manual**

In some sort of used by screens and the ceaseless chatter of quick connection, the melodic splendor and emotional symphony produced by the written word frequently disappear into the back ground, eclipsed by the persistent noise and distractions that permeate our lives. However, situated within the pages of **Howard Backhoe Manual** an enchanting literary value full of natural emotions, lies an immersive symphony waiting to be embraced. Crafted by an elegant composer of language, that captivating masterpiece conducts readers on a mental trip, well unraveling the hidden tunes and profound influence resonating within each carefully crafted phrase. Within the depths with this emotional review, we can explore the book is central harmonies, analyze their enthralling writing design, and submit ourselves to the profound resonance that echoes in the depths of readers souls.

<https://staging.conocer.cide.edu/files/scholarship/HomePages/Lightroom%20Missing%20Manual.pdf>

### **Table of Contents Howard Backhoe Manual**

1. Understanding the eBook Howard Backhoe Manual
  - The Rise of Digital Reading Howard Backhoe Manual
  - Advantages of eBooks Over Traditional Books
2. Identifying Howard Backhoe Manual
  - Exploring Different Genres
  - Considering Fiction vs. Non-Fiction
  - Determining Your Reading Goals
3. Choosing the Right eBook Platform
  - Popular eBook Platforms
  - Features to Look for in an Howard Backhoe Manual
  - User-Friendly Interface
4. Exploring eBook Recommendations from Howard Backhoe Manual
  - Personalized Recommendations

- Howard Backhoe Manual User Reviews and Ratings
- Howard Backhoe Manual and Bestseller Lists
- 5. Accessing Howard Backhoe Manual Free and Paid eBooks
  - Howard Backhoe Manual Public Domain eBooks
  - Howard Backhoe Manual eBook Subscription Services
  - Howard Backhoe Manual Budget-Friendly Options
- 6. Navigating Howard Backhoe Manual eBook Formats
  - ePub, PDF, MOBI, and More
  - Howard Backhoe Manual Compatibility with Devices
  - Howard Backhoe Manual Enhanced eBook Features
- 7. Enhancing Your Reading Experience
  - Adjustable Fonts and Text Sizes of Howard Backhoe Manual
  - Highlighting and Note-Taking Howard Backhoe Manual
  - Interactive Elements Howard Backhoe Manual
- 8. Staying Engaged with Howard Backhoe Manual
  - Joining Online Reading Communities
  - Participating in Virtual Book Clubs
  - Following Authors and Publishers Howard Backhoe Manual
- 9. Balancing eBooks and Physical Books Howard Backhoe Manual
  - Benefits of a Digital Library
  - Creating a Diverse Reading Collection Howard Backhoe Manual
- 10. Overcoming Reading Challenges
  - Dealing with Digital Eye Strain
  - Minimizing Distractions
  - Managing Screen Time
- 11. Cultivating a Reading Routine Howard Backhoe Manual
  - Setting Reading Goals Howard Backhoe Manual
  - Carving Out Dedicated Reading Time
- 12. Sourcing Reliable Information of Howard Backhoe Manual
  - Fact-Checking eBook Content of Howard Backhoe Manual

- Distinguishing Credible Sources
- 13. Promoting Lifelong Learning
  - Utilizing eBooks for Skill Development
  - Exploring Educational eBooks
- 14. Embracing eBook Trends
  - Integration of Multimedia Elements
  - Interactive and Gamified eBooks

### **Howard Backhoe Manual Introduction**

Free PDF Books and Manuals for Download: Unlocking Knowledge at Your Fingertips In today's fast-paced digital age, obtaining valuable knowledge has become easier than ever. Thanks to the internet, a vast array of books and manuals are now available for free download in PDF format. Whether you are a student, professional, or simply an avid reader, this treasure trove of downloadable resources offers a wealth of information, conveniently accessible anytime, anywhere. The advent of online libraries and platforms dedicated to sharing knowledge has revolutionized the way we consume information. No longer confined to physical libraries or bookstores, readers can now access an extensive collection of digital books and manuals with just a few clicks. These resources, available in PDF, Microsoft Word, and PowerPoint formats, cater to a wide range of interests, including literature, technology, science, history, and much more. One notable platform where you can explore and download free Howard Backhoe Manual PDF books and manuals is the internet's largest free library. Hosted online, this catalog compiles a vast assortment of documents, making it a veritable goldmine of knowledge. With its easy-to-use website interface and customizable PDF generator, this platform offers a user-friendly experience, allowing individuals to effortlessly navigate and access the information they seek. The availability of free PDF books and manuals on this platform demonstrates its commitment to democratizing education and empowering individuals with the tools needed to succeed in their chosen fields. It allows anyone, regardless of their background or financial limitations, to expand their horizons and gain insights from experts in various disciplines. One of the most significant advantages of downloading PDF books and manuals lies in their portability. Unlike physical copies, digital books can be stored and carried on a single device, such as a tablet or smartphone, saving valuable space and weight. This convenience makes it possible for readers to have their entire library at their fingertips, whether they are commuting, traveling, or simply enjoying a lazy afternoon at home. Additionally, digital files are easily searchable, enabling readers to locate specific information within seconds. With a few keystrokes, users can search for keywords, topics, or phrases, making research and finding relevant information a breeze. This efficiency saves time and effort, streamlining the learning process and allowing individuals to focus on extracting the information they

need. Furthermore, the availability of free PDF books and manuals fosters a culture of continuous learning. By removing financial barriers, more people can access educational resources and pursue lifelong learning, contributing to personal growth and professional development. This democratization of knowledge promotes intellectual curiosity and empowers individuals to become lifelong learners, promoting progress and innovation in various fields. It is worth noting that while accessing free Howard Backhoe Manual PDF books and manuals is convenient and cost-effective, it is vital to respect copyright laws and intellectual property rights. Platforms offering free downloads often operate within legal boundaries, ensuring that the materials they provide are either in the public domain or authorized for distribution. By adhering to copyright laws, users can enjoy the benefits of free access to knowledge while supporting the authors and publishers who make these resources available. In conclusion, the availability of Howard Backhoe Manual free PDF books and manuals for download has revolutionized the way we access and consume knowledge. With just a few clicks, individuals can explore a vast collection of resources across different disciplines, all free of charge. This accessibility empowers individuals to become lifelong learners, contributing to personal growth, professional development, and the advancement of society as a whole. So why not unlock a world of knowledge today? Start exploring the vast sea of free PDF books and manuals waiting to be discovered right at your fingertips.

## **FAQs About Howard Backhoe Manual Books**

1. Where can I buy Howard Backhoe Manual books? Bookstores: Physical bookstores like Barnes & Noble, Waterstones, and independent local stores. Online Retailers: Amazon, Book Depository, and various online bookstores offer a wide range of books in physical and digital formats.
2. What are the different book formats available? Hardcover: Sturdy and durable, usually more expensive. Paperback: Cheaper, lighter, and more portable than hardcovers. E-books: Digital books available for e-readers like Kindle or software like Apple Books, Kindle, and Google Play Books.
3. How do I choose a Howard Backhoe Manual book to read? Genres: Consider the genre you enjoy (fiction, non-fiction, mystery, sci-fi, etc.). Recommendations: Ask friends, join book clubs, or explore online reviews and recommendations. Author: If you like a particular author, you might enjoy more of their work.
4. How do I take care of Howard Backhoe Manual books? Storage: Keep them away from direct sunlight and in a dry environment. Handling: Avoid folding pages, use bookmarks, and handle them with clean hands. Cleaning: Gently dust the covers and pages occasionally.

5. Can I borrow books without buying them? Public Libraries: Local libraries offer a wide range of books for borrowing. Book Swaps: Community book exchanges or online platforms where people exchange books.
6. How can I track my reading progress or manage my book collection? Book Tracking Apps: Goodreads, LibraryThing, and Book Catalogue are popular apps for tracking your reading progress and managing book collections. Spreadsheets: You can create your own spreadsheet to track books read, ratings, and other details.
7. What are Howard Backhoe Manual audiobooks, and where can I find them? Audiobooks: Audio recordings of books, perfect for listening while commuting or multitasking. Platforms: Audible, LibriVox, and Google Play Books offer a wide selection of audiobooks.
8. How do I support authors or the book industry? Buy Books: Purchase books from authors or independent bookstores. Reviews: Leave reviews on platforms like Goodreads or Amazon. Promotion: Share your favorite books on social media or recommend them to friends.
9. Are there book clubs or reading communities I can join? Local Clubs: Check for local book clubs in libraries or community centers. Online Communities: Platforms like Goodreads have virtual book clubs and discussion groups.
10. Can I read Howard Backhoe Manual books for free? Public Domain Books: Many classic books are available for free as they're in the public domain. Free E-books: Some websites offer free e-books legally, like Project Gutenberg or Open Library.

### **Find Howard Backhoe Manual :**

[lightroom missing manual](#)

[lighting switch wiring diagram](#)

[life science trial exam paper 1 2014 northern cape](#)

**liftmaster elite series 3800 manual**

**light while there is light an american history**

*life sciences grade 11 march 2014 examination paper*

[life sciences grade 1 exemplar paper 2 2014](#)

[life sciences exams grade 10](#)

[life sciences examination paper june 24](#)

[life sciences papergrade12014](#)

**life sciences gradenovember2014**



*life sciences grd 2014 first term paper*

~~liftmaster 890max remote manual~~

**life sciences paper one scope 2014**

life sciences paper 1 limpopo september 2014

**Howard Backhoe Manual :**

**turkey what everyone needs to know amazon com tr** - Feb 26 2022

web turkey what everyone needs to know finkel andrew maxon ken amazon com tr kitap

**turkey travel guide all you need to know times travel** - Dec 07 2022

web aug 29 2023 fly or take the train to istanbul to explore the basilica of hagia sophia the blue mosque the sensory overload of the grand bazaar and the foodie backstreets of sultanahmet then take a

*turkey what everyone needs to know stephen jones a blog* - Apr 30 2022

web dec 19 2021 andrew finkel turkey what everyone needs to know 2012 for all its populist q a format it s full of useful insights constantly unpacking simplistic preconceptions while presenting a range of viewpoints both within turkey and abroad based on the author s long experience as a journalist based in istanbul

turkey what everyone needs to know google books - Jul 02 2022

web in this concise book finkel unravels turkey s complexities setting them against the historical background of the ottoman empire the secular nationalist revolution led by kemal atatürk and

turkey what everyone needs to know - Dec 27 2021

web turkey in the world where does turkey fit into the world how did turkey respond to the end of the cold war what changes has the ak party made how strong is the u s turkish alliance what is turkey s relationship with israel and what are its effects what are turkey s relations with the european union

turkey what everyone needs to know by andrew finkel goodreads - Apr 11 2023

web feb 2 2012 3 61 190 ratings25 reviews turkey occupies a strategic position in today s the only predominantly muslim nation to be a member of nato and an ally of israel it straddles both europe and asia turkey is the link between islam and western democracy between europe and the middle east

**turkey what everyone needs to know what everyone needs** - Jan 28 2022

web jun 7 2012 finkel reveals a nation full of surprises turkey s labyrinthine politics often lead to such unexpected outcomes as leaders of the untra nationalist party starting on the road to eu membership by

**turkey what everyone needs to know by andrew finkel** - Aug 03 2022

web jan 7 2013 we gave away 5 copies of turkey what everyone needs to know by andrew finkel ebook version to see who won see our post and video in which we picked the winners even though the title of this book is ludicrous andrew finkel adds an excellent work to the conversation in turkey what everyone needs to know

[turkey what everyone needs to know amazon com](#) - Jun 13 2023

web mar 2 2012 from the kurdish question to economic policy from turkey s role in iraq to its quest for eu membership finkel illuminates the past and present of this unique and uniquely consequential country in turkey what everyone needs to know what everyone needs to know is a registered trademark of oxford university press

*turkey paperback andrew finkel oxford university press* - Jul 14 2023

web mar 2 2012 what everyone needs to know lively writing in an accessible question and answer format andrew finkel is a veteran journalist with twenty years of experience writing about turkey for major news outlets such as the economist time and the times

*turkey what everyone needs to know google books* - Jun 01 2022

web turkey is the link between islam and western democracy between europe and the middle east in this concise introduction andrew finkel who has spent twenty years in turkey writing about the country for publications such as the economist and time magazine unravels turkey s complexities

**turkey in the world what everyone needs to know** - Mar 30 2022

web where does turkey fit into the world a map is the obvious place to see where turkey fits in the world it lies at the intersection of several overlapping regions the balkans the caucasus the middle and near east and the eastern mediterranean however the

**turkey what everyone needs to know finkel andrew 1953** - May 12 2023

web turkey what everyone needs to know by finkel andrew 1953 publication date 2012 topics turkey history turkey civilization turkey politics and government turkey economic conditions publisher oxford new york oxford university press *turkey what everyone needs to know what everyone needs to know* - Jan 08 2023

web turkey occupies a strategic position in today s world culturally historically and geographically it is the link between islam and western democracy between europe and the middle east the only predominantly muslim nation to be a member of nato and an ally of israel turkey straddles both europe and asia

**turkey what everyone needs to know amazon com** - Sep 04 2022

web mar 2 2012 by andrew finkel author format kindle edition 4 1 86 ratings see all formats and editions turkey occupies a strategic position in today s world the only predominantly muslim nation to be a member of nato and an ally of israel it straddles both europe and asia

[turkey what everyone needs to know google play](#) - Mar 10 2023

web turkey what everyone needs to know ebook written by andrew finkel read this book using google play books app on your pc android ios devices download for offline reading highlight bookmark or take notes while you

**turkey what everyone needs to know oxford university press** - Oct 05 2022

web lively writing in an accessible question and answer format andrew finkel is a veteran journalist with twenty years of experience writing about turkey for major news outlets such as the economist time and the times turkey is a key strategic and cultural link between the west and the middle east

[things you need to know before visiting turkey culture trip](#) - Aug 15 2023

web oct 26 2022 from diverse cuisine to fascinating history turkey is an exciting place to visit for any traveller whether it s for a quick stopover or long break here s what you need to know before entering the country

[10 things to know about turkey u s news world report](#) - Nov 06 2022

web oct 9 2019 here are 10 things to know about turkey 1 more than 99 of the country s estimated 81 million people identify as sunni muslim 2 the country is home to 18 unesco designated world heritage sites

**turkey what everyone needs to know google books** - Feb 09 2023

web turkey is the link between islam and western democracy between europe and the middle east in this concise introduction andrew finkel who has spent twenty years in turkey writing about the country for publications such as the economist and time magazine unravels turkey s complexities

[machine drawing by n d bhatt 2014 pdf scribd](#) - Jun 13 2023

web arm 6 txt catálogo dajer s r l carlos larios ochaita derecho internacional publico machine drawing by n d bhatt 2014 read book online for free

**engineering drawing by n d bhatt pdf google drive** - Mar 10 2023

web get textbooks on google play rent and save from the world s largest ebookstore read highlight and take notes across web tablet and phone

[download nd bhatt engineering drawing solutions pdf](#) - Aug 15 2023

web download nd bhatt engineering drawing solutions pdf type pdf date october 2019 size 98kb author akki this document was uploaded by user and they confirmed that

**solutions of engineering drawing by n d bhatt request** - Apr 30 2022

web n d bhatt is the author of the popular engineering textbook engineering drawing or engineering drawing and graphics technology the book is widely used in

**machine drawing n d bhatt google books** - Jul 14 2023

web machine drawing n d bhatt charotar publishing house pvt limited 2008 366 pages this text book follows i the metric system of length measurement and ii first

*nd bhatt engineering drawing solutions pdf epdfx com* - Oct 17 2023

web nd bhatt engineering drawing solutions pdf click the start the download download pdf report this file description a book for eg account 40 77 167 40 login register

*machine drawing by n d bhatt solution pdf esource svb* - Jan 28 2022

web download me semester iii pdf machine drawing by ps gill b d kataria an d sons ludhiana 3 machine drawing by n d bhatt charotar publications 4 machine

*engineering drawing by n d bhatt n d bhatt* - Sep 16 2023

web sep 5 2020 an illustration of a computer application window wayback machine an illustration of an open book books an illustration of two cells of a film strip video an

*machine drawing n d bhatt google books* - Feb 09 2023

web this well known text book gives complete knowledge on the subject of machine drawing 1 principles of projection mechanical drafting and production drawing it

*machine drawing 49 ed in first angle projection* - Sep 04 2022

web geometrical and machine drawing by n d bhatt product design and value engineering by dr m a bulsara dr h r thakkar town illustrative problems exercises 4

**engineering graphics by nd bhatt solution manual google docs** - Jul 02 2022

web n d bhatt engineering drawing solutions major raja aziz bhatti urdu Ø Ø Ø Û Ø¹Ø²ÛØ² Ø Û¼Û¹ÛØ b 6 august 1928â 12 september 1965 born as aziz ahmad

**machine drawing by n d bhatt pdf gear scribd** - Jan 08 2023

web solutions multimedia content analysis pdf for machine design by khurmi and gupta its a 3d rotating view of a component which is given in the text book on engineering

*nd bhatt engineering drawing solutions pdf pdf scribd* - Dec 07 2022

web aug 24 2018 need engineering drawing solutions orthographic iso sectional views book 1 answer 673 views 0 followers when i to make assembly in solidwork i need to link the

**n d bhatt engineering drawing book solutions pdf download** - Mar 30 2022

web machine drawing by n d bhatt solution engineering drawing plane and solid geometry jan 16 2023 machine drawing a textbook for engineering students

machine drawing book intro by nd bhatt pdf - May 12 2023

web may 17 2021 n d bhatt engineering drawing projections of points solution nd bhatt exercise 9 solutions recommend books n d bhatt engineering drawing

**n d bhatt engineering drawing solutions pdf pdf scribd** - Jun 01 2022

web nov 30 2017 re solutions of engineering drawing by n d bhatt request can anyone send me ebook for engineering drawing by n d bhatt to rajeshmoliya gmail com 30th

*n d bhatt engineering drawing projections of points solution* - Apr 11 2023

web sign in engineering drawing by n d bhatt pdf google drive sign in

**machine drawing by n d bhatt solution copy** - Feb 26 2022

web 4 machine drawing by n d bhatt solution 2022 07 23 the more you play with it the more it will learn so far we have trained it on a few hundred concepts and we hope to add

**n d bhatt machine drawing pdf ebook and manual free download** - Dec 27 2021

**need n d bhatt engineering drawing exercises solutions pdf link** - Nov 06 2022

web mar 24 2020 engineering drawing projections of pointsproblem1 draw the projections of the following points on the same ground line keeping the projections 25

machine drawing by n d bhatt charotar publication - Aug 03 2022

web solution manual for higher engineering mathematics by ramana drawing describing any information engineering drawing graphical means of expression of technical calculus by

exercises 9 projections of points solutions n d bhatt textbook - Oct 05 2022

web machine drawing 49 ed in first angle projection method unknown binding 1 january 2014 by n d bhatt author 4 2 4 2 out of 5 stars 84 ratings

**history of the arabs philip k hitti google books** - Apr 16 2023

sep 26 2002 history of the arabs philip k hitti macmillan education uk sep 26 2002 political science 822 pages this authoritative study of the arabs and the arabic speaking

**history of the arabs philip k hitti google books** - Jan 13 2023

history of the arabs philip k hitti author paperback 49 95 44 95 hardback 160 00 144 00 quantity in stock 44 95 rrp 49 95 website price saving 5 00 10 add to

**history of the arabs philip khuri hitti google books** - Aug 08 2022

dec 24 2009 history of the arabs by philip k hitti pp xvii 767 london macmillan and co ltd 1937 31 s 6 d published online by cambridge university press 24 december 2009 j

*history of the arabs by philip k hitti professor of semitic* - Jul 07 2022

history of the arabs rujukan induk dan paling otoritatif tentang sejarah peradaban islam philip khuri hitti penerbit serambi 2005 arabian peninsula 981 pages philip khuri hitti

**history of the arabs google books** - Mar 03 2022

jan 18 2015 the arabs a short history philip k hitti usage public domain mark 1 0 topics history arab civilization muslim civilization collection opensource language

*history of the arabs philip k hitti 10th edition* - Jan 01 2022

**history of the arabs book wikipedia** - Feb 14 2023

into two ethnic stocks arabian arabs iirz bak and arabicized arabs musta ribak the aribah according to them are yamanites descended from qal ttan the joktan of the old testament

the arabs a short history philip khuri hitti google books - Dec 12 2022

history of the arabs author philip khuri hitti edition 4 publisher macmillan 1949 original from the university of michigan digitized may 23 2006 length 767 pages export

**history of the arabs amazon co uk philip k hitti** - Feb 02 2022

*the arabs a short history philip k hitti archive org* - Oct 30 2021

**history of the arabs philip k hitti free download** - Sep 21 2023

mar 14 2023 history of the arabs from the earliest times to the present philip k hitti 10th edition umair mirza free download borrow and streaming internet archive by

history of the arabs hitti philip k philip khuri 1886 1978 - Mar 15 2023

oct 1 1996 the arabs a short history the arabs philip khuri hitti regnery publishing oct 1 1996 history 273 pages from the ancient cultures of the middle east have sprung

**history of the arabs by philip k hitti pp xvii 767 london** - Apr 04 2022

nov 18 2022 history of the arabs by philip k hitti publication date 1964 collection inlibrary printdisabled internetarchivebooks contributor

p k hitti history of the arabs philip k hitti 1970 springer - Nov 11 2022

history of the arabs by philip k hitti professor of semitic literature on the william and annie s paton foundation princeton university new york macmillan company 1937 pp xvii

**philip k hitti wikipedia** - Jun 18 2023

arabs civilization arab arabs civilization arab arabian peninsula history arabian peninsula publisher london macmillan new york st martin s press

[history of the arabs revised 10th edition amazon com](#) - Sep 09 2022

here is the story of the rise of islam in the middle ages its conquests its empire its time of greatness and of decay unrolling one of the richest and most instructive panoramas in history

**history of the arabs philip k hitti red globe press** - May 05 2022

dec 31 2014 attribution noncommercial noderivs 4 0 international topics history of the arabs philip k hitti philip hitti history of arabs arabian history modern arabian

*history of the arabs philip k hitti free download borrow and* - Nov 30 2021

[history of the arabs from the earliest times to the present](#) - Jul 19 2023

sep 26 2002 this authoritative study of the arabians and the arabic speaking peoples is a valuable source of information on arab history suitable for both scholars and the general

*p k hitti history of the arabs philip k hitti 1970 springer* - Jun 06 2022

buy history of the arabs 10th edition by philip k hitti isbn 9780333631416 from amazon s book store everyday low prices and free delivery on eligible orders

[history of the arabs springerlink](#) - May 17 2023

history of the arabs is a book written by philip khuri hitti and was first published in 1937 1 hitti spent 10 years writing this book 2 according to hitti s own account in 1927 the editor

**history of the arabs philip k hitti free download** - Aug 20 2023

philip khuri hitti was born in the mount lebanon mutassarifate on 22 june 1886 into a maronite christian family in the village of shemlan some 25 km southeast from beirut up in mount lebanon he was educated at an american presbyterian mission school at suq al gharb and then at the syrian protestant college after graduating in 1908 he taught there before moving to columbia university where he earned his phd in 1915 and taught semitic languages after world war i he

*history of the arabs philip k hitti red globe press* - Oct 10 2022

p k hitti history of the arabs philip k hitti 1970 qays versus yaman 280 part ill the ruling class were only too symptomatic of general moral turpitude