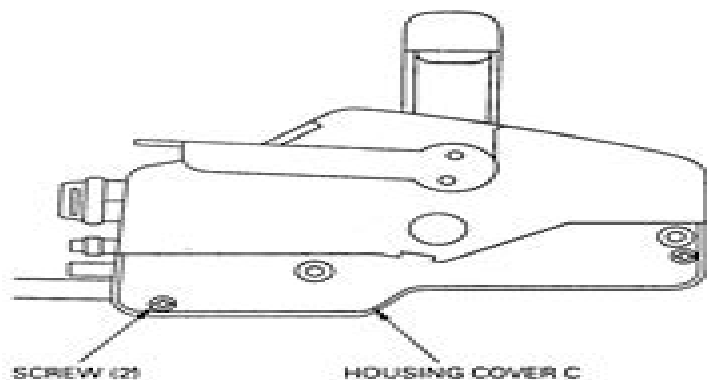


REMOTE CONTROL CABLE INSTALLATION (REMOTE CONTROL END)

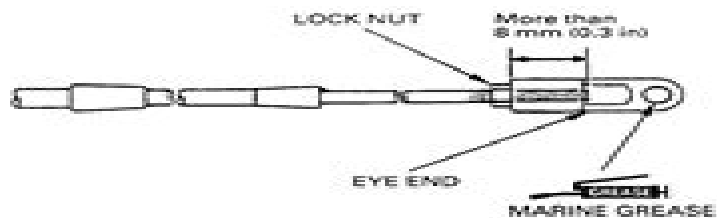
[SIDE-MOUNT CONTROL]

Route the remote control cable and connect to the remote control box side first.

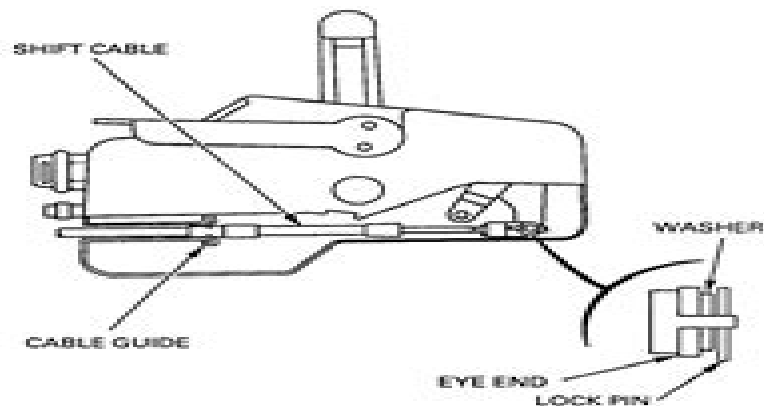
1. Remove the two screws and housing cover C.



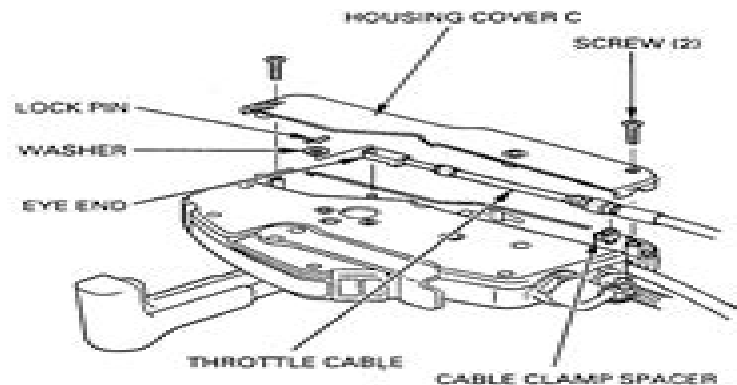
2. Screw the lock nuts and eye ends more than 8 mm (0.3 in) onto the control box side of the remote control cable and tighten the lock nut securely to hold the pivot. Apply marine grease to the hole of the eye end.



3. Install the shift cable by aligning the groove of the control cable with the cable guide plate.
4. Connect the eye end to the shift lever using the washer and 6 mm lock pin.



5. Install the cable clamp spacer.
6. Install the throttle control cable by aligning the groove with the cable guide plate.
7. Connect the eye end to the shift lever using the washer and 6 mm lock pin.
8. Install the housing cover C and secure with the two screws.



Honda Marine Control Manual

Clemens Wendtner



Honda Marine Control Manual:

Uncover the mysteries within Explore with is enigmatic creation, Discover the Intrigue in **Honda Marine Control Manual** . This downloadable ebook, shrouded in suspense, is available in a PDF format (PDF Size: *). Dive into a world of uncertainty and anticipation. Download now to unravel the secrets hidden within the pages.

<https://staging.conocer.cide.edu/book/Resources/HomePages/He%20Who%20Fears%20The%20Wolf.pdf>

Table of Contents Honda Marine Control Manual

1. Understanding the eBook Honda Marine Control Manual
 - The Rise of Digital Reading Honda Marine Control Manual
 - Advantages of eBooks Over Traditional Books
2. Identifying Honda Marine Control Manual
 - Exploring Different Genres
 - Considering Fiction vs. Non-Fiction
 - Determining Your Reading Goals
3. Choosing the Right eBook Platform
 - Popular eBook Platforms
 - Features to Look for in an Honda Marine Control Manual
 - User-Friendly Interface
4. Exploring eBook Recommendations from Honda Marine Control Manual
 - Personalized Recommendations
 - Honda Marine Control Manual User Reviews and Ratings
 - Honda Marine Control Manual and Bestseller Lists
5. Accessing Honda Marine Control Manual Free and Paid eBooks
 - Honda Marine Control Manual Public Domain eBooks
 - Honda Marine Control Manual eBook Subscription Services
 - Honda Marine Control Manual Budget-Friendly Options
6. Navigating Honda Marine Control Manual eBook Formats

- ePub, PDF, MOBI, and More
- Honda Marine Control Manual Compatibility with Devices
- Honda Marine Control Manual Enhanced eBook Features
- 7. Enhancing Your Reading Experience
 - Adjustable Fonts and Text Sizes of Honda Marine Control Manual
 - Highlighting and Note-Taking Honda Marine Control Manual
 - Interactive Elements Honda Marine Control Manual
- 8. Staying Engaged with Honda Marine Control Manual
 - Joining Online Reading Communities
 - Participating in Virtual Book Clubs
 - Following Authors and Publishers Honda Marine Control Manual
- 9. Balancing eBooks and Physical Books Honda Marine Control Manual
 - Benefits of a Digital Library
 - Creating a Diverse Reading Collection Honda Marine Control Manual
- 10. Overcoming Reading Challenges
 - Dealing with Digital Eye Strain
 - Minimizing Distractions
 - Managing Screen Time
- 11. Cultivating a Reading Routine Honda Marine Control Manual
 - Setting Reading Goals Honda Marine Control Manual
 - Carving Out Dedicated Reading Time
- 12. Sourcing Reliable Information of Honda Marine Control Manual
 - Fact-Checking eBook Content of Honda Marine Control Manual
 - Distinguishing Credible Sources
- 13. Promoting Lifelong Learning
 - Utilizing eBooks for Skill Development
 - Exploring Educational eBooks
- 14. Embracing eBook Trends
 - Integration of Multimedia Elements
 - Interactive and Gamified eBooks

Honda Marine Control Manual Introduction

In the digital age, access to information has become easier than ever before. The ability to download Honda Marine Control Manual has revolutionized the way we consume written content. Whether you are a student looking for course material, an avid reader searching for your next favorite book, or a professional seeking research papers, the option to download Honda Marine Control Manual has opened up a world of possibilities. Downloading Honda Marine Control Manual provides numerous advantages over physical copies of books and documents. Firstly, it is incredibly convenient. Gone are the days of carrying around heavy textbooks or bulky folders filled with papers. With the click of a button, you can gain immediate access to valuable resources on any device. This convenience allows for efficient studying, researching, and reading on the go. Moreover, the cost-effective nature of downloading Honda Marine Control Manual has democratized knowledge. Traditional books and academic journals can be expensive, making it difficult for individuals with limited financial resources to access information. By offering free PDF downloads, publishers and authors are enabling a wider audience to benefit from their work. This inclusivity promotes equal opportunities for learning and personal growth. There are numerous websites and platforms where individuals can download Honda Marine Control Manual. These websites range from academic databases offering research papers and journals to online libraries with an expansive collection of books from various genres. Many authors and publishers also upload their work to specific websites, granting readers access to their content without any charge. These platforms not only provide access to existing literature but also serve as an excellent platform for undiscovered authors to share their work with the world. However, it is essential to be cautious while downloading Honda Marine Control Manual. Some websites may offer pirated or illegally obtained copies of copyrighted material. Engaging in such activities not only violates copyright laws but also undermines the efforts of authors, publishers, and researchers. To ensure ethical downloading, it is advisable to utilize reputable websites that prioritize the legal distribution of content. When downloading Honda Marine Control Manual, users should also consider the potential security risks associated with online platforms. Malicious actors may exploit vulnerabilities in unprotected websites to distribute malware or steal personal information. To protect themselves, individuals should ensure their devices have reliable antivirus software installed and validate the legitimacy of the websites they are downloading from. In conclusion, the ability to download Honda Marine Control Manual has transformed the way we access information. With the convenience, cost-effectiveness, and accessibility it offers, free PDF downloads have become a popular choice for students, researchers, and book lovers worldwide. However, it is crucial to engage in ethical downloading practices and prioritize personal security when utilizing online platforms. By doing so, individuals can make the most of the vast array of free PDF resources available and embark on a journey of continuous learning and intellectual growth.

FAQs About Honda Marine Control Manual Books

How do I know which eBook platform is the best for me? Finding the best eBook platform depends on your reading preferences and device compatibility. Research different platforms, read user reviews, and explore their features before making a choice. Are free eBooks of good quality? Yes, many reputable platforms offer high-quality free eBooks, including classics and public domain works. However, make sure to verify the source to ensure the eBook credibility. Can I read eBooks without an eReader? Absolutely! Most eBook platforms offer webbased readers or mobile apps that allow you to read eBooks on your computer, tablet, or smartphone. How do I avoid digital eye strain while reading eBooks? To prevent digital eye strain, take regular breaks, adjust the font size and background color, and ensure proper lighting while reading eBooks. What the advantage of interactive eBooks? Interactive eBooks incorporate multimedia elements, quizzes, and activities, enhancing the reader engagement and providing a more immersive learning experience. Honda Marine Control Manual is one of the best book in our library for free trial. We provide copy of Honda Marine Control Manual in digital format, so the resources that you find are reliable. There are also many Ebooks of related with Honda Marine Control Manual. Where to download Honda Marine Control Manual online for free? Are you looking for Honda Marine Control Manual PDF? This is definitely going to save you time and cash in something you should think about. If you trying to find then search around for online. Without a doubt there are numerous these available and many of them have the freedom. However without doubt you receive whatever you purchase. An alternate way to get ideas is always to check another Honda Marine Control Manual. This method for see exactly what may be included and adopt these ideas to your book. This site will almost certainly help you save time and effort, money and stress. If you are looking for free books then you really should consider finding to assist you try this. Several of Honda Marine Control Manual are for sale to free while some are payable. If you arent sure if the books you would like to download works with for usage along with your computer, it is possible to download free trials. The free guides make it easy for someone to free access online library for download books to your device. You can get free download on free trial for lots of books categories. Our library is the biggest of these that have literally hundreds of thousands of different products categories represented. You will also see that there are specific sites catered to different product types or categories, brands or niches related with Honda Marine Control Manual. So depending on what exactly you are searching, you will be able to choose e books to suit your own need. Need to access completely for Campbell Biology Seventh Edition book? Access Ebook without any digging. And by having access to our ebook online or by storing it on your computer, you have convenient answers with Honda Marine Control Manual To get started finding Honda Marine Control Manual, you are right to find our website which has a comprehensive collection of books online. Our library is the biggest of these that have literally hundreds of thousands of different products represented. You will also see that there are specific sites catered to different categories or niches related with Honda Marine Control Manual So depending on what exactly you are searching,

you will be able to choose ebook to suit your own need. Thank you for reading Honda Marine Control Manual. Maybe you have knowledge that, people have search numerous times for their favorite readings like this Honda Marine Control Manual, but end up in harmful downloads. Rather than reading a good book with a cup of coffee in the afternoon, instead they juggled with some harmful bugs inside their laptop. Honda Marine Control Manual is available in our book collection an online access to it is set as public so you can download it instantly. Our digital library spans in multiple locations, allowing you to get the most less latency time to download any of our books like this one. Merely said, Honda Marine Control Manual is universally compatible with any devices to read.

Find Honda Marine Control Manual :

he who fears the wolf

healing the wound that wont heal the reality of

healing power of eft and energy psychology

hbj mathematics plus grade three/pupil edition

~~hb 11 while the clock ticked prome~~

hcs 405 health care financial accounting

head in the sand

health and environment in americas top rated cities 199697

health boxed set lifepac electives

hbj treasury of literature grade 8 the farthest star vol. 1 annotated teachers ed.

hb the missing chums

healing deaths wounds how to commit the dead to god and deliver the oppressed

head of the class second grade the complete colle

he wouldn t drink the hemlock

healing through god from my inner wounded child

Honda Marine Control Manual :

charles g salmon john e johnson steel structures design and - Jul 19 2023

web charles g salmon john e johnson steel structures design and behavior 4th edition 1997 prentice hall pdf charles g salmon

john e johnson steel

[steel structures design behavior salmon solution manual pdf](#) - Mar 03 2022

web view full document unformatted text preview steel structures design behavior salmon solution manual is available in our book collection an online access to it is set as public so you can download it instantly

steel structures design and behavior salmon charles - Aug 08 2022

web the design of structural steel members has developed over the past century from a simple approach involving a few basic properties of steel and elementary mathematics to a more sophisticated treatment demanding a thorough knowledge

[steel structures solution manual chegg com](#) - Apr 16 2023

web get instant access to our step by step steel structures solutions manual our solution manuals are written by chegg experts so you can be assured of the highest quality

[charles g salmon john e johnson faris a malhas steel structures](#) - Oct 10 2022

web charles g salmon john e johnson faris a malhas steel structures design and behavior 5th edition prentice hall 2008 pdf free ebook download as pdf file pdf text file txt or read book online for free scribd

[solutions manual to accompany steel structures design and](#) - Sep 21 2023

web solutions manual to accompany steel structures design and behavior emphasizing load and resistance factor design authors charles g salmon john e johnson edition 3

steel structures design behaviour by salmon johnson pdf - Feb 14 2023

web steel structures design behaviour by salmon johnson free ebook download as pdf file pdf or read book online for free

[steel structures 5th edition solutions manual pdf scribd](#) - Jun 18 2023

web steel structures 5th edition solutions manual pdf pdf all rights reserved copyright 236267023 steel structures 5th edition solutions manual pdf free download as pdf file pdf text file txt or read online for free scribd is the world s largest social reading and publishing site

steel structures 5th edition textbook solutions chegg com - Mar 15 2023

web access steel structures 5th edition solutions now our solutions are written by chegg experts so you can be assured of the highest quality

steel structures design and behavior salmon charles - Dec 12 2022

web oct 16 2008 steel structures design and behavior salmon charles johnson john malhas faris on amazon com free shipping on qualifying offers steel structures design and behavior

steel design solution manual 4th ed segui pdf scribd - Nov 11 2022

web 321637541 steel design fourth edition william t segui solution manual pdf gerardo medrano fundamentals of structural steel design with theory of structures czarinacanaraguilar design of reinforced concrete 8th ed by mccormac brown part1 pdf

vrajan1988 236267023 steel structures 5th edition solutions manual pdf

[steel structures design and behavior google books](#) - Jun 06 2022

web bibliographic information the design of structural steel members has developed over the past century from a simple approach involving a few basic properties of steel and elementary

[steel structures design and behavior google books](#) - Sep 09 2022

web charles g salmon john edwin johnson faris amin malhas prentice hall 2009 building iron and steel 866 pages strives to present in a logical manner the theoretical background needed for

[steel structures design and behavior pearson](#) - Jan 13 2023

web oct 16 2008 steel structures design and behavior 5th edition published by pearson october 16 2008 2009 charles g salmon john e johnson faris a malhas

steel structures design and behavior 5th edition salmon solutions manual - May 17 2023

web steel structures design and behavior 5th edition salmon solutions manual free download as pdf file pdf text file txt or view presentation slides online solutions manual

[pdf steel structures design behavior by salmon johnson](#) - Jul 07 2022

web download steel structures design behavior by salmon johnson malhas 5th edition free in pdf format

[steel structures design and behavior google books](#) - May 05 2022

web charles g salmon john edwin johnson harper row 1980 building iron and steel 1007 pages 0 reviews reviews aren t verified but google checks for and removes fake content when it s identified

solution manual steel structures design salmon download - Aug 20 2023

web steel design covers the fundamentals of structural steel design with an emphasis on the design of members and their connections rather than the integrated design of buildings the book is

essays and primary source documents - Apr 04 2022

web essays and primary source documents

solution manual steel structures design salmon doc download - Feb 02 2022

web solution manual steel structures design salmon this book provides the means for a better control and purposeful consideration of the design of architecturally exposed structural steel aess it deploys a detailed categorization of aess and its uses according to design context building typology and visual exposure

[the comedian as critic greek old comedy and poetics](#) - Aug 22 2022

web summary the first comprehensive study of the relationship between greek comedy and ancient literary criticism offering an original and sophisticated reading of the works of

the comedian as critic greek old comedy and poetics - Apr 29 2023

web 8 rows description some of the best evidence for the early development of literary criticism before

[the comedian as critic greek old comedy and poetics by](#) - Jul 01 2023

web this book explores the dynamics of comic mockery and satire in greek and latin poetry and argues that poets working in such genres composed their attacks on targets and

the comedian as critic greek old comedy and poeti tom - Nov 12 2021

web comedian as critic greek old comedy and poeti as without difficulty as evaluation them wherever you are now between ecstasy and truth stephen halliwell 2012 03 01 as

the comedian as critic greek old comedy and poeti - Oct 24 2022

web the comedian as critic greek old comedy and poeti the greek and roman critics mar 10 2023 during the thousand years which separate homer from plotinus the

the comedian as critic greek old comedy and poetics - Jan 27 2023

web apr 1 2015 classicist wright tries to makes sense of the jokes about poets and poetry that abound in fifth century athenian comedy and asks what comedy can reveal about

category greek comedians wikipedia - Mar 29 2023

web comedy portal greece portal classification people by occupation entertainers comedians by nationality greek also greece pages in category greek

the comedian as critic greek old comedy and poeti full pdf - May 31 2023

web the comedian as critic greek old comedy and poeti laughter on the fringes aristophanic humour the lost plays of greek tragedy volume 2 terence and

the comedian as critic greek old comedy and poetics - Jun 19 2022

web some of the best evidence for the early development of literary criticism before plato and aristotle comes from athenian old comedy playwrights such as eupolis

the comedian as critic greek old comedy and poetics - Oct 04 2023

web may 24 2012 some of the best evidence for the early development of literary criticism before plato and aristotle comes from athenian old comedy playwrights such as eupolis cratinus aristophanes and others wrote numerous comedies on literary themes

the comedian as critic greek old comedy and poeti 2023 - Nov 24 2022

web the comedian as critic greek old comedy and poeti pindar and the poetics of permanence greek tragedy after the fifth century the female characters of

the comedian as critic greek old comedy and poetics - Jan 15 2022

web how can we make use of the evidence of comedy why were the comic poets so preoccupied with questions of poetics
what criteria emerge from comedy for the

download solutions the comedian as critic greek old comedy - May 19 2022

web the comedian as critic greek old comedy and poeti literary criticism in the writings of the poets of the old greek comedy
jun 20 2023 democratic swarms jan 23

the comedian as critic greek old comedy and poetics by - Dec 26 2022

web jan 1 2013 the comedian as critic greek old comedy and poetics by matthew wright london bristol classical p march
2014 religious studies review zoe

the comedian as critic greek old comedy and poetics - Dec 14 2021

web may 24 2012 the comedian as critic matthew wright bloomsbury academic may 24 2012 literary

best greek comedians ever imdb - Feb 25 2023

web 2 kostas hatzihrstos actor o thymios sti hora tou strip tease kostas hatzihrstos was born in 1921 in salonica greece he
was an actor and director known for thimios in the

the comedian as critic greek old comedy and poetics - Aug 02 2023

web jul 26 2013 matthew wright the comedian as critic greek old comedy and poetics london bristol classical press 2012 x
244 isbn 9781780930299 120 00 review by

poets and poetry in later greek comedy request pdf - Mar 17 2022

web dec 1 2013 major issues which this book addresses include the creation of a poetic persona within a performative
tradition of vigorous interpoetic rivalry comedy s

the comedian as critic greek old comedy and poeti full pdf - Sep 22 2022

web competently as evaluation the comedian as critic greek old comedy and poeti what you behind to read pindar and the
poetics of permanence henry spelman 2018 04 23

poets and poetry in later greek comedy - Apr 17 2022

web nov 8 2013 the comic dramatists of the fifth century b c were notable for their preoccupation with poetics that is their
frequent references to their own poetry and

the comedian as critic greek old comedy and poeti pdf - Sep 03 2023

web the comedian as critic fragmentation in ancient greek drama tragedy on the comic stage greek tragedy after the fifth
century euripides orestes the comedian as

poets and poetry in later greek comedy jstor - Feb 13 2022

web 1 m e wright the comedian as critic greek old comedy and poetics london 2012 for a couple of excellent critiques of these labels see k sidwell from old to middle to

[the comedian as critic greek old comedy and poetics](#) - Jul 21 2022

web abebooks com the comedian as critic greek old comedy and poetics 9781780930299 by wright matthew and a great selection of similar new used and

ma rk facebook - Apr 03 2023

web ma rk 5 likes 20 talking about this

ma rk twitch - Oct 09 2023

web ma rk twitch te canlı yayın yapıyor kanalın videolarına göz atın diğer izleyicileri ile sohbet edin ve topluluğuna katılın

rk cataleya youtube - Apr 22 2022

web jun 12 2019 deuxième album rêves de gosse disponible partout rk lnk to revesdegosserk en concert à l olympia et en tournée dans toute la france bit ly rk tou

ma rk youtube - Sep 08 2023

web welcome to chanel ma rk officail ig mark keerapat

ma rk facebook - Jul 06 2023

web ma rk facebook ta ma rk ve diğer tanıdıklarınla iletişim kurmak için facebook a katıl facebook insanlara paylaşma gücü vererek dünyanın daha açık ve

ma rk twitch - Jul 26 2022

web sorry unless you ve got a time machine that content is unavailable browse channels

[mark volkov s ma rk profile on instagram 12 posts](#) - Mar 22 2022

web 520 followers 12 following 12 posts see instagram photos and videos from mark volkov ma rk

[ma rk mark031888 instagram photos and videos](#) - Aug 27 2022

web 171 followers 155 following 421 posts see instagram photos and videos from ma rk mark031888

ma rk facebook - May 04 2023

web ma rk 212 likes 25 212 talking about this

habertürk güncel haberler son dakika haberleri ve günün - Oct 29 2022

web haberler son dakika haberleri ve en son gelişmeler habertürk te gazete haberleri güncel olaylar ve ekonomi magazin gündem spor haberi türkiye nin en büyük internet gazetesinde

[ma rk on amazon music unlimited](#) - Aug 07 2023

web nov 3 2023 jaimedraz listen to your favorite songs from ma rk stream ad free with amazon music unlimited on mobile

desktop and tablet download our mobile app now

[rk lola clip officiel youtube](#) - May 24 2022

web oct 5 2022 rk lola clip officiel auteur rk officiel compositeur shkréalisation husovic mirsenprod fanatik productionson disponible ici rk lnk to lolachope ta place pour mon

ma rk youtube - Sep 27 2022

web share your videos with friends family and the world

ma rk facebook - Feb 01 2023

web ma rk facebook ta ma rk ve diğer tanıdıklarınla iletişim kurmak için facebook a katıl facebook insanlara paylaşma gücü vererek dünyanın daha açık ve bağlantılı hale gelmesini sağlıyor

ma rk facebook - Jun 05 2023

web ma rk 40 likes 261 talking about this pm me for more info

ma rk m a r k k r instagram photos and videos - Mar 02 2023

web 1 399 followers 921 following 4 posts see instagram photos and videos from ma rk m a r k k r

[ma rk facebook](#) - Nov 29 2022

web ma rk is on facebook join facebook to connect with ma rk and others you may know facebook gives people the power to share and makes the world more open





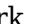
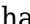
ma rk make your mark - Jun 24 2022

web ma rk is een meubellijn van metaal art een groep metaalbewerkers uit amersfoort die alles uit metaal wil halen onze jarenlange ervaring met het maken van high end interieurs zie je terug in jouw ma rk

el ve tırnaklardaki mürekkep nasıl geçer bilirmiydin İnteraktif - Feb 18 2022

web sep 14 2015 el ve tırnaklardaki mürekkep nasıl geçer manikürünüze ve el bakımınızı mahvedecek çeşitli nedenler vardır Örneğin mürekkep yazıcının mürekkep kartuşu patlayan mürekkep kalem yazı yazarken bir bakmışsınız ellerinize ve tırnaklarınıza mürekkep bulaşmış neyse ki büyük olasılıkla evinizde

må rk facebook - Dec 31 2022

web       rk bhai må rk is on facebook join facebook to connect with må rk and others you may know facebook gives people the power to share and makes the world more open and connected