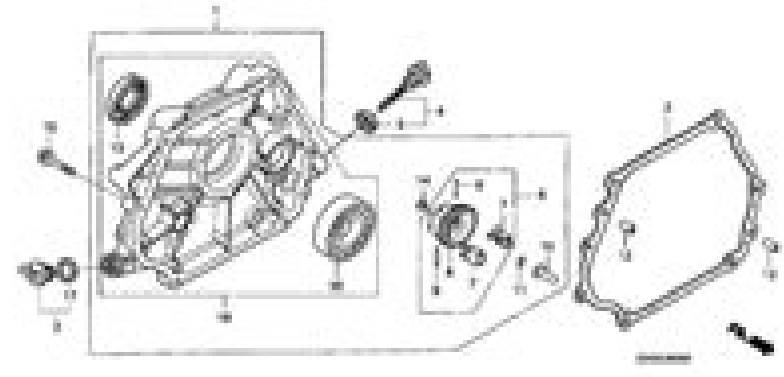


Part No.	Illustration No. (1/2) to page	Qty	Name (English)	Illustration No.	Part No. (1/2) to page
1	12-10852-000	1	FLANGE, UPPER COVER,	10852-000-0000	UPPER COVER
1	12-10853-000	1	FLANGE, LOWER COVER,	10853-000-0000	LOWER COVER
1	12-10854-000	1	FLANGE, FLYWHEEL,	10854-000-0000	FLYWHEEL
1	12-10855-000	2	WASHER, RING,	10855-000-0000	RING WASHER
1	12-10856-000	1	WASHER, COVER,	10856-000-0000	COVER WASHER
1	12-10857-000	1	WASHER, RING,	10857-000-0000	RING WASHER
1	12-10858-000	1	WASHER, RING,	10858-000-0000	RING WASHER
1	12-10859-000	1	WASHER, RING,	10859-000-0000	RING WASHER
1	12-10860-000	1	WASHER, RING,	10860-000-0000	RING WASHER
1	12-10861-000	1	WASHER, RING,	10861-000-0000	RING WASHER
1	12-10862-000	1	WASHER, RING,	10862-000-0000	RING WASHER
1	12-10863-000	1	WASHER, RING,	10863-000-0000	RING WASHER
1	12-10864-000	1	WASHER, RING,	10864-000-0000	RING WASHER
1	12-10865-000	1	WASHER, RING,	10865-000-0000	RING WASHER
1	12-10866-000	1	WASHER, RING,	10866-000-0000	RING WASHER
1	12-10867-000	1	WASHER, RING,	10867-000-0000	RING WASHER
1	12-10868-000	1	WASHER, RING,	10868-000-0000	RING WASHER
1	12-10869-000	1	WASHER, RING,	10869-000-0000	RING WASHER
1	12-10870-000	1	WASHER, RING,	10870-000-0000	RING WASHER



Part No.	Illustration No. (1/2) to page	Qty	Name (English)	Illustration No.	Part No. (1/2) to page
1	12-10852-000	1	FLANGE, UPPER COVER,	10852-000-0000	UPPER COVER
1	12-10853-000	1	FLANGE, LOWER COVER,	10853-000-0000	LOWER COVER
1	12-10854-000	1	FLANGE, FLYWHEEL,	10854-000-0000	FLYWHEEL
1	12-10855-000	2	WASHER, RING,	10855-000-0000	RING WASHER
1	12-10856-000	1	WASHER, COVER,	10856-000-0000	COVER WASHER
1	12-10857-000	1	WASHER, RING,	10857-000-0000	RING WASHER
1	12-10858-000	1	WASHER, RING,	10858-000-0000	RING WASHER
1	12-10859-000	1	WASHER, RING,	10859-000-0000	RING WASHER
1	12-10860-000	1	WASHER, RING,	10860-000-0000	RING WASHER
1	12-10861-000	1	WASHER, RING,	10861-000-0000	RING WASHER
1	12-10862-000	1	WASHER, RING,	10862-000-0000	RING WASHER
1	12-10863-000	1	WASHER, RING,	10863-000-0000	RING WASHER
1	12-10864-000	1	WASHER, RING,	10864-000-0000	RING WASHER
1	12-10865-000	1	WASHER, RING,	10865-000-0000	RING WASHER
1	12-10866-000	1	WASHER, RING,	10866-000-0000	RING WASHER
1	12-10867-000	1	WASHER, RING,	10867-000-0000	RING WASHER
1	12-10868-000	1	WASHER, RING,	10868-000-0000	RING WASHER
1	12-10869-000	1	WASHER, RING,	10869-000-0000	RING WASHER
1	12-10870-000	1	WASHER, RING,	10870-000-0000	RING WASHER

Honda Hr2013 Parts Manual

SJ Ball



Honda Hr2013 Parts Manual:

Unveiling the Magic of Words: A Report on "**Honda Hr2013 Parts Manual**"

In a global defined by information and interconnectivity, the enchanting power of words has acquired unparalleled significance. Their ability to kindle emotions, provoke contemplation, and ignite transformative change is actually awe-inspiring. Enter the realm of "**Honda Hr2013 Parts Manual**," a mesmerizing literary masterpiece penned with a distinguished author, guiding readers on a profound journey to unravel the secrets and potential hidden within every word. In this critique, we shall delve into the book's central themes, examine its distinctive writing style, and assess its profound affect on the souls of its readers.

<https://staging.conocer.cide.edu/book/virtual-library/index.jsp/little%20muffin%20cookbook.pdf>

Table of Contents Honda Hr2013 Parts Manual

1. Understanding the eBook Honda Hr2013 Parts Manual
 - The Rise of Digital Reading Honda Hr2013 Parts Manual
 - Advantages of eBooks Over Traditional Books
2. Identifying Honda Hr2013 Parts Manual
 - Exploring Different Genres
 - Considering Fiction vs. Non-Fiction
 - Determining Your Reading Goals
3. Choosing the Right eBook Platform
 - Popular eBook Platforms
 - Features to Look for in an Honda Hr2013 Parts Manual
 - User-Friendly Interface
4. Exploring eBook Recommendations from Honda Hr2013 Parts Manual
 - Personalized Recommendations
 - Honda Hr2013 Parts Manual User Reviews and Ratings
 - Honda Hr2013 Parts Manual and Bestseller Lists

5. Accessing Honda Hr2013 Parts Manual Free and Paid eBooks
 - Honda Hr2013 Parts Manual Public Domain eBooks
 - Honda Hr2013 Parts Manual eBook Subscription Services
 - Honda Hr2013 Parts Manual Budget-Friendly Options
6. Navigating Honda Hr2013 Parts Manual eBook Formats
 - ePub, PDF, MOBI, and More
 - Honda Hr2013 Parts Manual Compatibility with Devices
 - Honda Hr2013 Parts Manual Enhanced eBook Features
7. Enhancing Your Reading Experience
 - Adjustable Fonts and Text Sizes of Honda Hr2013 Parts Manual
 - Highlighting and Note-Taking Honda Hr2013 Parts Manual
 - Interactive Elements Honda Hr2013 Parts Manual
8. Staying Engaged with Honda Hr2013 Parts Manual
 - Joining Online Reading Communities
 - Participating in Virtual Book Clubs
 - Following Authors and Publishers Honda Hr2013 Parts Manual
9. Balancing eBooks and Physical Books Honda Hr2013 Parts Manual
 - Benefits of a Digital Library
 - Creating a Diverse Reading Collection Honda Hr2013 Parts Manual
10. Overcoming Reading Challenges
 - Dealing with Digital Eye Strain
 - Minimizing Distractions
 - Managing Screen Time
11. Cultivating a Reading Routine Honda Hr2013 Parts Manual
 - Setting Reading Goals Honda Hr2013 Parts Manual
 - Carving Out Dedicated Reading Time
12. Sourcing Reliable Information of Honda Hr2013 Parts Manual
 - Fact-Checking eBook Content of Honda Hr2013 Parts Manual
 - Distinguishing Credible Sources
13. Promoting Lifelong Learning

- Utilizing eBooks for Skill Development
 - Exploring Educational eBooks
14. Embracing eBook Trends
- Integration of Multimedia Elements
 - Interactive and Gamified eBooks

Honda Hr2013 Parts Manual Introduction

In the digital age, access to information has become easier than ever before. The ability to download Honda Hr2013 Parts Manual has revolutionized the way we consume written content. Whether you are a student looking for course material, an avid reader searching for your next favorite book, or a professional seeking research papers, the option to download Honda Hr2013 Parts Manual has opened up a world of possibilities. Downloading Honda Hr2013 Parts Manual provides numerous advantages over physical copies of books and documents. Firstly, it is incredibly convenient. Gone are the days of carrying around heavy textbooks or bulky folders filled with papers. With the click of a button, you can gain immediate access to valuable resources on any device. This convenience allows for efficient studying, researching, and reading on the go. Moreover, the cost-effective nature of downloading Honda Hr2013 Parts Manual has democratized knowledge. Traditional books and academic journals can be expensive, making it difficult for individuals with limited financial resources to access information. By offering free PDF downloads, publishers and authors are enabling a wider audience to benefit from their work. This inclusivity promotes equal opportunities for learning and personal growth. There are numerous websites and platforms where individuals can download Honda Hr2013 Parts Manual. These websites range from academic databases offering research papers and journals to online libraries with an expansive collection of books from various genres. Many authors and publishers also upload their work to specific websites, granting readers access to their content without any charge. These platforms not only provide access to existing literature but also serve as an excellent platform for undiscovered authors to share their work with the world. However, it is essential to be cautious while downloading Honda Hr2013 Parts Manual. Some websites may offer pirated or illegally obtained copies of copyrighted material. Engaging in such activities not only violates copyright laws but also undermines the efforts of authors, publishers, and researchers. To ensure ethical downloading, it is advisable to utilize reputable websites that prioritize the legal distribution of content. When downloading Honda Hr2013 Parts Manual, users should also consider the potential security risks associated with online platforms. Malicious actors may exploit vulnerabilities in unprotected websites to distribute malware or steal personal information. To protect themselves, individuals should ensure their devices have reliable antivirus software installed and validate the legitimacy of the websites they are downloading from. In conclusion, the ability to download Honda Hr2013 Parts

Manual has transformed the way we access information. With the convenience, cost-effectiveness, and accessibility it offers, free PDF downloads have become a popular choice for students, researchers, and book lovers worldwide. However, it is crucial to engage in ethical downloading practices and prioritize personal security when utilizing online platforms. By doing so, individuals can make the most of the vast array of free PDF resources available and embark on a journey of continuous learning and intellectual growth.

FAQs About Honda Hr2013 Parts Manual Books

How do I know which eBook platform is the best for me? Finding the best eBook platform depends on your reading preferences and device compatibility. Research different platforms, read user reviews, and explore their features before making a choice. Are free eBooks of good quality? Yes, many reputable platforms offer high-quality free eBooks, including classics and public domain works. However, make sure to verify the source to ensure the eBook credibility. Can I read eBooks without an eReader? Absolutely! Most eBook platforms offer web-based readers or mobile apps that allow you to read eBooks on your computer, tablet, or smartphone. How do I avoid digital eye strain while reading eBooks? To prevent digital eye strain, take regular breaks, adjust the font size and background color, and ensure proper lighting while reading eBooks. What the advantage of interactive eBooks? Interactive eBooks incorporate multimedia elements, quizzes, and activities, enhancing the reader engagement and providing a more immersive learning experience. Honda Hr2013 Parts Manual is one of the best book in our library for free trial. We provide copy of Honda Hr2013 Parts Manual in digital format, so the resources that you find are reliable. There are also many Ebooks of related with Honda Hr2013 Parts Manual. Where to download Honda Hr2013 Parts Manual online for free? Are you looking for Honda Hr2013 Parts Manual PDF? This is definitely going to save you time and cash in something you should think about.

Find Honda Hr2013 Parts Manual :

~~little muffin cookbook~~

~~literature teachers of lists grades 6-12~~

~~little bear goodnight little bear~~

~~little nineveh~~

~~littere baronum the earliest cartulary of the counts of champagne~~

~~little bo peep~~

little flowers of saint francis of ass

literary theory/renaissance texts

little men

literary trivia 100 curious lists forworms

little cockerel

~~literature of the world an introductory study~~

literature the readers choice literature groups sourcebook course 5

literature journal

little giant of visual tricks

Honda Hr2013 Parts Manual :

evercrossed kissed by an angel chandler elizabeth - Jan 30 2023

web arama yapmak istediğiniz kategoriye seçin

evercrossed kissed by an angel 4 by elizabeth chandler goodreads - Oct 07 2023

web jan 1 2011 the novel evercrossed by elizabeth chandler is about a teenager named ivy lyons from new england after a hectic school year with the death of her boyfriend tristan and her stepbrother who caused tristan s

evercrossed everlasting everafter by elizabeth chandler goodreads - Sep 06 2023

web feb 4 2014 experience the epic love story of ivy and tristan as they desperately attempt to restore tristan s fate as a fallen angel and battle the eternal wrath of ivy s dangerous and vindictive stepbrother gregory this boxed set includes

evercrossed everlasting and everafter show more

evercrossed by chandler elizabeth abebooks - Mar 20 2022

web evercrossed a kissed by an angel novel by chandler elizabeth and a great selection of related books art and collectibles available now at abebooks co uk

evercrossed by elizabeth chandler kirkus reviews - Nov 27 2022

web feb 1 2012 tristan the dead love of her life apparently returns as an angel and saves her life when she s in a car crash at the hospital she meets guy an intriguing amnesiac who just might be tristan come back to earth or guy could be gregory tristan s murderer returning to earth as a demon

evercrossed by elizabeth chandler overdrive ebooks - Aug 25 2022

web mar 8 2011 now in paperback the first book in a new arc of the new york times bestselling kissed by an angel series it s been a year since ivy s boyfriend tristan died they ve both moved on tristan to the other side of the afterlife and ivy to sweet

de

evercrossed a kissed by an angel novel elizabeth chandler - Dec 29 2022

web evercrossed a kissed by an angel novel elizabeth chandler simon and schuster mar 31 2011 juvenile fiction 288 pages 7 reviews reviews aren t verified but google checks for and removes fake content when it s identified

evercrossed kissed by an angel chandler elizabeth - Jun 03 2023

web feb 7 2012 now in paperback the first book in a new arc of the new york times bestselling kissed by an angel series it s been a year since ivy s boyfriend tristan died they ve both moved on tristan to the other side of the afterlife and ivy to sweet dependable will

everlasting kissed by an angel 5 by elizabeth chandler goodreads - Feb 16 2022

web jan 1 2012 elizabeth chandler 4 02 4 510 ratings 261 reviews ivy should be ecstatic that her formerly dead boyfriend tristan is back on earth with her but the life of a fallen angel is never easy tristan has been cast down in

evercrossed kissed by an angel quality chandler elizabeth - Sep 25 2022

web evercrossed kissed by an angel quality chandler elizabeth amazon com tr Çerez tercihlerinizi seçin alışveriş deneyiminizi geliştirmek hizmetlerimizi sunmak müşterilerin hizmetlerimizi nasıl kullandığını anlayarak iyileştirmeler yapabilmek ve tanıtımları gösterebilmek için çerezler ve benzeri araçları kullanmaktayız

evercrossed kissed by an angel chandler elizabeth - May 22 2022

web evercrossed kissed by an angel by chandler elizabeth isbn 10 1442409142 isbn 13 9781442409149 simon pulse 2011 hardcover

evercrossed by elizabeth chandler paperback barnes noble - May 02 2023

web feb 7 2012 now in paperback the first book in a new arc of the new york times bestselling kissed by an angel series it s been a year since ivy s boyfriend tristan died they ve both moved on tristan to the other side of the afterlife and ivy to sweet dependable will now ivy s heading to cape cod hoping to leave the horror of last

evercrossed by elizabeth chandler overdrive ebooks - Jun 22 2022

web mar 31 2011 evercrossed ebook mid a kissed by an angel novel kissed by an angel by elizabeth chandler

evercrossed elizabeth chandler 9781847389176 amazon com - Jul 04 2023

web jan 1 2011 evercrossed elizabeth chandler on amazon com free shipping on qualifying offers evercrossed

evercrossed elizabeth chandler google books - Apr 01 2023

web mar 8 2011 evercrossed elizabeth chandler simon pulse mar 8 2011 young adult fiction 288 pages it s been a year since ivy s boyfriend tristan died they ve both moved on tristan to the other side

evercrossed a kissed by an angel novel chandler elizabeth - Oct 27 2022

web elizabeth chandler is a pseudonym for mary clare helldorfer she is the author of the kissed by an angel and dark secrets series she lives in baltimore maryland

kissed by an angel series by elizabeth chandler goodreads - Jul 24 2022

web kissed by an angel series 6 primary works 9 total works series also known as baciata da un angelo italian le baiser de l ange french book 1 kissed by an angel by elizabeth chandler 3 72 6 361 ratings 294 reviews published 1995 30 editions when her boyfriend tristan died ivy thought she want to read rate it book 2

books by elizabeth chandler goodreads - Jan 18 2022

web rate this book clear rating 1 of 5 stars 2 of 5 stars 3 of 5 stars 4 of 5 stars 5 of 5 stars no time to die the deep end of fear dark secrets 3 4 by elizabeth chandler 4 24 avg rating 9 383 ratings published 2010 13 editions want to read

evercrossed book by elizabeth chandler official publisher - Aug 05 2023

web evercrossed by elizabeth chandler now in paperback the first book in a new arc of the new york times bestselling kissed by an angel series it s been a yea evercrossed book by elizabeth chandler official publisher page simon schuster

evercrossed kissed by an angel book 4 by elizabeth chandler - Apr 20 2022

web evercrossed kissed by an angel book 4 by elizabeth chandler book cover description

evercrossed kissed by an angel chandler elizabeth - Nov 15 2021

web mar 8 2011 ich konnte es ehrlich gesagt kaum glauben als ich gesehen habe dass elizabeth chandler an ihrer reihe aus den 90er jahren weiter schreibt ihre drei bücher wurde zu kissed by an angel zusammengefasst und waren einfach nur herzerwärmend tragisch und vor allem unheimlich traurig auf eine sehr schöne weise

evercrossed book by elizabeth chandler official publisher - Feb 28 2023

web evercrossed by elizabeth chandler now in paperback the first book in a new arc of the new york times bestselling kissed by an angel series it s been a yea

evercrossed by elizabeth chandler overdrive ebooks - Dec 17 2021

web mar 8 2011 evercrossed audiobook unabridged mid kissed by an angel by elizabeth chandler

police society edition 6 by roy roberg barnes noble - Jan 09 2023

web feb 17 2014 police society edition 6 by roy roberg paperback view all available formats editions buy new 98 95 buy used 86 57 add to cart overview now in a new edition police society offers a descriptive and analytical look at the process of policing from police behavior and organization to operations and historical perspectives

free solutions for police and society 6th edition quizlet - Oct 06 2022

web find step by step solutions and answers to police and society 9780199300884 as well as thousands of textbooks so you can move forward with confidence log in sign up expert solutions police and society 6th edition brad smith gary w cordner

kenneth novak roy roberg isbn 9780199300884 brad smith gary w cordner kenneth

police society 5th edition amazon com - Jul 03 2022

web feb 11 2011 now in its fifth edition police society offers a descriptive and analytical look at the process of policing from police behavior and organization to operations and historical perspectives focusing on the relationship between the police and the community and how it has changed throughout the years roy roberg kenneth novak gary

police society rent 9780199300884 chegg com - Feb 10 2023

web feb 18 2014 police society 6th edition isbn 0199300887 isbn 13 9780199300884 authors roy roberg roy r roberg more rent from 11 99 buy from 12 49 rent 11 99 due 12 22 2023 included with your book feel free to highlight your book free shipping on rental returns 21 day refund guarantee learn more total price 11 99

police society 8th edition 9780190940805 9780190940812 - Jan 29 2022

web police society 8th edition is written by kenneth novak gary cordner bradley smith roy roberg and published by oxford university press the digital and etextbook isbns for police society are 9780190940812 0190940816 and the print isbns are 9780190940805 0190940808 save up to 80 versus print by going digital with

police society chapter 6 flashcards quizlet - Mar 31 2022

web police society chapter 6 flashcards learn test match term 1 18 advisory committees click the card to flip definition 1 18 a committee composed of community leaders and upper level and district police staff such committees are intended to created partnerships between the police and the community they serve click the card to flip

police society 8e learning link oxford university press - Jun 02 2022

web police society eighth edition offers an in depth and analytical look at policing from police behavior and organization to operations and historical perspectives the instructor resources include powerpoints an instructor manual and a test bank

police society 7th edition amazon com - Aug 04 2022

web police society seventh edition offers an in depth and analytical look at policing from police behavior and organization to operations and historical perspectives focusing on the relationship between the police and the community and how it has changed throughout the years the authors explore the most important theoretical foundations and

police and society free download borrow and streaming - May 01 2022

web internet archive language english 260 pages 22 cm essays prepared for a conference on the contextual determinants of police behavior held at the graduate school of international studies university of denver denver colorado in february 1976 includes bibliographical references page 257

policing and society taylor francis online - Dec 28 2021

web aug 30 2023 publishes international research on policing institutions and practices including police policy legal police

powers and management of police organisations

[police society 6th edition oxford university press](#) - May 13 2023

web now in its sixth edition this unique text incorporates expanded coverage of police technology homeland security privacy and surveillance immigration and evidence based practices and includes the most current scholarship

isbn 9780199300884 police and society 6th edition direct - Jul 15 2023

web police and society 6th author s roy roberg kenneth novak gary cordner brad smith published 2014 publisher oxford university press format paperback 576 pages isbn 978 0 19 930088 4 edition 6th sixth 6e reviews

police society 6th edition oxford university press - Nov 07 2022

web police society offers an in depth and analytical look at the process of policing from police behavior and organization to operations and historical perspectives focusing on the relationship between the police and the community and how it has changed throughout the years the authors explore the most important theoretical foundations and incisive

police and society roy r roberg google books - Aug 16 2023

web roy r roberg oxford university press 2014 community policing 558 pages 0 reviews reviews aren t verified but google checks for and removes fake content when it s identified police

[police and society paperback kenneth novak gary cordner](#) - Apr 12 2023

web police and society ninth edition author kenneth novak gary cordner brad smith and roy roberg new to this edition reassessment and revision of many topics throughout

[police and society oxford university press](#) - Jun 14 2023

web dec 13 2022 description police society ninth edition offers an in depth and analytical look at policing from police behavior and organization to operations and historical perspectives focusing on the relationship between the police and the community and how it has changed throughout the years the authors explore the most important

police and society 6th edition 9780199300884 textbooks com - Dec 08 2022

web police society is a mainstream text for introductory policing or law enforcement courses it strikes an ideal balance between the abstractions of research and theory and the concrete realities of a police officer s duties grounding theoretical discussions in real

[police and society 9th edition amazon com](#) - Feb 27 2022

web dec 13 2022 police society ninth edition offers an in depth and analytical look at policing from police behavior and organization to operations and historical perspectives focusing on the relationship between the police and the community and how it has changed throughout the years the authors explore the most important theoretical foundations and

police and society sixth edition help environment harvard edu - Sep 05 2022

web the operations of modern police departments while maintaining its proven instructional approach and strong focus on community and problem oriented policing the sixth edition of police operations theory and practice reflects the latest trends and research shaping the day to day operations of progressive police departments a new

police and society google books - Mar 11 2023

web now in a new edition police society offers a descriptive and analytical look at the process of policing from police behavior and organization to operations and historical perspectives with an emphasis on the relationship between the police and the community and how this relationship has

calorimetry lab gizmo studylib net - May 25 2022

web calorimeters can be used to find a substance s specific heat capacity you will use the calorimetry lab gizmo to determine the specific heat capacities of various substances 1 on the simulation pane select copper use the slider to set its mass to 200 g set the water mass to 200 g

calorimetry lab flashcards quizlet - Oct 30 2022

web correct answer a substance a a chemist mixes 500 g of lead at 500 c with 1 200 g of water at 20 c she then mixes 500 g of copper at 500 c with 1 200 g of water at 20 c the specific heat capacity of lead is 0 1276 j g c and the specific heat capacity of copper is 0 3845 j g c what will be true about the final temperatures of the two systems

calorimetry lab gizmo all answers correct docmerit - Apr 23 2022

web mike t calorimetry lab gizmo all answers correct student exploration calorimetry lab vocabulary calorie calorimeter joule specific heat capacity prior knowledge questions do these before using the gizmo 1 the latin word calor means heat and meter comes from the greek word meaning to measure what do yo

calorimetry lab gizmo answer key virtual high school - May 05 2023

web 1 on the simulation pane select copper use the slider to set its mass to 200 g set the water mass to 200 g check that the water temp is set to 30 0 c and the copper s temp is 90 c select the graph tab and click play a what was the final temperature of the copper and the water 34 96 c b

gizmo student exploration calorimetry lab gizmo all answers - Nov 30 2022

web apr 7 2022 gizmo student exploration calorimetry lab gizmo all answers correct student exploration calorimetry lab vocabulary calorie calorimeter joule specific heat capacity prior knowledge questions do these before using the gizmo 1 the latin word calor means heat and meter comes from the greek word meaning to measure

student exploration calorimetry lab name date student - Aug 08 2023

web explain water because its temperature only changed 4 c compared to 55 c question what factors determine how heat energy transfers between objects predict in the gizmo warm up you saw how 200 g of 90 c copper transfers heat to 200 g of

30 c water

gizmos calorimetry lab name sam lohokare date 3 14 - Oct 10 2023

web student exploration calorimetry lab directions follow the instructions to go through the simulation respond to the questions and prompts in the orange boxes vocabulary calorie calorimeter joule specific heat capacity prior knowledge questions do these before using the gizmo

gizmo calorimetry lab name studocu - Jul 27 2022

web when a hot object is placed in the calorimeter heat energy is transferred from the object to the water and the water heats up calorimeters can be used to find a substance s you will use the gizmo to determine the specific heat capacities of various substances on the simulation pane select copper

calorimetry lab gizmo explorelearning gizmos - Mar 03 2023

web investigate how calorimetry can be used to find relative specific heat values when different substances are mixed with water modify initial mass and temperature values to see effects on the system one or any combination of the substances can be mixed with water

gizmos student exploration calorimetry lab question and answers - Feb 19 2022

web sep 4 2021 when a hot object is placed in the calorimeter heat energy is transferred from the object to the water and the water heats up calorimeters can be used to find a substance s specific heat capacity you will use the calorimetry lab gizmo to determine the specific heat capacities of various substances 1 on the simulation pane select

calorimetry lab se gizmo name studocu - Feb 02 2023

web gizmo warm up a calorimeter is an insulated container filled with a liquid usually water when a hot object is placed in the calorimeter heat energy is transferred from the object to the water and the water heats up calorimeters can be used to find a substance s specific heat capacity

lesson info for calorimetry lab explorelearning gizmos - Jan 01 2023

web lesson info for calorimetry lab investigate how calorimetry can be used to find relative specific heat values when different substances are mixed with water modify initial mass and temperature values to see effects on the system one or any combination of the substances can be mixed with water

calorimetry gizmo lab name date student exploration calorimetry - Sep 09 2023

web when a hot object is placed in the calorimeter heat energy is transferred from the object to the water and the water heats up calorimeters can be used to find a substance s specific heat capacity you will use the calorimetry lab gizmo to determine the specific heat capacities of various substances on the simulation pane select copper

copy of calorimetry lab se name samaira pandey date 9 29 - Jun 06 2023

web student exploration calorimetry lab directions follow the instructions to go through the simulation respond to the questions and prompts in the orange boxes vocabulary calorie calorimeter joule specific heat capacity prior knowledge questions do these before using the gizmo

[student exploration calorimetry lab answer key blogger](#) - Jul 07 2023

web jun 4 2019 explain question what factors determine how heat energy transfers between objects 1 predict in the gizmo warm up you saw how 200 g of 90 c copper transfers heat to 200 g of 30 0 c water a how do you think increasing the water s mass would affect the final temperature

chemistrysch4u1 calorimetry gizmo answers pdf course - Mar 23 2022

web calorimetry lab gizmo answers answers fanatic student exploration calorimetry lab answer key you will use the calorimetry lab gizmo to determine the specific heat capacities of various substances 1 on the simulation pane select copper use the slider to set its mass to 200 g set the water mass to 200 g

instructions for the calorimetry lab gizmo youtube - Aug 28 2022

web this is the instructional video that shows you how to use the calorimetry lab gizmo on the explore learning website explorelearning com

calorimetry lab gizmo answers pdf course hero - Jun 25 2022

web merely said the calorimetry lab gizmo answers is universally compatible with any devices to read calorimetry lab gizmo answers you will use the calorimetry lab gizmo to determine the specific heat capacities of various substances 1

[gizmos calorimetry lab flashcards quizlet](#) - Apr 04 2023

web terms in this set 4 calorie the amount of energy needed to increase the temperature of 1 gram of water by 1 c calorimeter a device used to measure the amount of heat that

[calorimetry lab gizmo all answers correct docmerit](#) - Sep 28 2022

web jan 17 2022 you even benefit from summaries made a couple of years ago student exploration calorimetry lab vocabulary calorie calorimeter joule specific heat capacity prior knowledge questions do these before using the gizmo 1 the latin word calor means heat and meter comes from the greek word meaning to measure