

## OWNER'S MANUAL GC160 • GC190



Click to Save File

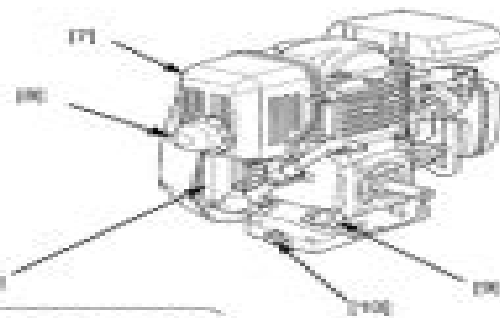
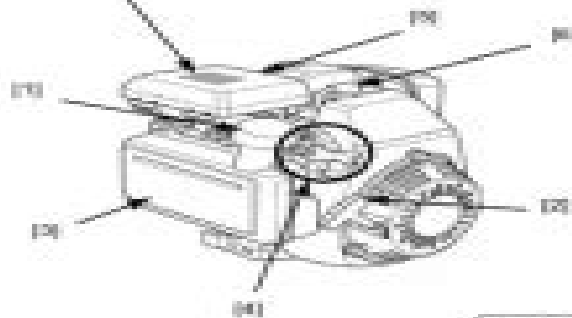
ENGLISH

FRANÇAIS

ESPAÑOL

**⚠ WARNING**  
Gasoline is highly flammable and explosive. Turn engine off and let cool before refueling. The engine emits toxic carbon monoxide. Do not run in an enclosed area. Read Owner's Manual before operation. Honda Motor Co., Ltd.

**⚠ WARNING**  
The engine exhaust from this product contains chemicals known to the State of California to cause cancer, birth defects, or other reproductive harm.



**COMPONENT LOCATION**

1	Fuel filter cap
2	Starter grip
3	Fuel tank
4	Control location *
5	Air cleaner
6	Spark plug

7	Muffler
8	Muffler deflector (optional)
9	Oil filter cap (device)
10	Oil drain bolt
11	Engine serial number and type

\* The engine control area differs based on the engine type. Refer to the individual figures on page 2 to determine your engine control type when reading the Operation section and other sections in this manual.



# [Honda Gc160 Tech Manual](#)

**Honda Giken Kōgyō Kabushiki Kaisha**



## **Honda Gc160 Tech Manual:**

Recognizing the pretension ways to acquire this books **Honda Gc160 Tech Manual** is additionally useful. You have remained in right site to begin getting this info. acquire the Honda Gc160 Tech Manual member that we present here and check out the link.

You could purchase lead Honda Gc160 Tech Manual or get it as soon as feasible. You could quickly download this Honda Gc160 Tech Manual after getting deal. So, taking into account you require the book swiftly, you can straight acquire it. Its consequently enormously easy and hence fats, isnt it? You have to favor to in this expose

[https://staging.conocer.cide.edu/data/browse/index.jsp/inspektor\\_jury\\_geht\\_aaabers\\_moor\\_roman.pdf](https://staging.conocer.cide.edu/data/browse/index.jsp/inspektor_jury_geht_aaabers_moor_roman.pdf)

## **Table of Contents Honda Gc160 Tech Manual**

1. Understanding the eBook Honda Gc160 Tech Manual
  - The Rise of Digital Reading Honda Gc160 Tech Manual
  - Advantages of eBooks Over Traditional Books
2. Identifying Honda Gc160 Tech Manual
  - Exploring Different Genres
  - Considering Fiction vs. Non-Fiction
  - Determining Your Reading Goals
3. Choosing the Right eBook Platform
  - Popular eBook Platforms
  - Features to Look for in an Honda Gc160 Tech Manual
  - User-Friendly Interface
4. Exploring eBook Recommendations from Honda Gc160 Tech Manual
  - Personalized Recommendations
  - Honda Gc160 Tech Manual User Reviews and Ratings
  - Honda Gc160 Tech Manual and Bestseller Lists
5. Accessing Honda Gc160 Tech Manual Free and Paid eBooks

- Honda Gc160 Tech Manual Public Domain eBooks
  - Honda Gc160 Tech Manual eBook Subscription Services
  - Honda Gc160 Tech Manual Budget-Friendly Options
6. Navigating Honda Gc160 Tech Manual eBook Formats
    - ePub, PDF, MOBI, and More
    - Honda Gc160 Tech Manual Compatibility with Devices
    - Honda Gc160 Tech Manual Enhanced eBook Features
  7. Enhancing Your Reading Experience
    - Adjustable Fonts and Text Sizes of Honda Gc160 Tech Manual
    - Highlighting and Note-Taking Honda Gc160 Tech Manual
    - Interactive Elements Honda Gc160 Tech Manual
  8. Staying Engaged with Honda Gc160 Tech Manual
    - Joining Online Reading Communities
    - Participating in Virtual Book Clubs
    - Following Authors and Publishers Honda Gc160 Tech Manual
  9. Balancing eBooks and Physical Books Honda Gc160 Tech Manual
    - Benefits of a Digital Library
    - Creating a Diverse Reading Collection Honda Gc160 Tech Manual
  10. Overcoming Reading Challenges
    - Dealing with Digital Eye Strain
    - Minimizing Distractions
    - Managing Screen Time
  11. Cultivating a Reading Routine Honda Gc160 Tech Manual
    - Setting Reading Goals Honda Gc160 Tech Manual
    - Carving Out Dedicated Reading Time
  12. Sourcing Reliable Information of Honda Gc160 Tech Manual
    - Fact-Checking eBook Content of Honda Gc160 Tech Manual
    - Distinguishing Credible Sources
  13. Promoting Lifelong Learning
    - Utilizing eBooks for Skill Development

- Exploring Educational eBooks
14. Embracing eBook Trends
- Integration of Multimedia Elements
  - Interactive and Gamified eBooks

### **Honda Gc160 Tech Manual Introduction**

Free PDF Books and Manuals for Download: Unlocking Knowledge at Your Fingertips In today's fast-paced digital age, obtaining valuable knowledge has become easier than ever. Thanks to the internet, a vast array of books and manuals are now available for free download in PDF format. Whether you are a student, professional, or simply an avid reader, this treasure trove of downloadable resources offers a wealth of information, conveniently accessible anytime, anywhere. The advent of online libraries and platforms dedicated to sharing knowledge has revolutionized the way we consume information. No longer confined to physical libraries or bookstores, readers can now access an extensive collection of digital books and manuals with just a few clicks. These resources, available in PDF, Microsoft Word, and PowerPoint formats, cater to a wide range of interests, including literature, technology, science, history, and much more. One notable platform where you can explore and download free Honda Gc160 Tech Manual PDF books and manuals is the internet's largest free library. Hosted online, this catalog compiles a vast assortment of documents, making it a veritable goldmine of knowledge. With its easy-to-use website interface and customizable PDF generator, this platform offers a user-friendly experience, allowing individuals to effortlessly navigate and access the information they seek. The availability of free PDF books and manuals on this platform demonstrates its commitment to democratizing education and empowering individuals with the tools needed to succeed in their chosen fields. It allows anyone, regardless of their background or financial limitations, to expand their horizons and gain insights from experts in various disciplines. One of the most significant advantages of downloading PDF books and manuals lies in their portability. Unlike physical copies, digital books can be stored and carried on a single device, such as a tablet or smartphone, saving valuable space and weight. This convenience makes it possible for readers to have their entire library at their fingertips, whether they are commuting, traveling, or simply enjoying a lazy afternoon at home. Additionally, digital files are easily searchable, enabling readers to locate specific information within seconds. With a few keystrokes, users can search for keywords, topics, or phrases, making research and finding relevant information a breeze. This efficiency saves time and effort, streamlining the learning process and allowing individuals to focus on extracting the information they need. Furthermore, the availability of free PDF books and manuals fosters a culture of continuous learning. By removing financial barriers, more people can access educational resources and pursue lifelong learning, contributing to personal growth and professional development. This democratization of knowledge promotes intellectual curiosity and empowers

individuals to become lifelong learners, promoting progress and innovation in various fields. It is worth noting that while accessing free Honda Gc160 Tech Manual PDF books and manuals is convenient and cost-effective, it is vital to respect copyright laws and intellectual property rights. Platforms offering free downloads often operate within legal boundaries, ensuring that the materials they provide are either in the public domain or authorized for distribution. By adhering to copyright laws, users can enjoy the benefits of free access to knowledge while supporting the authors and publishers who make these resources available. In conclusion, the availability of Honda Gc160 Tech Manual free PDF books and manuals for download has revolutionized the way we access and consume knowledge. With just a few clicks, individuals can explore a vast collection of resources across different disciplines, all free of charge. This accessibility empowers individuals to become lifelong learners, contributing to personal growth, professional development, and the advancement of society as a whole. So why not unlock a world of knowledge today? Start exploring the vast sea of free PDF books and manuals waiting to be discovered right at your fingertips.

### FAQs About Honda Gc160 Tech Manual Books

**What is a Honda Gc160 Tech Manual PDF?** A PDF (Portable Document Format) is a file format developed by Adobe that preserves the layout and formatting of a document, regardless of the software, hardware, or operating system used to view or print it. **How do I create a Honda Gc160 Tech Manual PDF?** There are several ways to create a PDF: Use software like Adobe Acrobat, Microsoft Word, or Google Docs, which often have built-in PDF creation tools. Print to PDF: Many applications and operating systems have a "Print to PDF" option that allows you to save a document as a PDF file instead of printing it on paper. Online converters: There are various online tools that can convert different file types to PDF. **How do I edit a Honda Gc160 Tech Manual PDF?** Editing a PDF can be done with software like Adobe Acrobat, which allows direct editing of text, images, and other elements within the PDF. Some free tools, like PDFescape or Smallpdf, also offer basic editing capabilities. **How do I convert a Honda Gc160 Tech Manual PDF to another file format?** There are multiple ways to convert a PDF to another format: Use online converters like Smallpdf, Zamzar, or Adobe Acrobat's export feature to convert PDFs to formats like Word, Excel, JPEG, etc. Software like Adobe Acrobat, Microsoft Word, or other PDF editors may have options to export or save PDFs in different formats. **How do I password-protect a Honda Gc160 Tech Manual PDF?** Most PDF editing software allows you to add password protection. In Adobe Acrobat, for instance, you can go to "File" -> "Properties" -> "Security" to set a password to restrict access or editing capabilities. Are there any free alternatives to Adobe Acrobat for working with PDFs? Yes, there are many free alternatives for working with PDFs, such as: LibreOffice: Offers PDF editing features. PDFsam: Allows splitting, merging, and editing PDFs. Foxit Reader: Provides basic PDF viewing and

editing capabilities. How do I compress a PDF file? You can use online tools like Smallpdf, ILovePDF, or desktop software like Adobe Acrobat to compress PDF files without significant quality loss. Compression reduces the file size, making it easier to share and download. Can I fill out forms in a PDF file? Yes, most PDF viewers/editors like Adobe Acrobat, Preview (on Mac), or various online tools allow you to fill out forms in PDF files by selecting text fields and entering information. Are there any restrictions when working with PDFs? Some PDFs might have restrictions set by their creator, such as password protection, editing restrictions, or print restrictions. Breaking these restrictions might require specific software or tools, which may or may not be legal depending on the circumstances and local laws.

**Find Honda Gc160 Tech Manual :**

~~inspektor jury geht aaabers moor roman~~

*instructors manual test item file to accompany*

**insights for today the wisdom of the proverbs**

**instructors manual to accompany essentials of paralegalism paralegal series**

insiders guide to savannah and hilton head

**inside the java 1.2 virtual machine**

*instructors resource guide to accompany marketing research sixth edition*

~~inspector morse deadly slumber~~

instant success - eb alto saxophone starting system for all band methods

~~instructors manual to accompany social gerontology a multidisciplinary perspective~~

institutional review board management and function study guide second edition

inside the household

instructors manual for broadcasting/cable & beyond 3rd ed ppb

*insomnio streb y depresion nervioso*

instructors guide to accompany dollars and sense an introduction

**Honda Gc160 Tech Manual :**

The Geography of You and Me by Jennifer E. Smith Apr 15, 2014 — Read 3652 reviews from the world's largest community for readers. Lucy and Owen meet somewhere between the tenth and eleventh floors of a ... The Geography of You and Me by Smith, Jennifer E. It's the tale of a boy and girl - total strangers - who meet in an elevator when the power goes out. After



their power outage adventure, they both end up moving ... The Geography of You and Me Summary The Geography of You and Me (2014), a young adult contemporary romance novel by Jennifer E. Smith, follows what happens when two teenagers fall in love on ... The Geography of You and Me Smartly observed and wonderfully romantic, Jennifer E. Smith's new novel shows that the center of the world isn't necessarily a place. Sometimes, it can be a ... Book Review: The Geography Of You And Me - What's Hot Blog Apr 19, 2014 — The Geography of You and Me is a young adult romance novel by Jennifer E Smith. Can this young couple's long-distance relationship last? Review: The Geography of You and Me by Jennifer E. Smith Aug 9, 2016 — The Geography of You and Me by Jennifer E. Smith Genre: Contemporary, Romance Published by: Headline Pages: 337. Format: Paperback The Geography of You and Me by Jennifer E. Smith, ... Owen and Lucy meet when they get stuck in an elevator together. The power in New York City goes out and they spend an entire night together, watching the stars. The Geography of You and Me by Jennifer E. Smith Aug 3, 2014 — Smith tells the story of two teenagers, Owen and Lucy. They lead very different lives and have very little in common apart from the apartment ... The Geography of You and Me Owen and Lucy meet when they get stuck in a New York City elevator during a widespread power outage. They quickly connect, spending an intimate (but chaste) ... The Geography of You and Me (Paperback) Mar 3, 2015 — "The Geography of You and Me is a magic, magic book. It will take you to a place where we all want to live, where true love overcomes any ... Financial Accounting - Weygandt - Kimmel - Kieso Financial Accounting - Weygandt - Kimmel - Kieso - Solution Manual Managerial Accounting · 1. Explain the distinguishing features · 2. Identify the three broad ... Solution Manual For Financial And Managerial Accounting ... Jan 23, 2023 — Solution Manual For Financial And Managerial Accounting 4th Edition by Jerry J Weygandt. Financial and Managerial Accounting (4th Edition) Solutions Access the complete solution set for Weygandt's Financial and Managerial Accounting (4th Edition). Financial And Managerial Accounting 4th Edition Textbook ... Unlike static PDF Financial and Managerial Accounting 4th Edition solution manuals or printed answer keys, our experts show you how to solve each problem step- ... Test Bank Solutions for Financial and Managerial ... Solutions, Test Bank, PDF Textbook ebook for Financial and Managerial Accounting 4e 4th Edition by Jerry J. Weygandt, Paul D. Kimmel. Financial and Managerial Accounting 2nd Edition ... Solutions Manual, Answer key, Instructor's Resource Manual, Problems Set, Exercises, ... for all chapters are included. Financial and Managerial Accounting, 2nd ... Financial And Managerial Accounting 15th Edition ... Textbook solutions for Financial And Managerial Accounting 15th Edition WARREN and others in this series. View step-by-step homework solutions for your ... Solution manual for financial and managerial accounting ... Full SOLUTION MANUAL FOR Financial And Managerial Accounting 4th Edition by Jerry J Weygandt, Paul D Kimmel, Jill E Mitchel CHAPTER 1 Accounting in Action ... Financial and Managerial Accounting Textbook Solutions Financial and Managerial Accounting textbook solutions from Chegg, view all supported editions. Financial and Managerial Accounting - 1st Edition Find step-by-step solutions and answers to Financial and Managerial Accounting - 9781118214046, as well as

thousands of textbooks so you can move forward ... McCormick CX105 Tractor Service Repair Manual Sep 13, 2018 — Read McCormick CX105 Tractor Service Repair Manual by 1632723 on Issuu and browse thousands of other publications on our platform. Shop our selection of McCormick CX105 Parts and Manuals Some of the parts available for your McCormick CX105 include Air Conditioning, Clutch, Transmission, PTO, Electrical & Gauges, Filters, Front Axle and Steering, ... McCormick CX105 Parts Diagrams McCormick CX105 Exploded View parts lookup by model. Complete exploded views of all the major manufacturers. It is EASY and FREE. McCormick CX75 CX85 CX95 CX105 Parts Manual Tractor ... McCormick CX75 CX85 CX95 CX105 Parts Manual Tractor contains exploded views with all the original parts and assist you in servicing, ... McCormick Cx105 Tractor Parts Buy McCormick Cx105 Tractor parts from Hy-Capacity, a remanufacturer and seller of agricultural parts, based in Iowa. McCormick CX75 CX85 CX95 CX105 Tractor Parts ... McCormick CX75 CX85 CX95 CX105 Tractor Parts Catalog Manual PC7-2200 ; Item Number. 256275283722 ; Accurate description. 4.8 ; Reasonable shipping cost. 5.0. Mc cormick cx105 tractor operator manual | PDF Jan 25, 2021 — Mc cormick cx105 tractor operator manual - Download as a PDF or view online for free. McCormick Tractor CX75 CX85 CX95 CX105 Parts Catalog Sep 10, 2020 — McCormick Tractor CX75 CX85 CX95 CX105 Parts Catalog Size: 35.4 MB Format : PDF Language : English Brand: McCormick McCormick CX Series CX105 Tractor Parts Listed on this page are parts suitable for McCormick CX105 tractors. Agriline Products stock a wide range of quality parts, including engine kits, ... McCormick CX 75 - 85 - 95 -105 Parts Catalog - YouTube