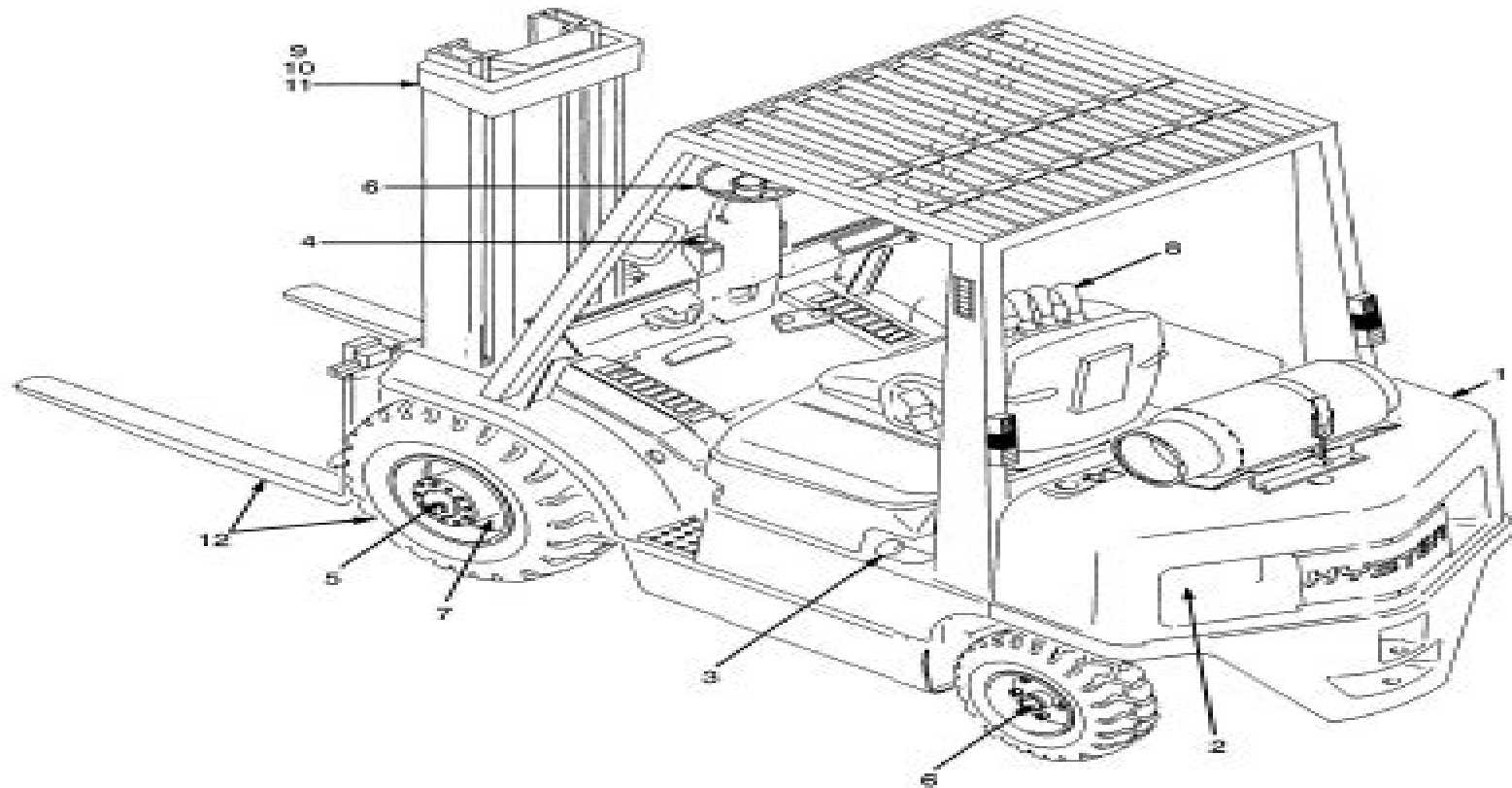


ILLUSTRATED CONTENTS



REF	SECTION	PAGE
1	Frame	1
2	Engine	13
3	Fuel System	107
4	Electrical System	175
5	Transmission	285
6	Steering System	307
7	Brake System	315
8	Hydraulic System	323
9	Two Stage Limited Free-Lift Mast	347
10	Three Stage Full Free-Lift Mast	369
11	Two Stage Full Free-Lift Mast	403
12	Optional	435
13	Numerical Index	481

Hyster H65xm Manual

Hyster Co



Hyster H65xm Manual:

State of Colorado Mobile Equipment Manual ,2005 Hyster Service Manual: Spacesaver S60B, S70B, S80B, S100B
and Challenger H60C, H70C, H80C, H100C, H120C (fork Lift Trucks). Hyster Company,1975 Hyster Parts Manual ,1995
Hyster V.a. 70 Fork Lift Truck Operations Manual J. B. Hopkinson,R. O. Newberry,1962 **Parts Manual** ,1995
Service Manual ,1972 *Hyster History* Hyster Co,1954*

Thank you very much for reading **Hyster H65xm Manual**. As you may know, people have search numerous times for their chosen books like this Hyster H65xm Manual, but end up in harmful downloads.

Rather than reading a good book with a cup of tea in the afternoon, instead they are facing with some harmful bugs inside their desktop computer.

Hyster H65xm Manual is available in our digital library an online access to it is set as public so you can get it instantly. Our book servers spans in multiple countries, allowing you to get the most less latency time to download any of our books like this one.

Merely said, the Hyster H65xm Manual is universally compatible with any devices to read

https://staging.conocer.cide.edu/public/virtual-library/Download_PDFS/mastersizer_malvern_zs_manual.pdf

Table of Contents Hyster H65xm Manual

1. Understanding the eBook Hyster H65xm Manual
 - The Rise of Digital Reading Hyster H65xm Manual
 - Advantages of eBooks Over Traditional Books
2. Identifying Hyster H65xm Manual
 - Exploring Different Genres
 - Considering Fiction vs. Non-Fiction
 - Determining Your Reading Goals
3. Choosing the Right eBook Platform
 - Popular eBook Platforms
 - Features to Look for in an Hyster H65xm Manual
 - User-Friendly Interface
4. Exploring eBook Recommendations from Hyster H65xm Manual
 - Personalized Recommendations
 - Hyster H65xm Manual User Reviews and Ratings

-
- Hyster H65xm Manual and Bestseller Lists
5. Accessing Hyster H65xm Manual Free and Paid eBooks
 - Hyster H65xm Manual Public Domain eBooks
 - Hyster H65xm Manual eBook Subscription Services
 - Hyster H65xm Manual Budget-Friendly Options
 6. Navigating Hyster H65xm Manual eBook Formats
 - ePub, PDF, MOBI, and More
 - Hyster H65xm Manual Compatibility with Devices
 - Hyster H65xm Manual Enhanced eBook Features
 7. Enhancing Your Reading Experience
 - Adjustable Fonts and Text Sizes of Hyster H65xm Manual
 - Highlighting and Note-Taking Hyster H65xm Manual
 - Interactive Elements Hyster H65xm Manual
 8. Staying Engaged with Hyster H65xm Manual
 - Joining Online Reading Communities
 - Participating in Virtual Book Clubs
 - Following Authors and Publishers Hyster H65xm Manual
 9. Balancing eBooks and Physical Books Hyster H65xm Manual
 - Benefits of a Digital Library
 - Creating a Diverse Reading Collection Hyster H65xm Manual
 10. Overcoming Reading Challenges
 - Dealing with Digital Eye Strain
 - Minimizing Distractions
 - Managing Screen Time
 11. Cultivating a Reading Routine Hyster H65xm Manual
 - Setting Reading Goals Hyster H65xm Manual
 - Carving Out Dedicated Reading Time
 12. Sourcing Reliable Information of Hyster H65xm Manual
 - Fact-Checking eBook Content of Hyster H65xm Manual
 - Distinguishing Credible Sources

-
13. Promoting Lifelong Learning
 - Utilizing eBooks for Skill Development
 - Exploring Educational eBooks
 14. Embracing eBook Trends
 - Integration of Multimedia Elements
 - Interactive and Gamified eBooks

Hyster H65xm Manual Introduction

In today's digital age, the availability of Hyster H65xm Manual books and manuals for download has revolutionized the way we access information. Gone are the days of physically flipping through pages and carrying heavy textbooks or manuals. With just a few clicks, we can now access a wealth of knowledge from the comfort of our own homes or on the go. This article will explore the advantages of Hyster H65xm Manual books and manuals for download, along with some popular platforms that offer these resources. One of the significant advantages of Hyster H65xm Manual books and manuals for download is the cost-saving aspect. Traditional books and manuals can be costly, especially if you need to purchase several of them for educational or professional purposes. By accessing Hyster H65xm Manual versions, you eliminate the need to spend money on physical copies. This not only saves you money but also reduces the environmental impact associated with book production and transportation. Furthermore, Hyster H65xm Manual books and manuals for download are incredibly convenient. With just a computer or smartphone and an internet connection, you can access a vast library of resources on any subject imaginable. Whether you're a student looking for textbooks, a professional seeking industry-specific manuals, or someone interested in self-improvement, these digital resources provide an efficient and accessible means of acquiring knowledge. Moreover, PDF books and manuals offer a range of benefits compared to other digital formats. PDF files are designed to retain their formatting regardless of the device used to open them. This ensures that the content appears exactly as intended by the author, with no loss of formatting or missing graphics. Additionally, PDF files can be easily annotated, bookmarked, and searched for specific terms, making them highly practical for studying or referencing. When it comes to accessing Hyster H65xm Manual books and manuals, several platforms offer an extensive collection of resources. One such platform is Project Gutenberg, a nonprofit organization that provides over 60,000 free eBooks. These books are primarily in the public domain, meaning they can be freely distributed and downloaded. Project Gutenberg offers a wide range of classic literature, making it an excellent resource for literature enthusiasts. Another popular platform for Hyster H65xm Manual books and manuals is Open Library. Open Library is an initiative of the Internet Archive, a non-profit organization dedicated to digitizing cultural artifacts and making them accessible to the public. Open Library hosts millions of books, including both

public domain works and contemporary titles. It also allows users to borrow digital copies of certain books for a limited period, similar to a library lending system. Additionally, many universities and educational institutions have their own digital libraries that provide free access to PDF books and manuals. These libraries often offer academic texts, research papers, and technical manuals, making them invaluable resources for students and researchers. Some notable examples include MIT OpenCourseWare, which offers free access to course materials from the Massachusetts Institute of Technology, and the Digital Public Library of America, which provides a vast collection of digitized books and historical documents. In conclusion, Hyster H65xm Manual books and manuals for download have transformed the way we access information. They provide a cost-effective and convenient means of acquiring knowledge, offering the ability to access a vast library of resources at our fingertips. With platforms like Project Gutenberg, Open Library, and various digital libraries offered by educational institutions, we have access to an ever-expanding collection of books and manuals. Whether for educational, professional, or personal purposes, these digital resources serve as valuable tools for continuous learning and self-improvement. So why not take advantage of the vast world of Hyster H65xm Manual books and manuals for download and embark on your journey of knowledge?

FAQs About Hyster H65xm Manual Books

How do I know which eBook platform is the best for me? Finding the best eBook platform depends on your reading preferences and device compatibility. Research different platforms, read user reviews, and explore their features before making a choice. Are free eBooks of good quality? Yes, many reputable platforms offer high-quality free eBooks, including classics and public domain works. However, make sure to verify the source to ensure the eBook credibility. Can I read eBooks without an eReader? Absolutely! Most eBook platforms offer webbased readers or mobile apps that allow you to read eBooks on your computer, tablet, or smartphone. How do I avoid digital eye strain while reading eBooks? To prevent digital eye strain, take regular breaks, adjust the font size and background color, and ensure proper lighting while reading eBooks. What the advantage of interactive eBooks? Interactive eBooks incorporate multimedia elements, quizzes, and activities, enhancing the reader engagement and providing a more immersive learning experience. Hyster H65xm Manual is one of the best book in our library for free trial. We provide copy of Hyster H65xm Manual in digital format, so the resources that you find are reliable. There are also many Ebooks of related with Hyster H65xm Manual. Where to download Hyster H65xm Manual online for free? Are you looking for Hyster H65xm Manual PDF? This is definitely going to save you time and cash in something you should think about. If you trying to find then search around for online. Without a doubt there are numerous these available and many of them have the freedom. However without doubt you receive whatever you purchase. An alternate

way to get ideas is always to check another Hyster H65xm Manual. This method for see exactly what may be included and adopt these ideas to your book. This site will almost certainly help you save time and effort, money and stress. If you are looking for free books then you really should consider finding to assist you try this. Several of Hyster H65xm Manual are for sale to free while some are payable. If you arent sure if the books you would like to download works with for usage along with your computer, it is possible to download free trials. The free guides make it easy for someone to free access online library for download books to your device. You can get free download on free trial for lots of books categories. Our library is the biggest of these that have literally hundreds of thousands of different products categories represented. You will also see that there are specific sites catered to different product types or categories, brands or niches related with Hyster H65xm Manual. So depending on what exactly you are searching, you will be able to choose e books to suit your own need. Need to access completely for Campbell Biology Seventh Edition book? Access Ebook without any digging. And by having access to our ebook online or by storing it on your computer, you have convenient answers with Hyster H65xm Manual To get started finding Hyster H65xm Manual, you are right to find our website which has a comprehensive collection of books online. Our library is the biggest of these that have literally hundreds of thousands of different products represented. You will also see that there are specific sites catered to different categories or niches related with Hyster H65xm Manual So depending on what exactly you are searching, you will be able to choose ebook to suit your own need. Thank you for reading Hyster H65xm Manual. Maybe you have knowledge that, people have search numerous times for their favorite readings like this Hyster H65xm Manual, but end up in harmful downloads. Rather than reading a good book with a cup of coffee in the afternoon, instead they juggled with some harmful bugs inside their laptop. Hyster H65xm Manual is available in our book collection an online access to it is set as public so you can download it instantly. Our digital library spans in multiple locations, allowing you to get the most less latency time to download any of our books like this one. Merely said, Hyster H65xm Manual is universally compatible with any devices to read.

Find Hyster H65xm Manual :

mastersizer malvern zs manual

masteringchemistry answer key

masterbuilt smoker manual

master of the universe outtakes oh fifty 1831

mastering autodesk revit mep 2014

mastering astronomy answers chapter 4

~~massey-ferguson mf8200 series tractor service manual~~

massey ferguson te20 starter wiring

mastering the requirements process 3rd edition

mastering magento theme design sacca andrea

mastering chemistry answer key kinetics

masshealth provider manual series

mastering adjusting entries study guide

massey ferguson mf 255 tiller manual

~~mastering aregis review question answers~~

Hyster H65xm Manual :

kmtc fee structure download fill online printable fillable - Mar 01 2022

web eldoret campus kmtc fees structure and payment details the kmtc fee structure is categorized into two based on the student admissions criteria i e government

bomet kmtc admissions courses fees location and - Feb 12 2023

web this college became operational from the year 2013 the following are the updated details concerning the intakes admissions process courses programs fee structure student

kmtc fees structure per course semester - Jun 16 2023

notes 1 the fee structure is currently being discussed by the ministry of health and any changes that may be approved will be communicated to you 2 should see more

kmtc fee structure for self sponsored students 2023 2024 - Apr 02 2022

web nov 28 2022 the official kenya medical training college kmtc kapkatet fees booklet covers tuition fees course material fees registration fees residential fees

kmtc fees structure 2023 2024 kenyadmission - Sep 07 2022

web short courses the following short courses are on offer in various campuses short courses are offered to individuals corporates or tailor made for organizations enrol

kmtc fees structure 2022 regular self - Dec 10 2022

web jan 1 2021 kmtc fees structure regular programmes including the kmtc fee structure for diploma in pharmacy regular study program regular refers to students

kmtc intake for 2020 2021 tuko co ke tuko news - Jun 04 2022

web aug 18 2023 below is the current kmtc fee structure for self sponsored students just in case you have been admitted to

kmtc as a privately sponsored student or you re

kmtc fee structure for nursing 2023 intake kenya education - Apr 14 2023

web kmtc certificate in nursing course takes 2 years to complete at the end graduates are awarded with certificate in enrolled community health nursing from here certificate

kmtc medical training college kmtc fees structure 2023 2024 - May 03 2022

web the kenya medical training college kmtc fee structure varies depending on the course and study level to download the kmtc fee structure for the current academic year

kmtc 2023 courses intake requirements fees admisiions - Jul 05 2022

web nov 30 2022 click here to access fees structure from the link above to access and download pdf the kenya medical training college kmtc fees structure 2023 2024

kmtc kapkatet fees structure 2023 2024 kenya - Jan 31 2022

web kenya medical training college kmtc admissions courses fees location and contacts the following are the updated details concerning the intakes admissions process

kmtc nursing course requirements fees intakes and duration - May 15 2023

web apr 20 2023 kmtc intake 2013 fees structure 1 9 downloaded from uniport edu ng on april 20 2023 by guest kmtc intake 2013 fees structure this is likewise one of the

[migori kmtc admission courses fees location and contacts - Oct 28 2021](#)

kmtc fees structure for all courses programmes and how to - Sep 19 2023

charges for meals and accommodation shall be payable directly at the respective campus at applicable rates the respective college bank account details shall be provided upon admission for this purpose notes 1 the fee structure is currently being discussed by the ministry of health and any changes that see more

kmtc fees structure for regular and self sponsored - Jan 11 2023

web aug 16 2023 if you have been admitted into the diploma in pharmacy course at kmtc below is the current kmtc diploma in pharmacy fee structure to help you plan your

eldoret kmtc location admission courses fees structure - Dec 30 2021

web migori campus kmtc fees structure and payment details the kmtc fee structure is categorized into two based on the student admissions criteria i e government

[kmtc fees structure of 2023 2024 download and print - Aug 06 2022](#)

web nov 28 2022 kmtc intake for 2020 2021 updated monday november 28 2022 at 6 49 pm by jackline wangare kenya

medical training college is regularly known as kmtc

[kmtc intake 2013 fees structure pdf uniport edu](#) - Aug 18 2023

charges for meals and accommodation shall be payable directly at the respective campus at applicable rates the respective college bank account details shall be see more

[kangundo kmtc location admission courses fees](#) - Mar 13 2023

web jul 25 2023 fee for the year 1 1 st semester 41 700 2 nd semester 39 000 total per year 80700 fee for the year 2 during the second year you do not pay for registration

[kmtc diploma in pharmacy fee structure 2023 2024 intake](#) - Nov 09 2022

web kmtc fees structure 2023 2024 kenya medical training college kmtc has released the fees structure for 2023 2024 academic year see details below note kmtc

[kmtc intake registration requirements and fees](#) - Jul 17 2023

deposits can be made at any branch countrywide direct cash payments to the college will not be accepted see more

[chuka kmtc location admission courses fees structure and](#) - Nov 28 2021

kmtc fees structure 2023 academic year kenya education guide - Oct 08 2022

web download fees structure of kenya medical training college kmtc 2023 2024 and print if you an applicant of kmtc september intake you can login

ipazia e la musica dei pianeti roberta torre libreria ibs - Jul 19 2023

web ipazia e la musica dei pianeti è un libro di roberta torre pubblicato da rueballu nella collana jeunesse ottopiù acquista su ibs a 20 00

ipazia e la musica dei pianeti fronteraresources - May 17 2023

web dal mito di ipazia intraprendono un viaggio nei luoghi simbolo della magna grecia alla ricerca di un eredità filosofica e culturale ancora custodita in quella terra

ipazia e la musica dei pianeti libreria universitaria - Feb 14 2023

web ipazia e la musica dei pianeti di roberta torre scrivi per primo una recensione editore rueballu collana jeunesse ottopiù illustratore valentinis p data di pubblicazione 27 giugno 2016 ean 9788895689234 isbn 8895689232 pagine 112 formato brossura età consigliata 8 anni acquistabile con il bonus 18app o la carta del docente

[ipazia e la musica dei pianeti by roberta torre goodreads](#) - Jun 18 2023

web read 2 reviews from the world s largest community for readers amavo insegnare per strada alle persone qualsiasi a chiunque incontrassi e volesse sapere

[ipazia e la musica dei pianeti amolamatematica it](#) - Mar 15 2023

web dec 3 2018 roberta torre regista di cinema e teatro premiata nel 1998 con il david di donatello come migliore regista esordiente ha scritto nel 2016 ipazia e la musica dei pianeti per rueballu edizioni con le illustrazioni di pia valentinis artista che ha esposto in numerose mostre collettive e personali

[se ipazia viaggia su un asteroide micromega](#) - Jun 06 2022

web jun 8 2022 nel libro ipazia e la musica dei pianeti di roberta torre l incontro tra l astronauta camilla nostra contemporanea e la scienziata ipazia una lettura suggestiva che istiga al dubbio marilù oliva 8 giugno 2022

i 10 migliori libri su ipazia notizie scientifiche it - Oct 10 2022

web jul 24 2023 ipazia e la musica dei pianeti ipazia d alessandria ipazia muore ipazia martire del libero pensiero ipazia e la guerra tra i sessi ipazia di alessandria e l enigma di santa caterina ipazia di alessandria e sinesio di cirene un rapporto interculturale

ipazia vikidia l enciclopedia libera dagli 8 ai 13 anni - Jul 07 2022

web ipazia e la musica dei pianeti roberta torre 27 giugno 2016 rueballu edizioni storia della filosofia modifica sorgente in cerca di ipazia moreno neri 15 febbraio 2016 pontecorboli editore filmografia agorà 9 ottobre 2009 spagna genere romantico avventura regista alejandro amenabar coreografia gabriella pescucci

ipazia e la musica dei pianeti amazon it - Sep 21 2023

web scopri ipazia e la musica dei pianeti di torre roberta valentinis p spedizione gratuita per i clienti prime e per ordini a partire da 29 spediti da amazon

ipazia e la musica dei pianeti teste fiorite - Nov 11 2022

web oct 24 2016 ipazia non sembra appartenere ad un luogo del passato lei non è nella stessa alessandria che sta osservando quella manda luce come una stella spenta lei si trova su un asteroide che fluttua fuori dallo spazio e dal tempo dando tanto a camilla che a ipazia la possibilità di incontrarsi in un luogo fuori dalla storia

ipazia spiegata ai scienziati nel tempo di sara sestini facebook - Feb 02 2022

web ipazia spiegata ai bambini ipazia e la musica dei pianeti è un libro della regista roberta torri artista eclettica e sconfinatrice edito dalla casa siciliana rueballu dedicato ai più piccoli ma non solo racconta l incontro tra una bambina astronauta e

[ipazia spiegata a scienziati nel tempo di sara sestini facebook](#) - May 05 2022

web august 23 2021 ipazia spiegata a bambini e bambine ipazia e la musica dei pianeti della regista roberta torre eclettica e sconfinatrice edito dalla casa siciliana rueballu è un bel libro dedicato ai più piccoli ma non solo racconta l incontro tra una bambina astronauta e l astronoma filosofa ipazia

[ipazia e la musica dei pianeti rueballu](#) - Aug 20 2023

web isbn 9788895689234 roberta torre ipazia e la musica dei pianeti filosofa neoplatonica matematica astronoma scienziata ipazia incarna il sapere femminile che raggiunge i massimi livelli a uccidermi sono state le persone

[ipazia e la musica dei pianeti roberta torre il blog](#) - Aug 08 2022

web aug 31 2017 si chiama ipazia e le dice di venire dall'egitto e una filosofa e un'astronoma vissuta nel quarto secolo d.c. si intendono subito le due donne parlano la stessa lingua la lingua dei pianeti delle stelle donne curiose e libere camilla si chiede quale sia la sua storia e ipazia pian piano le racconta tutto

[libro ipazia e la musica dei pianeti r. torre lafeltrinelli](#) - Jan 13 2023

web acquista il libro ipazia e la musica dei pianeti di roberta torre in offerta lo trovi online a prezzi scontati su lafeltrinelli social incontri eventi dal 1957 libri e musica per tutti scopri vuoi mangiare in libreria vieni da red libri a colazione pranzo e cena scopri eventi 2500 eventi all'anno dall'incontro con l'autore

ipazia e la musica dei pianeti amazon.com.br - Dec 12 2022

web compre online ipazia e la musica dei pianeti de roberta valentiniis p. na amazon frete grátis em milhares de produtos com o amazon prime encontre diversos livros em inglês e outras línguas com ótimos preços

ipazia e la musica dei pianeti roberta torre mondadori store - Apr 16 2023

web jun 27 2016 ipazia e la musica dei pianeti roberta torre pubblicato da rueballu dai un voto prezzo online 20,00 prodotto acquistabile con carta del docente e 18app esaurito consegna gratis da 24 aggiungi ai preferiti

ipazia e la musica dei pianeti e riflessioni sul dolore - Sep 09 2022

web la musica dei pianeti può legare la neoplatonica ipazia alla musa di camilla ma solo se anche lei come già sinesio saprà abbeverarsi alla con il suo libro dedicato a ipazia e la musica dei pianeti ci ricorda implicitamente quanto sia bene cominciare presto a preparare il nostro cervello all'apertura mentale e al pensiero

giornalino miniscoop ipazia e la musica dei pianeti - Apr 04 2022

web jun 3 2023 le protagoniste di questo libro sono camilla una giovane astronata inviata nello spazio per una missione ascoltare la musica dei pianeti e ipazia camilla atterra su un asteroide sul quale incontra una donna che guarda tutto il giorno in un astrolabio strumento inventato da lei utilizzato per tantissimi anni dai marinai perché serviva a

ipazia e la musica dei pianeti paperback 1 juli 2016 - Mar 03 2022

web ipazia e la musica dei pianeti roberta valentiniis p. amazon.com.be boeken

[what is smps working principle of smps electricalgang](#) - Sep 06 2023

web apr 6 2023 how does a switch power supply work smps works by turning the main power on and off at a high speed to reduce the voltage in such a case the reduction in voltage depends on the ratio of time on and off time switching happens very

quickly 10 000 times or faster per second what is smps s short answer smps stands for switch power supply how does a non isolated smps work electrical - Dec 29 2022

web feb 5 2019 for a non isolated smps supply i think we either first rectify it and then pass it through the switching regulator or we first pass the input ac voltage through a switching regulator to get the desired voltage and then rectify it to get a dc voltage

switch mode power supply smps basics diagram arrow com - Aug 05 2023

web sep 12 2018 smps operation diagram the diagram above outlines how the smps operates an smps s functionality is more complex than that of a linear regulator but we can break it down into five stages 1 in the first stage the incoming ac power runs through a rectifier and undergoes filtration to produce dc 2

switched mode power supplies learn about electronics - Sep 25 2022

web fig 3 0 1 typical smps block diagram fig 3 0 1 shows a block diagram example of a typical smps with an ac mains line input and a regulated dc output the output rectification and filter are isolated from the high frequency switching section by a high frequency transformer and voltage control feedback is via an opto isolator

how smps power supply works block diagram youtube - Feb 28 2023

web mar 22 2021 how the smps power supply works what the smps switch mode power supply working principle the block diagram are explained in this video tutorial the smps

smps block diagram and working voltage regulator applied youtube - Jun 22 2022

web jan 12 2020 subject applied electronics video name smps block diagram and working chapter voltage regulator faculty prof shilpa gaikwad upskill and get placements w

switch mode power supply smps design buck boost - May 02 2023

web may 23 2017 a simplified block diagram of an smps which converts ac input to a regulated dc is shown in the following image although there are many number of design types for an smps power supply all the designs will be

electronic circuits smps online tutorials library - Oct 27 2022

web the block diagram of a linear power supply is as shown in the following figure in spite of the above disadvantages linear power supplies are widely used in low noise amplifiers test equipment control circuits in addition they

smps switched mode power supply an overview engineers - May 22 2022

web smps rely on pwm to control the average value of the output voltage the average value of the repetitive pulse waveform depends on the area under the waveform as load increases output voltage tends to fall most switching power supplies regulate their output using the method called pulse width modulation pwm

smps overview electronics workshop - Aug 25 2022

web feb 25 2021 fig block diagram of smps the working of smps is clearly explained in the above block diagram and each block is explained properly in the following section input section the input supply of our *power supply tutorial smps* - Mar 20 2022

web below is a conceptual circuit diagram of a typical off line smps this tutorial will introduce you to its basic operation how switching power supply smps works ac power first passes through fuses and a line filter then it is rectified by a full wave bridge rectifier

module 3 0 introduction to switched mode power supplies - Apr 01 2023

web hence a smps can be used to convert ac to dc such as in a desktop computer power supply or dc to dc either step up or step down in many different battery powered systems fig 3 0 1 shows a block diagram example of a typical smps with an ac mains line input and a regulated dc output

what is smps define smps its working block diagram how work - Feb 16 2022

web may 11 2021 what is smps a switched mode power supply is an electronic power supply that incorporates a switching regulator to convert electrical power efficiently lik

what is smps in computer define smps its working block diagram - Dec 17 2021

web what is smps in computer define smps and smps working block diagram smps basics computer concepts a switched mode power supply smps is an electronic circ

block diagram detailed working of smps switch mode power youtube - Jul 24 2022

web apr 2 2018 this video includes smps switch mode power supply with following outlines 1 smps switch mode power supply2 basics of smps switch mode power supply3 bl

switched mode power supply smps circuit working explanation - Jun 03 2023

web oct 15 2020 switched mode power supplies smps are basically dc dc converters if the input is ac input is first rectified to get the dc so depending on the input a smps may have two dc ac ac dc or three ac dc dc ac ac dc stages the block diagram is shows below the principle of an ac fed smps

switched mode power supply wikipedia - Jul 04 2023

web block diagram of a mains operated ac dc smps with output voltage regulation input rectifier stage ac half wave and full wave rectified signals if the smps has an ac input then the first stage is to convert the input to dc this is called rectification an smps with a dc input does not require this stage

simple smps circuit theorycircuit - Jan 18 2022

web aug 16 2017 this page contains a simple smps circuit which is capable of producing 12 volt dc with 1 amps current rating and this circuit contains few easily available components it may help you to design your own smps for your

what is smps with block diagram sage answer - Nov 15 2021

web mar 31 2021 what is smps with block diagram switched mode block diagram 1 shows a block diagram example of a typical smps with an ac mains line input and a regulated dc output the output rectification and filter are isolated from the high frequency switching section by a high frequency transformer and voltage control feedback is via an

smps basics working of switched mode power supply - Nov 27 2022

web apr 29 2020 forward converter in a forward converter the choke carries the current when the transistor is conducting as well as when it s not the diode carries the current during the off period of the transistor therefore energy flows into the load during both the periods

what is switch mode power supply smps types block diagram working - Oct 07 2023

web the figure given below represents the functional block diagram of smps initially the unregulated ac input signal from the source is provided to the input rectifier and filter circuit here the ac input signal is rectified to generate a dc signal and further smoothed to remove high frequency noise component from it

introduction to smps switched mode power supply engineers - Apr 20 2022

web smps regulates the output power by varying the on to off time using minimum voltage so that efficiency is very high compared to the linear power supply what is inside a smps fig 1 simple block diagram showing diffrent function of smps

smps block diagram and working for isolated topology - Jan 30 2023

web 1 answer sorted by 1 you got part of the answer in the comments because mains frequency is lower than the operating frequency of the power supply up to a point the higher the frequency the smaller the magnetics can be typical mains frequencies are well below that point