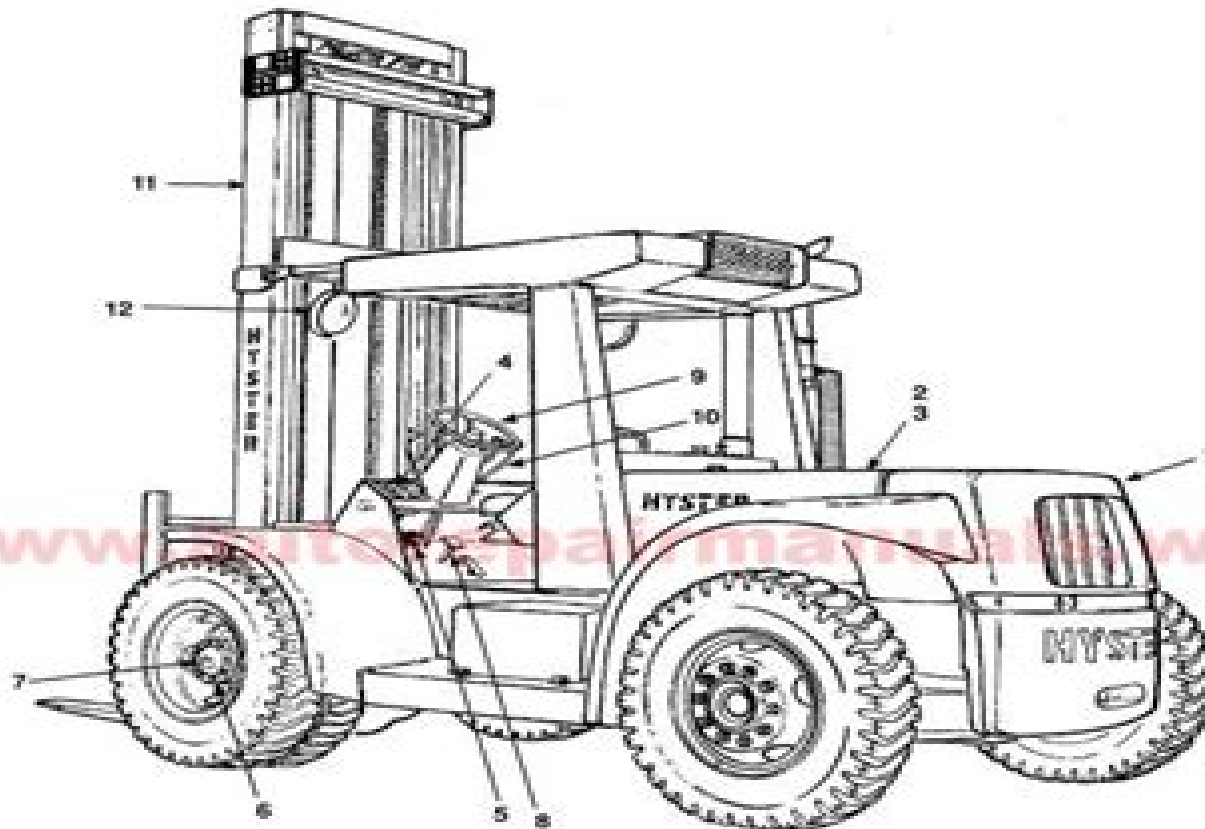


## ILLUSTRATED CONTENTS



REF	SECTION	PAGE
1	FRAME .....	Page 3
2	ENGINE .....	Page 23
3	FUEL SYSTEM .....	Page 93
4	ELECTRICAL SYSTEM .....	Page 139
5	CLUTCH .....	Page 163
6	TRANSMISSION .....	Page 171
7	DRIVE AXLE .....	Page 209
8	BRAKE SYSTEM .....	Page 225
9	STEERING SYSTEM .....	Page 245
10	HYDRAULIC SYSTEM .....	Page 263
11	MAST .....	Page 287
12	OPTIONAL EQUIPMENT .....	Page 311
	NEUMATIC INFLATION	Page 324

# Hyster Forklift Parts User Manual Manual

**CO Houle**



**Hyster Forklift Parts User Manual Manual:**

## **Hyster Forklift Parts User Manual Manual** Book Review: Unveiling the Power of Words

In a global driven by information and connectivity, the energy of words has be evident than ever. They have the ability to inspire, provoke, and ignite change. Such is the essence of the book **Hyster Forklift Parts User Manual Manual**, a literary masterpiece that delves deep into the significance of words and their effect on our lives. Published by a renowned author, this captivating work takes readers on a transformative journey, unraveling the secrets and potential behind every word. In this review, we will explore the book is key themes, examine its writing style, and analyze its overall impact on readers.

[https://staging.conocer.cide.edu/book/Resources/Documents/Mercury\\_Sable\\_Steering\\_Colum\\_Manual.pdf](https://staging.conocer.cide.edu/book/Resources/Documents/Mercury_Sable_Steering_Colum_Manual.pdf)

### **Table of Contents Hyster Forklift Parts User Manual Manual**

1. Understanding the eBook Hyster Forklift Parts User Manual Manual
  - The Rise of Digital Reading Hyster Forklift Parts User Manual Manual
  - Advantages of eBooks Over Traditional Books
2. Identifying Hyster Forklift Parts User Manual Manual
  - Exploring Different Genres
  - Considering Fiction vs. Non-Fiction
  - Determining Your Reading Goals
3. Choosing the Right eBook Platform
  - Popular eBook Platforms
  - Features to Look for in an Hyster Forklift Parts User Manual Manual
  - User-Friendly Interface
4. Exploring eBook Recommendations from Hyster Forklift Parts User Manual Manual
  - Personalized Recommendations
  - Hyster Forklift Parts User Manual Manual User Reviews and Ratings
  - Hyster Forklift Parts User Manual Manual and Bestseller Lists
5. Accessing Hyster Forklift Parts User Manual Manual Free and Paid eBooks

- Hyster Forklift Parts User Manual Manual Public Domain eBooks
  - Hyster Forklift Parts User Manual Manual eBook Subscription Services
  - Hyster Forklift Parts User Manual Manual Budget-Friendly Options
6. Navigating Hyster Forklift Parts User Manual Manual eBook Formats
    - ePub, PDF, MOBI, and More
    - Hyster Forklift Parts User Manual Manual Compatibility with Devices
    - Hyster Forklift Parts User Manual Manual Enhanced eBook Features
  7. Enhancing Your Reading Experience
    - Adjustable Fonts and Text Sizes of Hyster Forklift Parts User Manual Manual
    - Highlighting and Note-Taking Hyster Forklift Parts User Manual Manual
    - Interactive Elements Hyster Forklift Parts User Manual Manual
  8. Staying Engaged with Hyster Forklift Parts User Manual Manual
    - Joining Online Reading Communities
    - Participating in Virtual Book Clubs
    - Following Authors and Publishers Hyster Forklift Parts User Manual Manual
  9. Balancing eBooks and Physical Books Hyster Forklift Parts User Manual Manual
    - Benefits of a Digital Library
    - Creating a Diverse Reading Collection Hyster Forklift Parts User Manual Manual
  10. Overcoming Reading Challenges
    - Dealing with Digital Eye Strain
    - Minimizing Distractions
    - Managing Screen Time
  11. Cultivating a Reading Routine Hyster Forklift Parts User Manual Manual
    - Setting Reading Goals Hyster Forklift Parts User Manual Manual
    - Carving Out Dedicated Reading Time
  12. Sourcing Reliable Information of Hyster Forklift Parts User Manual Manual
    - Fact-Checking eBook Content of Hyster Forklift Parts User Manual Manual
    - Distinguishing Credible Sources
  13. Promoting Lifelong Learning
    - Utilizing eBooks for Skill Development

- Exploring Educational eBooks
14. Embracing eBook Trends
- Integration of Multimedia Elements
  - Interactive and Gamified eBooks

### **Hyster Forklift Parts User Manual Manual Introduction**

In this digital age, the convenience of accessing information at our fingertips has become a necessity. Whether its research papers, eBooks, or user manuals, PDF files have become the preferred format for sharing and reading documents. However, the cost associated with purchasing PDF files can sometimes be a barrier for many individuals and organizations. Thankfully, there are numerous websites and platforms that allow users to download free PDF files legally. In this article, we will explore some of the best platforms to download free PDFs. One of the most popular platforms to download free PDF files is Project Gutenberg. This online library offers over 60,000 free eBooks that are in the public domain. From classic literature to historical documents, Project Gutenberg provides a wide range of PDF files that can be downloaded and enjoyed on various devices. The website is user-friendly and allows users to search for specific titles or browse through different categories. Another reliable platform for downloading Hyster Forklift Parts User Manual Manual free PDF files is Open Library. With its vast collection of over 1 million eBooks, Open Library has something for every reader. The website offers a seamless experience by providing options to borrow or download PDF files. Users simply need to create a free account to access this treasure trove of knowledge. Open Library also allows users to contribute by uploading and sharing their own PDF files, making it a collaborative platform for book enthusiasts. For those interested in academic resources, there are websites dedicated to providing free PDFs of research papers and scientific articles. One such website is Academia.edu, which allows researchers and scholars to share their work with a global audience. Users can download PDF files of research papers, theses, and dissertations covering a wide range of subjects. Academia.edu also provides a platform for discussions and networking within the academic community. When it comes to downloading Hyster Forklift Parts User Manual Manual free PDF files of magazines, brochures, and catalogs, Issuu is a popular choice. This digital publishing platform hosts a vast collection of publications from around the world. Users can search for specific titles or explore various categories and genres. Issuu offers a seamless reading experience with its user-friendly interface and allows users to download PDF files for offline reading. Apart from dedicated platforms, search engines also play a crucial role in finding free PDF files. Google, for instance, has an advanced search feature that allows users to filter results by file type. By specifying the file type as "PDF," users can find websites that offer free PDF downloads on a specific topic. While downloading Hyster Forklift Parts User Manual Manual free PDF files is convenient, its important to note that copyright laws must be respected. Always ensure that

the PDF files you download are legally available for free. Many authors and publishers voluntarily provide free PDF versions of their work, but its essential to be cautious and verify the authenticity of the source before downloading Hyster Forklift Parts User Manual Manual. In conclusion, the internet offers numerous platforms and websites that allow users to download free PDF files legally. Whether its classic literature, research papers, or magazines, there is something for everyone. The platforms mentioned in this article, such as Project Gutenberg, Open Library, Academia.edu, and Issuu, provide access to a vast collection of PDF files. However, users should always be cautious and verify the legality of the source before downloading Hyster Forklift Parts User Manual Manual any PDF files. With these platforms, the world of PDF downloads is just a click away.

### **FAQs About Hyster Forklift Parts User Manual Manual Books**

**What is a Hyster Forklift Parts User Manual Manual PDF?** A PDF (Portable Document Format) is a file format developed by Adobe that preserves the layout and formatting of a document, regardless of the software, hardware, or operating system used to view or print it. **How do I create a Hyster Forklift Parts User Manual Manual PDF?** There are several ways to create a PDF: Use software like Adobe Acrobat, Microsoft Word, or Google Docs, which often have built-in PDF creation tools. Print to PDF: Many applications and operating systems have a "Print to PDF" option that allows you to save a document as a PDF file instead of printing it on paper. Online converters: There are various online tools that can convert different file types to PDF. **How do I edit a Hyster Forklift Parts User Manual Manual PDF?** Editing a PDF can be done with software like Adobe Acrobat, which allows direct editing of text, images, and other elements within the PDF. Some free tools, like PDFescape or Smallpdf, also offer basic editing capabilities. **How do I convert a Hyster Forklift Parts User Manual Manual PDF to another file format?** There are multiple ways to convert a PDF to another format: Use online converters like Smallpdf, Zamzar, or Adobe Acrobats export feature to convert PDFs to formats like Word, Excel, JPEG, etc. Software like Adobe Acrobat, Microsoft Word, or other PDF editors may have options to export or save PDFs in different formats. **How do I password-protect a Hyster Forklift Parts User Manual Manual PDF?** Most PDF editing software allows you to add password protection. In Adobe Acrobat, for instance, you can go to "File" -> "Properties" -> "Security" to set a password to restrict access or editing capabilities. Are there any free alternatives to Adobe Acrobat for working with PDFs? Yes, there are many free alternatives for working with PDFs, such as: LibreOffice: Offers PDF editing features. PDFsam: Allows splitting, merging, and editing PDFs. Foxit Reader: Provides basic PDF viewing and editing capabilities. How do I compress a PDF file? You can use online tools like Smallpdf, ILovePDF, or desktop software like Adobe Acrobat to compress PDF files without significant quality loss. Compression reduces the file size, making it easier to share

and download. Can I fill out forms in a PDF file? Yes, most PDF viewers/editors like Adobe Acrobat, Preview (on Mac), or various online tools allow you to fill out forms in PDF files by selecting text fields and entering information. Are there any restrictions when working with PDFs? Some PDFs might have restrictions set by their creator, such as password protection, editing restrictions, or print restrictions. Breaking these restrictions might require specific software or tools, which may or may not be legal depending on the circumstances and local laws.

### **Find Hyster Forklift Parts User Manual Manual :**

[murcury sable steering colum manual](#)

**mumbo jumbo a novel english edition**

[multiple questions on chemical equilibrium](#)

**music curriculum for elementary school orff**

~~murder in the mystery suite book retreat mystery book 1~~

**murder in the river city english edition**

~~mustang restoration parts user manual~~

**mv agusta f4 service manual**

[mustang eec pinout 1991 wiring](#)

*murder at cape three points a darko dawson mystery*

*my billionaire boss loves my curves bbw billionaire erotica*

[mustang wiring harness connector diagram](#)

**music reading skills for mandolin complete levels 1 3**

*multiply monomials key*

**muscular system labeling diagram**

### **Hyster Forklift Parts User Manual Manual :**

**read free unique global imports manual simulation answers** - May 11 2023

web mar 20 2023 unique global imports manual simulation answers is simple in our digital library an online entrance to it is set as public therefore you can download it instantly

[universal import guide doppler](#) - Oct 24 2021

web universal import universal import is used to push secrets directly to engineering services and production infrastructure



with the click of a button users are able to import secrets

[accounting unique global imports answers fill out sign online](#) - Feb 08 2023

web edit unique global imports accounting answer key effortlessly add and underline text insert pictures checkmarks and signs drop new fillable fields and rearrange or remove

[\*unique global imports manual simulation key answers pdf\*](#) - Jul 13 2023

web jul 8 2023 unique global imports manual simulation key answers 1 11 downloaded from uniport edu ng on july 8 2023 by guest unique global imports manual

**unique global imports manual simulation answer key** - May 31 2022

web unique global imports manual simulation answer key 3590467d8504a8acf1f66fb71a3e491a today we coming again the supplementary

[\*unique global imports simulation helpful hints loudoun county\*](#) - Sep 15 2023

web unique global imports simulation helpful hints whew you are done congratulations the final exam is an audit test of the simulation

**unique global imports manual simulation answers** - Apr 29 2022

web unique global imports manual simulation answers to build test and package software cmake is used to control the software compilation process using simple platform and

[unique global imports manual simulation answers copy](#) - Jan 27 2022

web unique global imports manual simulation answers 1 unique global imports manual simulation answers unique global imports century 21 accounting development of

**unique global imports manual simulation key download** - Dec 26 2021

web oct 8 2012 unique global imports manual simulation key download 17k 8 302 items a collection of manuals and instructions related to firearms handheld weapons

[\*unique global imports manual simulation answer key\*](#) - Jul 01 2022

web mar 31 2023 answer key getting the books unique global imports manual simulation answer key now is not type of challenging means you could not abandoned going

**unique global imports manual simulation answers pdf** - Mar 09 2023

web unique global imports manual simulation answers right here we have countless book unique global imports manual simulation answers and collections to check out we

**unique global imports manual simulation answer key** - Mar 29 2022

web thank you categorically much for downloading unique global imports manual simulation answer key maybe you have

knowledge that people have look numerous time for their

**get unique global imports accounting answer key us legal** - Jan 07 2023

web comply with our easy steps to have your unique global imports accounting answer key ready rapidly find the web sample in the library complete all required information in the

unique global imports manual simulation key answers pdf gccca - Aug 14 2023

web unique global imports manual simulation key answers pdf is available in our book collection an online access to it is set as public so you can get it instantly our books

*unique global imports manual simulation key answers* - Nov 05 2022

web found so far is in the user s manuals of various software products acquisition of building geometry in the simulation of energy performance may 20 2021 building geometry is

**unique global imports manual simulation key answers** - Feb 25 2022

web unique global imports manual simulation key answers 3590467d8504a8acf1f66fb71a3e491a why you need to wait for some days to acquire or

unique global imports manual simulation key answers - Dec 06 2022

web may 22 2023 right here we have countless ebook unique global imports manual simulation key answers and collections to check out we additionally allow variant

unique global imports manual simulation answers download - Sep 03 2022

web dec 10 2022 unique global imports manual simulation answers 1 4 downloaded from ads independent com on december 10 2022 by guest unique global imports manual

unique global imports manual simulation answers pdf gccca - Jun 12 2023

web mar 24 2023 global imports manual simulation answers pdf as one of the most functional sellers here will totally be in the middle of the best options to review official

*read online unique global imports manual simulation answer* - Apr 10 2023

web read online unique global imports manual simulation answer key free download pdf guide for import of goods access2markets europa import and export manuals logistics

**unique global imports manual simulation key answers pdf** - Aug 02 2022

web unique global imports manual simulation key answers 1 10 downloaded from uniport edu ng on august 28 2022 by guest unique global imports manual

**generic and universal import codecademy** - Nov 24 2021

web permalink they are different generic you have to type e g math in front of your function every single time you use it

universal you don't have to type e.g. math in front of the

*unique global imports manual simulation key answers copy* - Oct 04 2022

web this extraordinary book aptly titled unique global imports manual simulation key answers written by a very acclaimed author immerses readers in a captivating

*vagina tattoo photos on flickr flickr* - Aug 21 2023

web for woman this product contains tattoo for classic avatar and tattoo layers for body and head bakes on mesh in 4 tone dark 100 medium 75 light 50 and

genital piercing wikipedia - Nov 12 2022

web genital piercing is a form of body piercing that involves piercing a part of the genitalia thus creating a suitable place for wearing different types of jewellery nevertheless the term

**tattoos on pubic area female gallery bk swordsswords** - Mar 04 2022

web tattoo special edition no matter what kind of tattoos you love tattoos you will find some fantastic tattoo ideas like the girl with the dragon tattoo featuring hot sexy

*i have the most tattooed privates in the world it hurts but i m* - May 18 2023

web andrew court published aug 4 2022 11:34 a.m. et 0 of 30 seconds volume 0 00 02 00 30 more on tattoos she's inked a new record a british onlyfans star says she has

**22 amazing feminine pelvic tattoo ideas to inspire you on 2023** - Sep 22 2023

web this blog post aims to offer a rich array of ideas for those considering pelvic tattoos emphasizing female-centric themes and design considerations our journey together will

**genital female tattoo factory** - Dec 13 2022

web 189059424 you must be at least 21 years old to enter sign nhe christina 4441 north broadway chicago il 60640

tattoos on pubic area female gallery copy uniport edu - Dec 01 2021

web tattoos on pubic area female gallery 2 13 downloaded from uniport.edu.ng on april 2 2023 by guest nationalism the inner group must decide just where its loyalties lie to the

tattoos on pubic area female gallery 2022 old talentsprint - Jul 08 2022

web vanquish tattoo september 2021 julia tomskih the world of tattoo beat till stiff a woman's recipe for living tattoos on pubic area female gallery downloaded from

*tattoos on pubic area female gallery uniport edu* - Jan 02 2022

web tattoos on pubic area female gallery 2 14 downloaded from uniport.edu.ng on june 26 2023 by guest edition our new fitness magazine range has just recently launched

**pussy tattoo funpic hu** - Sep 10 2022

web title pussy tattoo author z3piq category adult tags cat tattoo kitten pussy vagina send comments 0 butterfly on vagina 411974 19 share slut tattoo 253226 13 share

*100 crotch tattoo ideas that will make you gulp nsfw* - Oct 23 2023

web groin tattoo ideas can represent various things here are some of the more common crotch tattoo meanings that people often choose when they get a tattoo on their groin area

*12 feminine pelvic tattoo ideas that will blow your mind* - Jul 20 2023

web 12 feminine pelvic tattoo ideas that will blow your mind written by tori jones 13 february 2023 table of contents hey there are you on the hunt for some unique and

*tattoos in the pubis for women we answer all your doubts* - Mar 16 2023

web it will always be my own and respectable choice although tattoos can have a lot of symbolism and various meanings the tattoo on the pubis is related to sensuality and

tattoos on pubic area female gallery thegreenroute - Feb 03 2022

web tattoos on pubic area female gallery 3 3 dedicated to tattooing such as television shows movies magazines websites and books and the popular conventions

tattoos on pubic area female gallery copy ftp vape mexico - Apr 05 2022

web tattoos on pubic area female gallery frequently asked questions about body piercing and tattooing she speaks her anger myths and conversations of gimi women the

**top 106 pubic area tattoo designs spcminer com** - Jun 19 2023

web top 106 pubic area tattoo designs by bhavin patel march 7 2023 pubic area tattoo designs behind each tattoo they always hide a meaning or story the message they

*tattoos on pubic area female gallery pdf design bluesquare* - Aug 09 2022

web tattoos on pubic area female gallery cliffstestprep nclex pn she speaks her anger myths and conversations of gimi women vanquish tattoo january 2021

**pelvic tattoo designs 14 trendy collections design press** - Apr 17 2023

web 14 trendy pelvic tattoo designs february 7 2017 0 5859 though it is a rather area is a rather painful area to get inked many women prefer pelvic tattoos and whether this is

genital tattooing wikipedia - Jan 14 2023

web as any other forms of tattoos the choice may be decorative and genital tattoo designs have been created to decoratively imitate pubic hair to enhance the appearance of the

**genital tattoos images for women archives tattoo guide** - Oct 11 2022

web list of all genital tattoos images for women posts guides tricks at tattoo guide magazine numéro 1 des tatouages en ligne idées inspirations tendances

**tattoos on pubic area female gallery full pdf ai classmonitor** - Jun 07 2022

web 6 tattoos on pubic area female gallery 2022 05 16 publishing the second part of history and meanings of tattoo motifs

**genital tattoos tattoofilter** - Feb 15 2023

web genital tattoos that you can filter by subject matter style technique and size and order by date or score share share

**tattoos on pubic area mybooklibrary com fliphtml5** - May 06 2022

web check pages 1 7 of tattoos on pubic area mybooklibrary com in the flip pdf version tattoos on pubic area mybooklibrary com was published by on 2015 07 27 find

**understanding and crafting the mix the art of recording** - Oct 06 2022

web oct 29 2014 understanding and crafting the mix the art of recording moylan william 9780415842815 amazon com books books engineering transportation engineering buy new 39 95 list price 56 95 save 17 00 30 3 99 delivery may 30 31 details or fastest delivery may 24 30 details select delivery location only 1 left in

***understanding and crafting the mix the art of recording*** - Apr 12 2023

web the art of recording understanding and crafting the mix c2002 includes bibliographical references p 380 386 and index includes discography p 387 388 access restricted item true addeddate 2020 02 20 06 01 13 associated names moylan william

**understanding and crafting the mix the art of recording** - May 13 2023

web understanding and crafting the mix 3 rd edition provides the framework to identify evaluate and shape your recordings with clear and systematic methods featuring numerous exercises this third edition allows you to develop critical listening and analytical skills to gain greater control over the quality of your recordings

**the art of recording understanding and crafting t vincent** - Dec 28 2021

web the art of recording understanding and crafting t recognizing the mannerism ways to acquire this ebook the art of recording understanding and crafting t is additionally useful you have remained in right site to begin getting this info acquire the the art of recording understanding and crafting t

**understanding and crafting the mix the art of recording** - Aug 16 2023

web nov 3 2014 the art of recording by william moylan edition 3rd edition first published 2014 ebook published 3 november 2014 pub location new york imprint routledge doi doi org 10 4324 9780203758410 pages 518 ebook isbn 9780203758410 subjects arts share citation abstract

**understanding and crafting the mix sciencedirect** - Mar 31 2022

web part one defining the art of recording the sound characteristics and aesthetic qualities of audio recordings part two understanding the mix developing listening and sound evaluation skills part three crafting the mix shaping music and sound and controlling the recording process select glossary book chapter full text access glossary

[understanding and crafting the mix the art of recording](#) - May 01 2022

web jan 12 2007 understanding and crafting the mix the art of recording 39 99 in stock understanding and crafting the mix gives you clear and systematic methods for identifying evaluating and shaping the artistic elements in music and audio recording

**the art of recording understanding and crafting the mix** - Aug 04 2022

web apr 18 2002 the art of recording articulates and explores the ways recorded sound is different from live sound and how those differences can enhance music including surround sound it presents a system for developing the critical and analytical listening skills necessary to recognize and understand these sound characteristics the same skills

**the art of recording understanding and crafting the mix** - Jun 14 2023

web nov 12 2012 it presents a system for developing the critical and analytical listening skills necessary to recognize and understand these sound characteristics the same skills necessary to create quality

*the art of recording understanding and crafting the mix* - Jul 15 2023

web it presents a system for developing the critical and analytical listening skills necessary to recognize and understand these sound characteristics the same skills necessary to create quality

**understanding and crafting the mix the art of recording goodreads** - Jan 29 2022

web jan 1 2006 understanding and crafting the mix offers systematic methods for identifying evaluating and shaping the artistic elements in music and audio recording this book helps you to develop critical listening and evaluating skills and gain greater control over the quality of your recordings

*understanding and crafting the mix the art of recording* - Sep 05 2022

web jun 20 2014 understanding and crafting the mix gives you clear and systematic methods for identifying evaluating and shaping the artistic elements in music and audio recording the exercises throughout help you to develop critical listening and evaluating skills and gain greater control over the quality of your recordings

**understanding and crafting the mix the art of recording** - Nov 07 2022

web understanding and crafting the mix the art of recording moylan william amazon com tr kitap

[the art of recording understanding and crafting the mix](#) - Mar 11 2023

web may 17 2002 abstract the art of recording articulates and explores the ways recorded sound is different from live sound and how those differences can enhance music including surround sound

**pdf understanding and crafting the mix by william moylan** - Feb 27 2022

web the art of recording william moylan book details book preview table of contents citations about this book understanding and crafting the mix 3 rd edition provides the framework to identify evaluate and shape your recordings with clear and

understanding and crafting the mix the art of recording moylan - Jan 09 2023

web understanding and crafting the mix the art of recording moylan william amazon com tr

understanding and tsuull - Jun 02 2022

web understanding and crafting the mix the art of recording william moylan amsterdam boston heidleberg london

understanding and crafting the mix the art of recording william moylan p cm includes bibliographical references and index isbn 13 978 0 240 80755 3 pbk alk paper

the art of recording understanding and crafting the mix - Dec 08 2022

web apr 15 2002 understanding and crafting the mix the art of recording 44 43 22 in stock the art of recording articulates and explores the ways recorded sound is different from live sound and how those differences can enhance music including surround sound

understanding and crafting the mix the art of recording - Jul 03 2022

web understanding and crafting the mix 3rd edition provides the framework to identify evaluate and shape your recordings with clear and systematic methods featuring numerous exercises this third edition allows you to develop critical listening and analytical skills to gain greater control over the quality of your recordings sample production

**understanding and crafting the mix the art of recording** - Feb 10 2023

web understanding and crafting the mix gives you clear and systematic methods for identifying evaluating and shaping the artistic elements in music and audio recording the exercises throughout