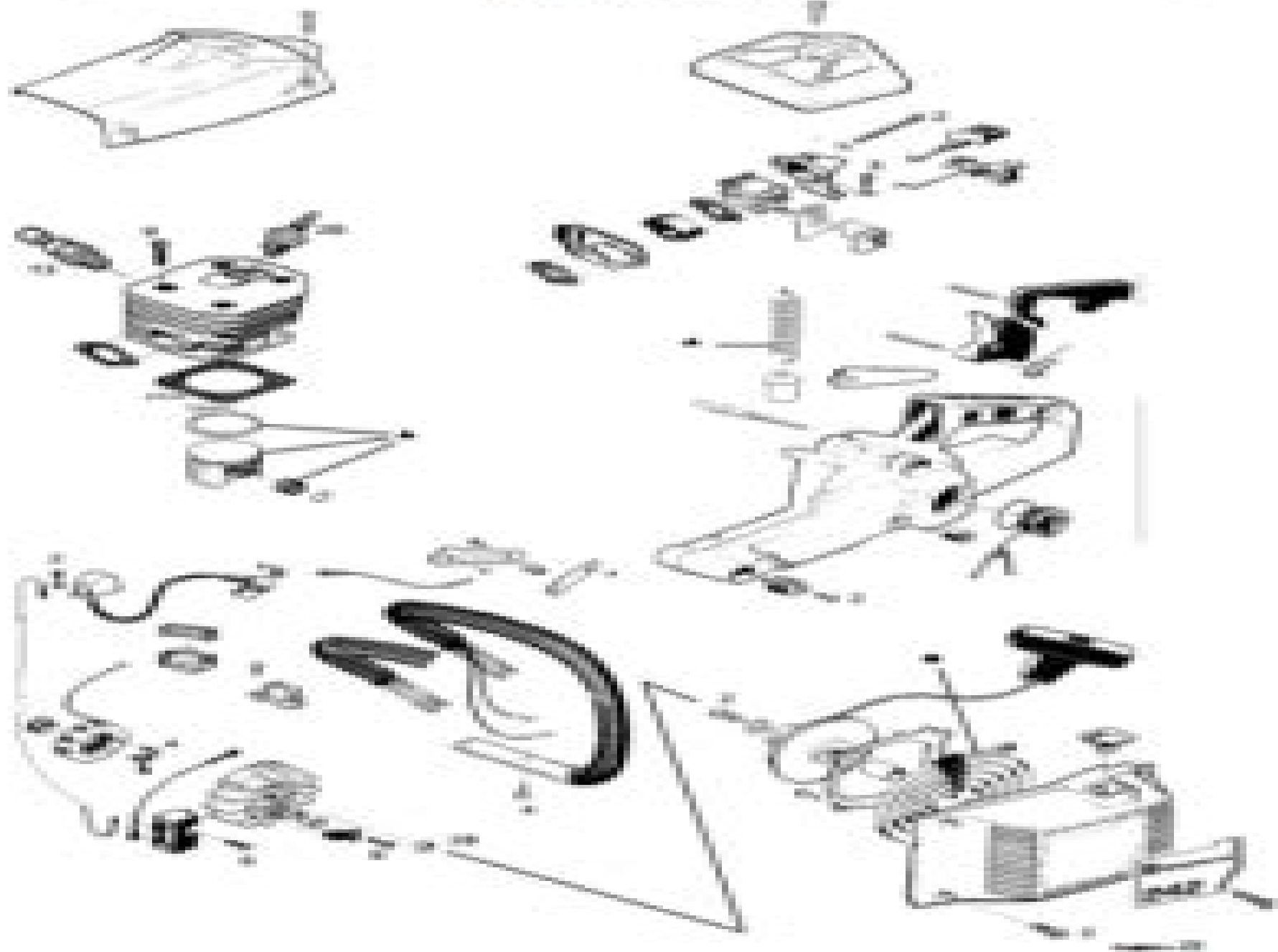


SERVICE DATA



Husqvarna Workshop Manual Chainsaw

Didier Musso



Husqvarna Workshop Manual Chainsaw:

Uncover the mysteries within Crafted by is enigmatic creation, Discover the Intrigue in **Husqvarna Workshop Manual Chainsaw** . This downloadable ebook, shrouded in suspense, is available in a PDF format (Download in PDF: *). Dive into a world of uncertainty and anticipation. Download now to unravel the secrets hidden within the pages.

https://staging.conocer.cide.edu/public/publication/index.jsp/from_the_command_economy_to_the_market_a_collection_of_interviews.pdf

Table of Contents Husqvarna Workshop Manual Chainsaw

1. Understanding the eBook Husqvarna Workshop Manual Chainsaw
 - The Rise of Digital Reading Husqvarna Workshop Manual Chainsaw
 - Advantages of eBooks Over Traditional Books
2. Identifying Husqvarna Workshop Manual Chainsaw
 - Exploring Different Genres
 - Considering Fiction vs. Non-Fiction
 - Determining Your Reading Goals
3. Choosing the Right eBook Platform
 - Popular eBook Platforms
 - Features to Look for in an Husqvarna Workshop Manual Chainsaw
 - User-Friendly Interface
4. Exploring eBook Recommendations from Husqvarna Workshop Manual Chainsaw
 - Personalized Recommendations
 - Husqvarna Workshop Manual Chainsaw User Reviews and Ratings
 - Husqvarna Workshop Manual Chainsaw and Bestseller Lists
5. Accessing Husqvarna Workshop Manual Chainsaw Free and Paid eBooks
 - Husqvarna Workshop Manual Chainsaw Public Domain eBooks
 - Husqvarna Workshop Manual Chainsaw eBook Subscription Services
 - Husqvarna Workshop Manual Chainsaw Budget-Friendly Options

6. Navigating Husqvarna Workshop Manual Chainsaw eBook Formats
 - ePub, PDF, MOBI, and More
 - Husqvarna Workshop Manual Chainsaw Compatibility with Devices
 - Husqvarna Workshop Manual Chainsaw Enhanced eBook Features
7. Enhancing Your Reading Experience
 - Adjustable Fonts and Text Sizes of Husqvarna Workshop Manual Chainsaw
 - Highlighting and Note-Taking Husqvarna Workshop Manual Chainsaw
 - Interactive Elements Husqvarna Workshop Manual Chainsaw
8. Staying Engaged with Husqvarna Workshop Manual Chainsaw
 - Joining Online Reading Communities
 - Participating in Virtual Book Clubs
 - Following Authors and Publishers Husqvarna Workshop Manual Chainsaw
9. Balancing eBooks and Physical Books Husqvarna Workshop Manual Chainsaw
 - Benefits of a Digital Library
 - Creating a Diverse Reading Collection Husqvarna Workshop Manual Chainsaw
10. Overcoming Reading Challenges
 - Dealing with Digital Eye Strain
 - Minimizing Distractions
 - Managing Screen Time
11. Cultivating a Reading Routine Husqvarna Workshop Manual Chainsaw
 - Setting Reading Goals Husqvarna Workshop Manual Chainsaw
 - Carving Out Dedicated Reading Time
12. Sourcing Reliable Information of Husqvarna Workshop Manual Chainsaw
 - Fact-Checking eBook Content of Husqvarna Workshop Manual Chainsaw
 - Distinguishing Credible Sources
13. Promoting Lifelong Learning
 - Utilizing eBooks for Skill Development
 - Exploring Educational eBooks
14. Embracing eBook Trends
 - Integration of Multimedia Elements

- Interactive and Gamified eBooks

Husqvarna Workshop Manual Chainsaw Introduction

In today's digital age, the availability of Husqvarna Workshop Manual Chainsaw books and manuals for download has revolutionized the way we access information. Gone are the days of physically flipping through pages and carrying heavy textbooks or manuals. With just a few clicks, we can now access a wealth of knowledge from the comfort of our own homes or on the go. This article will explore the advantages of Husqvarna Workshop Manual Chainsaw books and manuals for download, along with some popular platforms that offer these resources. One of the significant advantages of Husqvarna Workshop Manual Chainsaw books and manuals for download is the cost-saving aspect. Traditional books and manuals can be costly, especially if you need to purchase several of them for educational or professional purposes. By accessing Husqvarna Workshop Manual Chainsaw versions, you eliminate the need to spend money on physical copies. This not only saves you money but also reduces the environmental impact associated with book production and transportation. Furthermore, Husqvarna Workshop Manual Chainsaw books and manuals for download are incredibly convenient. With just a computer or smartphone and an internet connection, you can access a vast library of resources on any subject imaginable. Whether you're a student looking for textbooks, a professional seeking industry-specific manuals, or someone interested in self-improvement, these digital resources provide an efficient and accessible means of acquiring knowledge. Moreover, PDF books and manuals offer a range of benefits compared to other digital formats. PDF files are designed to retain their formatting regardless of the device used to open them. This ensures that the content appears exactly as intended by the author, with no loss of formatting or missing graphics. Additionally, PDF files can be easily annotated, bookmarked, and searched for specific terms, making them highly practical for studying or referencing. When it comes to accessing Husqvarna Workshop Manual Chainsaw books and manuals, several platforms offer an extensive collection of resources. One such platform is Project Gutenberg, a nonprofit organization that provides over 60,000 free eBooks. These books are primarily in the public domain, meaning they can be freely distributed and downloaded. Project Gutenberg offers a wide range of classic literature, making it an excellent resource for literature enthusiasts. Another popular platform for Husqvarna Workshop Manual Chainsaw books and manuals is Open Library. Open Library is an initiative of the Internet Archive, a non-profit organization dedicated to digitizing cultural artifacts and making them accessible to the public. Open Library hosts millions of books, including both public domain works and contemporary titles. It also allows users to borrow digital copies of certain books for a limited period, similar to a library lending system. Additionally, many universities and educational institutions have their own digital libraries that provide free access to PDF books and manuals. These libraries often offer academic texts, research papers, and technical manuals, making them invaluable resources for students and researchers. Some notable

examples include MIT OpenCourseWare, which offers free access to course materials from the Massachusetts Institute of Technology, and the Digital Public Library of America, which provides a vast collection of digitized books and historical documents. In conclusion, Husqvarna Workshop Manual Chainsaw books and manuals for download have transformed the way we access information. They provide a cost-effective and convenient means of acquiring knowledge, offering the ability to access a vast library of resources at our fingertips. With platforms like Project Gutenberg, Open Library, and various digital libraries offered by educational institutions, we have access to an ever-expanding collection of books and manuals. Whether for educational, professional, or personal purposes, these digital resources serve as valuable tools for continuous learning and self-improvement. So why not take advantage of the vast world of Husqvarna Workshop Manual Chainsaw books and manuals for download and embark on your journey of knowledge?

FAQs About Husqvarna Workshop Manual Chainsaw Books

How do I know which eBook platform is the best for me? Finding the best eBook platform depends on your reading preferences and device compatibility. Research different platforms, read user reviews, and explore their features before making a choice. Are free eBooks of good quality? Yes, many reputable platforms offer high-quality free eBooks, including classics and public domain works. However, make sure to verify the source to ensure the eBook credibility. Can I read eBooks without an eReader? Absolutely! Most eBook platforms offer web-based readers or mobile apps that allow you to read eBooks on your computer, tablet, or smartphone. How do I avoid digital eye strain while reading eBooks? To prevent digital eye strain, take regular breaks, adjust the font size and background color, and ensure proper lighting while reading eBooks. What the advantage of interactive eBooks? Interactive eBooks incorporate multimedia elements, quizzes, and activities, enhancing the reader engagement and providing a more immersive learning experience. Husqvarna Workshop Manual Chainsaw is one of the best book in our library for free trial. We provide copy of Husqvarna Workshop Manual Chainsaw in digital format, so the resources that you find are reliable. There are also many Ebooks of related with Husqvarna Workshop Manual Chainsaw. Where to download Husqvarna Workshop Manual Chainsaw online for free? Are you looking for Husqvarna Workshop Manual Chainsaw PDF? This is definitely going to save you time and cash in something you should think about.

Find Husqvarna Workshop Manual Chainsaw :

from the command economy to the market a collection of interviews

from sex to superconsciousness

from the fifteenth district

from where the sun now stands the nez perce tragedy

from syria

from sundown to sunup

from the prairies with hope

~~from reading to neurons.~~

frommers city las vegas 1995

from tent to white house

from russia with tough love pavels kettlebell workout for a femme fatale

front-page women journalists 1920-1950 women in the west series

from the dreaming dreaming stories from aboriginal australia

from where you dream

from the holy mountain a journey among the christians of the middle east

Husqvarna Workshop Manual Chainsaw :

bernina sticksoftware version 7 designerplus bernina - May 12 2023

web mit dem neuesten versionsupdate v7 0t wird ihre sticksoftware unter windows 10 teilweise lauffähig die funktionalität der sticksoftware unter windows 10 kann nicht garantiert werden da corel draw x6 vom hersteller unter windows 10 nicht mehr unterstützt wird

bernina embroidery software 9 help - Jan 28 2022

web include all words in search language english english deutsch Русский deutsch Русский

bernina sticksoftware v7 archive bernina blog - Mar 30 2022

web bernina v7 punching mit der stickmaschine und ein freebie applizieren mit der stickmaschine mit gratis ebook smartphone hülle sticken und nähen

bernina embroidery software designer plus version 7 install - Aug 03 2022

web sep 24 2013 in this video clint seeley installs a dealer copy of bernina embroidery software designer plus version 7 on my laptop computer this is not intended to be a

bernina embroidery software v7 includes coreldraw essentials - Oct 05 2022

web jun 22 2016 bernina embroidery software v7 includes coreldraw essentials and it will not install due to error 1706 i

have been trying to install my bernina embroidery software which comes with coreldraw essentials x 6 the embroideru software installs to windows 10 fine but not the coreldraw part of the software

bernina artlink 7 free download windows - Jan 08 2023

web download 4 5 on 11 votes artlink 6 is an embroidery application that you can add to your bernina sewing and embroidery system bernina embroidery software download 3 6 on 11 votes bernina embroidery software is a program that allows you to combine import or make your own custom designs

bernina embroidery software 7 getting started how to edit an - Apr 11 2023

web oct 1 2013 140 59k views 9 years ago bernina embroidery software 7 tutorial videos enjoy embroidery software on a whole new level with the innovative features of bernina embroidery software 7 and it s

bernina embroidery software 7 designerplus bernina - Dec 27 2021

web with bernina embroidery software 7 enhance your creativity with the power of coreldraw essentials x6 apply special effects to artwork add text shapes freehand draw elements or trace bitmaps for unique multimedia projects

bernina embroidery software designerplus v7 first look - Feb 09 2023

web in this video we take a first look at the bernina embroidery software designerplus v7 we take a quick look at the new gui and then clint discovers something

artlink embroidery software for free download bernina - Jun 13 2023

web the bernina artlink 7 embroidery software s redraw function displays the stitching sequence on your pc screen enabling you to review the embroidery process before the first stitch is made this practical tool lets you alter and correct the stitching sequence before embroidering out your project helping you avoid mistakes and ensuring

bernina embroidery software 7 designerplus cracked version - Apr 30 2022

web bernina embroidery software 7 now windows 10 compatible with the newest version update v7 0t your embroidery software becomes windows 10 compatible the function of the automatic fabric settings auto fabrics has been extended and can now be manually activated or deactivated

bernina embroidery software 7 explaining fundamentals of bernina - Jun 01 2022

web oct 15 2014 7 9k views 8 years ago schoolofdigitizing com udemy bernina embroidery software 7 now on udemy learning platform bernina software 7 click here to save 16 and get this class for only 5

v7 0r update support bernina - Mar 10 2023

web der bernina embroidery software v7 0r zu installieren in windows 7 wird die installation der vollversion dann empfohlen wenn das automatische update nicht installiert werden kann

v7 0r güncelleme destek bernina - Jul 14 2023

web bernina nakış yazılım 8 8 1 10 windows altında sadece usb dongle ile v7 0r tam sürüm yüklemek önerilir mac desteklenen bernina nakış yazılım v7 boot camp 4 ve windows 7 ile birlikte mac desteklenmektedir 32 bit veya 64 bit

bernina embroidery software free version download for pc - Nov 06 2022

web jul 8 2010 bernina embroidery software is a program that allows you to combine import or make your own custom designs it provides a range of 3d effects for unique surface embellishments like stumpwork or trapunto it also comes with and editorplus that allows you to perform adjustments to your designs

lesson 1 bernina embroidery software v8 the beginning - Feb 26 2022

web apr 15 2019 the first day of my adventure with the bernina embroidery software 8 designerplus v8 i already had a fascination for machine embroidery and now i was able to create edit and design my own motifs even more exciting was that bernina asked me to write for their dutch blog to help users understand the software too

bernina embroidery software 7 tool tip portfolio youtube - Sep 04 2022

web see how to use the portfolio feature of bernina embroidery software 7 for batch design conversions

v7 0r update support bernina - Aug 15 2023

web open your bernina embroidery software 7 as usual with active internet connection as soon as a new service pack is available you are asked to install the new version if this does not happen you can download the fullversion of v7 0r who does include the service pack and install it manually

bernina embroidery software 9 update designerplus - Dec 07 2022

web the update to bernina embroidery software 9 if you already own bernina embroidery software designerplus v6 v7 or v8 update designerplus v9 send designs directly to the machine with wifi functionality wireless transfer of embroidery designs so simple

bernina embroidery software 7 tutorial videos youtube - Jul 02 2022

web nov 8 2016 get creative turning embroidery dreams into reality with great new three dimensional 3d features like punchwork stumpwork trapunto and raised satin the

microsoft access sample database accessimagine - Apr 03 2022

microsoft access sample database 11 comments download this tiny database to test extended imaging capabilities techniques demonstrated here thumbnails generation continuous forms with pictures on demand accessimagine installation instructing user how to turn active content on managing pics in net vb c c july 5 2009 in tutorials

access database github topics github - Mar 14 2023

aug 11 2023 access projects access examples star 69 code issues pull requests various examples of vba queries macros forms reports and ribbon xml in an microsoft access database file macros access dao vba visualbasic ms access microsoft

access access database frm rpt qry updated mar 29 2019 visual basic semnan
downloadable microsoft access database examples and - Jul 18 2023

database solutions downloads for microsoft access free downloadable microsoft access 97 2000 xp and 2003 database files
and sample database examples for you to use in your own microsoft access database projects
use the students access database template microsoft support - Apr 15 2023

use the access student database template to keep track of information about your students including emergency contacts
medical information and information about their guardians you can also search and filter students track student attendance
show or hide columns and map student addresses
microsoft access projects github - Feb 13 2023

mar 28 2019 repositories access examples public various examples of vba queries macros forms reports and ribbon xml in
an microsoft access database file visual basic 69 mit 24 0 0 updated on mar 28 2019 these are various solutions for microsoft
access microsoft access projects has one repository available follow their code on github

[samples of microsoft access databases access examples](#) - Aug 07 2022

samples recent here are some screenshots from one of our crm templates see products for more info if you have a question
about what kinds of functionality we can incorporate into a custom database feel free to contact us
[22 free access database template](#) - Dec 11 2022

exude credibility with your database with a free download of our ms access database templates any student or employee can
avail themselves of examples in the microsoft format create a membership project contact and another database document
with our content samples

use the projects access database template microsoft support - Jun 17 2023

use the access project management database to manage projects and their associated tasks and employees you can also
search and filter project details enter common tasks and send or receive data via e mail messages

microsoft ms access database project ideas lovelycoding org - Oct 09 2022

i am writing this post to give you some nice ideas about database projects in ms access you can pick one as your ms access
database project if you have some more ideas post them in a comment i will publish them in my next post

featured access templates microsoft support - Aug 19 2023

this sample database template demonstrates how access can manage small business customers orders inventory purchasing
suppliers shipping and employees the database can generate 15 different reports and is a great showcase

how to create your own database to practice sql - Feb 01 2022

oct 17 2023 step 2 create a sql database in the top toolbar click on help and then create sample database you then see a

prompt asking if you would like to create a sample database click yes you should now see a sample database listed under your connections under the database navigator panel

ms access projects 1000 projects - May 04 2022

sep 9 2022 ms access projects listed here are for computer science final year students ms access is used for back end application as database for storing data ms access projects database is used for vb net c projects download full

121 microsoft access databases and templates with free - Sep 20 2023

oct 18 2023 october 2023 access templates com you can download various access databases and templates for microsoft access software get ms access template samples for small business company non profit education organization and student *microsoft access template databases full source code* - Jul 06 2022

sample templates for your microsoft access database winning solutions inc wsi has developed hundreds of databases throughout our history as a result of wsi s detailed knowledge of databases we can assist in regards to developing databases or

download 06 access databases about project updated - Nov 10 2022

download project related access database programs and templates for microsoft access 2007 2010 2013 or 2016 software project access database project microsoft access templates and examples of project for ms access these ms access database templates can be used for small business non profit organization student or personal use

how to create a database in microsoft access a step by step - Jan 12 2023

dec 8 2021 microsoft access is a gui based front end database app that brings the power of software development tools and microsoft jet database engine in one no code and low code platform therefore creating a relational database in access is a breeze this article will show you the simple steps to create a desktop based access database using a template

create a database in access microsoft support - Sep 08 2022

open access if access is already open select file new select blank database or select a template enter a name for the database select a location and then select create if needed select enable content in the yellow message bar when the database opens for more info see create a new database

sample access database with data encycloall - Jun 05 2022

universities around the world use access databases to manage their data the following links provide examples of these databases sample access database with data this database contains information on student records it can be used as a template for your own database project student record database access 2007 student record database

github access projects access examples a various - May 16 2023

mar 28 2019 various examples of vba queries macros forms reports and ribbon xml in an microsoft access database file

create an access project microsoft support - Mar 02 2022

this article provides a brief explanation of access projects tells you how access projects work in access 2007 and 2010 it also covers how to create a new access project in access 2007 and 2010 and how to connect an access project to an existing sql server database

download free sheet music and scores i the lord of sea and sky - Nov 06 2022

web download 1 free sheet music and scores in format pdf i the lord of sea and sky instruments ensembles opera composers performers sheet music pdf zip lyrics download free sheet music and scores i the lord of sea and sky sheet music original bach johann sebastian weihnachts oratorium bwv 248 complete oratorio

69 i the lord of sea and sky st james presbyterian church - May 12 2023

web lord lord lord of of of g leader or all œ œ wind snow sea and and and 1 rain sky am d œ œ œ œ œ j i i i will have have tend borne heard g c œ œ poor peo peo ple s ple g d œ œ œ œ œ j i i all will have who set wept dwell a for in g em œ œ j feast love dark for of and sin c œ œ œ œ my they

i the lord of sea and sky chords and lyrics christian web - Apr 30 2022

web easy to follow chords and lyrics for the hymn i the lord of sea and sky by daniel l schutte b 1947 transpose chords to any key

sheet music scores i the lord of sea and sky - Feb 09 2023

web sheet music scores i the lord of sea and sky sheet music 5 50 original here i am lord composed by daniel l schutte here i am lord the church loved it piano vocal translation i grew up with this song and i was thrilled to find it here and

the lord of sea sky brass band - Mar 30 2022

web lord of sea and sky brass band score only cordner martin daniel schutte s well known hymn i the lord of sea and sky provides the basis for this major four movement work by martin cordner the use of a four note motif emphasising the first line of the chorus here i am lord is evident throughout the work

i the lord of sea and sky with lyrics 4k youtube - Dec 27 2021

web sep 7 2020 i the lord of sea and sky is the official title to the beautiful song written by daniel l schutte that has been sung in churches around the world this is the best version i have heard of it

812 i the lord of sea and sky hymnary org - Dec 07 2022

web i the lord of sea and sky title i the lord of sea and sky author daniel l schutte refrain first line here i am lord language english publication date 1997 scripture

i the lord of sea and sky sheet music plus - Mar 10 2023

web print and download i the lord of sea and sky sheet music music notes for sheet music by dan schutte 1947 richard

campbell at sheet music plus a0 1208052

[here i am lord wikipedia](#) - Jul 02 2022

web here i am lord also known as i the lord of sea and sky after its opening line is a christian hymn written by the american composer of catholic liturgical music dan schutte in 1979 and published in 1981 its words are based on isaiah 6 8 and 1 samuel 3 4 it is published by ocp publications

documents i the lord of sea and sky sheet music anglican - Jun 13 2023

web education department church house 211 new church road hove bn3 4ed twitter

[i the lord of sea and sky sheet music for piano mixed trio](#) - Jul 14 2023

web jan 31 2021 download and print in pdf or midi free sheet music for i the lord of sea and sky by daniel l schutte arranged by rbln7731 for piano mixed trio

[i the lord of sea and sky here i am lord free music](#) - Aug 03 2022

web i the lord of sea and sky here i am lord quality music for congregational singing prepared by church musicians large range of public domain old traditional hymns and modern songs variety of musical styles all music free includes words and scores for public domain hymns

[here i am lord hymnary org](#) - Jan 08 2023

web i the lord of sea and sky author daniel l schutte 1981 tune here i am lord published in 62 hymnals audio files recording piano organ here i am lord choral here i am lord instrumental contemporary praise for c b flat instr representative text cannot be shown for this hymn due to copyright author daniel l

i the lord of sea and sky here i am lord youtube - Feb 26 2022

web jul 9 2020 388k views 3 years ago i the lord of sea and sky was written by daniel l schutte published in 1981 it is performed here by the arundel brighton diocesan singers more more

[i the lord of sea and sky hymn here i am lord phamox music](#) - Jun 01 2022

web here i am lord also known as i the lord of sea and sky is a popular catholic hymn penned by daniel schutte in 1981 the hymn s text is based on isaiah 6 8 and 1 samuel 3 and was published by oregon catholic press ocp publications

complete mission praise 857 i the lord of sea and sky - Sep 04 2022

web 857 i the lord of sea and sky here i am lord text information first line i the lord of sea and sky

[free i the lord of sea and sky by daniel l schutte sheet music](#) - Aug 15 2023

web free i the lord of sea and sky by daniel l schutte sheet music download pdf or print on musescore com time for summer time for music 90 off 06d 20h 51m 51s view offer

sheet music scores the lord of sea and sky - Jan 28 2022

web translation choir sheet music piano solo sheet music piano accompaniment sheet music mighty god holy god composed by cindy berry choir sacred

332 i the lord of sea and sky here i am lord hymnary org - Oct 05 2022

web i the lord of sea and sky title i the lord of sea and sky here i am lord author dan schutte refrain first line here i am lord meter 77 74 d and refrain language english publication date 2000 scripture

i the lord of sea and sky here i am lord piano ensemble 3 verses - Apr 11 2023

web apr 20 2018 all rights reserved i the lord of sea and sky free mp3 download click here to download please right click and save link if needed the music used in this recording is in copyright and a licence has been obtained to create it