

FELLA

Turbo-Scheibenmäher

Ersatzteilliste
Liste de Pièces de Rechange
Spare Parts List

SM 165

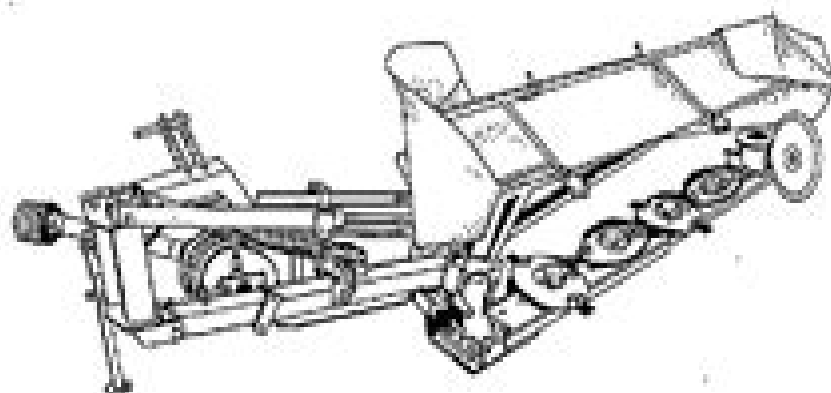
ab Masch.-Nr. 12079

SM 206

ab Masch.-Nr. 2076

SM 240

ab Masch.-Nr. 16227



Ausgabe - Edition - Edition

025/3

Fella Disc Mower Owners Manual

AW Rasmussen



Fella Disc Mower Owners Manual:

This book delves into Fella Disc Mower Owners Manual. Fella Disc Mower Owners Manual is an essential topic that needs to be grasped by everyone, from students and scholars to the general public. The book will furnish comprehensive and in-depth insights into Fella Disc Mower Owners Manual, encompassing both the fundamentals and more intricate discussions.

1. The book is structured into several chapters, namely:
 - Chapter 1: Introduction to Fella Disc Mower Owners Manual
 - Chapter 2: Essential Elements of Fella Disc Mower Owners Manual
 - Chapter 3: Fella Disc Mower Owners Manual in Everyday Life
 - Chapter 4: Fella Disc Mower Owners Manual in Specific Contexts
 - Chapter 5: Conclusion
2. In chapter 1, the author will provide an overview of Fella Disc Mower Owners Manual. The first chapter will explore what Fella Disc Mower Owners Manual is, why Fella Disc Mower Owners Manual is vital, and how to effectively learn about Fella Disc Mower Owners Manual.
3. In chapter 2, the author will delve into the foundational concepts of Fella Disc Mower Owners Manual. This chapter will elucidate the essential principles that must be understood to grasp Fella Disc Mower Owners Manual in its entirety.
4. In chapter 3, the author will examine the practical applications of Fella Disc Mower Owners Manual in daily life. This chapter will showcase real-world examples of how Fella Disc Mower Owners Manual can be effectively utilized in everyday scenarios.
5. In chapter 4, the author will scrutinize the relevance of Fella Disc Mower Owners Manual in specific contexts. This chapter will explore how Fella Disc Mower Owners Manual is applied in specialized fields, such as education, business, and technology.
6. In chapter 5, the author will draw a conclusion about Fella Disc Mower Owners Manual. This chapter will summarize the key points that have been discussed throughout the book.

The book is crafted in an easy-to-understand language and is complemented by engaging illustrations. This book is highly recommended for anyone seeking to gain a comprehensive understanding of Fella Disc Mower Owners Manual.

<https://staging.conocer.cide.edu/About/scholarship/default.aspx/Mercedes%20Benz%20116%20Repair%20Manual.pdf>

Table of Contents Fella Disc Mower Owners Manual

1. Understanding the eBook Fella Disc Mower Owners Manual
 - The Rise of Digital Reading Fella Disc Mower Owners Manual
 - Advantages of eBooks Over Traditional Books
2. Identifying Fella Disc Mower Owners Manual
 - Exploring Different Genres
 - Considering Fiction vs. Non-Fiction
 - Determining Your Reading Goals
3. Choosing the Right eBook Platform
 - Popular eBook Platforms
 - Features to Look for in an Fella Disc Mower Owners Manual
 - User-Friendly Interface
4. Exploring eBook Recommendations from Fella Disc Mower Owners Manual
 - Personalized Recommendations
 - Fella Disc Mower Owners Manual User Reviews and Ratings
 - Fella Disc Mower Owners Manual and Bestseller Lists
5. Accessing Fella Disc Mower Owners Manual Free and Paid eBooks
 - Fella Disc Mower Owners Manual Public Domain eBooks
 - Fella Disc Mower Owners Manual eBook Subscription Services
 - Fella Disc Mower Owners Manual Budget-Friendly Options
6. Navigating Fella Disc Mower Owners Manual eBook Formats
 - ePub, PDF, MOBI, and More
 - Fella Disc Mower Owners Manual Compatibility with Devices
 - Fella Disc Mower Owners Manual Enhanced eBook Features
7. Enhancing Your Reading Experience
 - Adjustable Fonts and Text Sizes of Fella Disc Mower Owners Manual
 - Highlighting and Note-Taking Fella Disc Mower Owners Manual
 - Interactive Elements Fella Disc Mower Owners Manual
8. Staying Engaged with Fella Disc Mower Owners Manual

- Joining Online Reading Communities
 - Participating in Virtual Book Clubs
 - Following Authors and Publishers Fella Disc Mower Owners Manual
9. Balancing eBooks and Physical Books Fella Disc Mower Owners Manual
- Benefits of a Digital Library
 - Creating a Diverse Reading Collection Fella Disc Mower Owners Manual
10. Overcoming Reading Challenges
- Dealing with Digital Eye Strain
 - Minimizing Distractions
 - Managing Screen Time
11. Cultivating a Reading Routine Fella Disc Mower Owners Manual
- Setting Reading Goals Fella Disc Mower Owners Manual
 - Carving Out Dedicated Reading Time
12. Sourcing Reliable Information of Fella Disc Mower Owners Manual
- Fact-Checking eBook Content of Fella Disc Mower Owners Manual
 - Distinguishing Credible Sources
13. Promoting Lifelong Learning
- Utilizing eBooks for Skill Development
 - Exploring Educational eBooks
14. Embracing eBook Trends
- Integration of Multimedia Elements
 - Interactive and Gamified eBooks

Fella Disc Mower Owners Manual Introduction

Free PDF Books and Manuals for Download: Unlocking Knowledge at Your Fingertips In today's fast-paced digital age, obtaining valuable knowledge has become easier than ever. Thanks to the internet, a vast array of books and manuals are now available for free download in PDF format. Whether you are a student, professional, or simply an avid reader, this treasure trove of downloadable resources offers a wealth of information, conveniently accessible anytime, anywhere. The advent of online libraries and platforms dedicated to sharing knowledge has revolutionized the way we consume information. No longer confined to physical libraries or bookstores, readers can now access an extensive collection of digital books and

manuals with just a few clicks. These resources, available in PDF, Microsoft Word, and PowerPoint formats, cater to a wide range of interests, including literature, technology, science, history, and much more. One notable platform where you can explore and download free Fella Disc Mower Owners Manual PDF books and manuals is the internet's largest free library. Hosted online, this catalog compiles a vast assortment of documents, making it a veritable goldmine of knowledge. With its easy-to-use website interface and customizable PDF generator, this platform offers a user-friendly experience, allowing individuals to effortlessly navigate and access the information they seek. The availability of free PDF books and manuals on this platform demonstrates its commitment to democratizing education and empowering individuals with the tools needed to succeed in their chosen fields. It allows anyone, regardless of their background or financial limitations, to expand their horizons and gain insights from experts in various disciplines. One of the most significant advantages of downloading PDF books and manuals lies in their portability. Unlike physical copies, digital books can be stored and carried on a single device, such as a tablet or smartphone, saving valuable space and weight. This convenience makes it possible for readers to have their entire library at their fingertips, whether they are commuting, traveling, or simply enjoying a lazy afternoon at home. Additionally, digital files are easily searchable, enabling readers to locate specific information within seconds. With a few keystrokes, users can search for keywords, topics, or phrases, making research and finding relevant information a breeze. This efficiency saves time and effort, streamlining the learning process and allowing individuals to focus on extracting the information they need. Furthermore, the availability of free PDF books and manuals fosters a culture of continuous learning. By removing financial barriers, more people can access educational resources and pursue lifelong learning, contributing to personal growth and professional development. This democratization of knowledge promotes intellectual curiosity and empowers individuals to become lifelong learners, promoting progress and innovation in various fields. It is worth noting that while accessing free Fella Disc Mower Owners Manual PDF books and manuals is convenient and cost-effective, it is vital to respect copyright laws and intellectual property rights. Platforms offering free downloads often operate within legal boundaries, ensuring that the materials they provide are either in the public domain or authorized for distribution. By adhering to copyright laws, users can enjoy the benefits of free access to knowledge while supporting the authors and publishers who make these resources available. In conclusion, the availability of Fella Disc Mower Owners Manual free PDF books and manuals for download has revolutionized the way we access and consume knowledge. With just a few clicks, individuals can explore a vast collection of resources across different disciplines, all free of charge. This accessibility empowers individuals to become lifelong learners, contributing to personal growth, professional development, and the advancement of society as a whole. So why not unlock a world of knowledge today? Start exploring the vast sea of free PDF books and manuals waiting to be discovered right at your fingertips.

FAQs About Fella Disc Mower Owners Manual Books

How do I know which eBook platform is the best for me? Finding the best eBook platform depends on your reading preferences and device compatibility. Research different platforms, read user reviews, and explore their features before making a choice. Are free eBooks of good quality? Yes, many reputable platforms offer high-quality free eBooks, including classics and public domain works. However, make sure to verify the source to ensure the eBook credibility. Can I read eBooks without an eReader? Absolutely! Most eBook platforms offer web-based readers or mobile apps that allow you to read eBooks on your computer, tablet, or smartphone. How do I avoid digital eye strain while reading eBooks? To prevent digital eye strain, take regular breaks, adjust the font size and background color, and ensure proper lighting while reading eBooks. What the advantage of interactive eBooks? Interactive eBooks incorporate multimedia elements, quizzes, and activities, enhancing the reader engagement and providing a more immersive learning experience. Fella Disc Mower Owners Manual is one of the best book in our library for free trial. We provide copy of Fella Disc Mower Owners Manual in digital format, so the resources that you find are reliable. There are also many Ebooks of related with Fella Disc Mower Owners Manual. Where to download Fella Disc Mower Owners Manual online for free? Are you looking for Fella Disc Mower Owners Manual PDF? This is definitely going to save you time and cash in something you should think about.

Find Fella Disc Mower Owners Manual :

[*mercedes benz 116 repair manual*](#)

[~~mendel heredity study guide~~](#)

[~~memorandum of electrotechnology august 20n3~~](#)

[~~memorandum of life science november 2014~~](#)

[*memorandum of physics grade 1final exam*](#)

[men max workouts kick start lean body guide](#)

[mercedes benz 2002 w203 repair manual](#)

[memorex tv service manual](#)

[mercedes 88 190e repair manual](#)

[~~mercedes a160 2015 manual~~](#)

[*memorandum of life sciences grade 11 november 2014*](#)

[*mercedes benz cls 320 cdi repair manual*](#)

[mercedes benz 1970 owners manual](#)

**merccruiser thunderbolt 4 ignition wiring diagram
mer repair manual**

Fella Disc Mower Owners Manual :

die bestimmung letzte entscheidung penguin random house - Oct 10 2023

web feb 16 2015 veronica roth die bestimmung letzte entscheidung roman als taschenbuch mit leseprobe jetzt bei goldmann verlag entdecken und bestellen sie wollen nichts mehr verpassen dann melden sie sich zu

rezension die bestimmung letzte entscheidung von veronica roth - Apr 23 2022

web sep 1 2018 die bestimmungs reihe von veronica roth wird mir fest in erinnerung bleiben aber die geschichte bzw der dritte band hat auch einige haken die bestimmung letzte entscheidung ist der dritte band der bestimmungs reihe und setzt nahtlos an die ereignisse des zweiten bands ein

rezension die bestimmung von veronica roth roman tipps - Sep 28 2022

web dec 22 2017 meine meinung die bestimmung von veronica roth ist der erste band der bestimmungs reihe auf die ich durch die verfilmung des buches aufmerksam geworden bin und zeigt eine beklemmende dystopische zukunft die in der stadt chicago spielt welche von der außenwelt abgeriegelt ist

die bestimmung divergent der fantasy bestseller von veronika roth - May 05 2023

web das neue fantasy opus von veronica roth die lang ersehnte fortsetzung von rat der neun gezeichnet ist erschienen cyra die schwester des brutalen tyrannen ryzek verfügt über eine besondere gabe sie kann menschen durch bloße berührung schmerz zufügen und sie gar töten was ihr bruder gezielt gegen seine feinde einsetzt

die erwählten tödliche bestimmung von veronica roth ebook - Apr 04 2023

web mit ihrer dystopischen trilogie die bestimmung hat veronica roth bestseller geschichte geschrieben jetzt ist sie zurück besser und stärker als jemals zuvor mit ihrem ersten fantasy roman für erwachsene

die bestimmung die gesamtausgabe penguin random house - Aug 08 2023

web jun 13 2017 veronica roth die bestimmung die gesamtausgabe die bestimmung tödliche wahrheit letzte entscheidung als hörbuch mp3 cd mit hörprobe jetzt bei der hörverlag entdecken und bestellen sie wollen nichts mehr verpassen

veronica roth die bestimmung taschenbuch goldmann verlag - Jul 07 2023

web oct 21 2013 veronica roth die bestimmung roman als taschenbuch mit leseprobe jetzt bei goldmann verlag entdecken und bestellen

veronica roth die bestimmung hörbuch download der - Jan 01 2023

web apr 28 2014 veronica roth die bestimmung insurgent tödliche wahrheit als hörbuch download mit hörprobe jetzt bei

der hörverlag entdecken und bestellen

die erwählten tödliche bestimmung roman von veronica roth - Oct 30 2022

web nach der bestseller jugendbuchreihe die bestimmung legt roth nun ihr fantastisches erwachsenendebüt vor und betrachtet darin eine gruppe junger auserwählter die die welt retten müssen und unter dem gewicht dieser verantwortung und der damit einhergehenden psychischen und sozialen belastung zu zerbrechen drohen

veronica roth die bestimmung - Jul 27 2022

web veronica roth lebt in chicago und studierte an der dortigen northwestern university creative writing im alter von nur 20 jahren schrieb sie während ihres studiums den roman der später die bestimmung originaltitel divergent wurde und mit dem sie in den usa auf antrieb die bestsellerlisten stürmte

veronica roth die bestimmung tödliche wahrheit ebook cbj - Mar 03 2023

web dec 10 2012 veronica roth die bestimmung tödliche wahrheit der fortsetzung der packenden fantasy dystopie als ebook epub mit leseprobe jetzt bei cbj jugendbücher entdecken und bestellen sie wollen nichts mehr verpassen

tödliche bestimmung die erwählten bd 1 von veronica roth - Jun 25 2022

web veronica roth ist die autorin des nr 1 new york times und spiegel bestsellers rat der neun und der trilogie die bestimmung von der sich weltweit über 35 millionen exemplare verkauft haben und die in drei teilen mit

veronica roth die bestimmung random house copy db csda - Feb 19 2022

web feind cyra die schwester des brutalen tyrannen ryzek verfügt über eine besondere gabe sie kann menschen durch bloße berührung schmerz zufügen und sie gar töten was ihr bruder

veronica roth die bestimmung wiki fandom - Nov 30 2022

web veronica roth ist die autorin der bestimmungs trilogie veronica roth wurde am 19 august 1988 in einem chicagoer vorort in den usa geboren sie studierte kreatives schreiben an der northwestern university und schloss ihr studium im jahr 2010 ab im alter von 20 jahren begann sie mit dem schreiben ihres ersten romanes welcher 2011 unter

die erwählten tödliche bestimmung penguin random house - Sep 09 2023

web sep 1 2020 veronica roth die erwählten tödliche bestimmung roman als ebook epub mit leseprobe jetzt bei penhaligon verlag entdecken und bestellen

tödliche wahrheit die bestimmung bd 2 von veronica roth - May 25 2022

web die grandiose trilogie die bestimmung von veronica roth ist eine unendlich spannende zukunftsvision voller überraschender wendungen heftiger emotionen und kraftvoller einblicke in die menschliche natur fesselnd bis zur letzten seite

die bestimmung by veronica roth goodreads - Jun 06 2023

web read 117k reviews from the world s largest community for readers in beatrice prior s dystopian chicago world society is divided into five factions each

die bestimmung bd 1 von veronica roth bücher orell füssli - Aug 28 2022

web die grandiose trilogie die bestimmung von veronica roth ist eine unendlich spannende zukunftsvision voller überraschender wendungen heftiger emotionen und kraftvoller einblicke in die menschliche natur fesselnd bis zur letzten seite

die bestimmung von veronica roth hörbuch download thalia - Mar 23 2022

web hörbuchteil von der reihe die bestimmung ist eine ungekürzte lesung die eine laufzeit von 12 stunden und 9 minuten hat das hörbuch hat einen umfang von einer cd diese am 09 03 2015 unter dem hörverlag erschienen ist die buchvorlage geschrieben von veronica roth ist unter dem cbt hc verlag erschienen

die bestimmung bd 1 von veronica roth ebook thalia - Feb 02 2023

web die grandiose trilogie die bestimmung von veronica roth ist eine unendlich spannende zukunftsvision voller überraschender wendungen heftiger emotionen und kraftvoller einblicke in die menschliche natur fesselnd bis zur letzten seite alle bücher der die bestimmung reihe band 1 die bestimmung band 2 tödliche wahrheit

gentlelase mini mgl gentleyag mini mgy or vpyag - Oct 09 2022

web manufacturer candela category of device personal care products document gentleyag operator s manual file type pdf updated 24 02 2023 count of pages

superior results treating multiple indications coolmedsa com - Jun 05 2022

web feb 15 2018 page 1 save this book to read candela gentleyag manual pdf ebook at our online library get candela gentleyag manual pdf file for free from our online

candela gentleyag manual by wierie49 issuu - Mar 02 2022

web syneron candela gentlemax pro gentlemaxservice manual pdf medwrench home all categories general laser aesthetic laser syneron candela gentlemax pro

candela gentleyag operator s manual guidessimo com - Jul 06 2022

web jul 4 2017 page 3 save this book to read candela gentleyag operators manual pdf ebook at our online library get candela gentleyag operators manual pdf file for free

candela gentlemax pro user manual pdf - Nov 10 2022

web higher fluences larger spot sizes and shorter pulse durations all point to the power of the new gentlemax pro plus platform only candela combines this much power and our

syneron candela gentleyag community manuals and - Jan 12 2023

web system candela mgl mgy laser service solutions 650 grove road suite 104 paulsboro nj 08066 laserservicesolutions com p 856 853 7555 f 856 853 7575

download candela gentleyag operator s manual manualslib - Jul 18 2023

web candela new gentleyag manuals manuals and user guides for candela new gentleyag we have 5candela new gentleyag manuals available for free pdf

syneron candela gentleyag mini community manuals and - Sep 08 2022

web gentleyag because of its high peak power specifications the gentleyag is extremely versatile for hair and leg vein removal treatments as well as for its ability to deliver skin

syneron candela gentlemax pro gentalemaxservice manual - Nov 29 2021

gentle pro hair removal candela medical - Aug 07 2022

web gentle pro devices deliver short pulses of light energy into the skin using state of the art technology the gentle pro systems are fda and ce cleared the series include the

candela gentleyag service manual and technical theory of - Dec 31 2021

candela gentlemax pro manuals user guides - Feb 01 2022

web syneron candela gentleyag mini candela mgl mgy instruction sheet pdf medwrench home all categories general laser aesthetic laser syneron candela

candela gentleyag operator s manual pdf - Sep 20 2023

web candela gentleyag manuals manuals and user guides for candela gentleyag we have 1 candela gentleyag manual available for free pdf download operator s manual

candela new gentleyag alignment procedure manualslib - Feb 13 2023

web beam delivery lens coupled optical fiber with handpiece pulse control fingerswitch footswitch electrical 230 v 50 60 hz single phase 16a syneron candela

operator s manual frank s hospital workshop - Mar 14 2023

web view and download candela new gentleyag alignment procedure online cryogen spray new gentleyag hair removal system pdf manual download

candela new gentleyag manuals manualslib - Jun 17 2023

web manuals and user guides for candela gentleyag le we have 1 candela gentleyag le manual available for free pdf download operator s manual candela gentleyag le

candela gentleyag user operator manual and - Dec 11 2022

web description yag laser the candela mini gentleyag is a versatile yag laser which performs treatments for darker skin types the wavelength of yag is 1064nm the

syneron candela gentleyag mini candela mgl mgy - Oct 29 2021

candela gentleyag manuals manualslib - Aug 19 2023

web candela gentleyag operator s manual brand candela category personal care products size 9 01 mb pages 160 this manual is also suitable for gentleyag le

syneron candela gentleyag manuals and documents - Apr 15 2023

web this manual provides operating instructions for users of the gentlelase and gentlelase limited edition gl le systems the gl le laser system differs from the gentlelase

candela gentleyag le manuals manualslib - May 16 2023

web syneron candela gentleyag manuals documents syneron candela gentleyag brochure and specs treating leg veins with the gentleyag laser 3 mm spot

candela gentleyag operators manual by earlmorabito3718 issuu - Apr 03 2022

web downloadable digital file of the candela gentleyag service manual and technical theory of operation sections this manual is intended to provide the physician and other

patient gentle pro series candela medical - May 04 2022

web user manuals guides and specifications for your candela gentlemax pro hair removal system measuring instruments database contains 2 candela gentlemax pro manuals

mahashweta devi s draupadi a feministic approach - Sep 26 2022

web she reconstructs and preserves her identity intact till the end of the story key words feminism gender hegemony patriarchy subaltern the short story draupadi by

mahasweta devi short stories summary and analysis of draupadi - Jul 05 2023

draupadi is the name of the central character she is introduced to the reader between two uniforms and between two versions of her see more

mahasweta devi s draupadi and the mythic - May 23 2022

web abstract mahasweta devi is one of the most distinguished writers of india she writes a large number of plays short stories and novels in her writings she portrays women as

the context and import of mahasweta devi s - Nov 28 2022

web itself impotent as spivak remarks she is what draupadi written into the patriarchal and authoritative sacred text as proof of male pow of the marginalized sections of the society

questioning subalternity re reading mahasweta devi s draupadi - Aug 26 2022

web dec 14 2021 draupadi by mahasweta devi summary title context text all about english literature draupadi mahasweta devi s memorable short story and still

draupadi a case of captivating hegemonic structures and - Jul 25 2022

web the very name draupadi is similar to the method point of view only when we read the text name of the epic character draupadi in the contrapuntally then we understand the problems mahabharata apparently this text focuses on the of women who are treated as marginalised entities naxalbari movement but on deeper level it in society

resurrecting subaltern through female body in mahasweta devi s draupadi - Jan 19 2022

web aug 26 2021 du drops mahasweta devi s draupadi from english syllabus here s what the short story is all about books and literature news the indian express draupadi

study of spivak s translation of mahasweta devi s - Apr 21 2022

web draupadi the classical heroine of the mahabharata in an unavoidable way forms the praxis of reference comparison and contrast with mahasweta devi s tribal heroine draupadi

mahasweta devi s draupadi a portrayal of - Mar 01 2023

web 15 if still today translating indian literary texts into english is considered by many as a legacy of the british colonial presence on the subcontinent in the next section we

draupadi free download borrow and streaming - Aug 06 2023

in 1970 the implicit hostility between east and west pakistan flamed into armed struggle in 1971 at a crucial moment in the struggle the armed forces of the government of india were deployed seemingly because see more

literature resistance and visibility draupadi by - Jun 04 2023

the story of draupadi is set among the tribal s in bengal draupadi or dopdi as her name appears in dialect is a santhals tribe girl who is vulnerable to injustice but resist the burnt of see more

subaltern voice in mahasweta devi s draupadi - Mar 21 2022

web mahasweta devi s text makes great areas of feminist research and also involves with the lives and struggles of the unprivileged tribal women the present paper aims to analyze the contours of mahasweta devi s short story draupadi where a tribal woman draupadi is subjected to third degree in sexual violence

mahasweta devi s draupadi as a symbol of subaltern defiance - Dec 18 2021

[pdf mahasweta devi draupadi dr anuvesh gill](#) - Apr 02 2023

web draupadi pushes senanayak with her two mangled breasts and for the first time senanayak is afraid to stand before an unarmed target terribly afraid akshaya ramesh

draupadi by mahasweta devi goodreads - Jan 31 2023

web the text which i will discuss in greater length later 186 187 draupadi and the reinvention of myth in draupadi three main areas of negotiation raise questions

[pdf mahasweta devi draupadi dr anuvesh gill](#) - May 03 2023

web draupadi by mahasweta devi translated with a foreword by gayatri chakravorty spivak translator s foreword translated this bengali short story into english as much for the

[canonizing the draupadis in mahasweta devi s draupadi](#) - Feb 17 2022

web feb 24 2022 draupadi is a short story of around 20 pages originally written in bengali by mahasweta devi it was anthologised in the collection breast stories translated to

narratives of resistance mahasweta devi s draupadi - Dec 30 2022

web mahasweta devi explores the politics around the category called the subaltern draupadi is a story about dopdi mejhen a woman who belongs to the santhal tribe of west

draupadi by mahasweta devi pdf scribd - Oct 28 2022

web this consciousness made her a dedicated social activist in draupadi the eponymous tribal girl who is subjected to brutal rape and inhuman torture is represented by mahasweta

[draupadi by mahasweta devi summary title context](#) - Oct 08 2023

mahasweta devi 14 january 1926 28 july 2016 was a famous women social activist writer and journalist from india who worked hard for the growth of the tribal people indeed she was fondly called the mother of the sabar because of her extensive work in support of the sabar tribe mahasweta was see more

[draupadi by mahasweta devi gayatri chakravorty spivak](#) - Sep 07 2023

draupadi is a short story of around 20 pages originally written in bengali by mahasweta devi it was anthologized in the collection breast stories translated to english by gayatri chakravorty spivak gayatri chakravorty see more

[du drops mahasweta devi s draupadi from english syllabus](#) - Nov 16 2021

draupadi by mahasweta devi summary title context text - Jun 23 2022

web the original text play a significant role in the assessment of the translated narrative this paper attempts to look into these questions by attempting a comparative analysis of

