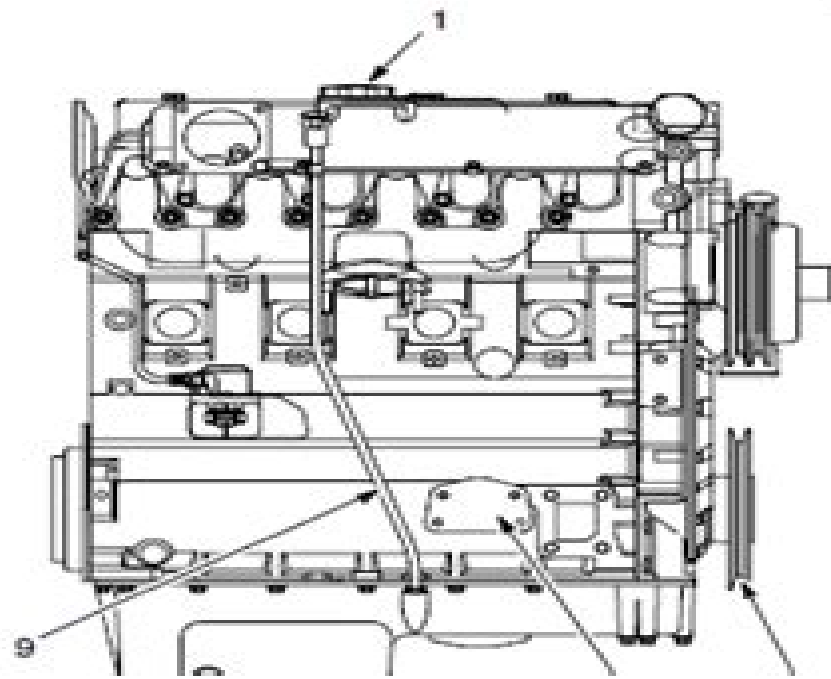


1. FILL CAP FOR ENGINE OIL
2. FUEL FILTER
3. FUEL INJECTION PUMP
4. COOLANT PUMP
5. OIL SUMP
6. OIL FILTER (CAN BE INSTALLED ON EITHER SIDE OF ENGINE)
7. FAN DRIVE
8. ALTERNATOR
9. DIPSTICK, ENGINE OIL (CAN BE INSTALLED ON EITHER SIDE OF ENGINE)
10. CRANKSHAFT PULLEY



Hyster H120xm Manual

S Baum



Hyster H120xm Manual:

State of Colorado Mobile Equipment Manual ,2006 **Hyster Service Manual: Spacesaver S60B, S70B, S80B, S100B and Challenger H60C, H70C, H80C, H100C, H120C (fork Lift Trucks).** Hyster Company,1975 *Hyster Parts Manual* ,1995 *Parts Manual* ,1995 *Hyster V.a. 70 Fork Lift Truck Operations Manual* J. B. Hopkinson,R. O. Newberry,1962 **Parts Book and Instruction Manual for Hyster D4N Towing Winch for Caterpillar D4 and R4 Tractors, Tractor Model Serial Numbers 6G-2076 and Up, 7J-9215 and Up** Hyster Co,1955 Service Manual ,1972

Embark on a breathtaking journey through nature and adventure with is mesmerizing ebook, Witness the Wonders in **Hyster H120xm Manual** . This immersive experience, available for download in a PDF format (*), transports you to the heart of natural marvels and thrilling escapades. Download now and let the adventure begin!

<https://staging.conocer.cide.edu/results/scholarship/default.aspx/federal%20suppliers%20guide%20inc.pdf>

Table of Contents Hyster H120xm Manual

1. Understanding the eBook Hyster H120xm Manual
 - The Rise of Digital Reading Hyster H120xm Manual
 - Advantages of eBooks Over Traditional Books
2. Identifying Hyster H120xm Manual
 - Exploring Different Genres
 - Considering Fiction vs. Non-Fiction
 - Determining Your Reading Goals
3. Choosing the Right eBook Platform
 - Popular eBook Platforms
 - Features to Look for in an Hyster H120xm Manual
 - User-Friendly Interface
4. Exploring eBook Recommendations from Hyster H120xm Manual
 - Personalized Recommendations
 - Hyster H120xm Manual User Reviews and Ratings
 - Hyster H120xm Manual and Bestseller Lists
5. Accessing Hyster H120xm Manual Free and Paid eBooks
 - Hyster H120xm Manual Public Domain eBooks
 - Hyster H120xm Manual eBook Subscription Services
 - Hyster H120xm Manual Budget-Friendly Options
6. Navigating Hyster H120xm Manual eBook Formats

- ePub, PDF, MOBI, and More
 - Hyster H120xm Manual Compatibility with Devices
 - Hyster H120xm Manual Enhanced eBook Features
7. Enhancing Your Reading Experience
 - Adjustable Fonts and Text Sizes of Hyster H120xm Manual
 - Highlighting and Note-Taking Hyster H120xm Manual
 - Interactive Elements Hyster H120xm Manual
 8. Staying Engaged with Hyster H120xm Manual
 - Joining Online Reading Communities
 - Participating in Virtual Book Clubs
 - Following Authors and Publishers Hyster H120xm Manual
 9. Balancing eBooks and Physical Books Hyster H120xm Manual
 - Benefits of a Digital Library
 - Creating a Diverse Reading Collection Hyster H120xm Manual
 10. Overcoming Reading Challenges
 - Dealing with Digital Eye Strain
 - Minimizing Distractions
 - Managing Screen Time
 11. Cultivating a Reading Routine Hyster H120xm Manual
 - Setting Reading Goals Hyster H120xm Manual
 - Carving Out Dedicated Reading Time
 12. Sourcing Reliable Information of Hyster H120xm Manual
 - Fact-Checking eBook Content of Hyster H120xm Manual
 - Distinguishing Credible Sources
 13. Promoting Lifelong Learning
 - Utilizing eBooks for Skill Development
 - Exploring Educational eBooks
 14. Embracing eBook Trends
 - Integration of Multimedia Elements
 - Interactive and Gamified eBooks

Hyster H120xm Manual Introduction

Hyster H120xm Manual Offers over 60,000 free eBooks, including many classics that are in the public domain. Open Library: Provides access to over 1 million free eBooks, including classic literature and contemporary works. Hyster H120xm Manual Offers a vast collection of books, some of which are available for free as PDF downloads, particularly older books in the public domain. Hyster H120xm Manual : This website hosts a vast collection of scientific articles, books, and textbooks. While it operates in a legal gray area due to copyright issues, its a popular resource for finding various publications. Internet Archive for Hyster H120xm Manual : Has an extensive collection of digital content, including books, articles, videos, and more. It has a massive library of free downloadable books. Free-eBooks Hyster H120xm Manual Offers a diverse range of free eBooks across various genres. Hyster H120xm Manual Focuses mainly on educational books, textbooks, and business books. It offers free PDF downloads for educational purposes. Hyster H120xm Manual Provides a large selection of free eBooks in different genres, which are available for download in various formats, including PDF. Finding specific Hyster H120xm Manual, especially related to Hyster H120xm Manual, might be challenging as theyre often artistic creations rather than practical blueprints. However, you can explore the following steps to search for or create your own Online Searches: Look for websites, forums, or blogs dedicated to Hyster H120xm Manual, Sometimes enthusiasts share their designs or concepts in PDF format. Books and Magazines Some Hyster H120xm Manual books or magazines might include. Look for these in online stores or libraries. Remember that while Hyster H120xm Manual, sharing copyrighted material without permission is not legal. Always ensure youre either creating your own or obtaining them from legitimate sources that allow sharing and downloading. Library Check if your local library offers eBook lending services. Many libraries have digital catalogs where you can borrow Hyster H120xm Manual eBooks for free, including popular titles. Online Retailers: Websites like Amazon, Google Books, or Apple Books often sell eBooks. Sometimes, authors or publishers offer promotions or free periods for certain books. Authors Website Occasionally, authors provide excerpts or short stories for free on their websites. While this might not be the Hyster H120xm Manual full book , it can give you a taste of the authors writing style. Subscription Services Platforms like Kindle Unlimited or Scribd offer subscription-based access to a wide range of Hyster H120xm Manual eBooks, including some popular titles.

FAQs About Hyster H120xm Manual Books

How do I know which eBook platform is the best for me? Finding the best eBook platform depends on your reading preferences and device compatibility. Research different platforms, read user reviews, and explore their features before making a choice. Are free eBooks of good quality? Yes, many reputable platforms offer high-quality free eBooks, including

classics and public domain works. However, make sure to verify the source to ensure the eBook credibility. Can I read eBooks without an eReader? Absolutely! Most eBook platforms offer web-based readers or mobile apps that allow you to read eBooks on your computer, tablet, or smartphone. How do I avoid digital eye strain while reading eBooks? To prevent digital eye strain, take regular breaks, adjust the font size and background color, and ensure proper lighting while reading eBooks. What the advantage of interactive eBooks? Interactive eBooks incorporate multimedia elements, quizzes, and activities, enhancing the reader engagement and providing a more immersive learning experience. Hyster H120xm Manual is one of the best book in our library for free trial. We provide copy of Hyster H120xm Manual in digital format, so the resources that you find are reliable. There are also many Ebooks of related with Hyster H120xm Manual. Where to download Hyster H120xm Manual online for free? Are you looking for Hyster H120xm Manual PDF? This is definitely going to save you time and cash in something you should think about.

Find Hyster H120xm Manual :

federal suppliers guide inc

fcatt grade 10 anchor papers

[father s best friend taboo erotica bundle](#)

[feeding the minotaurs](#)

[females putting men in bondage stories](#)

[federal civil service exam study guide](#)

[ferguson te20 repair manual](#)

fendt favorit 600 611 612 614 615 lsa tractor workshop service repair manual 1

fender passport pd 250 manual

fe exam practice problems solved

fated dark protectors 1 rebecca zanetti

[fei fire panel 7200 manual](#)

fbat study guide corrections

[fat potato bread recipe](#)

fattori trattori book epc 65418

Hyster H120xm Manual :

the essential writings of christian mysticism modern library - Apr 01 2022

web jan 25 2023 the essential writings of christian mysticism modern library cl 1 25 downloaded from sfsupport2 solidfire com on by guest the essential writings of

the essential writings of christian mysticism - Oct 07 2022

web jan 1 2006 the essential writings of christian mysticism text only by b mcginn b mcginn on amazon com free shipping on qualifying offers the essential writings

the essential writings of christian mysticism - Mar 12 2023

web summary this clear and comprehensive anthology culled from the vast corpus of christian mystical literature by the renowned theologian and historian bernard mcginn presents

the essential writings of christian mysticism villanova university - May 02 2022

web dieval and early modern christianity written by leading authorities and younger scholars from a range of disciplines the volume provides a clear introduction to the christian

the essential writings of christian mysticism worldcat org - Jan 10 2023

web add a gift card to your order choose your denomination

[the essential writings of christian mysticism archive org](#) - Sep 18 2023

web the essential writings of christian mysticism this clear and comprehensive anthology culled from the vast corpus of christian mystical literature by the renowned theologian

the essential writings of christian mysticism google books - Jul 16 2023

web dec 12 2006 the essential writings of christian mysticism bernard mcginn random house publishing group dec 12 2006 religion 592 pages this clear and

christian mysticism cambridge university press - Feb 28 2022

web dec 12 2006 this clear and comprehensive anthology culled from the vast corpus of christian mystical literature by the renowned theologian and historian bernard mcginn

the essential writings of christian mysticism open library - Jun 15 2023

web dec 28 2022 1 foundations of mystical practice biblical interpretation asceticism and purgation prayer liturgy and sacraments inner and outer practices mystical

the essential writings of christian mysticism worldcat org - Apr 13 2023

web the essential writings of christian mysticism modern library classics by mcginn bernard at abebooks co uk isbn 10 0812974212 isbn 13 9780812974218

the essential writings of christian mysticism iowa city public - Jul 04 2022

web 1 foundations of mystical practice biblical interpretation asceticism and purgation prayer liturgy and sacraments inner and outer practices mystical itineraries 2

the essential writings of christian mysticism modern library - Nov 27 2021

the essential writings of christian mysticism google books - Dec 29 2021

the essential writings of christian mysticism modern library - Feb 11 2023

web the essential writings of christian mysticism by bernard mcginn 9780812974218 penguinrandomhouse com books this clear and comprehensive anthology culled

full pdf the essential writings of christian mysticism modern - Jun 03 2022

web this clear and comprehensive anthology culled from the vast corpus of christian mystical literature by the renowned theologian and historian bernard mcginn presents nearly one

the essential writings of christian mysticism modern - Aug 17 2023

web the essential writings of christian mysticism modern library classics

the essential writings of christian mysticism modern - May 14 2023

web summary this clear and comprehensive anthology culled from the vast corpus of christian mystical literature by the renowned theologian and historian bernard mcginn

the essential writings of christian mysticism text only by b - Aug 05 2022

web feb 7 2022 the essential writings of christian mysticism modern library classics copy link in description to download this book this clear and comprehensive anthology

the essential writings of christian mysticism modern library cl - Jan 30 2022

web the essential writings of christian mysticism modern library classics mcginn bernard amazon in books

the essential writings of christian mysticism penguin random - Dec 09 2022

web in nearly one hundred selections spanning seventeen centuries the essential writings of christian mysticism explores how human life is transformed through the search for

pdf the essential writings of christian mysticism modern - Sep 06 2022

web the essential writings of christian mysticism book 2006 saved in place a hold save to list email this holdings 2nd floor show me where 248 22 essential modern

the essential writings of christian mysticism modern library - Nov 08 2022

web the essential writings of christian mysticism modern library cl aspects of christian mysticism classic reprint mar 31 2021
excerpt from aspects of christian

[the mystic spiral journey of the soul art and imagination jill](#) - Apr 11 2023

web the mystic spiral journey of the soul art and imagination jill purce amazon com tr kitap

the mystic spiral journey of the soul pdf 3oevhejbpga0 - Feb 09 2023

web e book overview as the inward winding labyrinth it constitutes the hero s journey to the still center where the secret of life is found as the spherical vortex spiraling through its own center it combines the inward and outward directions of movement in this original and engrossing book jill purce traces the significance of one man s

the mystic spiral journey of the soul art and imag - Apr 30 2022

web feb 28 2023 for the mystic spiral journey of the soul art and imag and numerous books collections from fictions to scientific research in any way along with them is this the mystic spiral journey of the soul art and imag that can be your partner

download the mystic spiral journey of the soul pdf - Dec 07 2022

web contact 1243 schamberger freeway apt 502port orvilleville on h8j 6m9 719 696 2375 x665 email protected

loading interface goodreads - Jan 28 2022

web discover and share books you love on goodreads

the mystic spiral journey of the soul art and imagination - Jul 14 2023

web jun 17 1980 in this original and engrossing book jill purce traces the significance of one man s central symbols from the double spirals of stone age art and the interlocking spirals of the chinese yin yang symbol to the whorls of celtic crosses maori tattoos and the islamic arabesque

the mystic spiral journey of the soul art and imag pdf - Aug 03 2022

web the mystic spiral journey of the soul art and imag 3 3 a topology of mind suny press this book uses the spiral shape as a key to a multitude of strange and seemingly disparate stories about art nature science mathematics and the human endeavour in a way the book is itself organized as a spiral with almost disconnected chapters

the mystic spiral journey of the soul art and imag pdf wp - Aug 15 2023

web spiral journey of the soul art and imag a literary masterpiece penned by a renowned author readers embark on a transformative journey unlocking the secrets and untapped potential embedded within each word

[the mystic spiral journey of the soul art and imag](#) - Jun 13 2023

web journey of the soul jun 19 2022 the healthy christian life is one of continuing spiritual emotional and relational growth but so many of us feel stuck or stagnated at one stage of the journey it s not always clear to us where or why we are stuck

making it difficult to take the next step on our journey of the soul that s where bill and

the mystic spiral journey of the soul art and imag 2022 - Mar 30 2022

web the significance of one man s central symbols from the double spirals of stone age art and the interlocking spirals of the chinese yin yang symbol to the whorls of celtic crosses maori tattoos and the islamic arabesque

the mystic spiral journey of the soul art and imagination by jill - Jun 01 2022

web jun 30 2023 the mystic spiral journey of the soul art and imagination by jill purce is available in our novel gathering an online access to it is set as public so you can get it instantly

the mystic spiral journey of the soul art and imag pdf - Sep 04 2022

web jun 27 2023 imitation of some harmful virus inside their computer the mystic spiral journey of the soul art and imag is friendly in our digital library an online entry to it is set as public fittingly you can download it

the mystic spiral journey of the soul art and imag pdf vpn - Jul 02 2022

web 2 the mystic spiral journey of the soul art and imag 2020 05 21 with a soul community creator as your guide renewal of meaning in your day to day life a journey to finding yourself and your divine purpose counterhegemonic discourse from the maghreb university of toronto press

the mystic spiral journey of the soul art and imag anne - Dec 27 2021

web feb 24 2023 the mystic spiral journey of the soul art and imag recognizing the way ways to acquire this ebook the mystic spiral journey of the soul art and imag is additionally useful you have remained in right site to begin getting this info get the the mystic spiral journey of the soul art and imag join that we present here and check

the mystic spiral journey of the soul art and imag - Feb 26 2022

web we provide the mystic spiral journey of the soul art and imag and numerous books collections from fictions to scientific research in any way accompanied by them is this the mystic spiral journey of the soul art and imag that can be your partner the mystic spiral journey of the soul art and imag downloaded from old botswanalaws com by

the mystic spiral journey of the soul art and imagination - Jan 08 2023

web in this original and engrossing book jill purce traces the significance of one man s central symbols from the double spirals of stone age art and the interlocking spirals of the chinese yin yang symbol to the whorls of celtic crosses maori

the mystic spiral journey of the soul art and imagination - May 12 2023

web the mystic spiral journey of the soul art and imagination softcover purce jill 4 25 avg rating 61 ratings by goodreads softcover isbn 10 0500810052 isbn 13 9780500810057 publisher thames hudson 1980 view all copies of this isbn edition synopsis about this title

the mystic spiral journey of the soul art and imag - Mar 10 2023

web the mystic spiral journey of the soul art and imag 2 9 downloaded from uniport edu ng on april 13 2023 by guest making and that the uses of psychology have to do with understanding the soul in transformation stephen larsen ph d author of the mythic imagination and a fire in the mind robert atkinson s new book offers us a thoughtful

the mystic spiral journey of the soul jill purce google books - Nov 06 2022

web the mystic spiral journey of the soul art and imagination art and cosmos series author jill purce edition illustrated publisher avon 1974 original from the university of california digitized jun 9 2009 isbn 0380014998 9780380014996 length 128 pages export citation bibtex endnote refman

the mystic spiral journey of the soul art and imag time life - Oct 05 2022

web spiral journey of the soul art and imag and numerous ebook collections from fictions to scientific research in any way in the midst of them is this the mystic spiral journey of the soul art and imag that can be your partner

amazon com customer reviews see me cover me full heart ranch series 4 - Jan 14 2023

web find helpful customer reviews and review ratings for see me cover me full heart ranch series 4 at amazon com read honest and unbiased product reviews from our users

show me love episode 4 release date spoilers streaming - Apr 05 2022

web mar 23 2023 show me love episode 4 is set to release this friday on 24th march 2023 the release date and time of the upcoming episode is provided below time in thailand 8 00 pm friday 24th march 2023 korean standard time kst 10 00 pm

[amazon com br avaliações de clientes see me cover me full heart](#) - Oct 11 2022

web confira avaliações e notas de clientes para see me cover me full heart ranch series 4 english edition na amazon com br leia avaliações reais e imparciais de nossos usuários sobre os produtos

see me cover me full heart ranch series 4 kindle edition - Apr 17 2023

web see me cover me full heart ranch series 4 ebook gee barbara amazon ca books

amazon com au customer reviews see me cover me full heart ranch - Mar 16 2023

web find helpful customer reviews and review ratings for see me cover me full heart ranch series 4 at amazon com read honest and unbiased product reviews from our users

see me cover me full heart ranch 4 by barbara gee goodreads - Oct 23 2023

web aug 3 2016 369 ratings49 reviews book 4 of the full heart ranch series can be read as a stand alone book but reading books 1 3 will help with the back story no cliff hanger the final book in the series will be released in march 2017 tanner james barely remembers who he was before joining the fbi a dozen years ago and he s okay

see me cover me full heart ranch series 4 english edition - Jun 19 2023

web see me cover me full heart ranch series 4 english edition ebook gee barbara amazon de kindle store

[show me love episode 4 eng sub full bilibili](#) - May 06 2022

web mar 25 2023 show me love episode 4 eng sub full feedback report 20 0k views mar 24 2023 repost is prohibited without the creator s permission im duke 0 follower 40 videos follow recommended for you all anime 29 26 show me love episode 5 eng sub full im duke 13 7k views 37 14 show me love

see me cover me full heart ranch series 4 kindle edition - Mar 04 2022

web see me cover me full heart ranch series 4 ebook gee barbara amazon in kindle store

tere mere beech tv series 2015 imdb - Jun 07 2022

web tere mere beech tv series 2015 your rating rate hareem is forced to return to her poor biological mother after her adoptive father dies she doesn t forgive her mother for giving her up for adoption and tries to make her life hell star sanam chaudhry

[see me cover me full heart ranch series 4 page 1](#) - Dec 13 2022

web table of contents chapter 1 chapter 2 chapter 3 chapter 4 chapter 5 chapter 6 chapter 7 chapter 8 chapter 9 chapter 10 chapter 11 chapter 12

see me cover me full heart ranch series 4 kindle edition - Sep 22 2023

web aug 3 2016 amazon com see me cover me full heart ranch series 4 ebook gee barbara kindle store

[tere sheher mein episode 1 84 tv episode 2015 imdb](#) - Jul 08 2022

web episode 1 84 directed by pradeep gupta with dhruv bhandari anjum fakih gautami Kapoor amir malik

see me cover me full heart ranch series 4 english edition - Aug 21 2023

web aug 3 2016 amazon co jp see me cover me full heart ranch series 4 english edition ebook gee barbara kindle store

see me cover me full heart ranch series 4 english lauraine - Sep 10 2022

web this see me cover me full heart ranch series 4 english as one of the most practicing sellers here will completely be in the midst of the best options to review come in and cover me gin phillips 2012 12 31

[see me cover me full heart ranch series 4 kindle edition](#) - Feb 15 2023

web see me cover me full heart ranch series 4 ebook gee barbara amazon co uk kindle store

see me cover me full heart ranch series 4 - Nov 12 2022

web aug 30 2022 see me cover me by barbara gee view book on bookshelves at online book club bookshelves is an awesome free web app that lets you easily save and share lists of books and see what books are trending see me cover me full heart ranch series 4 by barbara gee genre unknown add it below

see me cover me full heart ranch series 4 kindle edition - Jul 20 2023

web book 4 of the full heart ranch series tanner james barely remembers who he was before joining the fbi a dozen years ago

and he s okay with that life threatening assignments tend to change a person and he s learned to become whoever he needs to be in order to handle danger and succeed in the tasks he s given

see me cover me full heart ranch series 4 english edition by - Aug 09 2022

web sep 3 2023 see me cover me full heart ranch series 4 english edition by barbara gee black bean bowls with carrot poblano quinoa amp spicy ranch ellen degeneres sells santa barbara ranch to brian dirt dude where s my ranch transcripts wiki fandom view from the middle of a ranch transfer three at celebrity boot camp 6 almonds cost 4 100

full heart ranch series by barbara gee goodreads - May 18 2023

web find me save me full heart ranch 1 love me trust me full heart ranch 2 know me keep me full heart ranch 3 see me cover me full heart r