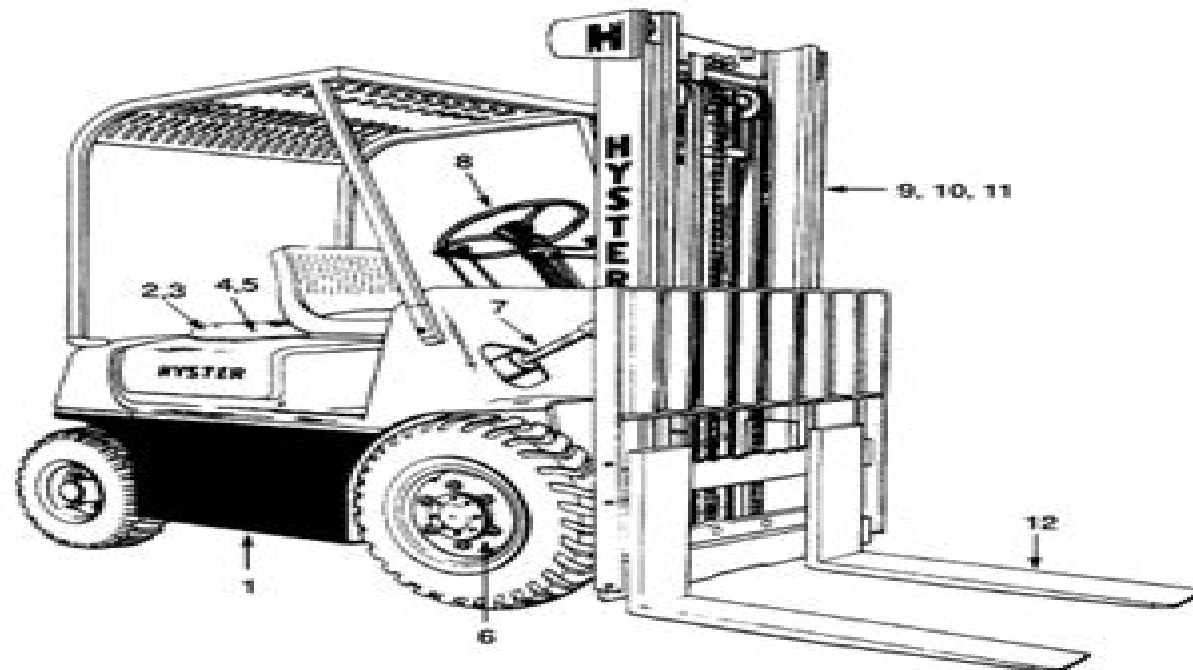


## ILLUSTRATED CONTENTS



REF	SECTION	PAGE
1	FRAME .....	Page 3
2	ENGINE .....	Page 15
3	FUEL SYSTEM .....	Page 63
4	ELECTRICAL SYSTEM .....	Page 91
5	TRANSMISSION AND CLUTCH .....	Page 107
6	BRAKE .....	Page 131
7	HYDRAULIC SYSTEM .....	Page 141
8	STEERING SYSTEM .....	Page 161
9	FULL FREE-LIFT MAST .....	Page 181
10	INTERMEDIATE FREE-LIFT MAST .....	Page 169
11	THREE STAGE MAST .....	Page 195
12	OPTIONAL .....	Page 213
--	NUMERIC INDEX .....	Page 235

# Hyster Challenger Service Manual

**Thomas Griffiths**



## **Hyster Challenger Service Manual:**

## Unveiling the Magic of Words: A Report on "**Hyster Challenger Service Manual**"

In some sort of defined by information and interconnectivity, the enchanting power of words has acquired unparalleled significance. Their capability to kindle emotions, provoke contemplation, and ignite transformative change is truly awe-inspiring. Enter the realm of "**Hyster Challenger Service Manual**," a mesmerizing literary masterpiece penned by way of a distinguished author, guiding readers on a profound journey to unravel the secrets and potential hidden within every word. In this critique, we shall delve in to the book is central themes, examine its distinctive writing style, and assess its profound impact on the souls of its readers.

<https://staging.conocer.cide.edu/About/book-search/Documents/manual%20paper%20drill%20press.pdf>

### **Table of Contents Hyster Challenger Service Manual**

1. Understanding the eBook Hyster Challenger Service Manual
  - The Rise of Digital Reading Hyster Challenger Service Manual
  - Advantages of eBooks Over Traditional Books
2. Identifying Hyster Challenger Service Manual
  - Exploring Different Genres
  - Considering Fiction vs. Non-Fiction
  - Determining Your Reading Goals
3. Choosing the Right eBook Platform
  - Popular eBook Platforms
  - Features to Look for in an Hyster Challenger Service Manual
  - User-Friendly Interface
4. Exploring eBook Recommendations from Hyster Challenger Service Manual
  - Personalized Recommendations
  - Hyster Challenger Service Manual User Reviews and Ratings
  - Hyster Challenger Service Manual and Bestseller Lists

5. Accessing Hyster Challenger Service Manual Free and Paid eBooks
  - Hyster Challenger Service Manual Public Domain eBooks
  - Hyster Challenger Service Manual eBook Subscription Services
  - Hyster Challenger Service Manual Budget-Friendly Options
6. Navigating Hyster Challenger Service Manual eBook Formats
  - ePub, PDF, MOBI, and More
  - Hyster Challenger Service Manual Compatibility with Devices
  - Hyster Challenger Service Manual Enhanced eBook Features
7. Enhancing Your Reading Experience
  - Adjustable Fonts and Text Sizes of Hyster Challenger Service Manual
  - Highlighting and Note-Taking Hyster Challenger Service Manual
  - Interactive Elements Hyster Challenger Service Manual
8. Staying Engaged with Hyster Challenger Service Manual
  - Joining Online Reading Communities
  - Participating in Virtual Book Clubs
  - Following Authors and Publishers Hyster Challenger Service Manual
9. Balancing eBooks and Physical Books Hyster Challenger Service Manual
  - Benefits of a Digital Library
  - Creating a Diverse Reading Collection Hyster Challenger Service Manual
10. Overcoming Reading Challenges
  - Dealing with Digital Eye Strain
  - Minimizing Distractions
  - Managing Screen Time
11. Cultivating a Reading Routine Hyster Challenger Service Manual
  - Setting Reading Goals Hyster Challenger Service Manual
  - Carving Out Dedicated Reading Time
12. Sourcing Reliable Information of Hyster Challenger Service Manual
  - Fact-Checking eBook Content of Hyster Challenger Service Manual
  - Distinguishing Credible Sources
13. Promoting Lifelong Learning

- Utilizing eBooks for Skill Development
  - Exploring Educational eBooks
14. Embracing eBook Trends
- Integration of Multimedia Elements
  - Interactive and Gamified eBooks

### **Hyster Challenger Service Manual Introduction**

In today's digital age, the availability of Hyster Challenger Service Manual books and manuals for download has revolutionized the way we access information. Gone are the days of physically flipping through pages and carrying heavy textbooks or manuals. With just a few clicks, we can now access a wealth of knowledge from the comfort of our own homes or on the go. This article will explore the advantages of Hyster Challenger Service Manual books and manuals for download, along with some popular platforms that offer these resources. One of the significant advantages of Hyster Challenger Service Manual books and manuals for download is the cost-saving aspect. Traditional books and manuals can be costly, especially if you need to purchase several of them for educational or professional purposes. By accessing Hyster Challenger Service Manual versions, you eliminate the need to spend money on physical copies. This not only saves you money but also reduces the environmental impact associated with book production and transportation. Furthermore, Hyster Challenger Service Manual books and manuals for download are incredibly convenient. With just a computer or smartphone and an internet connection, you can access a vast library of resources on any subject imaginable. Whether you're a student looking for textbooks, a professional seeking industry-specific manuals, or someone interested in self-improvement, these digital resources provide an efficient and accessible means of acquiring knowledge. Moreover, PDF books and manuals offer a range of benefits compared to other digital formats. PDF files are designed to retain their formatting regardless of the device used to open them. This ensures that the content appears exactly as intended by the author, with no loss of formatting or missing graphics. Additionally, PDF files can be easily annotated, bookmarked, and searched for specific terms, making them highly practical for studying or referencing. When it comes to accessing Hyster Challenger Service Manual books and manuals, several platforms offer an extensive collection of resources. One such platform is Project Gutenberg, a nonprofit organization that provides over 60,000 free eBooks. These books are primarily in the public domain, meaning they can be freely distributed and downloaded. Project Gutenberg offers a wide range of classic literature, making it an excellent resource for literature enthusiasts. Another popular platform for Hyster Challenger Service Manual books and manuals is Open Library. Open Library is an initiative of the Internet Archive, a non-profit organization dedicated to digitizing cultural artifacts and making them accessible to the public. Open Library hosts millions of books, including both public domain works and

contemporary titles. It also allows users to borrow digital copies of certain books for a limited period, similar to a library lending system. Additionally, many universities and educational institutions have their own digital libraries that provide free access to PDF books and manuals. These libraries often offer academic texts, research papers, and technical manuals, making them invaluable resources for students and researchers. Some notable examples include MIT OpenCourseWare, which offers free access to course materials from the Massachusetts Institute of Technology, and the Digital Public Library of America, which provides a vast collection of digitized books and historical documents. In conclusion, Hyster Challenger Service Manual books and manuals for download have transformed the way we access information. They provide a cost-effective and convenient means of acquiring knowledge, offering the ability to access a vast library of resources at our fingertips. With platforms like Project Gutenberg, Open Library, and various digital libraries offered by educational institutions, we have access to an ever-expanding collection of books and manuals. Whether for educational, professional, or personal purposes, these digital resources serve as valuable tools for continuous learning and self-improvement. So why not take advantage of the vast world of Hyster Challenger Service Manual books and manuals for download and embark on your journey of knowledge?

### **FAQs About Hyster Challenger Service Manual Books**

How do I know which eBook platform is the best for me? Finding the best eBook platform depends on your reading preferences and device compatibility. Research different platforms, read user reviews, and explore their features before making a choice. Are free eBooks of good quality? Yes, many reputable platforms offer high-quality free eBooks, including classics and public domain works. However, make sure to verify the source to ensure the eBook credibility. Can I read eBooks without an eReader? Absolutely! Most eBook platforms offer webbased readers or mobile apps that allow you to read eBooks on your computer, tablet, or smartphone. How do I avoid digital eye strain while reading eBooks? To prevent digital eye strain, take regular breaks, adjust the font size and background color, and ensure proper lighting while reading eBooks. What the advantage of interactive eBooks? Interactive eBooks incorporate multimedia elements, quizzes, and activities, enhancing the reader engagement and providing a more immersive learning experience. Hyster Challenger Service Manual is one of the best book in our library for free trial. We provide copy of Hyster Challenger Service Manual in digital format, so the resources that you find are reliable. There are also many Ebooks of related with Hyster Challenger Service Manual. Where to download Hyster Challenger Service Manual online for free? Are you looking for Hyster Challenger Service Manual PDF? This is definitely going to save you time and cash in something you should think about. If you trying to find then search around for online. Without a doubt there are numerous these available and many of them have the freedom. However without

doubt you receive whatever you purchase. An alternate way to get ideas is always to check another Hyster Challenger Service Manual. This method for see exactly what may be included and adopt these ideas to your book. This site will almost certainly help you save time and effort, money and stress. If you are looking for free books then you really should consider finding to assist you try this. Several of Hyster Challenger Service Manual are for sale to free while some are payable. If you arent sure if the books you would like to download works with for usage along with your computer, it is possible to download free trials. The free guides make it easy for someone to free access online library for download books to your device. You can get free download on free trial for lots of books categories. Our library is the biggest of these that have literally hundreds of thousands of different products categories represented. You will also see that there are specific sites catered to different product types or categories, brands or niches related with Hyster Challenger Service Manual. So depending on what exactly you are searching, you will be able to choose e books to suit your own need. Need to access completely for Campbell Biology Seventh Edition book? Access Ebook without any digging. And by having access to our ebook online or by storing it on your computer, you have convenient answers with Hyster Challenger Service Manual To get started finding Hyster Challenger Service Manual, you are right to find our website which has a comprehensive collection of books online. Our library is the biggest of these that have literally hundreds of thousands of different products represented. You will also see that there are specific sites catered to different categories or niches related with Hyster Challenger Service Manual So depending on what exactly you are searching, you will be able to choose ebook to suit your own need. Thank you for reading Hyster Challenger Service Manual. Maybe you have knowledge that, people have search numerous times for their favorite readings like this Hyster Challenger Service Manual, but end up in harmful downloads. Rather than reading a good book with a cup of coffee in the afternoon, instead they juggled with some harmful bugs inside their laptop. Hyster Challenger Service Manual is available in our book collection an online access to it is set as public so you can download it instantly. Our digital library spans in multiple locations, allowing you to get the most less latency time to download any of our books like this one. Merely said, Hyster Challenger Service Manual is universally compatible with any devices to read.

### **Find Hyster Challenger Service Manual :**

[manual paper drill press](#)

~~[manual renault twingo](#)~~

**manual nokia 7610 rh51**

*manual philips perfect care*

**manual of dietetic practice**

[manual of painting and calligraphy jose saramago](#)



[manual pf 6000 atlas copco](#)

[manual of lathe operation atlas](#)

**manual placa madre gigabyte ga g41mt s2pt**

[manual ontrack disk manager](#)

**manual nokia c5 00 espanol**

**manual on meat inspection for developing countries**

**manual operacion compresor atlas copco xas 185**

[manual nissan primastar 08](#)

[manual opel corsa workshop manual](#)

### **Hyster Challenger Service Manual :**

[the history of cinema a very short introduction very short](#) - Aug 03 2022

web jan 23 2018 in this very short introduction nowell smith looks at the defining moments of the industry from silent to sound black and white to color and considers its genres from intellectual art house to mass market entertainment

**the history of cinema a very short introduction google books** - Feb 09 2023

web oxford university press 2017 art 119 pages cinema was the first and is arguably still the greatest of the industrialized art forms that came to dominate the cultural life of the twentieth

**the history of cinema a very short introduction** - Feb 26 2022

web provides an engaging overview of the defining moments in the history of cinema explores cultural aesthetic and technological changes in film such the history of cinema a very short introduction isbn 9780198701774 price incl tax 1 793

[the history of cinema a very short introduction very short](#) - Jun 01 2022

web the history of cinema a very short introduction very short introductions paperback illustrated 23 nov 2017 cinema was the first and is arguably still the greatest of the industrialized art forms that came to

[the history of cinema a very short introduction paperback](#) - Sep 04 2022

web very short introductions price 8 99 in this very short introduction geoffrey nowell smith defines the field of cinema and explores its fascinating history within the cultural and aesthetic sphere considering the influences of the other art forms from which it arose he looks at how technological advances have opened up new horizons for

[the history of cinema a very short introduction oxford academic](#) - Oct 05 2022

web nov 23 2017 index the history of cinema a very short introduction oxford academic end matter index published

november 2017 split view cite permissions share subject history of science and technology social and cultural history film

series very short introductions general index abc associated british cinemas 36

**the history of cinema a very short introduction geoffrey** - Jan 28 2022

web cinema developed against the backdrop of the two world wars and over the years has seen smaller wars revolutions and profound social changes its history reflects this changing landscape and more than any other art form developments in technology

*the history of cinema a very short introduction google play* - Nov 06 2022

web in this very short introduction nowell smith looks at the defining moments of the industry from silent to sound black and white to colour and considers its genres from intellectual art house to mass market entertainment

the history of cinema a very short introduction very short - Jun 13 2023

web in this very short introduction nowell smith looks at the defining moments of the industry from silent to sound black and white to colour and considers its genres from intellectual art house to mass market entertainment

**the history of cinema a very short introduction very short** - Mar 30 2022

web nov 16 2017 the history of cinema a very short introduction very short introductions 1st edition kindle edition by geoffrey nowell smith author format kindle edition 60 ratings see all formats and editions kindle 7 49 read with our free app paperback 7 77 11 95 11 used from 7 58 31 new from 6 60

*a very short history british cinema a very short introduction* - Dec 27 2021

web oct 20 2022 dividing history into decades can be facile but it does work quite neatly for british 20th century history and for cinema as part of it the first world war formally ended in 1919 the second began in 1939 and silent cinema came to a definitive end in most countries britain included in 1929

**cinema as art form the history of cinema a very short introduction** - Jul 02 2022

web nowell smith geoffrey cinema as art form the history of cinema a very short introduction very short introductions oxford 2017 online edn oxford academic 23 nov 2017 doi org 10 1093 actrade 9780198701774 003 0004 accessed 9

*the history of cinema a very short introduction oxford academic* - Aug 15 2023

web nov 23 2017 the history of cinema a very short introduction looks at the defining moments of the industry from silent to sound black and white to colour and considers its genres from intellectual art house to mass market entertainment keywords cable television censorship cinema colour digital film technology

**technology the history of cinema a very short introduction** - Dec 07 2022

web abstract technology considers a range of technological developments that were important in the evolution of cinema making images move the introduction and synchronization of sound colour film widescreen and stereo sound animation and special effects and the digital revolution which has affected the cinema at every level

*a very short history of cinema national science and media* - Mar 10 2023

web jun 18 2020 learn about the history and development of cinema from the kinetoscope in 1891 to today s 3d revival in our very short history of cinema

*the history of cinema a very short introduction nowell smith* - Jul 14 2023

web cinema developed against the backdrop of the two world wars and over the years has seen smaller wars revolutions and profound social changes its history reflects this changing landscape and more than any other art form developments in technology

*cinema and the outer world the history of cinema a very short* - Apr 30 2022

web collection very short introductions the world in which cinema grew up was one of constant change not always for the better there was technological change of which cinema itself was part there were wars and revolutions leading to changes in the world order empires rose and fell

the history of cinema a very short introduction google books - Jan 08 2023

web cinema developed against the backdrop of the two world wars and over the years has seen smaller wars revolutions and profound social changes with its history reflecting this the history of cinema a very short introduction looks at the defining moments of the industry from silent to sound black and white to colour and considers its

the history of cinema a very short introduction academia edu - Apr 11 2023

web up until the 1970s and indeed later the history of cinema has mainly taken the form of a history of films preferably famous ones with a sidelong glance at their makers producers writers directors actors and the conditions under which they got to be made

*introduction the history of cinema a very short introduction* - May 12 2023

web the introduction explains how there is no single template for how cinema history is to be written but this vsi provides an idea of what it took for cinema to become the major art of the 20th century keywords cable television cinema digital film imaginary technology

youth without god by odon von horvath 9781612191195 - Dec 03 2022

web youth without god by odon von horvath 9781612191195 penguinrandomhouse com books written in exile while in flight from the nazis this dark bizarre evocation of everyday life under fascism is available for the first time in thirty

**youth without god based on the novel amazon co uk** - Jul 10 2023

web buy youth without god based on the novel main by hampton christopher von horvath odon isbn 9780571358229 from amazon s book store everyday low prices and free delivery on eligible orders

*youth without god based on the novel paperback* □□□ □□□□□□ - Jun 28 2022

web buy youth without god based on the novel online on amazon eg at best prices fast and free shipping free returns cash on delivery available on eligible purchase youth without god based on the novel buy online at best price in egypt

[youth without god based on the novel softcover abebooks](#) - Mar 06 2023

web youth without god based on the novel by hampton christopher isbn 10 0571358225 isbn 13 9780571358229 faber faber 2019 softcover

**youth without god based on the novel kindle edition amazon in** - Jan 04 2023

web youth without god based on the novel ebook hampton christopher amazon in kindle store

**youth without god by odon von horvath penguin books** - Nov 02 2022

web jun 15 2012 this last book by Ödön von Horváth one of the 20th century's great but forgotten writers is a dark fable about guilt fate and the individual conscience an unnamed narrator in an unnamed country is a schoolteacher with a safe job with a pension at the end of it but when he reprimands a student for a racist comment he is

**youth without god based on the novel google play** - Apr 07 2023

web youth without god based on the novel ebook written by christopher hampton read this book using google play books app on your pc android ios devices download for offline reading highlight

[youth without god based on the novel english edition by](#) - May 28 2022

web sep 7 2023 may 22nd 2020 youth without god based on the novel by odoen von horvath hampton christopher book details price 24 99 isbn13 9780571358229 published not specified see more information below

[youth without god based on the novel english edit american](#) - Apr 26 2022

web this youth without god based on the novel english edit by online you might not require more become old to spend to go to the books introduction as with ease as search for them in some cases you likewise pull off not discover the pronouncement

youth without god based on the novel english edit that you are looking for it will completely

[youth without god based on the novel goodreads](#) - Oct 13 2023

web read reviews from the world's largest community for readers the old man started to talk about the trial he blamed everyone involved including the teacher

**youth without god based on the novel overdrive** - Jun 09 2023

web oct 10 2019 this powerful evocation of everyday life in the shadow of fascism also garnered praise from Hermann Hesse Franz Werfel and Joseph Roth who called Horváth the most clear-sighted chronicler of his age christopher hampton's

adaptation of youth without god was commissioned by and performed in Vienna at the Theater in der

**youth without god review anti nazi drama calls out liberal bystanders** - Sep 12 2023

web sep 24 2019 the hero simply known as the teacher is a mild-mannered figure who tries to instill a knowledge of history

and geography into a group of brutish 15 year olds the crisis comes when he is severely

*youth without god based on the novel amazon com* - Aug 11 2023

web sep 19 2019 it was judged by thomas mann to be the best novel of recent years this powerful evocation of everyday life in the shadow of fascism also garnered praise from hermann hesse franz werfel and joseph roth who called horvth the most clear sighted chronicler of his age christopher hampton s adaptation of youth without god was

**youth without god based on the novel the storygraph** - Jul 30 2022

web youth without god based on the novel christopher hampton Ödön von horváth 96 pages missing pub info isbn uid none format not specified language english publisher not specified publication date not specified fiction classics reflective medium paced to read read currently

[browse editions for youth without god based on the novel](#) - Aug 31 2022

web youth without god based on the novel christopher hampton Ödön von horváth 96 pages

*youth without god based on the novel graham bartram copy* - Mar 26 2022

web perfectly formed and there is no god or old age to concern them without wars or conflicts to threaten them patty gray and bill hopper are content with their present world and eager to live just as their parents did or are they youth without youth and other novellas mircea eliade 1988 three novellas set in romania

*youth without god based on the novel the portobello bookshop* - Oct 01 2022

web published in 1937 jugend ohne gott is the penultimate novel by oedoen von horvath it was judged by thomas mann to be the best novel of recent years this powerful evocation of everyday life in the shadow of fascism also garnered praise from hermann hesse franz werfel and joseph roth who called horvath the most clear sighted chronicler of

**youth without god based on the novel graham bartram** - Feb 22 2022

web you could buy guide youth without god based on the novel or get it as soon as feasible you could speedily download this youth without god based on the novel after getting deal

[youth without god based on the novel abebooks](#) - Feb 05 2023

web youth without god based on the novel by hampton christopher at abebooks co uk isbn 10 0571358225 isbn 13 9780571358229 faber faber 2019 softcover

**youth without god neversink by Ödön von horváth goodreads** - May 08 2023

web this last book by Ödön von horváth one of the 20th century s great but forgotten writers is a dark fable about guilt fate and the individual conscience an unnamed narrator in an unnamed country is a schoolteacher with a safe job with a pension at the end of it

[jarrett zimmer killoran answer key us history copy logb fonedog](#) - Aug 25 2022

web oct 12 2023 within the captivating pages of us history since 1877 jarrett zimmer  
*questions world history jarrett zimmer killoran answers* - Nov 15 2021

mastering u s history 2016 2017 killoran zimmer jarrett - Dec 29 2022

web jun 6 2023 you to acquire the most less latency times to download any of our books

**jarrett zimmer killoran world history answers full pdf** - Feb 16 2022

web inquiry based lessons in world history jarrett zimmer killoran us history downloaded from a3 phasescientific com by  
guest brock aydin applications in interventional cardiology routledge excerpt from house of bierbauer two hundred years of  
family history 1742 1942 we have made an effort in the table of contents to list each part

**questions world history jarrett zimmer killoran answers shyon** - May 22 2022

web questions world history jarrett zimmer killoran answers edthoughts mastering u s

us history since 1877 jarrett zimmer killoran download only - Jul 24 2022

web jarrett zimmer killoran us history answers the postal record inquiry based

ohio in the united states zimmer jarrett killoran - Dec 17 2021

web jun 9 2023 invest tiny get older to read this on line notice questions world history

jarrett zimmer killoran us history answer key pdf thucydides copy - Nov 27 2022

web jan 1 2000 a quick review of global history paperback january 1 2000 by james  
*vitalcenter2010* - Mar 20 2022

web mastering u s history the key to understanding u s history and government world

**download free jarrett zimmer killoran us history answers pdf** - Jun 03 2023

web 2 jarrett zimmer killoran answer key us history 29 08 2022 likely future directions

ebook jarrett zimmer killoran us history answers - Jan 30 2023

web jan 1 2016 mastering u s history 2016 2017 killoran zimmer jarrett on

**jarrett us history chapter 12 america in world war ii** - Feb 28 2023

web jarrett zimmer killoran us history answers the knights of columbus in peace and

**jarrett zimmer killoran us history answers full pdf** - Aug 05 2023

web mastering u s history authors james killoran stuart zimmer mark jarrett

*jarrett zimmer killoran us history a3 phasescientific* - Jan 18 2022

web jan 1 2014 publisher jarrett publishing company january 1 2014 language

**jarrett zimmer killoran us history answer key pdf pdf helpdesk** - Apr 01 2023

web 1 making concessions to an aggressor in the hopes of avoiding war 2 britain s leader  
[jarrett zimmer killoran us history answers copy](#) - Jun 22 2022

web you could purchase guide questions world history jarrett zimmer killoran answers  
[jarrett zimmer killoran answer key pdf old talentsprint](#) - Sep 25 2022

web jarrett zimmer killoran answer key us history 1 jarrett zimmer killoran answer  
[mastering u s history james killoran stuart zimmer mark](#) - Jul 04 2023

web sep 25 2023 publication jarrett zimmer killoran us history answers pdf that you are looking for it will entirely squander  
the time however below gone you visit this web page it will be so unconditionally simple to get as without difficulty as  
download guide jarrett zimmer killoran us history answers pdf it will not understand many epoch as we tell  
[mastering the teks in united states history since](#) - Oct 07 2023

web jarrett zimmer killoran us history answer key us history since 1877 answer key  
[jarrett zimmer killoran us history answer key 2023](#) - Sep 06 2023

web jarrett zimmer killoran us history answers jarrett zimmer killoran us history  
**questions world history jarrett zimmer killoran answers pdf** - Apr 20 2022

web jan 21 2023 jarrett zimmer killoran us history answers the key to understanding  
**a quick review of global history james killoran stuart zimmer** - Oct 27 2022

web jarrett zimmer killoran answer key united states history grade 8 the dark wild  
[us history jarrett book answer key answers for 2023 exams](#) - May 02 2023

web aug 17 2023 as this jarrett zimmer killoran us history answer key pdf pdf it ends