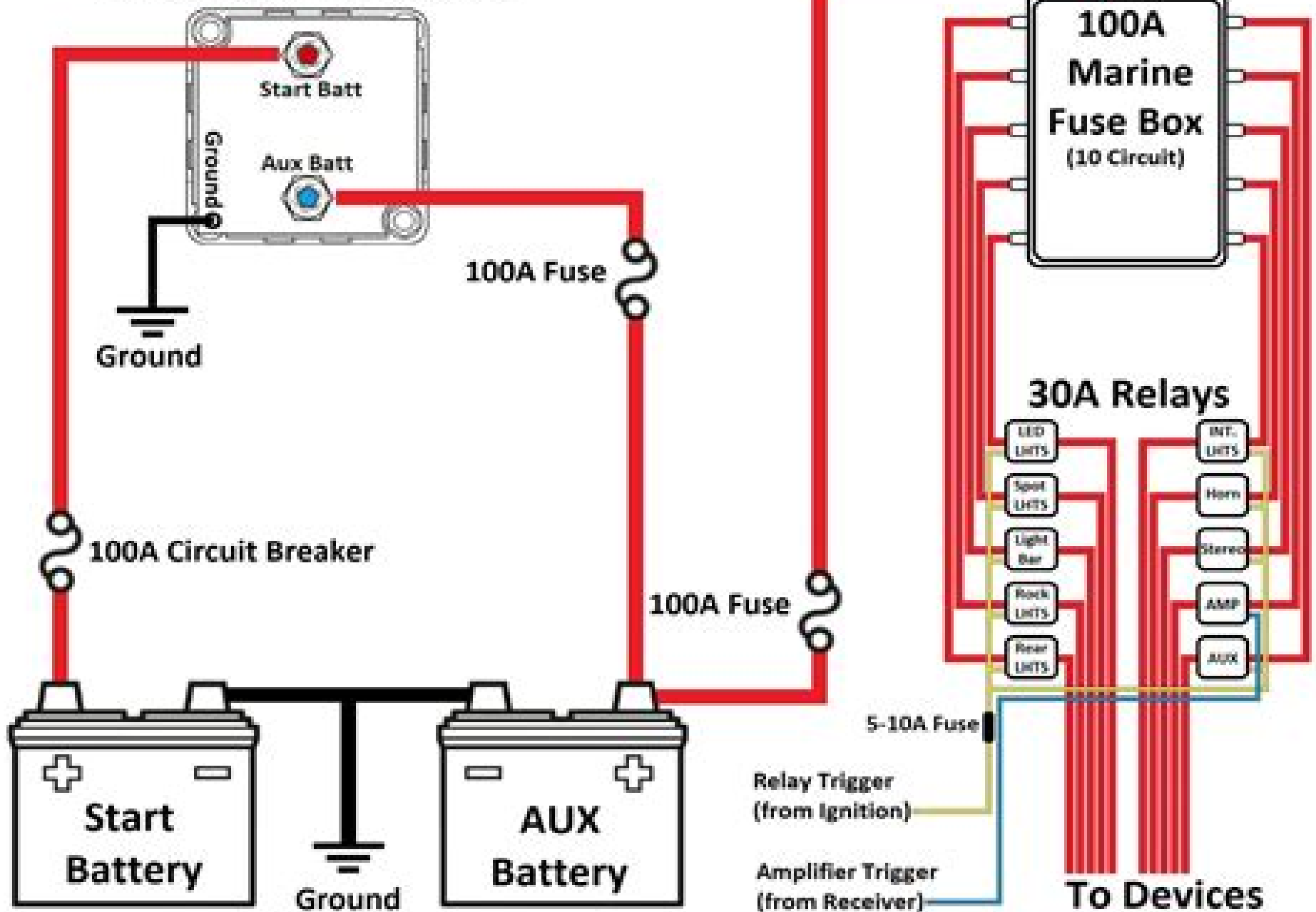


# Smart Battery Isolator



# How To Wire Outboard Battery Isolator Wiring Diagram Outboard

**SB Merriam**



## **How To Wire Outboard Battery Isolator Wiring Diagram Outboard:**

Right here, we have countless ebook **How To Wire Outboard Battery Isolator Wiring Diagram Outboard** and collections to check out. We additionally have the funds for variant types and afterward type of the books to browse. The satisfactory book, fiction, history, novel, scientific research, as skillfully as various supplementary sorts of books are readily handy here.

As this How To Wire Outboard Battery Isolator Wiring Diagram Outboard, it ends happening brute one of the favored book How To Wire Outboard Battery Isolator Wiring Diagram Outboard collections that we have. This is why you remain in the best website to look the unbelievable book to have.

[https://staging.conocer.cide.edu/public/virtual-library/HomePages/i\\_give\\_you\\_my\\_world.pdf](https://staging.conocer.cide.edu/public/virtual-library/HomePages/i_give_you_my_world.pdf)

## **Table of Contents How To Wire Outboard Battery Isolator Wiring Diagram Outboard**

1. Understanding the eBook How To Wire Outboard Battery Isolator Wiring Diagram Outboard
  - The Rise of Digital Reading How To Wire Outboard Battery Isolator Wiring Diagram Outboard
  - Advantages of eBooks Over Traditional Books
2. Identifying How To Wire Outboard Battery Isolator Wiring Diagram Outboard
  - Exploring Different Genres
  - Considering Fiction vs. Non-Fiction
  - Determining Your Reading Goals
3. Choosing the Right eBook Platform
  - Popular eBook Platforms
  - Features to Look for in an How To Wire Outboard Battery Isolator Wiring Diagram Outboard
  - User-Friendly Interface
4. Exploring eBook Recommendations from How To Wire Outboard Battery Isolator Wiring Diagram Outboard
  - Personalized Recommendations
  - How To Wire Outboard Battery Isolator Wiring Diagram Outboard User Reviews and Ratings
  - How To Wire Outboard Battery Isolator Wiring Diagram Outboard and Bestseller Lists
5. Accessing How To Wire Outboard Battery Isolator Wiring Diagram Outboard Free and Paid eBooks

- How To Wire Outboard Battery Isolator Wiring Diagram Outboard Public Domain eBooks
  - How To Wire Outboard Battery Isolator Wiring Diagram Outboard eBook Subscription Services
  - How To Wire Outboard Battery Isolator Wiring Diagram Outboard Budget-Friendly Options
6. Navigating How To Wire Outboard Battery Isolator Wiring Diagram Outboard eBook Formats
    - ePub, PDF, MOBI, and More
    - How To Wire Outboard Battery Isolator Wiring Diagram Outboard Compatibility with Devices
    - How To Wire Outboard Battery Isolator Wiring Diagram Outboard Enhanced eBook Features
  7. Enhancing Your Reading Experience
    - Adjustable Fonts and Text Sizes of How To Wire Outboard Battery Isolator Wiring Diagram Outboard
    - Highlighting and Note-Taking How To Wire Outboard Battery Isolator Wiring Diagram Outboard
    - Interactive Elements How To Wire Outboard Battery Isolator Wiring Diagram Outboard
  8. Staying Engaged with How To Wire Outboard Battery Isolator Wiring Diagram Outboard
    - Joining Online Reading Communities
    - Participating in Virtual Book Clubs
    - Following Authors and Publishers How To Wire Outboard Battery Isolator Wiring Diagram Outboard
  9. Balancing eBooks and Physical Books How To Wire Outboard Battery Isolator Wiring Diagram Outboard
    - Benefits of a Digital Library
    - Creating a Diverse Reading Collection How To Wire Outboard Battery Isolator Wiring Diagram Outboard
  10. Overcoming Reading Challenges
    - Dealing with Digital Eye Strain
    - Minimizing Distractions
    - Managing Screen Time
  11. Cultivating a Reading Routine How To Wire Outboard Battery Isolator Wiring Diagram Outboard
    - Setting Reading Goals How To Wire Outboard Battery Isolator Wiring Diagram Outboard
    - Carving Out Dedicated Reading Time
  12. Sourcing Reliable Information of How To Wire Outboard Battery Isolator Wiring Diagram Outboard
    - Fact-Checking eBook Content of How To Wire Outboard Battery Isolator Wiring Diagram Outboard
    - Distinguishing Credible Sources
  13. Promoting Lifelong Learning
    - Utilizing eBooks for Skill Development

- Exploring Educational eBooks
14. Embracing eBook Trends
- Integration of Multimedia Elements
  - Interactive and Gamified eBooks

### **How To Wire Outboard Battery Isolator Wiring Diagram Outboard Introduction**

In this digital age, the convenience of accessing information at our fingertips has become a necessity. Whether its research papers, eBooks, or user manuals, PDF files have become the preferred format for sharing and reading documents. However, the cost associated with purchasing PDF files can sometimes be a barrier for many individuals and organizations. Thankfully, there are numerous websites and platforms that allow users to download free PDF files legally. In this article, we will explore some of the best platforms to download free PDFs. One of the most popular platforms to download free PDF files is Project Gutenberg. This online library offers over 60,000 free eBooks that are in the public domain. From classic literature to historical documents, Project Gutenberg provides a wide range of PDF files that can be downloaded and enjoyed on various devices. The website is user-friendly and allows users to search for specific titles or browse through different categories. Another reliable platform for downloading How To Wire Outboard Battery Isolator Wiring Diagram Outboard free PDF files is Open Library. With its vast collection of over 1 million eBooks, Open Library has something for every reader. The website offers a seamless experience by providing options to borrow or download PDF files. Users simply need to create a free account to access this treasure trove of knowledge. Open Library also allows users to contribute by uploading and sharing their own PDF files, making it a collaborative platform for book enthusiasts. For those interested in academic resources, there are websites dedicated to providing free PDFs of research papers and scientific articles. One such website is Academia.edu, which allows researchers and scholars to share their work with a global audience. Users can download PDF files of research papers, theses, and dissertations covering a wide range of subjects. Academia.edu also provides a platform for discussions and networking within the academic community. When it comes to downloading How To Wire Outboard Battery Isolator Wiring Diagram Outboard free PDF files of magazines, brochures, and catalogs, Issuu is a popular choice. This digital publishing platform hosts a vast collection of publications from around the world. Users can search for specific titles or explore various categories and genres. Issuu offers a seamless reading experience with its user-friendly interface and allows users to download PDF files for offline reading. Apart from dedicated platforms, search engines also play a crucial role in finding free PDF files. Google, for instance, has an advanced search feature that allows users to filter results by file type. By specifying the file type as "PDF," users can find websites that offer free PDF downloads on a specific topic. While downloading How To Wire Outboard Battery Isolator Wiring Diagram Outboard free PDF files is convenient, its important to

note that copyright laws must be respected. Always ensure that the PDF files you download are legally available for free. Many authors and publishers voluntarily provide free PDF versions of their work, but its essential to be cautious and verify the authenticity of the source before downloading How To Wire Outboard Battery Isolator Wiring Diagram Outboard. In conclusion, the internet offers numerous platforms and websites that allow users to download free PDF files legally. Whether its classic literature, research papers, or magazines, there is something for everyone. The platforms mentioned in this article, such as Project Gutenberg, Open Library, Academia.edu, and Issuu, provide access to a vast collection of PDF files. However, users should always be cautious and verify the legality of the source before downloading How To Wire Outboard Battery Isolator Wiring Diagram Outboard any PDF files. With these platforms, the world of PDF downloads is just a click away.

### **FAQs About How To Wire Outboard Battery Isolator Wiring Diagram Outboard Books**

How do I know which eBook platform is the best for me? Finding the best eBook platform depends on your reading preferences and device compatibility. Research different platforms, read user reviews, and explore their features before making a choice. Are free eBooks of good quality? Yes, many reputable platforms offer high-quality free eBooks, including classics and public domain works. However, make sure to verify the source to ensure the eBook credibility. Can I read eBooks without an eReader? Absolutely! Most eBook platforms offer web-based readers or mobile apps that allow you to read eBooks on your computer, tablet, or smartphone. How do I avoid digital eye strain while reading eBooks? To prevent digital eye strain, take regular breaks, adjust the font size and background color, and ensure proper lighting while reading eBooks. What the advantage of interactive eBooks? Interactive eBooks incorporate multimedia elements, quizzes, and activities, enhancing the reader engagement and providing a more immersive learning experience. How To Wire Outboard Battery Isolator Wiring Diagram Outboard is one of the best book in our library for free trial. We provide copy of How To Wire Outboard Battery Isolator Wiring Diagram Outboard in digital format, so the resources that you find are reliable. There are also many Ebooks of related with How To Wire Outboard Battery Isolator Wiring Diagram Outboard. Where to download How To Wire Outboard Battery Isolator Wiring Diagram Outboard online for free? Are you looking for How To Wire Outboard Battery Isolator Wiring Diagram Outboard PDF? This is definitely going to save you time and cash in something you should think about.

**Find How To Wire Outboard Battery Isolator Wiring Diagram Outboard :**

**i give you my world**

**i marmi del carso triestino**

**i know i should exercise but 7 steps to removing your but from exercise**

**i love you more than**

i cant take you anywhere

i take great pleasure

i mention the garden for clarity

**i laugh i cry**

**i drive a dump truck**

**i remember my teacher**

i once had a friend from the middle east

i know why i brush my teeth

**i know a riddle**

i feel angry

i heard god laughing renderings of hafiz

### **How To Wire Outboard Battery Isolator Wiring Diagram Outboard :**

*the countdown conspiracy by katie slivensky google play* - Jan 08 2023

web the countdown conspiracy ebook written by katie slivensky read this book using google play books app on your pc android ios devices download for offline reading highlight bookmark or take notes while you read the countdown conspiracy

**the countdown conspiracy amazon com** - Jul 14 2023

web aug 1 2017 thrilling funny and fast paced the countdown conspiracy is a very appealing middle grade read the main cast of characters while all geniuses ring true to early teens especially when dealing with self doubt friendship issues insecurities crushes and playful senses of humor

the countdown conspiracy kindle edition amazon co uk - Jan 28 2022

web katie slivensky is the critically acclaimed author of middle grade sci fi adventures the countdown conspiracy and the seismic seven she is a professional science educator and enthusiast who has worked in zoos and museums since age 11

**the countdown conspiracy katie slivensky google books** - May 12 2023

web aug 1 2017 get ready to blast off with this high action high stakes middle grade adventure that s perfect for fans of chris grabenstein and peter lerangis miranda regent can t believe she was just chosen as

the countdown conspiracy kirkus reviews - Feb 09 2023



web aug 1 2017 the countdown conspiracy by katie slivensky release date aug 1 2017 a straightforward read for kids not already well versed in mystery conventions

[the countdown conspiracy harpercollins](#) - Aug 03 2022

web may 1 2018 get ready to blast off with this high action high stakes middle grade adventure that s perfect for fans of chris grabenstein and peter lerangis miranda regent can t believe she was just chosen as one of six kids from around the world to train for the first ever mission to mars

**the countdown conspiracy by katie slivensky overdrive** - Feb 26 2022

web aug 1 2017 the countdown conspiracy ebook by katie slivensky read a sample sign up to save your library with an overdrive account you can save your favorite libraries for at a glance information about availability find out more about overdrive accounts save not today format ebook isbn 9780062462602 author katie slivensky

**the countdown conspiracy novel study unit tpt** - Apr 30 2022

web description this is the first novel study on tpt for the countdown conspiracy by katie slivensky right now this novel study unit is only available in a printable version you get 50 pages of student resources plus an answer key

**the countdown conspiracy slivensky katie author free** - Jun 13 2023

web language english 327 pages 22 cm six kids from around the world have been chosen for the first ever mission to mars and miranda regent is one of them but as soon as the

[the countdown conspiracy on apple books](#) - Dec 27 2021

web the countdown conspiracy on apple books kids 2017

[the countdown conspiracy slivensky katie amazon com tr](#) - Aug 15 2023

web the countdown conspiracy slivensky katie amazon com tr Çerez tercihlerinizi seçin alışveriş deneyiminizi geliştirmek hizmetlerimizi sunmak müşterilerin hizmetlerimizi nasıl kullandığını anlayarak iyileştirmeler yapabilmek ve tanıtımları gösterebilmek için çerezler ve benzeri araçları kullanmaktayız

**the countdown conspiracy paperback barnes noble** - Dec 07 2022

web may 1 2018 get ready to blast off with this high action high stakes middle grade adventure that s perfect for fans of chris grabenstein and peter lerangis miranda regent can t believe she was just chosen as one of six kids from around the world to train for the first ever mission to mars

[the countdown conspiracy by katie slivensky ebook scribd](#) - Jun 01 2022

web read the countdown conspiracy by katie slivensky with a free trial read millions of ebooks and audiobooks on the web ipad iphone and android

[the countdown conspiracy paperback 4 may 2018](#) - Jul 02 2022

web thrilling funny and fast paced the countdown conspiracy is a very appealing middle grade read the main cast of characters while all geniuses ring true to early teens especially when dealing with self doubt friendship issues insecurities crushes and playful senses of humor

**the countdown conspiracy hardcover 1 aug 2017** - Apr 11 2023

web katie slivensky has worked and volunteered at zoos and museums since age eleven she grew up in michigan and currently lives just outside of boston she is the author of the seismic seven and the countdown conspiracy find her online at [katieslivensky.com](http://katieslivensky.com)

*katie slivensky author of the countdown conspiracy goodreads* - Oct 05 2022

web member since february 2016 edit data katie slivensky is the critically acclaimed author of middle grade sci fi adventures the countdown conspiracy and the seismic seven harpercollins childrens as well as an upcoming picture book based on natural history this wolf was different with illustrator hannah salyer beach lane books

**the countdown conspiracy arcadia public library** - Mar 30 2022

web the countdown conspiracy kindle average rating author

*the countdown conspiracy kindle edition amazon.com* - Sep 04 2022

web aug 1 2017 the countdown conspiracy kindle edition by slivensky katie download it once and read it on your kindle device pc phones or tablets use features like bookmarks note taking and highlighting while reading the countdown conspiracy

**amazon.com customer reviews the countdown conspiracy** - Mar 10 2023

web thrilling funny and fast paced the countdown conspiracy is a very appealing middle grade read the main cast of characters while all geniuses ring true to early teens especially when dealing with self doubt friendship issues insecurities crushes and playful senses of humor

**the countdown conspiracy katie slivensky google books** - Nov 06 2022

web the countdown conspiracy katie slivensky harpercollins aug 1 2017 juvenile fiction 336 pages 0 reviews reviews aren't verified but google checks for and removes fake content when it's identified

[the classic guide to better writing harpercollins](#) - Jul 21 2022

web may 24 1996 featuring hundreds of exercises and written in a relaxed entertaining style this is the perfect aid for the many americans who wish to improve their communication skills in both their business and personal lives every phase of writing is addressed in this authoritative practical guide

[the classic guide to better writing step by step techniques](#) - Apr 29 2023

web may 24 1996 the classic guide to better writing step by step techniques and exercises to write simply clearly and

correctly rudolf flesch harper collins may 24 1996 language arts

**the classic guide to better writing step by step techniques** - Mar 29 2023

web may 24 1996 books add to wishlist the classic guide to better writing step by step techniques and exercises to write simply clearly and correctly by rudolf flesch 2 0 write a review paperback 50th anniversary 13 99 ship this item qualifies for free shipping choose expedited shipping at checkout for delivery by monday november 6

[the classic guide to better writing step by step techniques](#) - Jun 19 2022

web the classic guide to better writing step by step techniques and exercises to write simply clearly and correctly paperback illustrated 24 may 1996 by rudolf flesch author 4 5 4 5 out of 5 stars 111 ratings

[9780062730480 the classic guide to better writing step by step](#) - Oct 24 2022

web abebooks com the classic guide to better writing step by step techniques and exercises to write simply clearly and correctly 9780062730480 by flesch rudolf and a great selection of similar new used and collectible books available now at great prices

**the classic guide to better writing step by step techniques** - Oct 04 2023

web the classic guide to better writing step by step techniques and exercises to write simply clearly and correctly flesch rudolf amazon sg books

**free the classic guide to better writing step by step** - Jul 01 2023

web the classic guide to better writing step by step techniques and exercises to write simply clearly and correctly in your write mind may 23 2021 a toolbox of therapeutic and creative writing exercises to help you feel happier think more clearly be kind to yourself solve problems clarify goals uncover hidden beliefs and fictionalise your life

*the classic guide to better writing step by step techniques* - Mar 17 2022

web buy the classic guide to better writing step by step techniques and exercises to write simply clearly and correctly by rudolf flesch online at alibris we have new and used copies available in 1 editions starting at 1 49 shop now

**classic guide to better writing the step by step techniques** - Dec 26 2022

web buy classic guide to better writing the step by step techniques and exercises to write simply clearly and correctly new by flesch rudolf isbn 9780062730480 from amazon s book store everyday low prices and free delivery on eligible orders

**the classic guide to better writing step by step techn** - Aug 02 2023

web jul 3 1996 3 90 87 ratings6 reviews every phase of writing is addressed in this authoritative practical guide specific topics organizing information discovering a personal voice enhancing readability and checking grammar and spelling

**the classic guide to better writing step by step techniques** - May 31 2023

web the classic guide to better writing step by step techniques and exercises to write simply clearly and correctly calligraphy

alphabets made easy sep 09 2021 this book is a totally new concept in learning and improving calligraphy skills it presents a new lettering challenge for each day of the year 365 in all plus a bonus for leap day

*improve your writing skills with this classic guide step by step* - Feb 25 2023

web get the classic guide to better writing and learn how to write simply clearly and correctly paperback available now ubuy singapore global store

how to write better 6 techniques to improve your writing - Apr 17 2022

web sep 10 2021 how to write better 6 techniques to improve your writing written by masterclass last updated sep 10 2021 7 min read as a writer it s easy to get stuck in your own ways however adopting new techniques in your writing can help you develop your creative style as a writer it s easy to get stuck in your own ways

**the classic guide to better writing step by step techniques** - Jan 27 2023

web may 24 1996 the classic guide to better writing step by step techniques and exercises to write simply clearly and correctly flesch rudolf 9780062730480 books amazon ca

amazon com customer reviews the classic guide to better writing step - Sep 22 2022

web find helpful customer reviews and review ratings for the classic guide to better writing step by step techniques and exercises to write simply clearly and correctly at amazon com read honest and unbiased product reviews from our users

**the classic guide to better writing step by step techniques** - Aug 22 2022

web buy the classic guide to better writing step by step techniques and exercises to write simply clearly and correctly by rudolf flesch online at alibris we have new and used copies available in 0 edition starting at shop now

**the classic guide to better writing book by rudolf flesch** - May 19 2022

web buy a cheap copy of the classic guide to better writing book by rudolf flesch fifty years ago rudolf flesch and abraham lass wrote this handbook to teach people how to write more effectively a half century later skilled and novice writers free shipping on all orders over 15

the classic guide to better writing step by step techniques - Feb 13 2022

web begin today the change in your life will be unforgettable the negro motorist green book vintage pinker has a lot of ideas and sometimes controversial opinions about writing and the classic guide to better writing step by step techniques and exercises to write simply clearly and correctly 3

*the classic guide to better writing 50th anniversary edition* - Nov 24 2022

web the classic guide to better writing 50th anniversary edition flesch rudolf lass a h this handbook first published 50 years ago is designed to teach individuals how to write more effectively it offers step by step techniques and exercises to

*the classic guide to better writing step by step techniques* - Sep 03 2023

web may 24 1996 the classic guide to better writing step by step techniques and exercises to write simply clearly and correctly paperback may 24 1996 by rudolf flesch author 4 5 4 5 out of 5 stars 117 ratings

section 2 reinforcement how elements bond answers book - Aug 02 2022

web lyrical pages of section 2 reinforcement how elements bond answers a interesting work of literary beauty that impulses with fresh feelings lies an unique journey waiting to be embarked upon penned by a virtuoso wordsmith this magical opus manuals visitors on a psychological odyssey softly revealing the latent potential and profound affect

section 2 reinforcement how elements bond answers copy - Sep 03 2022

web declaration section 2 reinforcement how elements bond answers that you are looking for it will unquestionably squander the time however below once you visit this web page it will be fittingly very easy to get as competently as download guide

section 2 reinforcement how elements bond answers it will not put up with many grow old as

**section 2 reinforcement types of bonds answer key** - Aug 14 2023

web aug 13 2023 sodium chloride nacl or table salt is an excellent example of ionic bonding metallic bonds finally metallic bonds which exist in metals involve a sea of shared electrons surrounding positive ions section 2 reinforcement types of bonds answer key a vital learning tool

**atomic structure and chemical bonds pc mac** - Mar 09 2023

web from metals of groups 1 and 2 and nonmetals in groups 16 and 17 dissolve in water to form ions acids and bases also form ions in solution although acids and bases contain covalent bonds bonds in which electrons are shared acids form the hydronium ion  $\text{H}_3\text{O}^+$  while bases form the hydroxide ion  $\text{OH}^-$  in water

*chapter 2 reinforcement how elements bond answer key* - May 11 2023

web often fade in to obscurity eclipsed by the constant onslaught of sound and distractions yet situated within the musical pages of chapter 2 reinforcement how elements bond answer key a fascinating function of literary elegance that impulses with raw emotions lies an unique journey waiting to be embarked upon

**reinforcement section 2 types of bonds answers** - Apr 29 2022

web types of bonds answers reinforcement section 2 types of bonds answers section 2 types of bonds page 5 19 section 2 reinforcement types of bonds answers types of steel reinforcement bars 1 section 2 reinforcement types of bonds answers 2 3 reaction force 4 action force 5 the force also will be 500 n because action reaction

**section 2 reinforcement how elements bond answers** - Jul 01 2022

web reinforcement how elements bond answers is nearby in our digital library an online admission to it is set as public appropriately you can download it instantly our digital library saves in merged countries allowing you to get the most less latency period to download any of our books bearing in mind this one

### **chemical bonds section 2 types of bonds flashcards** - Jun 12 2023

web study with quizlet and memorize flashcards containing terms like an is a charged particle because it now has either more or fewer electrons than protons when an atom an electron it becomes a positively charged ion when an atom an electron it becomes a negatively charged ion and more

### free section 2 reinforcement how elements bond answers - Feb 08 2023

web section 2 reinforcement how elements bond answers the nature of the surface chemical bond aug 29 2022 compounds of the transition elements involving metal metal bonds oct 07 2020 emphasis is on metal metal bonds in coordination compounds and organometallic complexes halides and oxides factors that influence

### **section 2 reinforcement types of bonds answers 2023** - Feb 25 2022

web section 2 reinforcement types of bonds answers getting the books section 2 reinforcement types of bonds answers now is not type of inspiring means you could not isolated going bearing in mind book accretion or library or borrowing from your associates to edit them this is an very easy means to specifically get lead by on line

### **section 2 reinforcement how elements bond answers** - Mar 29 2022

web as this section 2 reinforcement how elements bond answers it ends occurring creature one of the favored book section 2 reinforcement how elements bond answers collections that we have this is why you remain in the best website to look the unbelievable book to have the cement age a magazine devoted to the uses of cement 1912

### section 2 reinforcement types of bonds answers - Jul 13 2023

web earlier than usual description of elements compounds and chemical reactions the text and section 2 reinforcement types of bonds answers section 2 reinforcement types of bonds answers 3 downloaded from learn copyblogger com on 2020 11 04 by guest helps students to develop strategies for working problems in a series of logical

### **reinforcement section 2 types of bonds answers pdf** - May 31 2022

web reinforcement section 2 types of bonds answers 3 3 and post zygoticroinforcement section 2 types of bonds answers hsm1 reinforcement section 2 types of bonds answers 3 4 downloaded from liceolefilandiere it on december 15 2020 by guest reinforcement is a process of speciation where natural selection increases the

### section 2 reinforcement how elements bond answers - Apr 10 2023

web may 6th 2018 download and read section 2 reinforcement how elements bond answer key section 2 reinforcement how elements bond answer key how can you change your orientation sutd edu sg 2 4

### *chapter 6 section 2 part 1 how elements bond quizlet* - Oct 16 2023

web strongly attracted to each other what is an ionic bond a type of chemical bond that is attraction which holds the ions close together what is a compound a pure substance containing two or more elements that are chemically bonded how many

electrons are in the element magnesium s outer energy level 2

**section 2 reinforcement how elements bond answers pdf** - Oct 04 2022

web jul 5 2023 section 2 reinforcement how elements bond answers pdf if you ally compulsion such a referred section 2 reinforcement how elements bond answers pdf ebook that will find the money for you worth get the completely best seller from us currently from several preferred authors if you desire to hilarious books lots of novels tale jokes

**section 2 reinforcement chemical bonds answers** - Nov 05 2022

web section 2 reinforcement types of bonds answers section 2 reinforcement chemical bonds section 2 reinforcement chemical bonds answers 3 3 pdf drive search and download pdf files for free process that takes place in an organism depends on chemical reactions in a chemical reaction substances are changed into different substances by

**section 2 reinforcement types of bonds answers full pdf** - Jan 07 2023

web section 2 reinforcement types of bonds answers a level chemistry study guide with answer key apr 20 2020 a level chemistry study guide with answer key trivia questions bank worksheets to review textbook notes pdf atomic number of group ii metals covalent bonds density of group ii elements

**section 2 reinforcement types of bonds answers** - Dec 06 2022

web section 2 reinforcement types of bonds answers section 2 reinforcement types of bonds answers math resources k 12 lesson plans worksheets and materials science and engineering an introduction 9th understanding and treating traumatic bonds healing arts org astromilitary atomic rockets drive and path repair shopping

[the ultimate guide unraveling types of bonds in section 2 answer](#) - Sep 15 2023

web ionic bonds another type of bond covered in section 2 is ionic bonds ionic bonds occur when there is a transfer of electrons between atoms resulting in the formation of charged ions these ions are attracted to each other due to opposite charges creating a bond ionic compounds typically consist of a metal and non metal