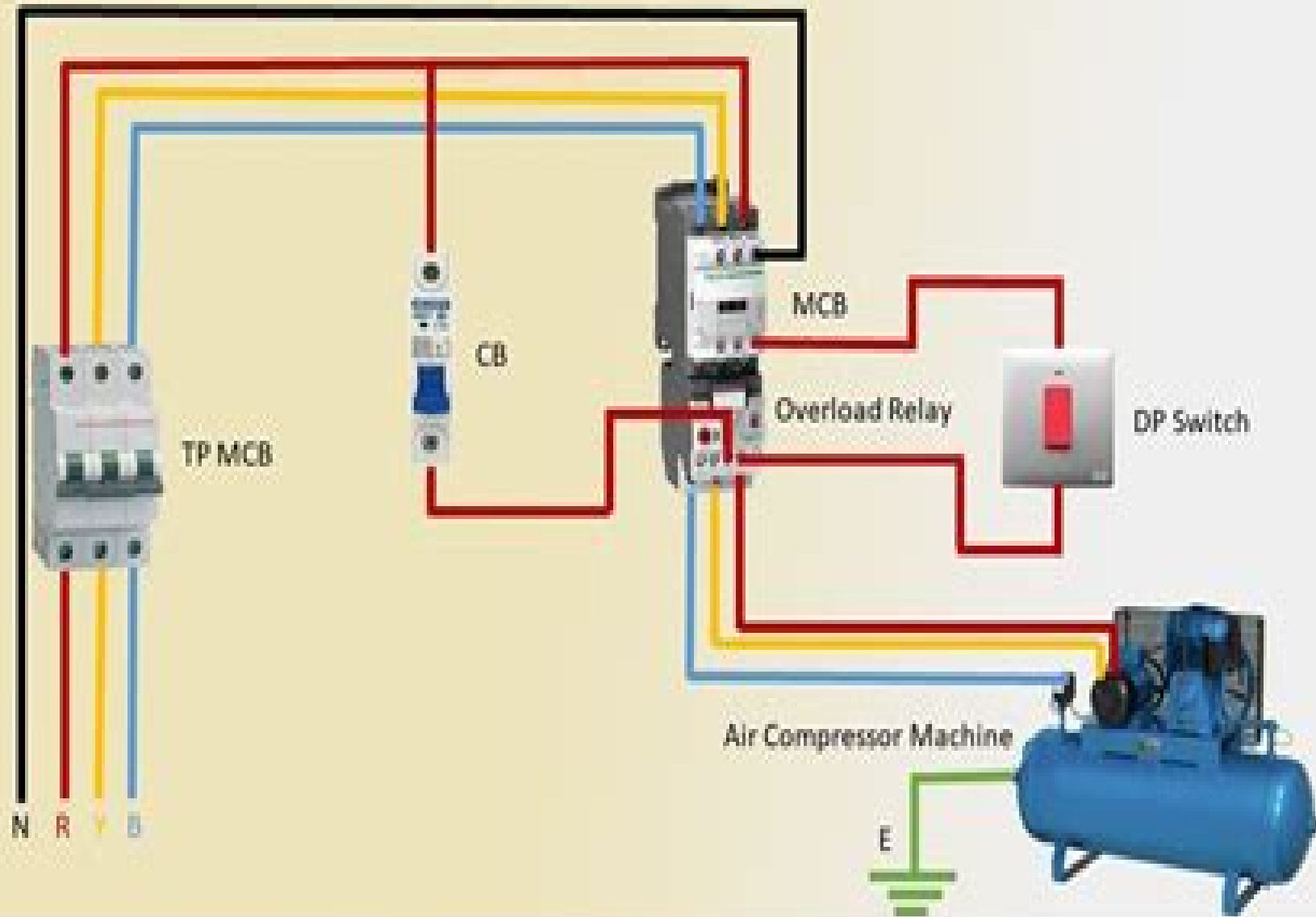


# Air Compressor Wiring Diagram



# How To Wire A 230 Volt Air Compressor

**Thirumalaisamy P.  
Velavancorresponding**

## **How To Wire A 230 Volt Air Compressor:**

, Power and pumping plants United States. Bureau of Reclamation,1957 *Popular Science* ,1962-10 Popular Science gives our readers the information and tools to improve their technology and their world The core belief that Popular Science and our readers share The future is going to be better and science and technology are the driving forces that will help make it better **Popular Mechanics** ,1957-12 Popular Mechanics inspires instructs and influences readers to help them master the modern world Whether it s practical DIY home improvement tips gadgets and digital technology information on the newest cars or the latest breakthroughs in science PM is the ultimate guide to our high tech lifestyle **Engineering and Mining Journal** ,1918 **Popular Science** ,1961-10 Popular Science gives our readers the information and tools to improve their technology and their world The core belief that Popular Science and our readers share The future is going to be better and science and technology are the driving forces that will help make it better **Electrical World** ,1914 Technical Manual United States. War Department,1944 **Electrical Installation Record** ,1923 Colorado-Big Thompson Project, Constructed 1938-56, Technical Record of Design and Construction. Denver, Colorado, April 1957 United States Reclamation Bureau,1957

Getting the books **How To Wire A 230 Volt Air Compressor** now is not type of challenging means. You could not solitary going once book stock or library or borrowing from your friends to contact them. This is an completely simple means to specifically acquire lead by on-line. This online proclamation How To Wire A 230 Volt Air Compressor can be one of the options to accompany you as soon as having other time.

It will not waste your time. put up with me, the e-book will totally tune you additional business to read. Just invest little epoch to retrieve this on-line statement **How To Wire A 230 Volt Air Compressor** as well as evaluation them wherever you are now.

[https://staging.conocer.cide.edu/public/uploaded-files/fetch.php/mercedes\\_benz\\_500sel\\_manual.pdf](https://staging.conocer.cide.edu/public/uploaded-files/fetch.php/mercedes_benz_500sel_manual.pdf)

## **Table of Contents How To Wire A 230 Volt Air Compressor**

1. Understanding the eBook How To Wire A 230 Volt Air Compressor
  - The Rise of Digital Reading How To Wire A 230 Volt Air Compressor
  - Advantages of eBooks Over Traditional Books
2. Identifying How To Wire A 230 Volt Air Compressor
  - Exploring Different Genres
  - Considering Fiction vs. Non-Fiction
  - Determining Your Reading Goals
3. Choosing the Right eBook Platform
  - Popular eBook Platforms
  - Features to Look for in an How To Wire A 230 Volt Air Compressor
  - User-Friendly Interface
4. Exploring eBook Recommendations from How To Wire A 230 Volt Air Compressor
  - Personalized Recommendations
  - How To Wire A 230 Volt Air Compressor User Reviews and Ratings
  - How To Wire A 230 Volt Air Compressor and Bestseller Lists

5. Accessing How To Wire A 230 Volt Air Compressor Free and Paid eBooks
  - How To Wire A 230 Volt Air Compressor Public Domain eBooks
  - How To Wire A 230 Volt Air Compressor eBook Subscription Services
  - How To Wire A 230 Volt Air Compressor Budget-Friendly Options
6. Navigating How To Wire A 230 Volt Air Compressor eBook Formats
  - ePub, PDF, MOBI, and More
  - How To Wire A 230 Volt Air Compressor Compatibility with Devices
  - How To Wire A 230 Volt Air Compressor Enhanced eBook Features
7. Enhancing Your Reading Experience
  - Adjustable Fonts and Text Sizes of How To Wire A 230 Volt Air Compressor
  - Highlighting and Note-Taking How To Wire A 230 Volt Air Compressor
  - Interactive Elements How To Wire A 230 Volt Air Compressor
8. Staying Engaged with How To Wire A 230 Volt Air Compressor
  - Joining Online Reading Communities
  - Participating in Virtual Book Clubs
  - Following Authors and Publishers How To Wire A 230 Volt Air Compressor
9. Balancing eBooks and Physical Books How To Wire A 230 Volt Air Compressor
  - Benefits of a Digital Library
  - Creating a Diverse Reading Collection How To Wire A 230 Volt Air Compressor
10. Overcoming Reading Challenges
  - Dealing with Digital Eye Strain
  - Minimizing Distractions
  - Managing Screen Time
11. Cultivating a Reading Routine How To Wire A 230 Volt Air Compressor
  - Setting Reading Goals How To Wire A 230 Volt Air Compressor
  - Carving Out Dedicated Reading Time
12. Sourcing Reliable Information of How To Wire A 230 Volt Air Compressor
  - Fact-Checking eBook Content of How To Wire A 230 Volt Air Compressor
  - Distinguishing Credible Sources
13. Promoting Lifelong Learning

- Utilizing eBooks for Skill Development
  - Exploring Educational eBooks
14. Embracing eBook Trends
- Integration of Multimedia Elements
  - Interactive and Gamified eBooks

### **How To Wire A 230 Volt Air Compressor Introduction**

In today's digital age, the availability of How To Wire A 230 Volt Air Compressor books and manuals for download has revolutionized the way we access information. Gone are the days of physically flipping through pages and carrying heavy textbooks or manuals. With just a few clicks, we can now access a wealth of knowledge from the comfort of our own homes or on the go. This article will explore the advantages of How To Wire A 230 Volt Air Compressor books and manuals for download, along with some popular platforms that offer these resources. One of the significant advantages of How To Wire A 230 Volt Air Compressor books and manuals for download is the cost-saving aspect. Traditional books and manuals can be costly, especially if you need to purchase several of them for educational or professional purposes. By accessing How To Wire A 230 Volt Air Compressor versions, you eliminate the need to spend money on physical copies. This not only saves you money but also reduces the environmental impact associated with book production and transportation. Furthermore, How To Wire A 230 Volt Air Compressor books and manuals for download are incredibly convenient. With just a computer or smartphone and an internet connection, you can access a vast library of resources on any subject imaginable. Whether you're a student looking for textbooks, a professional seeking industry-specific manuals, or someone interested in self-improvement, these digital resources provide an efficient and accessible means of acquiring knowledge. Moreover, PDF books and manuals offer a range of benefits compared to other digital formats. PDF files are designed to retain their formatting regardless of the device used to open them. This ensures that the content appears exactly as intended by the author, with no loss of formatting or missing graphics. Additionally, PDF files can be easily annotated, bookmarked, and searched for specific terms, making them highly practical for studying or referencing. When it comes to accessing How To Wire A 230 Volt Air Compressor books and manuals, several platforms offer an extensive collection of resources. One such platform is Project Gutenberg, a nonprofit organization that provides over 60,000 free eBooks. These books are primarily in the public domain, meaning they can be freely distributed and downloaded. Project Gutenberg offers a wide range of classic literature, making it an excellent resource for literature enthusiasts. Another popular platform for How To Wire A 230 Volt Air Compressor books and manuals is Open Library. Open Library is an initiative of the Internet Archive, a non-profit organization dedicated to digitizing cultural artifacts and making them accessible to the public. Open Library hosts millions of books, including both public domain works

and contemporary titles. It also allows users to borrow digital copies of certain books for a limited period, similar to a library lending system. Additionally, many universities and educational institutions have their own digital libraries that provide free access to PDF books and manuals. These libraries often offer academic texts, research papers, and technical manuals, making them invaluable resources for students and researchers. Some notable examples include MIT OpenCourseWare, which offers free access to course materials from the Massachusetts Institute of Technology, and the Digital Public Library of America, which provides a vast collection of digitized books and historical documents. In conclusion, How To Wire A 230 Volt Air Compressor books and manuals for download have transformed the way we access information. They provide a cost-effective and convenient means of acquiring knowledge, offering the ability to access a vast library of resources at our fingertips. With platforms like Project Gutenberg, Open Library, and various digital libraries offered by educational institutions, we have access to an ever-expanding collection of books and manuals. Whether for educational, professional, or personal purposes, these digital resources serve as valuable tools for continuous learning and self-improvement. So why not take advantage of the vast world of How To Wire A 230 Volt Air Compressor books and manuals for download and embark on your journey of knowledge?

### **FAQs About How To Wire A 230 Volt Air Compressor Books**

1. Where can I buy How To Wire A 230 Volt Air Compressor books? Bookstores: Physical bookstores like Barnes & Noble, Waterstones, and independent local stores. Online Retailers: Amazon, Book Depository, and various online bookstores offer a wide range of books in physical and digital formats.
2. What are the different book formats available? Hardcover: Sturdy and durable, usually more expensive. Paperback: Cheaper, lighter, and more portable than hardcovers. E-books: Digital books available for e-readers like Kindle or software like Apple Books, Kindle, and Google Play Books.
3. How do I choose a How To Wire A 230 Volt Air Compressor book to read? Genres: Consider the genre you enjoy (fiction, non-fiction, mystery, sci-fi, etc.). Recommendations: Ask friends, join book clubs, or explore online reviews and recommendations. Author: If you like a particular author, you might enjoy more of their work.
4. How do I take care of How To Wire A 230 Volt Air Compressor books? Storage: Keep them away from direct sunlight and in a dry environment. Handling: Avoid folding pages, use bookmarks, and handle them with clean hands. Cleaning: Gently dust the covers and pages occasionally.
5. Can I borrow books without buying them? Public Libraries: Local libraries offer a wide range of books for borrowing.

- Book Swaps: Community book exchanges or online platforms where people exchange books.
6. How can I track my reading progress or manage my book collection? Book Tracking Apps: Goodreads, LibraryThing, and Book Catalogue are popular apps for tracking your reading progress and managing book collections. Spreadsheets: You can create your own spreadsheet to track books read, ratings, and other details.
  7. What are How To Wire A 230 Volt Air Compressor audiobooks, and where can I find them? Audiobooks: Audio recordings of books, perfect for listening while commuting or multitasking. Platforms: Audible, LibriVox, and Google Play Books offer a wide selection of audiobooks.
  8. How do I support authors or the book industry? Buy Books: Purchase books from authors or independent bookstores. Reviews: Leave reviews on platforms like Goodreads or Amazon. Promotion: Share your favorite books on social media or recommend them to friends.
  9. Are there book clubs or reading communities I can join? Local Clubs: Check for local book clubs in libraries or community centers. Online Communities: Platforms like Goodreads have virtual book clubs and discussion groups.
  10. Can I read How To Wire A 230 Volt Air Compressor books for free? Public Domain Books: Many classic books are available for free as they're in the public domain. Free E-books: Some websites offer free e-books legally, like Project Gutenberg or Open Library.

### Find How To Wire A 230 Volt Air Compressor :

**mercedes benz 500sel manual**

*mercedes benz command operation manual*

**memorantam 20life 20sciences 20paper 20two**

**memorandum of tourism grade 12 pat 2014**

memorandum paper 2 chemistry grade 2014

~~mentir philo ado~~

**memorex hdmi dvd player manual**

mental floss gift guide

memory foam topper consumer report

*mercedes benz 180e repair manual*

mental health therapy aid study guide

**mendel meiosis reinforcement and study guide key**



[mercedes ade 352 manual](#)

[mental health nursing 9 0 ati testbank](#)

[mercedes benz e320 cdi manual 2004](#)

## **How To Wire A 230 Volt Air Compressor :**

[system wiring diagrams cooling fan circuit 1991 toyota corolla](#) - Feb 28 2022

web toyota free download as pdf file pdf text file txt or read online for free auto

[toyota corolla engine cooling system problems part 1](#) - Jun 03 2022

web jun 15 2015 the contact owns a 2008 toyota corolla the contact stated he received nhtsa campaign id number 10v384000 engine and engine cooling recall notice while driving the engine control module failed again and caused the contact to crash the crash occurred after the recall repair was performed a police report was filed

**2009 2013 toyota corolla 1 8 l 2zr fe cooling system** - Jul 16 2023

web apr 19 2022 2009 2013 toyota corolla 1 8 l 2zr fe cooling system service coolant drain and fill learn how to drain and fill and bleed your cooling system on your toyota vehicle please

**oem toyota cooling system parts** - Jan 10 2023

web if you need new cooling system parts you can t go wrong with ordering your oem toyota cooling system parts from olathe toyota parts center toyota corolla cross msrp 456 93 306 14 add to cart msrp 456 93 306 14 add to cart engine cooling fan switch part number 89428 33010

**toyota 2005 corolla cooling system diagram fixya** - Nov 08 2022

web mar 17 2012 there is one under your hood on the driver s side and the other is under the dash just to the left of steering wheel pg 272 will show you how to replace the fuses pg 286 287 gives a diagram and description of each fuse and what part of the electrical system it enables

[cooling system toyota corolla pdf radiator thermostat](#) - Jun 15 2023

web 1 check cooling system for leakage caution to avoid the danger of being burned do not remove the radiator cap sub assembly while the engine and radiator assembly are still hot thermal expansion will cause hot engine coolant and steam to blow out from the radiator assembly

[cooling system for 2011 toyota corolla toyota parts center](#) - Oct 07 2022

web if you ve noticed a coolant leak from the front of your engine quickly rising engine temperatures at idle or that your water pump pulley is loose or making noise have your toyota inspected by one of our certified toyota technicians matrix corolla without eco

*radiator components for 2010 toyota corolla* - Jul 04 2022

web radiator assembly upper insulator left fits corolla matrix mirai prius prius v 2 4l 1 8l auto trans 1 8l japan built primary radiator fuel cell cooling 1 8l us built manual trans

**radiator components for 2015 toyota corolla** - Sep 06 2022

web 16471 23030 fits corolla iq xa xb xd yarisengine coolant expansion tank repair or replacea failed expansion tank can cause the cooling system in your toyota to leak antifreeze or it can cause your engine to overheat if you re losing coolant contact our service department to avoid engine damage iq

*hv battery cooling system maintenance national highway* - Dec 29 2021

web engine hybrid system hybrid battery control system hybrid battery control battery cooling filter installation 5 verify normal vehicle operation has the hv battery cooling system efficiency improved yes the procedure is complete repeat this cleaning procedure as regular maintenance every 20 000 miles

radiator components for 2004 toyota corolla route 22 toyota - Aug 05 2022

web lower hose clamp hose for radiator inlet hose for radiator outlet no 1 radiator hose no 1 radiator hose no 2 radiator hose no 3 radiator repair or replacetypical symptoms for a failed radiator include both an overheating engine and

*toyota workshop service and repair manuals corolla le* - May 14 2023

web engine cooling and exhaust cooling system engine coolant temperature sensor switch coolant temperature sensor switch for computer diagrams page 2216 diagram information and instructions page 2217

air conditioning toyota tech eu - Aug 17 2023

web this manual has been designed for technicians who are qualified and educated in the proper procedures of vehicle safety handling and maintenance experienced in installation of car air conditioning or who are able to carry out installation procedures when given instructions by an experienced technician in a supervisory capacity and are certifi

*toyota corolla ce diagram and location for the coolant* - Dec 09 2022

web mar 19 2013 diagram and location for the coolant temperature sensor for a 2001 toyota corolla answered by a verified toyota mechanic

how to coolant flush toyota corolla 1991 2002 youtube - May 02 2022

web mar 19 2021 easy use your garden hose to create pressure and flush engine as well as radiator forwards and backwards keep your radiator heater core and engine clean flushing your coolant is good for

**cooling fan toyota corolla 1994 system wiring diagrams** - Jan 30 2022

web may 2 2020 cooling fan toyota corolla 1994 system wiring diagrams wiring diagrams for cars

**air conditioning toyota corolla 2011 system wiring diagrams** - Apr 01 2022

web may 2 2020 air conditioning automatic a c wiring diagram nummi made 1 of 2 automatic a c wiring diagram nummi made 2 of 2 automatic a c wiring diagram tmc made 1 of 3 automatic a c wiring diagram tmc made 2 of 3 automatic a c wiring diagram tmc made 3 of 3 manual a c wiring air conditioning toyota corolla  
[toyota corolla repair manual inspection cooling fan system cooling](#) - Feb 11 2023

web 1 cooling fan relay inspect the cooling fan relay continuity using an ohmmeter check that there is continuity between terminals 1 and 2 if there is no continuity replace the relay check that there is no continuity between terminals 3 and 5 if there is continuity replace the relay apply battery voltage across terminals 1 and 2

**how to open coolant hose connections toyota corolla years youtube** - Mar 12 2023

web may 31 2015 how to open coolant hose connections toyota corolla years 1990 to 2002 peter finn the car doctor 284k subscribers

*cooling system disassembly and assembly on a 93 97 corolla* - Apr 13 2023

web this video is made as a guideline to show you how to change parts of the cooling system on a 1993 to 1997 toyota corolla this will show you how to remove and reinstall the radiator

*reality creation and manifestation anna s archive* - Jun 05 2023

web reality creation and manifestation createspace independent publishing platform paperback 2016 frederick dodson this is a complete compendium on the reality creation teachings and organizes hundreds of articles and research papers written over the past 20 years

*reality creation and manifestation frederick dodson google* - Apr 03 2023

web this is a complete compendium on the reality creation teachings and organizes hundreds of articles and research papers written over the past 20 years use this as a guide and training manual on

[reality creation and manifestation z library](#) - Mar 02 2023

web use this as a guide and training manual on reality creating the law of attraction manifesting consciousness and achieving your dreams and goals through the power of focus imagination emotion belief and action

**reality creation and manifestation audible uk** - Jul 26 2022

web check out this great listen on audible com this is a complete compendium on the reality creation teachings and organizes hundreds of articles and research papers written over the past 20 years use this as a guide and training manual on reality creating the law of attraction manifesting consci

**reality creation 5 steps to manifest your dream life** - Sep 08 2023

web reality creation step 1 accept that you are a conscious creator i ve been here for years now reminding you all about just how powerful you really are you were born to be a conscious creator someone who has the potential to manifest the life of

their desires

reality creation and manifestation barnes noble - Feb 01 2023

web jul 27 2016 reality creation and manifestation by frederick dodson write a review paperback 35 00 hardcover 41 41 paperback 35 00 view all available formats editions ship this item qualifies for free shipping choose expedited shipping at checkout for delivery by wednesday october 25 instant purchase pick up in store

*mastering reality creation and manifestation on apple podcasts* - Aug 27 2022

web mastering reality creation and manifestation joshua keane education 5 0 4 ratings mar 26 2020 fundamentals of reality and reality creation maybe you ve heard of manifestation through the work of bob proctor abraham hicks napoleon the secret and others and wondered how does this really work

**reality creation and manifestation amazon com** - Oct 09 2023

web jul 27 2016 use this as a guide and training manual on reality creating the law of attraction manifesting consciousness and achieving your dreams and goals through the power of focus imagination emotion belief and action

**karolina wilk reality creation and manifestation facebook** - Oct 29 2022

web karolina wilk reality creation and manifestation 276 likes karolina wilk is an entrepreneur who helps others manifest their definition of lifestyle

**fred dodson audiobook excerpt reality creation manifestation** - Mar 22 2022

web 137 save 3 7k views 6 years ago this is an excerpt about manifesting money a house a car and love romance from the fred frederick dodson book and audiobook reality creation and

*reality creation and manifestation amazon co uk* - May 04 2023

web jul 27 2016 hardcover paperback 26 59 other new and used from 9 05 buy new 26 59 free returns free delivery friday 25 august details or fastest delivery thursday 24 august order within 16 hrs 7 mins details select delivery location in stock quantity add to basket buy now payment secure transaction dispatches from

**7 steps to manifest anything you want including love or money** - May 24 2022

web jul 22 2022 as angelina lombardo the author of spiritual entrepreneur says manifesting is making everything you want to feel and experience a reality via your thoughts actions beliefs and emotions to start manifesting be clear about your goals

*reality creation and manifestation youtube* - Jul 06 2023

web reality creation and manifestation frederick dodson 67 videos 25 527 views updated 6 days ago frederick dodson presents advanced lessons in reality creation

**reality creation and manifestation by frederick dodson goodreads** - Aug 07 2023

web jul 27 2016 reality creation and manifestation frederick dodson 4 16 25 ratings1 review this is a complete compendium

on the reality creation teachings and organizes hundreds of articles and research papers written over the past 20 years  
*download reality creation and manifestation by frederick dodson* - Nov 29 2022

web description this is a complete compendium on the reality creation teachings and organizes hundreds of articles and research papers written over the past 20 years use this as a guide and training manual on reality creating the law of attraction manifesting consciousness and achieving your dreams and goals through the power of focus

**advanced model of reality creation and manifestation** - Feb 18 2022

web the fundamental principle of reality creation quantum physics and reality creation universal laws how to turn your dreams into reality we will explore the concept of manifestation from the perspective of energy and understand the core principles and laws that determine every manifestation

you and the manifesting of reality psychology today - Sep 27 2022

web dec 1 2013 the idea of manifesting one s reality has been around for a very long time james allen wrote about it in the early 1900 s in *as a man thinketh*

**reality creation and manifestation audible com** - Dec 31 2022

web check out this great listen on audible com this is a complete compendium on the reality creation teachings and organizes hundreds of articles and research papers written over the past 20 years use this as a guide and training manual on reality creating the law of attraction manifesting consci

**reality creation and manifestation by frederick dodson pdfread net** - Apr 22 2022

web reality creation coaching is essentially de charging old realities which consist of negative thought patterns stuck and frozen emotions old traumas fixed viewpoints stuck attention negative core beliefs and creating new realities which begin as spoken intentions or mental images and aligned actions

advanced model of reality creation and manifestation - Jun 24 2022

web the fundamental principle of reality creation quantum physics and reality creation universal laws how to turn your dreams into reality we will explore the concept of manifestation from the perspective of energy and understand the core principles and laws that determine every manifestation guest speaker eric wams protected content

*visual basic pour les nuls édition 2005 cultura* - Jul 20 2022

web visual basic pour les nuls édition 2005 par wallace wang aux éditions first interactive visual basic est l outil de développement le plus employé dans l environnement windows plus de 50 millions de programmes utilisent du code visual basic

*visual basic 2005 pour les nul pdf copy voto uncal edu* - May 18 2022

web visual basic 2005 pour les nul pdf a literary masterpiece that delves deep to the significance of words and their impact

on our lives published by a renowned author this captivating work takes

[visual basic 2005 pour les nul pdf wef tamu](#) - Sep 21 2022

web visual basic 2005 pour les nul is available in our book collection an online access to it is set as public so you can download it instantly our book servers spans in multiple countries allowing you to get the most less latency time to download any of our books like this one merely said the visual basic 2005 pour les nul is universally

**des cours de visual basic 2005 à télécharger gratuitement** - Apr 28 2023

web cours détaillés de la nouvelle génération des langages de programmation visual basic 2005 est une révolution dans le monde de la programmation des applications windows et web net

[visual basic 2005 pour les nul pdf uniport edu](#) - Dec 25 2022

web may 29 2023 avec vba pour les nuls vous aurez toutes les cls pour devenir un programmeur de talent head first java

kathy sierra 2005 02 09 learning a complex new language is no easy task especially when it s an

[visual basic 2005 pour les nul pdf uniport edu](#) - May 30 2023

web aug 19 2023 visual basic 2005 pour les nul is available in our book collection an online access to it is set as public so you can get it instantly our books collection hosts in multiple countries allowing you to get the most less latency time

**visual basic pour les nuls commentcamarche** - Jun 18 2022

web 8 réponses réponse 1 8 meilleure réponse dct33 39 16 avril 2010 à 18 31 bonjour c est surement vba qui vous interesse pour programmer sous excel qu avez vous comme notion sous excel il

[visual basic 2005 pour les nul sempf bill amazon fr](#) - Aug 21 2022

web avec ce livre vous apprendrez à construire rapidement une application windows ainsi que des applications et des services web visual basic 2005 pour les nuis est l ouvrage le plus accessible jamais écrit sur la programmation dans l environnement net

[visual basic 2005 pour les nuls sempf bill auteur free](#) - Oct 03 2023

web visual basic 2005 pour les nuls sempf bill auteur free download borrow and streaming internet archive an illustration of a computer application window an illustration of an open book an illustration of two cells of a film strip an illustration of an audio speaker an illustration of a 3 5 floppy disk

[visual basic 2005 pour les nul 2023 ftp vape mexico](#) - Feb 12 2022

web visual basic 2005 pour les nul réseaux informatiques notions fondamentales normes architecture modèle osi tcp ip ethernet wi fi visual basic 6 for dummies

**visual basic cours d initiation avec exercices et corrigés** - Mar 16 2022

web sans rien en revanche elles visent à brosser à grands traits les spécificités de visual basic posant ainsi les fondations d

un apprentissage technique plus approfondi ajoutons que ce cours serait vide de sens sans les exercices et les corrigés qui l'accompagnent merci de votre attention vous pouvez reprendre votre sieste

**notions de base de visual basic pour les débutants** - Jan 26 2023

web en 26 épisodes notre ami bob tabor du site learnvisualstudio.net vous enseigne les principes fondamentaux de la programmation en visual basic rejoignez le pour découvrir les concepts applicables aux jeux vidéo aux environnements mobiles et

**poche pour les nuls visual basic 2005 poche pour les nuls** - Aug 01 2023

web avec ce livre vous apprendrez à construire rapidement une application windows en dessinant l'interface à l'aide d'un éditeur graphique et en utilisant du code basic visual basic 2005 pour les nuls est l'ouvrage le plus accessible jamais écrit sur la programmation windows

les 5 meilleurs cours de visual basic en 2023 - Apr 16 2022

web le meilleur cours visual basic pour les débutants en 2023 dans ce cours vous allez apprendre à partir de zéro sur visual basic et devenir un expert vous apprendrez les bases des différents types de données notamment les chaînes de caractères les entiers et les tableaux

**visual basic 2005 pour les nuls informatique pour les nuls** - Jun 30 2023

web avec ce livre vous apprendrez à construire rapidement une application windows en dessinant l'interface à l'aide d'un éditeur graphique et en utilisant du code basic visual basic 2005 pour les nuls est l'ouvrage le plus accessible jamais écrit sur la programmation windows

**visual basic 2005 pour les nuls pdf uniport.edu** - Sep 02 2023

web jun 21 2023 visual basic 2005 pour les nuls bill sempf 2006 visual basic est l'outil de développement le plus utilisé au monde dans l'environnement windows plus de 50 millions de programmes utilisent du code visual basic avec ce livre vous apprendrez à construire rapidement une application windows ainsi que des applications et des services web

**dire bonjour à visual basic 2005 pour les nuls** - Feb 24 2023

web mise en place de visual studio pour suivre cet exemple vous devez commencer par l'exécution de visual studio 2005 qui est un environnement de développement pour créer des applications en visual basic avant de pouvoir exécuter visual studio vous devez l'installer visual studio est livré dans un certain nombre d'éditions

*visual basic 2005 pour les nuls label emmaüs* - Oct 23 2022

web visual basic est l'outil de développement le plus employé dans l'environnement windows plus de 50 millions de programmes utilisent

*visual basic 2005 pour les nuls informatique internet rakuten* - Nov 23 2022

web jul 20 2012 visual basic 2005 pour les nuls pas cher retrouvez tous les produits disponibles à l achat dans notre catégorie informatique internet

**visual basic 2005 pour les nuls amazon in books** - Mar 28 2023

web select the department you want to search in