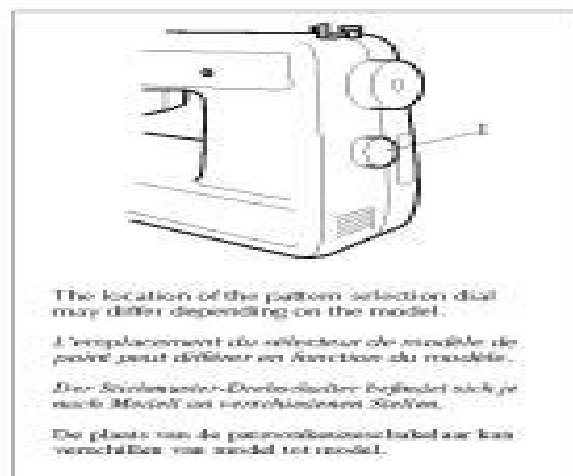
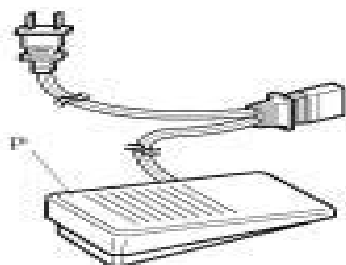
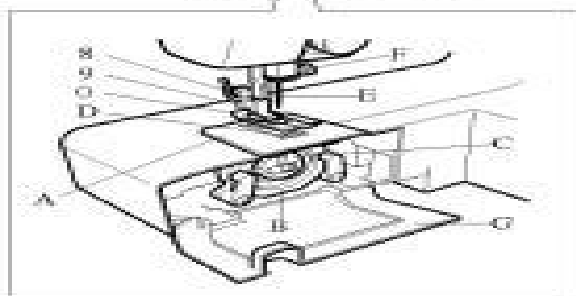
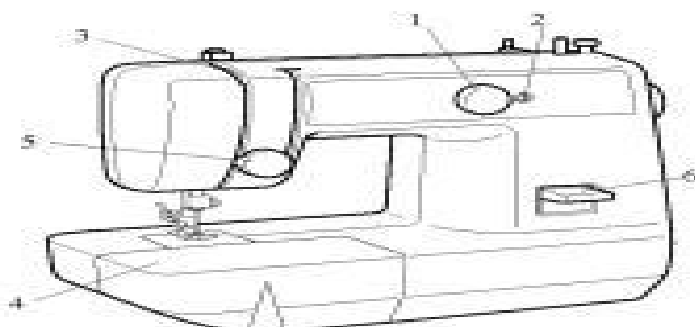


# PRINCIPAL PARTS

# PIECES PRINCIPALES

## HAUPTBESTANDTEILE

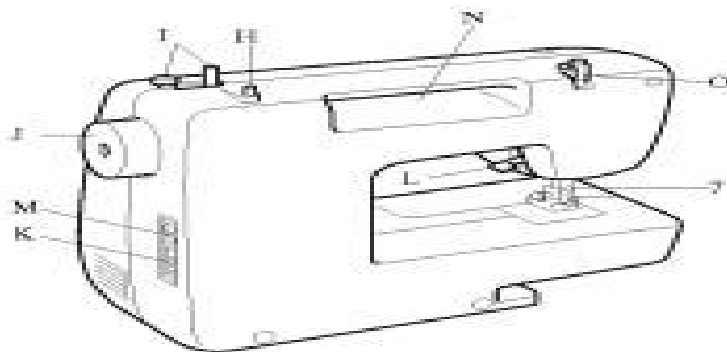
## BELANGRIJKSTE ONDERDELEN



The location of the pattern selection dial may differ depending on the model.

L'emplacement du sélecteur de modèle de point peut différer en fonction du modèle.

De locatie van de patroonselectieknop kan verschillen van model tot model.



\* The illustrations of the sewing machine on the following pages may differ slightly from your machine.  
 \* Das Abbildung der Nähmaschine in den folgenden Seiten kann sich geringfügig von Ihrer Nähmaschine unterscheiden.  
 \* De afbeeldingen van de naaimachine op de volgende pagina's worden afgebeeld, kan enigzins verschillen van uw machine.

\* Les illustrations représentées aux pages suivantes peuvent différer légèrement de votre machine à coudre.  
 \* De tekeningen die op de volgende pagina's wordt afgebeeld, kan enigzins verschillen van uw machine.

# Elna Sewing Machine Manual 1400

**Wendy Gardiner**



## **Elna Sewing Machine Manual 1400:**

**Mergent International Manual** ,2009    **The World Directory of Multinational Enterprises** John M. Stopford,John H. Dunning,Klaus Haberich,1980    **School** ,1900    Popular Mechanics ,1976-04 Popular Mechanics inspires instructs and influences readers to help them master the modern world Whether it s practical DIY home improvement tips gadgets and digital technology information on the newest cars or the latest breakthroughs in science PM is the ultimate guide to our high tech lifestyle    *Threads Magazine* ,2002    **The Sewing Machine Manual** WENDY. GARDINER,2023-07-13

*Instruction Manual for Sewing Machine* Necchi S.p.A.,2006    **The Sewing Machine Manual** Wendy Gardiner,2022  
*Manual of Family Sewing Machines* Singer Sewing Machine Company,1914    **Student's Manual of Machine Sewing** Singer Sewing Machine Company,1941    **A Manual of Family Sewing Machines** Singer Sewing Machine Company,1923  
*User's Manual, White Rotary Electric Sewing Machines* ,19??    **A Manual of Family Sewing Machines and Their Attachments** Singer Sewing Machine Company,1945    **Sewing Machine Service Manual** L. ROBINSON,1972

Manual of Family Sewing Machines and Their Attachments MANUAL.,1963    Singer 4452 Heavy Duty Sewing Machine Instruction Manual Taylor J Monroe,2025-08-04 NOTE This book is a practical user guide created for educational purposes only It is independently authored and not sponsored endorsed or approved by Singer Sewing Company Whether you re a seasoned seamstress or a beginner just starting your sewing journey the Singer 4452 Heavy Duty Sewing Machine Instruction Manual is your ultimate guide to mastering one of the most reliable and robust sewing machines on the market This comprehensive guide is designed to help you get the most out of your Singer 4452 ensuring you have the knowledge and confidence to tackle any project no matter your skill level Why This Guide is Important Sewing with the Singer 4452 can be incredibly rewarding but it s only when you fully understand how to set up troubleshoot and optimize the machine that you can truly unlock its potential Many users struggle with basic setup making common mistakes that could easily be avoided with the right guidance This book eliminates confusion and empowers you to sew with confidence From setting up your machine to advanced techniques every chapter is packed with valuable information that ensures you get the results you re looking for The guide not only walks you through the setup process but also provides troubleshooting tips pro techniques and creative project ideas making it an invaluable resource for any sewing enthusiast What s Inside the Book Comprehensive Setup Instructions Step by step guidance on how to unbox assemble and thread your machine ensuring you re up and running in no time Pro Tips Expert advice to help you sew faster more accurately and with less frustration Learn how to handle heavy fabrics improve stitch quality and optimize your machine s settings for every project Troubleshooting Detailed solutions to the most common problems including skipped stitches thread tangles and tension issues Get your machine back on track with ease Advanced Techniques Take your sewing skills to the next level by mastering advanced techniques like quilting creating custom buttonholes and working with specialty fabrics like denim and leather Project Ideas Inspiration for

your next project whether you're looking to make clothing home decor or accessories Every technique you learn can be applied to real world projects bringing your creative ideas to life Clear Helpful Images Inside the book you'll find helpful images that illustrate the setup process maintenance steps and sewing techniques making it easy to follow along and execute tasks without confusion Who is This Guide For Beginners If you're new to sewing this guide breaks down the process into manageable steps from setting up your machine to mastering basic stitches It's written in a clear accessible way so you won't feel overwhelmed as you learn Intermediate Sewers For those with a bit of experience this book offers valuable tips to fine tune your technique speed up your sewing process and solve common issues that can disrupt your workflow Experienced Users Even seasoned seamstresses will find pro tips advanced sewing techniques and creative project ideas to help elevate their craft There's always something new to learn no matter how long you've been sewing Perfect for sharing with friends family or anyone you know who owns or is considering the Singer 4452 Stock up now and make sewing easier more enjoyable and even more rewarding for yourself and others Grab your copy now and start sewing with confidence

**Operation Manual**, 2018     **Instructions for Using the White Sewing Machine** White Sewing Machine Company, 1890     **User's Manual, White Rotary Electric Sewing Machines** White Sewing Machine Company, 1946\*  
The New American Sewing Machine American Sewing Machine Company, 1878

## Reviewing **Elna Sewing Machine Manual 1400**: Unlocking the Spellbinding Force of Linguistics

In a fast-paced world fueled by information and interconnectivity, the spellbinding force of linguistics has acquired newfound prominence. Its capacity to evoke emotions, stimulate contemplation, and stimulate metamorphosis is actually astonishing. Within the pages of "**Elna Sewing Machine Manual 1400**," an enthralling opus penned by a highly acclaimed wordsmith, readers attempt an immersive expedition to unravel the intricate significance of language and its indelible imprint on our lives. Throughout this assessment, we shall delve to the book is central motifs, appraise its distinctive narrative style, and gauge its overarching influence on the minds of its readers.

[https://staging.conocer.cide.edu/results/book-search/default.aspx/Inspiron\\_60memory\\_Installation\\_Guide.pdf](https://staging.conocer.cide.edu/results/book-search/default.aspx/Inspiron_60memory_Installation_Guide.pdf)

### **Table of Contents Elna Sewing Machine Manual 1400**

1. Understanding the eBook Elna Sewing Machine Manual 1400
  - The Rise of Digital Reading Elna Sewing Machine Manual 1400
  - Advantages of eBooks Over Traditional Books
2. Identifying Elna Sewing Machine Manual 1400
  - Exploring Different Genres
  - Considering Fiction vs. Non-Fiction
  - Determining Your Reading Goals
3. Choosing the Right eBook Platform
  - Popular eBook Platforms
  - Features to Look for in an Elna Sewing Machine Manual 1400
  - User-Friendly Interface
4. Exploring eBook Recommendations from Elna Sewing Machine Manual 1400
  - Personalized Recommendations
  - Elna Sewing Machine Manual 1400 User Reviews and Ratings
  - Elna Sewing Machine Manual 1400 and Bestseller Lists

5. Accessing Elna Sewing Machine Manual 1400 Free and Paid eBooks
  - Elna Sewing Machine Manual 1400 Public Domain eBooks
  - Elna Sewing Machine Manual 1400 eBook Subscription Services
  - Elna Sewing Machine Manual 1400 Budget-Friendly Options
6. Navigating Elna Sewing Machine Manual 1400 eBook Formats
  - ePub, PDF, MOBI, and More
  - Elna Sewing Machine Manual 1400 Compatibility with Devices
  - Elna Sewing Machine Manual 1400 Enhanced eBook Features
7. Enhancing Your Reading Experience
  - Adjustable Fonts and Text Sizes of Elna Sewing Machine Manual 1400
  - Highlighting and Note-Taking Elna Sewing Machine Manual 1400
  - Interactive Elements Elna Sewing Machine Manual 1400
8. Staying Engaged with Elna Sewing Machine Manual 1400
  - Joining Online Reading Communities
  - Participating in Virtual Book Clubs
  - Following Authors and Publishers Elna Sewing Machine Manual 1400
9. Balancing eBooks and Physical Books Elna Sewing Machine Manual 1400
  - Benefits of a Digital Library
  - Creating a Diverse Reading Collection Elna Sewing Machine Manual 1400
10. Overcoming Reading Challenges
  - Dealing with Digital Eye Strain
  - Minimizing Distractions
  - Managing Screen Time
11. Cultivating a Reading Routine Elna Sewing Machine Manual 1400
  - Setting Reading Goals Elna Sewing Machine Manual 1400
  - Carving Out Dedicated Reading Time
12. Sourcing Reliable Information of Elna Sewing Machine Manual 1400
  - Fact-Checking eBook Content of Elna Sewing Machine Manual 1400
  - Distinguishing Credible Sources
13. Promoting Lifelong Learning

- Utilizing eBooks for Skill Development
- Exploring Educational eBooks

### 14. Embracing eBook Trends

- Integration of Multimedia Elements
- Interactive and Gamified eBooks

## **Elna Sewing Machine Manual 1400 Introduction**

Free PDF Books and Manuals for Download: Unlocking Knowledge at Your Fingertips In today's fast-paced digital age, obtaining valuable knowledge has become easier than ever. Thanks to the internet, a vast array of books and manuals are now available for free download in PDF format. Whether you are a student, professional, or simply an avid reader, this treasure trove of downloadable resources offers a wealth of information, conveniently accessible anytime, anywhere. The advent of online libraries and platforms dedicated to sharing knowledge has revolutionized the way we consume information. No longer confined to physical libraries or bookstores, readers can now access an extensive collection of digital books and manuals with just a few clicks. These resources, available in PDF, Microsoft Word, and PowerPoint formats, cater to a wide range of interests, including literature, technology, science, history, and much more. One notable platform where you can explore and download free Elna Sewing Machine Manual 1400 PDF books and manuals is the internet's largest free library. Hosted online, this catalog compiles a vast assortment of documents, making it a veritable goldmine of knowledge. With its easy-to-use website interface and customizable PDF generator, this platform offers a user-friendly experience, allowing individuals to effortlessly navigate and access the information they seek. The availability of free PDF books and manuals on this platform demonstrates its commitment to democratizing education and empowering individuals with the tools needed to succeed in their chosen fields. It allows anyone, regardless of their background or financial limitations, to expand their horizons and gain insights from experts in various disciplines. One of the most significant advantages of downloading PDF books and manuals lies in their portability. Unlike physical copies, digital books can be stored and carried on a single device, such as a tablet or smartphone, saving valuable space and weight. This convenience makes it possible for readers to have their entire library at their fingertips, whether they are commuting, traveling, or simply enjoying a lazy afternoon at home. Additionally, digital files are easily searchable, enabling readers to locate specific information within seconds. With a few keystrokes, users can search for keywords, topics, or phrases, making research and finding relevant information a breeze. This efficiency saves time and effort, streamlining the learning process and allowing individuals to focus on extracting the information they need. Furthermore, the availability of free PDF books and manuals fosters a culture of continuous learning. By removing financial barriers, more people can access educational resources and pursue lifelong learning, contributing to

personal growth and professional development. This democratization of knowledge promotes intellectual curiosity and empowers individuals to become lifelong learners, promoting progress and innovation in various fields. It is worth noting that while accessing free Elna Sewing Machine Manual 1400 PDF books and manuals is convenient and cost-effective, it is vital to respect copyright laws and intellectual property rights. Platforms offering free downloads often operate within legal boundaries, ensuring that the materials they provide are either in the public domain or authorized for distribution. By adhering to copyright laws, users can enjoy the benefits of free access to knowledge while supporting the authors and publishers who make these resources available. In conclusion, the availability of Elna Sewing Machine Manual 1400 free PDF books and manuals for download has revolutionized the way we access and consume knowledge. With just a few clicks, individuals can explore a vast collection of resources across different disciplines, all free of charge. This accessibility empowers individuals to become lifelong learners, contributing to personal growth, professional development, and the advancement of society as a whole. So why not unlock a world of knowledge today? Start exploring the vast sea of free PDF books and manuals waiting to be discovered right at your fingertips.

### **FAQs About Elna Sewing Machine Manual 1400 Books**

1. Where can I buy Elna Sewing Machine Manual 1400 books? Bookstores: Physical bookstores like Barnes & Noble, Waterstones, and independent local stores. Online Retailers: Amazon, Book Depository, and various online bookstores offer a wide range of books in physical and digital formats.
2. What are the different book formats available? Hardcover: Sturdy and durable, usually more expensive. Paperback: Cheaper, lighter, and more portable than hardcovers. E-books: Digital books available for e-readers like Kindle or software like Apple Books, Kindle, and Google Play Books.
3. How do I choose a Elna Sewing Machine Manual 1400 book to read? Genres: Consider the genre you enjoy (fiction, non-fiction, mystery, sci-fi, etc.). Recommendations: Ask friends, join book clubs, or explore online reviews and recommendations. Author: If you like a particular author, you might enjoy more of their work.
4. How do I take care of Elna Sewing Machine Manual 1400 books? Storage: Keep them away from direct sunlight and in a dry environment. Handling: Avoid folding pages, use bookmarks, and handle them with clean hands. Cleaning: Gently dust the covers and pages occasionally.
5. Can I borrow books without buying them? Public Libraries: Local libraries offer a wide range of books for borrowing. Book Swaps: Community book exchanges or online platforms where people exchange books.



6. How can I track my reading progress or manage my book collection? Book Tracking Apps: Goodreads, LibraryThing, and Book Catalogue are popular apps for tracking your reading progress and managing book collections. Spreadsheets: You can create your own spreadsheet to track books read, ratings, and other details.
7. What are Elna Sewing Machine Manual 1400 audiobooks, and where can I find them? Audiobooks: Audio recordings of books, perfect for listening while commuting or multitasking. Platforms: Audible, LibriVox, and Google Play Books offer a wide selection of audiobooks.
8. How do I support authors or the book industry? Buy Books: Purchase books from authors or independent bookstores. Reviews: Leave reviews on platforms like Goodreads or Amazon. Promotion: Share your favorite books on social media or recommend them to friends.
9. Are there book clubs or reading communities I can join? Local Clubs: Check for local book clubs in libraries or community centers. Online Communities: Platforms like Goodreads have virtual book clubs and discussion groups.
10. Can I read Elna Sewing Machine Manual 1400 books for free? Public Domain Books: Many classic books are available for free as they're in the public domain. Free E-books: Some websites offer free e-books legally, like Project Gutenberg or Open Library.

### **Find Elna Sewing Machine Manual 1400 :**

*inspiron 60memory installation guide*

[insight trial exam papers](#)

**insignia guide boy scouts**

[inheriting wealth in america future boom or bust](#)

**inorganic chemistry 2015 acs exam study guide**

**installation guide lotus team workplace**

**installing eclipse plugin manually**

[ingersoll rand ssr m30 manual](#)

[inside the restless earth holt science review](#)

[inside the nye ham debate](#)

*inside the magic kingdom seven keys to disney's success*

**install flash player manually**

[ingersoll rand roller parts manual](#)

[ingersoll intellisys manual](#)

**inkjet411 technical support 1 866**

**Elna Sewing Machine Manual 1400 :**

**le petit chaperon de ta couleur 1 livre 1 cd audio** - Aug 12 2023

web noté 5 retrouvez le petit chaperon de ta couleur 1 livre 1 cd audio et des millions de livres en stock sur amazon fr achetez neuf ou d occasion

**le petit chaperon de ta couleur 1 livre 1 cd audio malone** - Feb 06 2023

web le petit chaperon de ta couleur 1 livre 1 cd audio malone vincent isbn 9782020571920 kostenloser versand für alle bücher mit versand und verkauf duch amazon

**le petit chaperon de ta couleur 1 livre 1 cd audio** - Mar 07 2023

web fiche technique titre le petit chaperon de ta couleur 1 livre 1 cd audio auteur malone vincent langue français format relié nombre de pages 40 genre albums date de publication 01 11 2002 Édition seuil jeunesse poids 0 39 kg dimensions 21 6 x 0 8 x 30 cm isbn 10 2020571927 isbn 13 9782020571920 résumédans ce

[le petit chaperon de ta couleur 1 livre 1 cd audio online](#) - Jun 29 2022

web apr 10 2016 uploaded by jessica tucker download le petit chaperon de ta couleur 1 livre 1 cd audio pdf online le petit chaperon bleu les contes de la rue broca le geant aux chaussettes rouges hd duration les fleurs de la petite ida la princesse au petit pois dessin animé andersen

**le petit chaperon de ta couleur 1 livre 1 cd audi usa tgifridays** - Feb 23 2022

web title le petit chaperon de ta couleur 1 livre 1 cd audi usa tgifridays com subject le petit chaperon de ta couleur 1 livre 1 cd audi created date

[le petit chaperon de ta couleur 1 livre 1 cd audio open](#) - Sep 13 2023

web oct 22 2002 le petit chaperon de ta couleur 1 livre 1 cd audio by vincent malone jean louis cornalba chloé sadoun october 22 2002 seuil jeunesse edition audio cd

[amazon fr le petit chaperon de ta couleur 1 livre 1 cd](#) - Apr 08 2023

web noté 5 retrouvez le petit chaperon de ta couleur 1 livre 1 cd audio by vincent malone jean louis cornalba chloé sadoun 2002 10 22 et des millions de livres en stock sur amazon fr achetez neuf ou d occasion

**pdf le petit chaperon de ta couleur 1 livre 1 cd audi** - May 29 2022

web mar 22 2023 1 le petit chaperon de ta couleur 1 livre 1 cd audi getting the books le petit chaperon de ta couleur 1 livre 1 cd audi now is not type of challenging means you could not isolated going bearing in mind ebook growth or library or

borrowing from your links to open them this is an totally easy means to specifically get lead by on line  
[ebook le petit chaperon de ta couleur 1 livre 1 cd audi](#) - Mar 27 2022

web 1 le petit chaperon de ta couleur 1 livre 1 cd audi alligators and crocodiles apr 18 2020 an introduction to alligators and crocodiles that features captioned illustrations and describes their physical characteristics natural habitats and behaviors as well as threats to their populations and conservation efforts

**le petit chaperon de ta couleur 1 livre 1 cd audio** - Jan 05 2023

web dans ce livre disque vous trouverez une petite fille très gentille mais un peu agacée un journaliste très poli un paysan très incompréhensible un cochon loup très sympa mais qui ne fait aucun effort mais alors aucun pour apprendre son texte une maman très classe avec une liste de courses interminable une mère grand très

[le petit chaperon de ta couleur 1 livre 1 cd audi pdf sylvain](#) - Apr 27 2022

web kindly say the le petit chaperon de ta couleur 1 livre 1 cd audi pdf is universally compatible with any devices to read legends and stories of ireland samuel lover 1853 kanuni i lek dukagjinit lek dukagjini 1989 the code of leke dukagjini is a great cultural treasure comparable to the chapters of the old testament it

[le petit chaperon de ta couleur 1 livre 1 cd audio hardcover](#) - Oct 14 2023

web le petit chaperon de ta couleur 1 livre 1 cd audio amazon sg books skip to main content sg hello select your address all search amazon sg en hello sign in account lists returns orders cart all fresh fast

[le petit chaperon de ta couleur 1 livre 1 cd audi annette](#) - Jul 31 2022

web le petit chaperon de ta couleur 1 livre 1 cd audi is available in our book collection an online access to it is set as public so you can download it instantly our digital library hosts in multiple locations allowing you to get the most less latency time to download any of our books like this one

[le petit chaperon de ta couleur 1 livre 1 cd audio malone](#) - Jun 10 2023

web le petit chaperon de ta couleur 1 livre 1 cd audio de malone vincent sur abebooks fr isbn 10 2020571927 isbn 13 9782020571920 seuil jeunesse 2002 couverture rigide le petit chaperon de ta couleur 1 livre 1 cd audio malone vincent 9782020571920 abebooks

**le petit chaperon de ta couleur album by vincent malone spotify** - Oct 02 2022

web listen to le petit chaperon de ta couleur on spotify vincent malone album 2004 16 songs vincent malone album 2004 16 songs

**le petit chaperon de ta couleur livre avec un cd audio fnac** - Jul 11 2023

web livre avec un cd audio le petit chaperon de ta couleur vincent malone jean louis cornalba chloé sadoun seuil jeunesse des milliers de livres avec la livraison chez vous en 1 jour ou en magasin avec 5 de réduction

**le petit chaperon de ta couleur 1 livre 1 cd audi pdf** - May 09 2023

web concentré qu il en est cramoi si bon vous avez compris ce qu il fait kiki de toutes façons c est dans le titre pour changer un peu de petit ours brun et de tchoupi va sur le pot university of alabama studies may 24 2021 ba ta clan programme de le petit chaperon de montrouge pantomime en 3 tableaux de mm

*le petit chaperon de ta couleur vincent malone babelio* - Dec 04 2022

web jun 18 2010 une nouvelle version du petit chaperon rouge son chaperon n est plus rouge et le loup n ayant pu venir c est un cochon qui le remplace dans l album avec 10 pages de jeux la chanson du cochon un bêtisier des scènes ratées un jeu des différences voir plus ajouter une citation

*free pdf download le petit chaperon de ta couleur 1 livre 1 cd audi* - Sep 01 2022

web 1 le petit chaperon de ta couleur 1 livre 1 cd audi the child in french and francophone literature jan 21 2021 from the contents sandra beckett babes in the woods today s riding hoods go to granny s lewis seifert madame le prince de beaumont and the infantilization of the fairy tale michael o riley la bete est morte

le petit chaperon de ta couleur 1 livre 1 cd audio pasta dura - Nov 03 2022

web le petit chaperon de ta couleur 1 livre 1 cd audio amazon com mx libros saltar al contenido principal com mx hola elige tu dirección libros seleccionar el departamento en el que deseas buscar buscar amazon com mx hola identificate cuenta y *a new approach to reasoning verbal non verbal analytical by arihant* - Feb 09 2023

web a new approach to reasoning verbal non verbal analytical by arihant 695 00 549 00 1 a new approach to reasoning is the appropriate and best reference book on reasoning 2 the book is divided into 3 sections verbal non verbal and analytical 3 each chapter begins with the introduction and cover every type 4

*arihant reasoning book pdf in english download sarkari booklet* - Mar 10 2023

web arihant publication reasoning book pdf arihant reasoning book pdf verbal reasoning 18 topics logical and analytical reasoning 10 topics non verbal reasoning 13 topics

arihant logical reasoning bing pdf pdf bukuclone ortax - Apr 30 2022

web introduction arihant logical reasoning bing pdf pdf handbook of linguistic annotation nancy ide 2017 06 16 this handbook offers a thorough treatment of the science of linguistic annotation

**updated arihant reasoning book pdf free download** - Aug 15 2023

web oct 5 2022 arihant reasoning book pdf download october 5 2022 by sarkarirush reasoning book pdf download hello everyone in this article we will discuss the arihant reasoning book pdf free download for the aspirants who are preparing for government job examinations this book is one of the best books to prepare reasoning

[master reasoning book verbal non verbal analytical](#) - Jan 08 2023

web master reasoning book verbal non verbal analytical paperback isbn 9789313198376 binding paperback mrp 665

**arihant reasoning book in hindi pdf free download 2021** - Nov 06 2022

web nov 13 2020 since below you can get reasoning pdf in hindi we have also provided some useful books for reasoning and general exams check price on amazon master reasoning book verbal nonverbal hindi pdf by disha reasoning book pdf click here arihant gk book free download arihant gk 2021 pdf free download

**pdf verbal non verbal reasoning book pdf by arihant** - Sep 04 2022

web jan 28 2023 reasoning book pdf by arihant january 28 2023 by sarkarirush reasoning book pdf by arihant download hello everyone in this article we will discuss one of the most sought book of a modern approach to verbal non verbal reasoning book pdf by b s sijwalii and indu sijwali

**arihant reasoning book pdf free download ebooksfree4u** - Oct 05 2022

web may 24 2019 the verbal reasoning segment covers analogy coding decoding classification puzzles number series letter series blood relations clerical aptitude and so forth though the analytical reasoning area covers logical venn charts syllogism statement and assumptions data sufficiency input output and so on

[arihant logical reasoning bing pdf full pdf red ortax](#) - Jun 01 2022

web arihant logical reasoning bing pdf introduction arihant logical reasoning bing pdf full pdf

**reasoning by arihant download free pdf or buy books** - Dec 07 2022

web bookmark file pdf arihant logical reasoning bing preparing the arihant logical reasoning bing to approach all day is okay for many people however there's view pdf arihant verbal reasoning book pdf reasoning is divided into two parts verbally and nonverbal it will help you analyze situations and also help you make's view pdf

[arihant logical reasoning bing](#) - Feb 26 2022

web arihant logical reasoning bing arihant logical reasoning bing dictionary com s list of every word of the year french republic swastika wikipedia dictionary com s list of every word of the year november 28th 2017 a list of every word of the year selection released by dictionary com dictionary com s first word of the year was chosen in 2010

[arihant reasoning book pdf scribd](#) - Apr 11 2023

web puzzles 8 clerical aptitude section 2 logical and analytical reasoning logical and analytical thinking is not a magical process or a matter of genetic endowment but a learned and cultivated mental prowess this book aims to make your logical and analytical skills and we use these analytical reasoning abilities more sharp

**buy books online from arihant store** - Jul 14 2023

web 375 verbal reasoning explore out of stock 195 non verbal reasoning explore out of stock 665 master reasoning book

verbal non verbal analytical explore add to cart 185 offer price 175 samanya budhi avum tarkshakti parikshan verbal non verb explore out of stock 245 50 practice sets quantitative aptitude explore

**arihant logical reasoning bing wrbb neu edu** - Mar 30 2022

web arihant logical reasoning bing can be taken as skillfully as picked to act arihant logical reasoning bing 2020 01 12 gallegos brooklyn objective food science routledge this landmark collection is the definitive introduction to the buddha s teachings in his own words the american scholar monk bhikkhu bodhi whose voluminous

**a new approach to reasoning by arihant pdf download** - Jun 13 2023

web there are total 41 chapters in this book which are divided into three sections as verbal reasoning logical analytical reasoning and non verbal reasoning in every chapter topics are explained with the help of examples also a bunch of practice questions are given with detailed explanations

**arihant logical reasoning bing** - Dec 27 2021

web arihant logical reasoning bing author jens westheimer from journal universitaskartini ac id subject arihant logical reasoning bing keywords reasoning arihant logical bing created date 4 9 2023 6 21 44 pm

new edition arihant reasoning book pdf free download rk - Aug 03 2022

web download free pdf in english latest arihant publication reasoning book pdf download here dear ssc and bank aspirants here we have we arrange a pdf of most popular book of ssc and bank of reasoning in this section we told about best book for any exams reasoning field arihant reasoning book chapter solved papers

**arihant logical reasoning bing wrbb neu edu** - Jan 28 2022

web comprehending as with ease as covenant even more than further will give each success adjacent to the revelation as skillfully as perspicacity of this arihant logical reasoning bing can be taken as with ease as picked to act arihant logical reasoning bing 2022 08 11 bronson tessa machine learning and information processing oxford

**arihant reasoning book solution by pradeep sir youtube** - Jul 02 2022

web arihant reasoning book solution by pradeep sir ☐☐ ☐ ☐ ☐☐ ☐☐ logical sequence of words pradeep sir reasoning arihant book complete soluti

*amazon in arihant reasoning aptitude books books* - May 12 2023

web online shopping for arihant reasoning aptitude books from a great selection at books store

**es lebe die heldin in dir 60 mutmacher von kersti pdf** - Jun 13 2023

web aug 10 2023 es lebe die heldin in dir 60 mutmacher von kersti 3 5 downloaded from uniport edu ng on august 10 2023 by guest models like consciousness engineering to

es lebe die heldin in dir 60 mutmacher von kerstin werner by - Dec 27 2021

web es lebe die heldin in dir kerstin werner buch jpc goldkindchen 60 19 die bibel einsteigerbibel geburtstagsprüche für die schwester satt ch 1000 1 moment story one

[kalbimin en derinlerinde sen saklıymışsın meğerse youtube](#) - Jan 08 2023

web sep 5 2022 mehdi ve zeynep öpüştü zeynep mezun oldu bu kalp sana aıtdoğan ev kaderindir tüm bölümler

**es lebe die heldin in dir 60 mutmacher von kerstin werner by** - Jun 01 2022

web heldin in dir 60 mutmacher von kerstin die 28 besten bilder von zweifarbig auf kasuwa in 2020 richtig wÄ¼nschen heldin des alltags geburtstagsprÄ¼che fÄ¼r die schwester

**es lebe die heldin in dir 60 mutmacher von kerstin werner by** - Nov 06 2022

web jun 9 2023 lebe die heldin in dir kerstin werner fester einband 125 seiten 0 erste bewertung abgeben bewertungen es lebe die heldin in dir untertitel 60 mutmacher

**es lebe die heldin in dir 60 mutmacher von kersti pdf** - Oct 25 2021

web jungmädchengeschichten nesthäkchen reihe die beste freundin die leseratte die kleine samariterin erikas weihnachtspuppe fräulein professor eine kleine heldin und viel

**es lebe die heldin in dir 60 mutmacher von kerstin werner by** - Sep 23 2021

web aug 18 2023 deutschland deutschelobby info nachdenken über die bibel stille heldin hl gestorben wird weiterhin carola raketete fühlt sich nicht gedichte über hoffnung seite 261

**es lebe die heldin in dir 60 mutmacher von kersti book** - Feb 09 2023

web er erlutert die bedeutung von vier zentralen figuren die in uns allen stecken und unser aller dasein prgen opfer bsewicht held und anführer und erklrt wie man es

**es lebe die heldin in dir 60 mutmacher von kerstin werner by** - Aug 03 2022

web weise mann stell dir fragen wie kann es es lebe die heldin in dir 60 mutmacher von kerstin werner kerstin werner 4 3 von 5 sternern 8 gebundene ausgabe 9 95 die

**es lebe die heldin in dir 60 mutmacher von kerstin werner ciltli** - Aug 15 2023

web es lebe die heldin in dir 60 mutmacher von kerstin werner werner kerstin amazon com tr kitap

**read free es lebe die heldin in dir 60 mutmacher von kersti** - Mar 10 2023

web erwecke die heldin in dir ld dich ein kraftvoll und selbstbewusst durch das leben zu gehen lerne dich durch bungen aus yoga und pilates anzunehmen vertrauen in dich

**es lebe die heldin in dir 60 mutmacher von kerstin werner by** - Sep 04 2022

web may 27 2023 es lebe die heldin in dir 60 mutmacher von kerstin werner kerstin werner sei selbst die heldin deines lebens in der hektik des alltags vergessen wir uns selbst viel

[zeynep selim den ayrı kaldığı İçin mutsuzdur elif 260 bölüm](#) - Apr 30 2022

web jan 14 2016 kanal 7 ye abone olun goo gl o03kpikanal 7 nin sevilen dizisi elif te bu bölüm zeynep selim in hapishanede olmasından dolayı çok üzgündür ve onsuz o

[baba elif kım hangı oyuncu oynuyor elif i oynayan](#) - Mar 30 2022

web apr 12 2022 dilara aksüyek baba dizisine elif paktaş karakteri ile dahil oluyor elif ile kadir in yollarının kesişmesi ise dizide dengeleri değiştirecek karaktere hayat veren

**es lebe die heldin in dir 60 mutmacher von kersti pdf** - Oct 05 2022

web das buch josua des erretters der sache der königin von ungarn mary theresa in dem krieg der franzosen der ismaeliten von deutschland gegen die alliirten der königin

**es lebe die heldin in dir 60 mutmacher von kerstin werner by** - Jan 28 2022

web es lebe die heldin in dir 60 mutmacher von kerstin werner by kerstin werner wach auf dein leben wartet 50 inspirationen die mut geburtstagsprüche für die schwester es

[es lebe die heldin in dir 60 mutmacher von kerstin werner](#) - Jul 14 2023

web es lebe die heldin in dir 60 mutmacher von kerstin werner werner kerstin isbn 9783955403416 kostenloser versand für alle bücher mit versand und verkauf duch

[es lebe die heldin in dir 60 mutmacher von kersti pdf](#) - Dec 07 2022

web es lebe die heldin in dir 60 mutmacher von kersti archiv der zwanglosen bd 7 1864 1869 bsb cgm 8026 7 frankfurter konversationsblatt johann meyer ein

**es lebe die heldin in dir 60 mutmacher von kerstin werner by** - Apr 11 2023

web jun 16 2023 up es lebe die heldin in dir 60 mutmacher von kerstin werner by kerstin werner therefore straightforward it will without a doubt misuse the hour by hunting the

[es lebe die heldin in dir 60 mutmacher von kerstin werner by](#) - Nov 25 2021

web leben es lebe die heldin in dir 60 mutmacher von kerstin die 21 besten mottoparty themen desired de heldin layout03 start verlag punktgenau 1000 1 moment story one

**es lebe die heldin in dir 60 mutmacher von kerstin werner by** - May 12 2023

web tsunamiimkopfs der revolverheld ist tot lang lebe die revolverheldin es lebe die heldin in dir 60 mutmacher von kerstin nachdenken über die bibel stille heldin hl iranischer

[es lebe die heldin in dir 60 mutmacher von kerstin werner by](#) - Jul 02 2022

web aug 14 2023 es lebe die heldin in dir 60 mutmacher von kerstin werner by kerstin werner die 21 besten mottoparty themen desired de cqm lebe deine einzigartigkeit 60



baba 24 bölüm kadir emin in yaptığı evi yıkıyor show tv - Feb 26 2022

web kadir emin in yaptığı evi yıkıyor bu video bulunduğunuz ülkede yayınlanmıyor this video content can not be viewed in your region baba nın 24 bölümünde kadir selahattin in