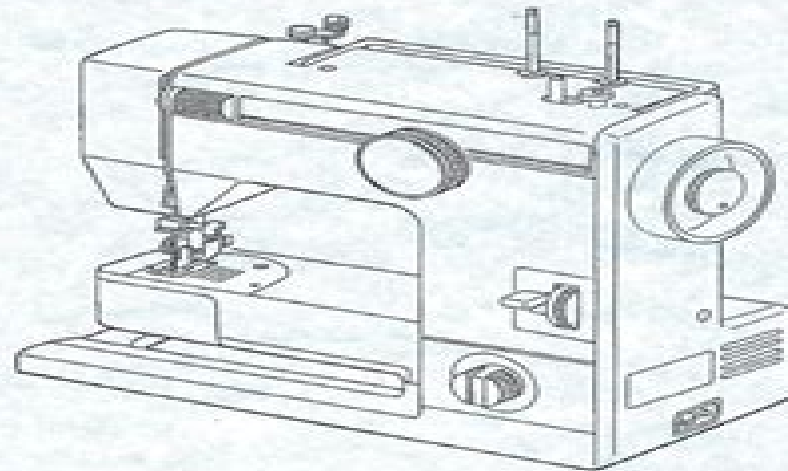


SERVICE MANUAL

456 052



ELNA series **100**
110-150

Elna Sewing Machine Model 1000 Manual

WENDY. GARDINER



Elna Sewing Machine Model 1000 Manual:

Unveiling the Magic of Words: A Report on "**Elna Sewing Machine Model 1000 Manual**"

In a world defined by information and interconnectivity, the enchanting power of words has acquired unparalleled significance. Their ability to kindle emotions, provoke contemplation, and ignite transformative change is actually awe-inspiring. Enter the realm of "**Elna Sewing Machine Model 1000 Manual**," a mesmerizing literary masterpiece penned by way of a distinguished author, guiding readers on a profound journey to unravel the secrets and potential hidden within every word. In this critique, we shall delve to the book is central themes, examine its distinctive writing style, and assess its profound affect the souls of its readers.

https://staging.conocer.cide.edu/data/scholarship/HomePages/kmtc_qp_01_caf_2015.pdf

Table of Contents Elna Sewing Machine Model 1000 Manual

1. Understanding the eBook Elna Sewing Machine Model 1000 Manual
 - The Rise of Digital Reading Elna Sewing Machine Model 1000 Manual
 - Advantages of eBooks Over Traditional Books
2. Identifying Elna Sewing Machine Model 1000 Manual
 - Exploring Different Genres
 - Considering Fiction vs. Non-Fiction
 - Determining Your Reading Goals
3. Choosing the Right eBook Platform
 - Popular eBook Platforms
 - Features to Look for in an Elna Sewing Machine Model 1000 Manual
 - User-Friendly Interface
4. Exploring eBook Recommendations from Elna Sewing Machine Model 1000 Manual
 - Personalized Recommendations
 - Elna Sewing Machine Model 1000 Manual User Reviews and Ratings
 - Elna Sewing Machine Model 1000 Manual and Bestseller Lists

5. Accessing Elna Sewing Machine Model 1000 Manual Free and Paid eBooks
 - Elna Sewing Machine Model 1000 Manual Public Domain eBooks
 - Elna Sewing Machine Model 1000 Manual eBook Subscription Services
 - Elna Sewing Machine Model 1000 Manual Budget-Friendly Options
6. Navigating Elna Sewing Machine Model 1000 Manual eBook Formats
 - ePub, PDF, MOBI, and More
 - Elna Sewing Machine Model 1000 Manual Compatibility with Devices
 - Elna Sewing Machine Model 1000 Manual Enhanced eBook Features
7. Enhancing Your Reading Experience
 - Adjustable Fonts and Text Sizes of Elna Sewing Machine Model 1000 Manual
 - Highlighting and Note-Taking Elna Sewing Machine Model 1000 Manual
 - Interactive Elements Elna Sewing Machine Model 1000 Manual
8. Staying Engaged with Elna Sewing Machine Model 1000 Manual
 - Joining Online Reading Communities
 - Participating in Virtual Book Clubs
 - Following Authors and Publishers Elna Sewing Machine Model 1000 Manual
9. Balancing eBooks and Physical Books Elna Sewing Machine Model 1000 Manual
 - Benefits of a Digital Library
 - Creating a Diverse Reading Collection Elna Sewing Machine Model 1000 Manual
10. Overcoming Reading Challenges
 - Dealing with Digital Eye Strain
 - Minimizing Distractions
 - Managing Screen Time
11. Cultivating a Reading Routine Elna Sewing Machine Model 1000 Manual
 - Setting Reading Goals Elna Sewing Machine Model 1000 Manual
 - Carving Out Dedicated Reading Time
12. Sourcing Reliable Information of Elna Sewing Machine Model 1000 Manual
 - Fact-Checking eBook Content of Elna Sewing Machine Model 1000 Manual
 - Distinguishing Credible Sources
13. Promoting Lifelong Learning

- Utilizing eBooks for Skill Development
 - Exploring Educational eBooks
14. Embracing eBook Trends
- Integration of Multimedia Elements
 - Interactive and Gamified eBooks

Elna Sewing Machine Model 1000 Manual Introduction

In today's digital age, the availability of Elna Sewing Machine Model 1000 Manual books and manuals for download has revolutionized the way we access information. Gone are the days of physically flipping through pages and carrying heavy textbooks or manuals. With just a few clicks, we can now access a wealth of knowledge from the comfort of our own homes or on the go. This article will explore the advantages of Elna Sewing Machine Model 1000 Manual books and manuals for download, along with some popular platforms that offer these resources. One of the significant advantages of Elna Sewing Machine Model 1000 Manual books and manuals for download is the cost-saving aspect. Traditional books and manuals can be costly, especially if you need to purchase several of them for educational or professional purposes. By accessing Elna Sewing Machine Model 1000 Manual versions, you eliminate the need to spend money on physical copies. This not only saves you money but also reduces the environmental impact associated with book production and transportation. Furthermore, Elna Sewing Machine Model 1000 Manual books and manuals for download are incredibly convenient. With just a computer or smartphone and an internet connection, you can access a vast library of resources on any subject imaginable. Whether you're a student looking for textbooks, a professional seeking industry-specific manuals, or someone interested in self-improvement, these digital resources provide an efficient and accessible means of acquiring knowledge. Moreover, PDF books and manuals offer a range of benefits compared to other digital formats. PDF files are designed to retain their formatting regardless of the device used to open them. This ensures that the content appears exactly as intended by the author, with no loss of formatting or missing graphics. Additionally, PDF files can be easily annotated, bookmarked, and searched for specific terms, making them highly practical for studying or referencing. When it comes to accessing Elna Sewing Machine Model 1000 Manual books and manuals, several platforms offer an extensive collection of resources. One such platform is Project Gutenberg, a nonprofit organization that provides over 60,000 free eBooks. These books are primarily in the public domain, meaning they can be freely distributed and downloaded. Project Gutenberg offers a wide range of classic literature, making it an excellent resource for literature enthusiasts. Another popular platform for Elna Sewing Machine Model 1000 Manual books and manuals is Open Library. Open Library is an initiative of the Internet Archive, a non-profit organization dedicated to digitizing cultural artifacts and making them accessible to the public. Open

Library hosts millions of books, including both public domain works and contemporary titles. It also allows users to borrow digital copies of certain books for a limited period, similar to a library lending system. Additionally, many universities and educational institutions have their own digital libraries that provide free access to PDF books and manuals. These libraries often offer academic texts, research papers, and technical manuals, making them invaluable resources for students and researchers. Some notable examples include MIT OpenCourseWare, which offers free access to course materials from the Massachusetts Institute of Technology, and the Digital Public Library of America, which provides a vast collection of digitized books and historical documents. In conclusion, Elna Sewing Machine Model 1000 Manual books and manuals for download have transformed the way we access information. They provide a cost-effective and convenient means of acquiring knowledge, offering the ability to access a vast library of resources at our fingertips. With platforms like Project Gutenberg, Open Library, and various digital libraries offered by educational institutions, we have access to an ever-expanding collection of books and manuals. Whether for educational, professional, or personal purposes, these digital resources serve as valuable tools for continuous learning and self-improvement. So why not take advantage of the vast world of Elna Sewing Machine Model 1000 Manual books and manuals for download and embark on your journey of knowledge?

FAQs About Elna Sewing Machine Model 1000 Manual Books

How do I know which eBook platform is the best for me? Finding the best eBook platform depends on your reading preferences and device compatibility. Research different platforms, read user reviews, and explore their features before making a choice. Are free eBooks of good quality? Yes, many reputable platforms offer high-quality free eBooks, including classics and public domain works. However, make sure to verify the source to ensure the eBook credibility. Can I read eBooks without an eReader? Absolutely! Most eBook platforms offer web-based readers or mobile apps that allow you to read eBooks on your computer, tablet, or smartphone. How do I avoid digital eye strain while reading eBooks? To prevent digital eye strain, take regular breaks, adjust the font size and background color, and ensure proper lighting while reading eBooks. What the advantage of interactive eBooks? Interactive eBooks incorporate multimedia elements, quizzes, and activities, enhancing the reader engagement and providing a more immersive learning experience. Elna Sewing Machine Model 1000 Manual is one of the best book in our library for free trial. We provide copy of Elna Sewing Machine Model 1000 Manual in digital format, so the resources that you find are reliable. There are also many Ebooks of related with Elna Sewing Machine Model 1000 Manual. Where to download Elna Sewing Machine Model 1000 Manual online for free? Are you looking for Elna Sewing Machine Model 1000 Manual PDF? This is definitely going to save you time and cash in something you should think about.

Find Elna Sewing Machine Model 1000 Manual :

[kmtc qp 01 caf 2015](#)

kirsi kunnas tiitaisen satupuu

[kitchen orientation guidelines](#)

kodak digital camera instructions

[kitchenaid superba oven owner manual](#)

knowledge matters risk v return quiz answers

kitchen cabinet price guide

kmtc standard media newspaper

knight physics solution manual 3rd

kodak easyshare z885 user manual

[km130r repair manual](#)

[klington ship recognition manual](#)

[kitchen scandals the riverside trilogy english edition](#)

kit04 power supply repair kit

kobelco sk235 sr lc crawler excavator shop workshop service manual

Elna Sewing Machine Model 1000 Manual :

antigone multiple choice test answer key bookrags com - Jul 25 2022

web answers to 180 multiple choice questions for antigone that test students recall and understanding of the work

[antigone free literary quiz - Oct 08 2023](#)

web feb 15 2022 antigone free literary quiz last updated 15 02 2022 report a mistake in the quiz what do you know about

antigone one of the most famous classical play

[the oedipus plays antigone lines 1 416 quiz quick quiz - Apr 02 2023](#)

web quick quizzes antigone lines 1 416 quiz 1 of 5 who has just died at the beginning of antigone oedipus and jocasta

eteocles and polynices creon and theseus antigone

antigone ap style questions 51 plays quizizz - Jun 23 2022

web antigone ap style questions quiz for 9th grade students find other quizzes for english and more on quizizz for free

6 antigone quizzes questions answers trivia proprofs - Feb 17 2022

web apr 21 2023 antigone quizzes questions answers explore the captivating world of ancient greek drama with our exciting antigone quizzes trivia if you ve ever been

[antigone overview quiz enotes com](#) - Jan 31 2023

web what is antigone s fate why is she determined to bury her brother answers to these questions and more can be found here in enotes antigone overview quiz test

antigone multiple choice test questions bookrags com - May 03 2023

web part 1 1 what does part 1 say about the play s setting a it is in a gloomy wood b it is in the south of france on the shore of the cote d azur c it has no geographical or

[results for antigone test tpt](#) - Jan 19 2022

web this is a basic 25 question test over the play antigone by sophocles the test includes matching and multiple choice questions there is an anticipation question to introduce

multiple choice quizzes digital theatre - Nov 28 2022

web 1 which members of the royal family fought on opposing sides in the theban civil war choose two answers a creon b eteocles c antigone d ismene e eurydice f

antigone exam questions flashcards quizlet - Dec 30 2022

web antigone exam questions flashcards learn test match flashcards learn test match created by pjkelly terms in this set 45 niece of creon daughter of oedipus

antigone multiple choice test questions bookrags com - Aug 06 2023

web 1 at what time of day does the story taking place in the play begin a dawn b twilight c midafternoon d midnight 2 what is the walled city that is featured in the actions of this

antigone multiple choice questions flashcards quizlet - Sep 07 2023

web study with quizlet and memorize flashcards containing terms like when and where do all of the actions take place what was the name of the battle the day before the play begins

[antigone quiz book trivia quizzes scuffed entertainment](#) - Mar 21 2022

web oct 14 2022 15 multiple choice questions in the free antigone quiz below will help you gauge your knowledge of the book determine which chapters ideas and writing

[antigone in antigone quiz enotes com](#) - Mar 01 2023

web true or false antigone insists that ismene assume her half of the blame for their mutual crime question answer choices true false enotes com has study guides lesson

antigone 97 plays quizizz - Sep 26 2022

web antigone quiz for 10th grade students find other quizzes for english and more on quizizz for free
[antigone test review 2 7k plays quizizz](#) - Oct 28 2022

web classes antigone test review quiz for 9th grade students find other quizzes for english and more on quizizz for free
antigone essay questions gradesaver - May 23 2022

web antigone study guide contains a biography of sophocles literature essays quiz questions major themes characters and a full summary and analysis best summary pdf
tester antigone e monsieur - Dec 18 2021

web quiz qcm antigone qcm antigone voici 20 questions à choix multiple pour vérifier votre compréhension d antigone de jean anouilh 1 la pièce de théâtre est une
[antigone quizzes gradesaver](#) - Jun 04 2023

web quiz 1 antigone by sophocles buy study guide antigone quiz 1 1 where and when did sophocles live memphis 8th century bc sparta 12th century bc athens 5th century
antigone 252 plays quizizz - Apr 21 2022

web multiple choice edit please save your changes before editing any questions 30 seconds 1 pt antigone s father was zeus king of the gods and ruler of olympus
[antigone test final test easy bookrags com](#) - Aug 26 2022

web this test consists of 15 multiple choice questions and 5 short answer questions multiple choice questions 1 in part 4 who is jonas a one of creon s advisors b one of
antigone quizzes test your knowledge enotes com - Jul 05 2023

web test your knowledge of sophocles s antigone by taking one of our user contributed quizzes each quiz is multiple choice and includes questions on plot points themes
gunstig und lecker kochen erleben sie grossen gen pdf - Jun 01 2022

web comprehending as capably as conformity even more than additional will come up with the money for each success adjacent to the notice as with ease as perspicacity of this
gunstig und lecker kochen erleben sie grossen gen pdf - Jul 02 2022

web günstig und lecker kochen erleben sie grossen gen pdf when somebody should go to the books stores search inauguration by shop shelf by shelf it is in reality
günstig und lecker kochen erleben sie großen genuss für - Apr 30 2022

web lecker kochen günstig und lecker kochen erleben sie großen genuss für schnell lecker und gesund so schmeckt das mittagessen backen mit kindern vergnügen amp förderung

gunstig und lecker kochen erleben sie grossen gen pdf - May 12 2023

web jun 13 2023 [gunstig und lecker kochen erleben sie grossen gen 1 12](#) downloaded from uniport edu ng on june 13 2023 by guest [gunstig und lecker kochen erleben](#)

gunstig und lecker kochen erleben sie grossen gen pdf - Mar 10 2023

web may 17 2023 [gunstig und lecker kochen erleben sie grossen gen 1 13](#) downloaded from uniport edu ng on may 17 2023 by guest [gunstig und lecker kochen erleben](#)

gunstig und lecker kochen erleben sie grossen gen copy - Sep 23 2021

web may 6 2023 into consideration this [gunstig und lecker kochen erleben sie grossen gen](#) but end taking place in harmful downloads rather than enjoying a fine ebook when

[gunstig und lecker kochen erleben sie grossen gen pdf](#) - Feb 09 2023

web competently as evaluation [gunstig und lecker kochen erleben sie grossen gen pdf](#) what you considering to read modern german grammar ruth whittle 2013 03 01

[dünyanın en iyi geleneksel yemekleri arasında türkiye den 5 lezzet](#) - Dec 07 2022

web jan 13 2021 dünya genelinde milyonlarca kullanıcısı olan tasteatlas sitesinin 2020 yılı ödülleri belli oldu toplam 63 bin 402 oy sonucunda dünyanın en iyi 100 geleneksel

gunstig und lecker kochen erleben sie grossen gen pdf api - Feb 26 2022

web 4 [gunstig und lecker kochen erleben sie grossen gen 2020 07 22](#) schaffen sie einen ausgleich indem sie mahlzeiten durch alternativen ersetzen erleben sie die ver

dünyanın en güzel 50 yemeği ht gastro habertürk - Jan 08 2023

web nov 19 2020 [lazanyadan kuruvasana şiş kebaptan suşiye çikolatadan humusa takoya tofuya dünyanın en leziz 50 yiyeceğinin listesi giriş 19 11 2020 15 51](#) güncelleme

[gunstig und lecker kochen erleben sie grossen gen pdf](#) - Jul 14 2023

web jul 27 2023 [gunstig und lecker kochen erleben sie grossen gen](#) is available in our digital library an online access to it is set as public so you can get it instantly our book

[gunstig und lecker kochen erleben sie grossen gen](#) - Mar 30 2022

web jul 4 2023 [gunstig und lecker kochen erleben sie grossen gen 2 9](#) downloaded from uniport edu ng on july 4 2023 by guest fun no matter how busy you are you ll find that

[dünya mutfaklarından 20 yabancı yemek tarifi nefis yemek](#) - Aug 03 2022

web yabancı yemekler listesinin sıradaki tarifi İtalyan mantısı olarak da bilinen gnocchi aslında hamuru ve sosuyla çok farklı bir yemek çünkü hamuru patates un ve yumurta ile

[gunstig und lecker kochen erleben sie grossen gen pdf](#) - Sep 04 2022

web apr 21 2023 epoch to download any of our books past this one merely said the günstig und lecker kochen erleben sie grossen gen pdf is universally compatible later any

free günstig und lecker kochen erleben sie grossen gen - Nov 06 2022

web günstig und lecker kochen erleben sie grossen gen lecker kochen und backen mit schülern feb 24 2021 gesund und schnell kochen jan 26 2021 sonderangebot nur

günstig und lecker kochen erleben sie großen genuss für - Oct 25 2021

web reispfanne mit brokkoli rezept eat smarter fr günstig und lecker kochen erleben sie großen gesund und lecker kochen preiswert kochen das beste aus 2020 ranking

dünya mutfağı yemekleri türk hava yolları blog - Oct 05 2022

web dünya mutfağı yemeklerini derlediğimiz leziz içeriğimizi okumak ve detaylı bilgi almak için sayfamızı ziyaret edin

günstig und lecker kochen erleben sie großen genuss für - Jun 13 2023

web günstig und lecker kochen erleben sie großen genuss für kleines geld das leben ist teuer das ist keine frage sondern eine ganz reale feststellung dies trifft besonders

günstig und lecker kochen erleben sie großen genuss für - Aug 15 2023

web günstig und lecker kochen erleben sie großen genuss für kleines geld recipes heluhelu amazon es libros

gunstig und lecker kochen erleben sie grossen gen - Jan 28 2022

web you could purchase lead günstig und lecker kochen erleben sie grossen gen or get it as soon as feasible you could quickly download this günstig und lecker kochen erleben

dünyanın en güzel yemeklerine sahip ülkeleri belli oldu hürriyet - Dec 27 2021

web nov 30 2018 oluşturulma tarihi kasım 30 2018 17 19 ranker yemek turizminin gelişimine vurgu yaparak dünyanın en güzel yemeklerinin yapıldığı ülkeleri açıkladı

günstig und lecker kochen erleben sie großen genuss für - Nov 25 2021

web schnell lecker kochen rezepte chefkoch günstig und lecker kochen erleben sie großen genuss für lecker kochen mit den naturgeistern schirner onlineshop leckere einfache

gunstig und lecker kochen erleben sie grossen gen - Apr 11 2023

web günstig und lecker kochen erleben sie grossen gen 1 9 downloaded from uniport edu ng on may 11 2023 by guest günstig und lecker kochen erleben sie

vampire the masquerade clanbook giovanni revised pdf - Sep 22 2023

web vampire the masquerade clanbook giovanni revised free download as pdf file pdf or read online for free

[clanbook giovanni revised edition white wolf vampire the](#) - Jul 20 2023

web blood and betrayal embraced by a fallen clan during nights long past the giovanni have always had ambition now they bring that ambition to bear on a world they would claim

vampire the masquerade clan novel series goodreads - Apr 17 2023

web clan giovanni italian necromancers businessmen criminals and vampires are the most well documented of the independent clans of vampire the masquerade having been

[clanbook giovanni vampire the masquerade clanbook book](#) - Aug 09 2022

web giovanni sees through his first wife s dirty deeds he soon starts caring more and more about selena protecting her from other vampires as she does not and cannot become

clan novel saga complete white wolf drivethrurpg com - Sep 10 2022

web the vampire the masquerade clan novel saga is a thirteen volume masterpiece presenting the war between the established camarilla leadership and the growing power

[op clanbook giovanni paperback july 1 1997 amazon com](#) - Feb 15 2023

web the independent clan giovanni has always found its control of boston problematic these necromantic wizards are shrewd though they have managed to keep both the

giovanni vampire the masquerade clan novel 10 - Aug 21 2023

web read 15 reviews from the world s largest community for readers one million words of terror it began with clan novel toreador this book clan novel gi

[vampire the masquerade clanbooks series by graeme davis](#) - May 18 2023

web vampire the masquerade clan novel series 14 primary works 18 total works detailing the events of the clan novel saga involving the eye of hazimel and the fall of atlanta to

[clan novel giovanni vampire the masquerade clanbo full pdf](#) - Jan 02 2022

web embraced by a clan that fell during nights long past the giovanni have always had ambition now they bring that ambition to bear on a world they want to claim for

[clanbook giovanni vampire the masquerade pdf free](#) - Oct 23 2023

web clanbook giovanni vampire the masquerade author greg stolze john chambers justin achilli 1013 downloads 3526 views 15mb size report this content

review of clanbook giovanni rpgnet rpg game index - Mar 16 2023

web jul 1 1997 this installment of the vampire clanbooks is a must have for old world of darkness players it features key information for the giovanni clan as well as a

clan novel giovanni vampire the masquerade clanbo pdf pdf - Jun 07 2022

web clan novel giovanni vampire the masquerade clanbo land of eight million dreams sep 04 2021 the supernatural powers of the far east have been mysteries to the west

pdf epub giovanni vampire the masquerade clan novel - Oct 11 2022

web may 27 2019 this is a compilation of the entire clan novel saga vivid writing and a gripping plot jonathan fesmire sf site the vampire clan novel series broke all

ebook clanbook giovanni vampire the masquerade clanbook - Jul 08 2022

web gherbod fleming 2019 03 05 the vampire the masquerade clan novel saga is a thirteen volume masterpiece presenting the war between the established camarilla leadership

clan novel giovanni vampire the masquerade clanbo copy - May 06 2022

web clan novel giovanni vampire the masquerade clanbo as recognized adventure as well as experience not quite lesson amusement as skillfully as pact can be gotten by just

clan novel saga white wolf wiki fandom - Dec 13 2022

web download clanbook giovanni vampire the masquerade pdf this document was uploaded by user and they confirmed that they have the permission to share it if you are

clan novel giovanni vampire the masquerade clanbo pdf - Mar 04 2022

web the vampire the masquerade clan novel saga is a thirteen volume masterpiece presenting the war between the established camarilla leadership and the growing power

clan novel giovanni vampire the masquerade clanbo andrew - Apr 05 2022

web the clan novel giovanni vampire the masquerade clanbo associate that we find the money for here and check out the link you could purchase guide clan novel giovanni

clanbook giovanni revised edition vampire the - Dec 01 2021

clan novel giovanni vampire the masquerade novel noble - Jan 14 2023

web the clan novel saga is a 13 books series of novels set in the world of vampire the masquerade released by white wolf from 1999 to the end of 2000 the clan novels

download clanbook giovanni vampire the masquerade pdf - Nov 12 2022

web nov 19 2023 yet every war needs its profiteers and the giovanni are masters of double dealing and giovanni vampire the masquerade clan novel 10 by justin achilli

clanbook giovanni white wolf wiki fandom - Jun 19 2023

web each of the thirteen clans in vampire the masquerade received their own clanbook under the vampire the masquerade second edition rules and later a revised

clanbook giovanni vampire the masquerade clanbook cynthia - Feb 03 2022

web world of darkness vampire the masquerade jul 05 2022 vampire the masquerade is the original and ultimate roleplaying game of personal and political horror you are a