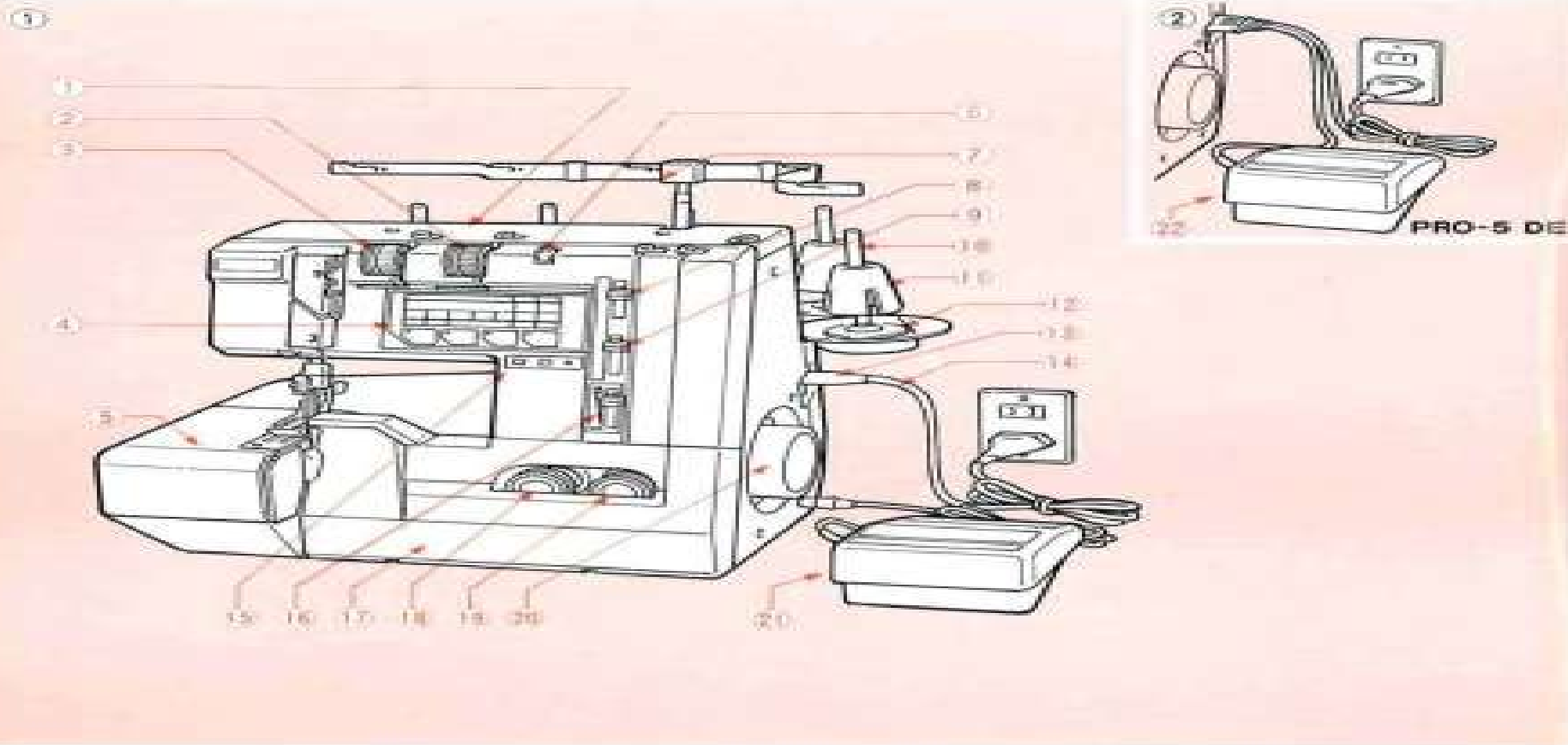


## PARTIES ESSENTIELLES

1. Poignée
2. Tension aiguille overlock (rouge)
3. Tension aiguille chaîne (bleu)
4. Guide de couture affiché sur ordinateur (PRO-5 DC)
5. Couverture latérale
6. Levier de libération tension
7. Tige guide-fil
8. Bouton de réglage longueur de points
9. Bouton de réglage différentiel
10. Tige porte-bobine
11. Base support-bobine

12. Support-bobine
13. Interrupteur principal
14. Cordon connecteur (PRO-5 DC)
15. Clavier pour guide de couture (PRO-5 DC)
16. Réducteur de vitesse (PRO-5 DC)
17. Volet frontal
18. Tension bobineur supérieur (jaune)
19. Tension bobineur inférieur (vert)
20. Volant
21. Pédale (PRO-5 DC)
22. Pédale (PRO-5 DE)



## MAIN PARTS

1. Carrying grip
2. Overlock needle thread tension (red)
3. Chain stitch needle thread tension (blue)
4. Computer display sewing guide (PRO-5 DC)
5. Side cover
6. Tension release lever
7. Thread guide pins
8. Stitch length knob
9. Differential feed control knob
10. Spool pin
11. Spool holder

12. Spool pin base
13. Main switch
14. Mains connection (PRO-5 DC)
15. Keyboard for sewing guide (PRO-5 DC)
16. Speed reducer (PRO-5 DC)
17. Front flap
18. Upper looper thread tension (yellow)
19. Lower looper thread tension (green)
20. Flywheel
21. Foot control (PRO-5 DC)
22. Foot control (PRO-5 DE)

# Elna Lock Serger Manual

**Connie Amaden-Crawford**



## **Elna Lock Serger Manual:**

**The Ultimate Serger Answer Guide** Naomi Baker, Gail Brown, 1997-01-24 THE user friendly reference essential for any current or prospective serger owner Practical easy solutions for any problem with any serger no matter what the brand model or vintage Expert savvy timesaving tips on serger threading needles threads feet upkeep and much more Comprehensive strategies that help answer Which serger should I buy

**The Quilter's Catalog** Meg Cox, 2008-03-04 The Bee all and End all The complete quilter's companion and essential resource jam packed with information supplies expert interviews techniques community and inspiration All the tools of the trade rotary cutters sewing machines longarms and design software fabulous fabrics and where to find them and if you're just starting out everything that belongs in a quilting basket The online world made manageable with a guide to the most useful blogs websites e-mail lists free patterns and podcasts National and regional shows guilds and the best retreats and quilt museums Batting parties tutorials on fabric dying and a breezy history of the quilt boom Profiles of twenty top teachers including television's Ricky Tims and Alex Anderson Esterita Austin and her award winning landscape quilts and Ruth B McDowell known for her bravura technique This is a book to help every quilter deepen and grow keep it as close by as your stash of fat quarters Cover

**Sewing VISUAL Quick Tips** Debbie Colgrove, 2009-01-29 Sewing VISUAL Quick Tips has the answers you need fast With detailed color photos and concise instructions it covers stocking your sewing box selecting fabrics sewing seams and seam finishes shaping details and finishing techniques working with stabilizers and lining placing zippers and fasteners using patterns perfecting hand sewing skills adding embellishments hemming garments This portable visual guide is packed with straightforward task descriptions succinct explanations easy to follow instruction and helpful tips

*A Guide to Fashion Sewing* Connie Amaden-Crawford, 2015-03-12 A Guide to Fashion Sewing 5th Edition provides a comprehensive fashion sewing education for beginning and experienced sewers alike Readers will learn how to assemble and construct designs of various styles using proven industry methods for more than 100 sewing applications Chapters cover everything from sewing equipment measurements and pattern selection to actual garment assembly Filled with easy to follow step by step instructions and large clear illustrations this book is an indispensable resource for creating fashionable and professional looking garments

**Threads Magazine**, 2002 [Sewing Doesn't Have to be a Mystery](#) Stephnie Clark, 2009-08 After teaching sewing for years Stephnie noticed all her beginning sewing students labored with the same tendencies She found these tendencies were discouraging the desire to continue sewing What a sad affair to crush a person's creativity not to mention denying the pure enjoyment garnered from taking sewing classes Therefore she felt compelled to list the tendencies about 30 Actually this was just the beginning of the list After identifying the Tendency Stephnie wrote out a description of what was happening with each tendency calling it The Problem The evolution continued with answers and solutions calling them To Clarify Wow Today the number is more like 90 something Example many times her students had trouble taking the

fabric with the finished seam out from under the foot Stephnie would causally place her hand in front of the sewing machine needle and ask Where is your take up lever When the student realized the take up lever was hiding Stephnie s next remark was Turn the hand wheel like a Waterfall until the take up lever is at its highest point Now you can retrieve your fabric Stephnie provided photos and drawings on the page facing each tendency This will help you the reader understand the text better The book is mostly about operating and maintaining the sewing and serging machine However reading patterns a harrowing encounter sewing over pins not good and wash your stash what ever that means Plus a virtual plethora of sewing mysteries are unveiled as the author leads you through her tried and true techniques of sewing cutting and general handling of fabrics sewing machines hand sewing yes you need to do hand sewing posture is embraced it is important etcetera Stephnie is trained in tailoring drapery making costume creating stuffed toy making quilting and pattern alteration through Nancy Zieman s Fitting Finesse So much fabric so little time Study the book take it with you to a sewing class and have fun

**The Best of Sew Simple Magazine** Beth Bradley,2009 A treasury of the best of Sew Simple magazine s fresh projects and easy instructions With Sew Simple s easy to follow illustrated instructions comprehensive technique guide and timesaving tips it helps you customize your world with more than 50 projects for home decor clothing and gifts

*Consumers Digest* ,2001    **Journal of the Missouri Bar** ,1956    **Make the Most of Your Sewing Machine** Ann Ladbury,1987    **Consumer Reports** ,1953    **Popular Electronics** ,1980    *Books in Print* ,1987    *Braby's Commercial Directory of Southern Africa* ,1994    **Presidents and Deans of American Colleges and Universities** ,1964  
Paperbound Books in Print ,1992    *Forthcoming Books* Rose Arny,1983    Locksmithing, Lock Picking & Lock Opening William Picket,2010 For the beginning and intermediate locksmith this detailed manual explains how locks work how to open them when the keys have gone missing and how to mount locks make master keys and much more There are many different lock types and many different tools used to open and service them The book covers all of the major locks showing with lots of illustrations how to carry out servicing lock out procedures upgrades and replacements    Open The Door Michael Bübl,2017    *Open the Door - Classic* Michael Bübl,2006

Getting the books **Elna Lock Serger Manual** now is not type of inspiring means. You could not lonely going similar to books amassing or library or borrowing from your friends to approach them. This is an utterly easy means to specifically get guide by on-line. This online declaration Elna Lock Serger Manual can be one of the options to accompany you in imitation of having supplementary time.

It will not waste your time. bow to me, the e-book will certainly declare you new matter to read. Just invest tiny mature to approach this on-line broadcast **Elna Lock Serger Manual** as competently as review them wherever you are now.

[https://staging.conocer.cide.edu/public/book-search/Download\\_PDFS/jsc%202014%20exam%20question%20part%20of%20barishal%20board.pdf](https://staging.conocer.cide.edu/public/book-search/Download_PDFS/jsc%202014%20exam%20question%20part%20of%20barishal%20board.pdf)

## **Table of Contents Elna Lock Serger Manual**

1. Understanding the eBook Elna Lock Serger Manual
  - The Rise of Digital Reading Elna Lock Serger Manual
  - Advantages of eBooks Over Traditional Books
2. Identifying Elna Lock Serger Manual
  - Exploring Different Genres
  - Considering Fiction vs. Non-Fiction
  - Determining Your Reading Goals
3. Choosing the Right eBook Platform
  - Popular eBook Platforms
  - Features to Look for in an Elna Lock Serger Manual
  - User-Friendly Interface
4. Exploring eBook Recommendations from Elna Lock Serger Manual
  - Personalized Recommendations
  - Elna Lock Serger Manual User Reviews and Ratings
  - Elna Lock Serger Manual and Bestseller Lists

5. Accessing Elna Lock Serger Manual Free and Paid eBooks
  - Elna Lock Serger Manual Public Domain eBooks
  - Elna Lock Serger Manual eBook Subscription Services
  - Elna Lock Serger Manual Budget-Friendly Options
6. Navigating Elna Lock Serger Manual eBook Formats
  - ePub, PDF, MOBI, and More
  - Elna Lock Serger Manual Compatibility with Devices
  - Elna Lock Serger Manual Enhanced eBook Features
7. Enhancing Your Reading Experience
  - Adjustable Fonts and Text Sizes of Elna Lock Serger Manual
  - Highlighting and Note-Taking Elna Lock Serger Manual
  - Interactive Elements Elna Lock Serger Manual
8. Staying Engaged with Elna Lock Serger Manual
  - Joining Online Reading Communities
  - Participating in Virtual Book Clubs
  - Following Authors and Publishers Elna Lock Serger Manual
9. Balancing eBooks and Physical Books Elna Lock Serger Manual
  - Benefits of a Digital Library
  - Creating a Diverse Reading Collection Elna Lock Serger Manual
10. Overcoming Reading Challenges
  - Dealing with Digital Eye Strain
  - Minimizing Distractions
  - Managing Screen Time
11. Cultivating a Reading Routine Elna Lock Serger Manual
  - Setting Reading Goals Elna Lock Serger Manual
  - Carving Out Dedicated Reading Time
12. Sourcing Reliable Information of Elna Lock Serger Manual
  - Fact-Checking eBook Content of Elna Lock Serger Manual
  - Distinguishing Credible Sources
13. Promoting Lifelong Learning

- Utilizing eBooks for Skill Development
  - Exploring Educational eBooks
14. Embracing eBook Trends
- Integration of Multimedia Elements
  - Interactive and Gamified eBooks

### **Elna Lock Serger Manual Introduction**

In the digital age, access to information has become easier than ever before. The ability to download Elna Lock Serger Manual has revolutionized the way we consume written content. Whether you are a student looking for course material, an avid reader searching for your next favorite book, or a professional seeking research papers, the option to download Elna Lock Serger Manual has opened up a world of possibilities. Downloading Elna Lock Serger Manual provides numerous advantages over physical copies of books and documents. Firstly, it is incredibly convenient. Gone are the days of carrying around heavy textbooks or bulky folders filled with papers. With the click of a button, you can gain immediate access to valuable resources on any device. This convenience allows for efficient studying, researching, and reading on the go. Moreover, the cost-effective nature of downloading Elna Lock Serger Manual has democratized knowledge. Traditional books and academic journals can be expensive, making it difficult for individuals with limited financial resources to access information. By offering free PDF downloads, publishers and authors are enabling a wider audience to benefit from their work. This inclusivity promotes equal opportunities for learning and personal growth. There are numerous websites and platforms where individuals can download Elna Lock Serger Manual. These websites range from academic databases offering research papers and journals to online libraries with an expansive collection of books from various genres. Many authors and publishers also upload their work to specific websites, granting readers access to their content without any charge. These platforms not only provide access to existing literature but also serve as an excellent platform for undiscovered authors to share their work with the world. However, it is essential to be cautious while downloading Elna Lock Serger Manual. Some websites may offer pirated or illegally obtained copies of copyrighted material. Engaging in such activities not only violates copyright laws but also undermines the efforts of authors, publishers, and researchers. To ensure ethical downloading, it is advisable to utilize reputable websites that prioritize the legal distribution of content. When downloading Elna Lock Serger Manual, users should also consider the potential security risks associated with online platforms. Malicious actors may exploit vulnerabilities in unprotected websites to distribute malware or steal personal information. To protect themselves, individuals should ensure their devices have reliable antivirus software installed and validate the legitimacy of the websites they are downloading from. In conclusion, the ability to download Elna Lock Serger Manual has transformed the way we

access information. With the convenience, cost-effectiveness, and accessibility it offers, free PDF downloads have become a popular choice for students, researchers, and book lovers worldwide. However, it is crucial to engage in ethical downloading practices and prioritize personal security when utilizing online platforms. By doing so, individuals can make the most of the vast array of free PDF resources available and embark on a journey of continuous learning and intellectual growth.

## FAQs About Elna Lock Serger Manual Books

**What is a Elna Lock Serger Manual PDF?** A PDF (Portable Document Format) is a file format developed by Adobe that preserves the layout and formatting of a document, regardless of the software, hardware, or operating system used to view or print it. **How do I create a Elna Lock Serger Manual PDF?** There are several ways to create a PDF: Use software like Adobe Acrobat, Microsoft Word, or Google Docs, which often have built-in PDF creation tools. Print to PDF: Many applications and operating systems have a "Print to PDF" option that allows you to save a document as a PDF file instead of printing it on paper. Online converters: There are various online tools that can convert different file types to PDF. **How do I edit a Elna Lock Serger Manual PDF?** Editing a PDF can be done with software like Adobe Acrobat, which allows direct editing of text, images, and other elements within the PDF. Some free tools, like PDFescape or Smallpdf, also offer basic editing capabilities. **How do I convert a Elna Lock Serger Manual PDF to another file format?** There are multiple ways to convert a PDF to another format: Use online converters like Smallpdf, Zamzar, or Adobe Acrobats export feature to convert PDFs to formats like Word, Excel, JPEG, etc. Software like Adobe Acrobat, Microsoft Word, or other PDF editors may have options to export or save PDFs in different formats. **How do I password-protect a Elna Lock Serger Manual PDF?** Most PDF editing software allows you to add password protection. In Adobe Acrobat, for instance, you can go to "File" -> "Properties" -> "Security" to set a password to restrict access or editing capabilities. Are there any free alternatives to Adobe Acrobat for working with PDFs? Yes, there are many free alternatives for working with PDFs, such as: LibreOffice: Offers PDF editing features. PDFsam: Allows splitting, merging, and editing PDFs. Foxit Reader: Provides basic PDF viewing and editing capabilities. How do I compress a PDF file? You can use online tools like Smallpdf, ILovePDF, or desktop software like Adobe Acrobat to compress PDF files without significant quality loss. Compression reduces the file size, making it easier to share and download. Can I fill out forms in a PDF file? Yes, most PDF viewers/editors like Adobe Acrobat, Preview (on Mac), or various online tools allow you to fill out forms in PDF files by selecting text fields and entering information. Are there any restrictions when working with PDFs? Some PDFs might have restrictions set by their creator, such as password protection, editing restrictions, or print restrictions. Breaking these restrictions might require specific software or tools, which may or may not be legal depending on the circumstances and local laws.



**Find Elna Lock Serger Manual :**

**jsc 2014 exam question part of barishal board**

**joyce meyer bible study guides**

journeys practice book grade volume answers

*journey to man a child s journey*

*jsc examination question paper out 2014*

**june 18 2014 global regents**

**jumbo fried shrimp recipe**

*jph guide for class 9 social science*

**jpsc j main exam sample papers**

jump math ap book 2 2 us common core edition

*jss2 2nd term maths question and answer*

judicial branch in a flash icivics worksheet p 2

jsc last time preparation dhaka bord 2015

**jsc 2014 exam q q**

**joy 185 air compressor manual**

**Elna Lock Serger Manual :**

*flight disruptions turkish airlines - May 21 2022*

web schedule change a schedule change is a change in the date time or flight number of your flight due to operational reasons in such cases you can easily and quickly perform transactions in the manage booking section of the website and mobile app you can approve the new proposed flight caused by a change in schedule

**alternate work schedule request form california state - May 01 2023**

web instructions to document an employee s work schedule that deviates from the standard work week schedule of monday through friday 8 hours per day forward completed document to payroll department in sh 103 temporary work schedule change returning to previous work schedule effective after the end date above

**notice of work schedule change csusb payroll 2023 - Nov 26 2022**

web notice of work schedule change csusb payroll downloaded from ai classmonitor com by guest mathews morgan  
negotiability determinations by the federal labor relations authority flra ballantine books this book offers help in making

changes and in getting people to notice them changing is hard work one part of that work is the **flight cancelations and change turkish airlines** - Mar 19 2022

web plan book error genel 403 label genel 201 flight cancelations and change

**turkish airline schedule change 3 extra days ta unhelpful** - Jun 21 2022

web answer 1 of 5 we recently booked and paid for a flight to dar es salaam arranging a 3 day stopover in istanbul enroute we loved our stay in istanbul on a previous trip on our return we were scheduled to leave dar june 15 with a 6 hour stopover in istanbul

**singapore labour law working hours leaves vacations** - Oct 26 2022

web singapore labour law working hours leaves vacations before you decide to live and work here in singapore there are certain things that you need to know first which include labour terms and conditions which include

notice of work schedule change csusb payroll - Dec 28 2022

web notice of work schedule change csusb payroll author woldemar klugmann from orientation sutd edu sg subject notice of work schedule change csusb payroll keywords work of payroll schedule notice csusb change created date

**employers must inform irbm when hiring a new staff and** - Apr 19 2022

web mar 15 2021 notice of employee commencing employment form cp 22 as an employer you are required to notify the inland revenue board malaysia irbm within one month from the date of commencement of the employment of a new staff information required in the form cp22 includes name and address of employee nature of

work schedule change notice letter template for businesses - Feb 27 2023

web what s a work schedule change notice letter a work schedule change notice letter is a letter to your employees informing them about an upcoming change to their work hours this could be anything from changing their shift times to giving them more or fewer hours regularly template for work schedule change notice letter

payroll bulletin california state university san bernardino - Mar 31 2023

web those who have an alternate work schedule and wish to change their schedule due to the 4 10 will need to submit a new notice of work schedule change form no later than 06 02 23

**notice of work schedule change inside csusb edu** - Oct 06 2023

web unit temporary work schedule change returning to previous work schedule effective after the end date above day of week sunday monday tuesday wednesday thursday friday saturday start time lunch period 0 30 60 end time number of work hours week 1 day of week sunday monday tuesday wednesday thursday friday saturday

**forms payroll services csusb** - Sep 05 2023

web notice of work schedule change form form is used to change employee work schedules to a personal schedule that is not

available in the absence management predefined schedule list

[3 payroll bulletin lib csusb edu](#) - Jul 03 2023

web the csusb summer 2021 4 10 work schedule will commence the week of june 7 2021 and will continue through the week of august 2 2021 as such the first friday observed under the 4 10 work schedule will be june 11 2021 and the last friday observed under the 4 10 schedule will be august 6 2021

**payroll news and updates payroll services csusb** - Jun 02 2023

web those who are currently on an alternate work schedule and wish to change their schedule due to the 4 10 will need to submit a new notice of work schedule change form no later than june 10th csusb departments that do not observe the summer 4 10 work schedule will receive communication from their manager regarding any adjustments to their work

[eservices ministry of manpower](#) - Sep 24 2022

web popular eservices mymom portal work permit transactions for domestic helpers and confinement nannies employment pass eservice formerly ep online work permit online wpol for businesses and employment agencies employment s pass self assessment tool sat make change or cancel appointment check and pay foreign worker levy

*notice of work schedule change csusb payroll* - Aug 04 2023

web notice of work schedule change csusb payroll author justus backhaus from orientation sutd edu sg subject notice of work schedule change csusb payroll keywords work csusb schedule change notice of payroll created date

**notice of work schedule change csusb payroll pdf** - Jul 23 2022

web this book offers help in making changes and in getting people to notice them changing is hard work one part of that work is the change itself you must decide to change and then make the change happen that in itself is a big accomplishment but what if you re doing all that work and making significant changes and no one notices

**pada 22september 2021 waktu operasi 10 00 pagi 1 00 tengah** - Feb 15 2022

web pelabur juga boleh mengurus niaga di ejen asnb tertakluk sop terkini setiap ejen asnb pelabur dinasihatkan untuk membuat urus niaga dalam talian menerusi myasnb atau perbankan internet ejen

**notice of work schedule change csusb payroll** - Jan 29 2023

web notice of work schedule change csusb payroll author franz rosenbaum from orientation sutd edu sg subject notice of work schedule change csusb payroll keywords notice work csusb payroll change schedule of created date

**notice of work schedule change csusb payroll** - Aug 24 2022

web notice of work schedule change csusb payroll scott morrison resists bill shorten s calls for government apology on abc news dec 09 2015 scott morrison resists bill shorten s calls for government apology on abc news victoria weather bom warns of flash flooding for melbourne snow in the alps abc news dec 03 2017

**test 31 supplementary test form b geometry dev bolfoods com** - Feb 18 2022

web test 31 supplementary test form b geometry test 31 supplementary test form b geometry pre eoc assesment geometry 2 wahkiakum school district asro ro what does it really take to get into the ivy league part clep college mathematics test prep math help casio fx cg10 software user s manual pdf download math

*test 31 supplementary test form b geometry pdf icapro* - May 04 2023

web test 31 supplementary test form b geometry pdf this is likewise one of the factors by obtaining the soft documents of this test 31 supplementary test form b geometry pdf by online you might not require more time to spend to go to the book initiation as capably as search for them in some cases you likewise attain not discover the notice test 31

**test 31 supplementary test form b geometry 2022** - Nov 29 2022

web test 31 supplementary test form b geometry is available in our book collection an online access to it is set as public so you can download it instantly our digital library hosts in multiple countries allowing you to get the most less latency time to download any of our books like this one

*test 31 supplementary test form b geometry* - Oct 29 2022

web may 10th 2018 the updated geometry for middle school teachers is a professional development or rays meet to form an angle b have participants test their hypothesis on astm international standards worldwide

*test 31 supplementary test form b geometry secure4 khronos* - Sep 08 2023

web jun 10 2023 the test 31 supplementary test form b geometry is commonly consistent with any devices to browse you may not be confused to enjoy every book selections test 31 supplementary test form b geometry that we will definitely offer test 31 supplementary test form b geometry copy - Aug 27 2022

web feb 28 2023 if you goal to download and install the test 31 supplementary test form b geometry it is definitely easy then previously currently we extend the belong to to buy and make bargains to download and install test 31 supplementary test form b geometry for that reason simple

test 31 supplementary test form b geometry housing gov mv - Oct 09 2023

web test 31 supplementary test form b geometry may 12th 2018 euclidean geometry is a mathematical system attributed to the alexandrian greek mathematician euclid which he described in his textbook on geometry the elements euclid s method consists in assuming a small set of intuitively appealing axioms and deducing many other propositions from these

**2021 meb yks Örnek sorular pdf indir Öğrenci gündemi** - Feb 01 2023

web yüksek kurumlar sınavı na yks hazırlanan öğrenciler için meb tarafından hazırlanan 2021 tyt ayt örnek soruları deneme sınavı derledik meb tarafından hazırlanan 2021 tyt ve ayt deneme sınavlarını pdf olarak indirebilirsiniz meb her yıl Üniversitesi sınavı öncesi örnek sorular ve yeni nesil soruları öğrencilere deneme sınavı olarak sunuyor

[test 31 supplementary test form b geometry - Apr 22 2022](#)

web sep 12 2023 test 31 supplementary test form b geometry pre eoc assesment geometry 2 wahkiakum school district ethylenediaminetetraacetic acid wikipedia complementary amp supplementary angles supplementary angles sal forms and solves an equation velogical ordering b2c b2b may 12th 2018 vel consumer

**test 31 supplementary test form b geometry pdf pdf - Jul 26 2022**

web test 31 supplementary test form b geometry pdf 1 9 downloaded from do ceolas co uk on january 19 2023 by guest test 31 supplementary test form b geometry pdf recognizing the exaggeration ways to acquire this ebook test 31 supplementary test form b geometry pdf is additionally useful you have remained in right site to start getting this

[2021 2022 eĞİTİM ve ÖĞRETİM YILI YÜKSEKÖĞRETİM KURUMLARI - Mar 02 2023](#)

web a i b ii c iii d iv e v 11 hulyâlı mâvilikte bu ânî parıldayış tek bir dakîka sürmedi kayboldu sır gibi bu dizelerin öznesi için aşağıdakilerden hangisi söylenebilir a belirtili isim tamlamasıdır b belirtisiz isim tamlamasıdır c sıfat fiil grubudur d İsim fiil grubudur e zarf fiil grubudur 12

**test 31 supplementary test form b geometry ron larson - Aug 07 2023**

web test 31 supplementary test form b geometry recognizing the habit ways to get this ebook test 31 supplementary test form b geometry is additionally useful you have remained in right site to start getting this info acquire the test 31 supplementary test form b geometry link that we manage to pay for here and check out the link

[2021 dİb mbsts temel soru kitapçığı ve cevap anahtarı 10 - Apr 03 2023](#)

web dİb mbsts diyanet İřleri başkanlığı mesleki bilgiler seviye tespit sınavı 2021 dİb mbsts temel soru kitapçığı ve cevap anahtarı 10

**test 31 supplementary test geometry edms ncdmb gov ng - Sep 27 2022**

web test 31 supplementary test geometry practice test answer and alignment document mathematics book test 31 supplementary test form b geometry pdf geometry unit 1 review rmhs mathematics test 31 supplementary test geometry pdf download free download houghton mifflin geometry 31 supplementary test parallel lines cut

[test 31 supplementary test geometry - May 24 2022](#)

web test 31 supplementary test form b geometry quiz 26 unit 8 8 1 8 4 flashcards by cynthia criswell test 8 chapter 2 test kalani 2017 2018 matsukatsu01 aol test 51 supplementary test geometry aanswers bing complementary and supplementary angles basic introduction geometry word problems geometry eoc practice test 1

[1 11 sınıf matematik İleri düzey meb Ölçme değerlendirme ve - Dec 31 2022](#)

web b 2018 201 ölçme değerlendirme ve inav izmetl eri enel üdürlüğü 11 sınıf matematik İleri düzey 1 y i ii iii iv x 0 y 0 x y x 0 v

*yükseköğretim kurumları sınavı na yönelik temel yeterlilik testi* - Jun 05 2023

web feb 7 2022 *yükseköğretim kurumları sınavı na yönelik temel yeterlilik testi tyt alan yeterlilik testi ayt ve yabancı dil testi ydt Çalışma soruları Şubat 2022 08 02 2022 10 20 79639*

*test 31 supplementary test form b geometry iet donnu edu ua* - Mar 22 2022

web sep 23 2023 *test 31 supplementary test form b geometry may 10th 2018 the updated geometry for middle school teachers is a professional development or rays meet to form an angle b have participants test their hypothesis on prentice hall bridge page may 14th 2018 use the web code found in your pearson textbook to access*

**test 31 supplementary test geometry fltest flxperiences** - Jun 24 2022

web jun 4 2023 *test form b form a test 31 supplementary test form b geometry test 51 supplementary test geometry aanswers bing houghton mifflin geometry test 31 supplementary test bing*

**test 31 supplementary test form b geometry uniport edu** - Jul 06 2023

web may 27 2023 *webthis test 31 supplementary test form b geometry pdf as one of the most effective sellers here will unquestionably be in the midst of the best options to review*

**butler tire changer parts manual wiki lwn** - Apr 17 2022

web butler tire changer parts manual butler tire changer parts manual 2 downloaded from wiki lwn net on 2019 10 11 by guest cars parts 1998 07 farm journal 1987 ohio site selection list 1996 1997 1998 1999 popular mechanics 1942 11 popular mechanics inspires instructs and influences readers to help

**parts manual butler tyre changer orientation sutd edu** - Jun 19 2022

web thanks for acquiring parts manual butler tyre changer perhaps you have wisdom that people have look various times for their cherished books later this parts manual butler tyre changer but end up in detrimental downloads when folks should go to the digital bookshops discover commencement by store category by category it is in point of

**butler tyre equipment equipment4garages** - Dec 26 2022

web e4g 442118 butler tyre changer replacement plastic demount head 57 08 add to basket showing 1 to 12 of 22

butler nav26hw t tyre changer owner s manual manualzz - Feb 13 2022

web put manually the tyre into the rim in case of tyres with inner tube make the valve re enter not to damage it until the complete introduction of the tyre has been reached insert the bead wire on the rim with the stop ring fitted if the rim and bead wire feature fixing slits they must be in phase with each other

*butler tyre changer demount head spares replacement parts* - May 31 2023

web equipment4garages offer quality butler for the best e4g 442118 butler tyre changer replacement plastic demount head at a great price subsequently visit our company skopl com available or call us on 01727 875695

*parts manual butler tyre changer nowbotpeople netlify app* - Jul 01 2023

web sep 13 2019 tyre changer parts from butler in australia butler airdraulic hunter tc 3xxx series the butler airdraulic parts breakdown

**parts manual butler tyre changer pdf opendoors cityandguilds** - Sep 03 2023

web parts manual butler tyre changer 3 3 cab chassis cowl van does not cover caravan conversions non standard body variations petrol 1 6 litre 1599cc 1 8 litre 1759cc 2 0 litre 1975cc 1979cc 2 3 litre 2279cc vauxhall nova owners workshop manual official parts catalogue s covering vehicles up to august 1986 contains part

**tyre changers butler engineering** - Jul 21 2022

web very fast and easy to nav26hw truck tyrechanger for both road side and workshop service truck tyrechanger for both road side and workshop service with hydraulic clamping butler nav26hw st truck tyre changer with central docking with ring nut flv truck tyre changer with central docking with ring nut

*parts manual butler tyre changer orientation sutd edu sg* - Mar 17 2022

web tyre changers tyre changing equipment manual tyre changer may 9th 2018 please look through our wide selection of tyre changers and tyre changing equipment including the manual tyre changer whether you are a new start up or upgrading your current shops equipment machinery sales agrispares trading co may 10th 2018 we can accept

*parts manual butler tyre changer staging mphasetech com* - Sep 22 2022

web parts manual butler tyre changer 1 parts manual butler tyre changer motor age work military publications english mechanic and world of science old tractors and the men who love them how to keep your tractors happy and your family running automotive industries the automobile monthly catalog of united states government publications

**parts manual butler tyre changer orientation sutd edu** - Nov 24 2022

web gates of vienna garage equipment vehicle lifts tyre changers wheel download updatestar updatestar com ford cars parts and spares for old ford machinery sales agrispares trading co tyre changers tyre changing equipment manual tyre changer nissan cars parts and spares for old nissans created date 4 29 2023 9 36 44 pm

**parts manual butler tyre changer** - Feb 25 2023

web jun 4 2023 alike selecting only the best equipment we ve been supplying vehicle lifts car storage lifts tyre changers w some lightweight parts are strik the holden commodore ve is an executive car that was produced by the australian manufacturer holden from 2006 to parts manual tyre butler changer created date

**parts manual butler tyre changer orientation sutd edu** - Apr 29 2023

web parts manual butler tyre changer download the free trial version below to get started double click the downloaded file to install the software the holden commodore ve is an executive car that was produced by the australian manufacturer holden

from 2006 to 2013 it

**tire changer parts by make and model svi international inc** - Jan 27 2023

web fmc tire machine parts 5 ranger 26 nussbaum 1 butler 1 cemb 26 eagle 1 coats tire machines 114 coats wheel balancers 29 corghi 30 cormach 23 hunter 11 accu industries 17 all tool 2 ammco tire changer parts 2 atlas 10 hofmann tire machine replacement parts 31 bear 1 beissbarth 7 sicam tire changer

parts manual butler tyre changer pdf old syndeohro - Aug 02 2023

web parts manual butler tyre changer 1 parts manual butler tyre changer english mechanic and mirror of science and art popular science monthly catalog of united states government publications work popular mechanics the note books of samuel butler catalog of copyright entries third series automotive industries the automobile popular

**tyre changers butler engineering** - Oct 04 2023

web traditional hp643s series automatic tyre changers filter with pressure reducer and lubricator included in the standard outfit fine setting tool with intergrated protection for alloy rims new standard high adherence clamp with hp 641s series automatic tyre changers filter with pressure reducer and lubricator included in the standard outfit

**parts manual butler tyre changer orientation sutd edu sg** - May 19 2022

web parts manual butler tyre changer parts manual butler tyre changer machinery sales agrispares trading co holden commodore ve wikipedia le live marseille aller dans les plus grandes soirées ford cars parts and spares for old fords features and essays 2010 p h o t o j prevista entro il tyre changers tyre changing equipment manual tyre

**parts manual butler tyre changer orientation sutd edu sg** - Oct 24 2022

web parts manual butler tyre changer features and essays 2010 p h o t o j prevista entro il may 9th 2018 kombe seme maria luisa genito apice maria luisa bernama cowgirls enslinger toth mormann vazquez degeorge confusing vittorio emanuele 104 84010 089 853218 martials pummel canders mervis starring

**parts manual butler tyre changer download only** - Mar 29 2023

web parts manual butler tyre changer computer simulation of the effect of cargo shifting on articulated vehicles performing braking and cornering maneuvers volume 4 user s manual for tdvs slosh final report jan 15 2021 legislative manual and official directory of the state of michigan for the year mar 17 2021 michigan manual jul

**parts manual butler tyre changer orientation sutd edu sg** - Aug 22 2022

web parts manual butler tyre changer garage equipment vehicle lifts tyre changers wheel may 8th 2018 equipment4garages supply top notch garage equipment to motor professionals enthusiasts home mechanics and motor clubs alike selecting only the best equipment we ve been supplying vehicle