



OM-1322

200 070N

March 2004

Processes



MIG (GMAW) Welding

Pulsed MIG (GMAW-P)



Flux Cored (FC) Welding

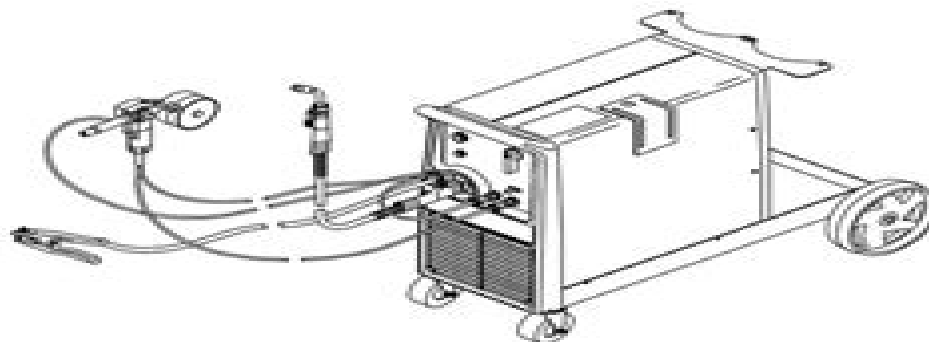
Description



Arc Welding Power Source
and Wire Feeder

Millermatic® Pulser

M-15 Gun And Spoolmate 3035 Spool Gun



OWNER'S MANUAL



Visit our website at

www.MillerWelds.com

Millermatic Pulser Manual

Mark Steyvers



Millermatic Pulser Manual:

CRC Handbook of Management of Radiation Protection Programs, Second Edition Kenneth L. Miller, 2020-08-11 CRC Handbook of Management of Radiation Protection Programs 2nd Edition is unique in that it offers practical guidance for managing various aspects of radiation protection programs ranging from the daily operation of a health physics office to the preparation of radiation experts for court appearances as professional witnesses The book also covers such topics as organization and management of nonionizing radiation safety programs with special emphasis on laser safety programs and management of radioactive waste personnel monitoring programs radiation accident victims internal exposure relative radiotoxicity and radiation therapy patients Other chapters discuss handling radiation accidents and education and training requirements for radiation protection Legal aspects covered in the book include the history of radiation court cases legal implications of record keeping and preparation for court appearances CRC Handbook of Management of Radiation Protection Programs 2nd Edition will be a valuable reference resource for medical and health physicists industrial hygienists physicians nuclear engineers radiation protection regulators radiation emergency management agents radiation safety committees and managers of facilities using ionizing and nonionizing radiation sources

Automotive Engineering International, 2000-07 Gas Tungsten Arc Welding Handbook William H. Minnick, 1996 Gas Tungsten Arc Welding Handbook provides complete and thorough coverage of the gas tungsten arc welding field Basic skills and proper procedures are presented in easy to understand language and combined with hundreds of illustrations to guide students in learning about GTAW Conforms with ANSI AWS standards *Design Manual for Transistor Circuits* John Millar Carroll, 1961 Pulse Amplifier Manual E. Fairstein, 1962 **Electrotransformation of Bacteria** Natalie Eynard, Justin Teissie, 2013-06-29 Creating bacteria with modified genetic properties allows the specific investigation of these microorganisms Electrotransformation is a highly efficient and easy to apply technique to introduce genetic material into bacterial cells A strong electric field is used for this purpose In the present manual protocols for the transformation of about 40 strains of bacteria are described Emphasis is placed on the individual critical procedural steps since the practical details mainly depend on the bacterial strain under investigation This presentation together with the theoretical introductory chapters allows the user to modify and adapt each protocol to his her own experiments Bacterial strains with relevance in the food industry biotechnology medical and veterinary fields agroindustry and environmental sciences are covered *Machinery* Lloyd, 1975 Official Gazette of the United States Patent Office United States. Patent Office, 1968 **Droptroopers** Larry W. Miller, Jr., 2007-10 A young corporal Jake Taggerty in the elite marine unit Strike Tigers is reassigned to a ship investigating strange communications outages Some of the outlying colonies have been attacked and Jake must find out who is doing it and why On top of that an alien presence is also in the system and has asked for the use of the colony planet to breed their hive Jake soon finds himself defending the aliens from their aggressors and trying to keep the few humans in the system alive as well If he fails the fragile

treaty will fall and the human race will be at war

Government Reports Annual Index ,1986

When people should go to the books stores, search introduction by shop, shelf by shelf, it is really problematic. This is why we provide the book compilations in this website. It will unquestionably ease you to see guide **Millermatic Pulser Manual** as you such as.

By searching the title, publisher, or authors of guide you truly want, you can discover them rapidly. In the house, workplace, or perhaps in your method can be all best place within net connections. If you point to download and install the Millermatic Pulser Manual, it is definitely easy then, previously currently we extend the member to purchase and make bargains to download and install Millermatic Pulser Manual thus simple!

https://staging.conocer.cide.edu/book/uploaded-files/index.jsp/Grade_11_Mathematics_Controlled_Test_3_Memorandum_2014.pdf

Table of Contents Millermatic Pulser Manual

1. Understanding the eBook Millermatic Pulser Manual
 - The Rise of Digital Reading Millermatic Pulser Manual
 - Advantages of eBooks Over Traditional Books
2. Identifying Millermatic Pulser Manual
 - Exploring Different Genres
 - Considering Fiction vs. Non-Fiction
 - Determining Your Reading Goals
3. Choosing the Right eBook Platform
 - Popular eBook Platforms
 - Features to Look for in an Millermatic Pulser Manual
 - User-Friendly Interface
4. Exploring eBook Recommendations from Millermatic Pulser Manual
 - Personalized Recommendations
 - Millermatic Pulser Manual User Reviews and Ratings

- Millermatic Pulser Manual and Bestseller Lists
- 5. Accessing Millermatic Pulser Manual Free and Paid eBooks
 - Millermatic Pulser Manual Public Domain eBooks
 - Millermatic Pulser Manual eBook Subscription Services
 - Millermatic Pulser Manual Budget-Friendly Options
- 6. Navigating Millermatic Pulser Manual eBook Formats
 - ePub, PDF, MOBI, and More
 - Millermatic Pulser Manual Compatibility with Devices
 - Millermatic Pulser Manual Enhanced eBook Features
- 7. Enhancing Your Reading Experience
 - Adjustable Fonts and Text Sizes of Millermatic Pulser Manual
 - Highlighting and Note-Taking Millermatic Pulser Manual
 - Interactive Elements Millermatic Pulser Manual
- 8. Staying Engaged with Millermatic Pulser Manual
 - Joining Online Reading Communities
 - Participating in Virtual Book Clubs
 - Following Authors and Publishers Millermatic Pulser Manual
- 9. Balancing eBooks and Physical Books Millermatic Pulser Manual
 - Benefits of a Digital Library
 - Creating a Diverse Reading Collection Millermatic Pulser Manual
- 10. Overcoming Reading Challenges
 - Dealing with Digital Eye Strain
 - Minimizing Distractions
 - Managing Screen Time
- 11. Cultivating a Reading Routine Millermatic Pulser Manual
 - Setting Reading Goals Millermatic Pulser Manual
 - Carving Out Dedicated Reading Time
- 12. Sourcing Reliable Information of Millermatic Pulser Manual
 - Fact-Checking eBook Content of Millermatic Pulser Manual
 - Distinguishing Credible Sources

13. Promoting Lifelong Learning
 - Utilizing eBooks for Skill Development
 - Exploring Educational eBooks
14. Embracing eBook Trends
 - Integration of Multimedia Elements
 - Interactive and Gamified eBooks

Millermatic Pulser Manual Introduction

In today's digital age, the availability of Millermatic Pulser Manual books and manuals for download has revolutionized the way we access information. Gone are the days of physically flipping through pages and carrying heavy textbooks or manuals. With just a few clicks, we can now access a wealth of knowledge from the comfort of our own homes or on the go. This article will explore the advantages of Millermatic Pulser Manual books and manuals for download, along with some popular platforms that offer these resources. One of the significant advantages of Millermatic Pulser Manual books and manuals for download is the cost-saving aspect. Traditional books and manuals can be costly, especially if you need to purchase several of them for educational or professional purposes. By accessing Millermatic Pulser Manual versions, you eliminate the need to spend money on physical copies. This not only saves you money but also reduces the environmental impact associated with book production and transportation. Furthermore, Millermatic Pulser Manual books and manuals for download are incredibly convenient. With just a computer or smartphone and an internet connection, you can access a vast library of resources on any subject imaginable. Whether you're a student looking for textbooks, a professional seeking industry-specific manuals, or someone interested in self-improvement, these digital resources provide an efficient and accessible means of acquiring knowledge. Moreover, PDF books and manuals offer a range of benefits compared to other digital formats. PDF files are designed to retain their formatting regardless of the device used to open them. This ensures that the content appears exactly as intended by the author, with no loss of formatting or missing graphics. Additionally, PDF files can be easily annotated, bookmarked, and searched for specific terms, making them highly practical for studying or referencing. When it comes to accessing Millermatic Pulser Manual books and manuals, several platforms offer an extensive collection of resources. One such platform is Project Gutenberg, a nonprofit organization that provides over 60,000 free eBooks. These books are primarily in the public domain, meaning they can be freely distributed and downloaded. Project Gutenberg offers a wide range of classic literature, making it an excellent resource for literature enthusiasts. Another popular platform for Millermatic Pulser Manual books and manuals is Open Library. Open Library is an initiative of the Internet Archive, a nonprofit organization dedicated to digitizing cultural artifacts and making them accessible to the public. Open Library hosts

millions of books, including both public domain works and contemporary titles. It also allows users to borrow digital copies of certain books for a limited period, similar to a library lending system. Additionally, many universities and educational institutions have their own digital libraries that provide free access to PDF books and manuals. These libraries often offer academic texts, research papers, and technical manuals, making them invaluable resources for students and researchers. Some notable examples include MIT OpenCourseWare, which offers free access to course materials from the Massachusetts Institute of Technology, and the Digital Public Library of America, which provides a vast collection of digitized books and historical documents. In conclusion, Millermatic Pulser Manual books and manuals for download have transformed the way we access information. They provide a cost-effective and convenient means of acquiring knowledge, offering the ability to access a vast library of resources at our fingertips. With platforms like Project Gutenberg, Open Library, and various digital libraries offered by educational institutions, we have access to an ever-expanding collection of books and manuals. Whether for educational, professional, or personal purposes, these digital resources serve as valuable tools for continuous learning and self-improvement. So why not take advantage of the vast world of Millermatic Pulser Manual books and manuals for download and embark on your journey of knowledge?

FAQs About Millermatic Pulser Manual Books

What is a Millermatic Pulser Manual PDF? A PDF (Portable Document Format) is a file format developed by Adobe that preserves the layout and formatting of a document, regardless of the software, hardware, or operating system used to view or print it. **How do I create a Millermatic Pulser Manual PDF?** There are several ways to create a PDF: Use software like Adobe Acrobat, Microsoft Word, or Google Docs, which often have built-in PDF creation tools. Print to PDF: Many applications and operating systems have a "Print to PDF" option that allows you to save a document as a PDF file instead of printing it on paper. Online converters: There are various online tools that can convert different file types to PDF. **How do I edit a Millermatic Pulser Manual PDF?** Editing a PDF can be done with software like Adobe Acrobat, which allows direct editing of text, images, and other elements within the PDF. Some free tools, like PDFescape or Smallpdf, also offer basic editing capabilities. **How do I convert a Millermatic Pulser Manual PDF to another file format?** There are multiple ways to convert a PDF to another format: Use online converters like Smallpdf, Zamzar, or Adobe Acrobats export feature to convert PDFs to formats like Word, Excel, JPEG, etc. Software like Adobe Acrobat, Microsoft Word, or other PDF editors may have options to export or save PDFs in different formats. **How do I password-protect a Millermatic Pulser Manual PDF?** Most PDF editing software allows you to add password protection. In Adobe Acrobat, for instance, you can go to "File" -> "Properties" -> "Security" to set a password to restrict access or editing capabilities. Are there any free alternatives to Adobe

Acrobat for working with PDFs? Yes, there are many free alternatives for working with PDFs, such as: LibreOffice: Offers PDF editing features. PDFsam: Allows splitting, merging, and editing PDFs. Foxit Reader: Provides basic PDF viewing and editing capabilities. How do I compress a PDF file? You can use online tools like Smallpdf, ILovePDF, or desktop software like Adobe Acrobat to compress PDF files without significant quality loss. Compression reduces the file size, making it easier to share and download. Can I fill out forms in a PDF file? Yes, most PDF viewers/editors like Adobe Acrobat, Preview (on Mac), or various online tools allow you to fill out forms in PDF files by selecting text fields and entering information. Are there any restrictions when working with PDFs? Some PDFs might have restrictions set by their creator, such as password protection, editing restrictions, or print restrictions. Breaking these restrictions might require specific software or tools, which may or may not be legal depending on the circumstances and local laws.

Find Millermatic Pulser Manual :

[grade 11 mathematics controlled test 3 memorandum 2014](#)

[grade 11 2013 life orientation exam](#)

[grade 10 maths paper 2 november 2012](#)

grade 11 life sciences essay p1 november

[grade 10 snc2d physics optics unit test](#)

[grade 11 economics final paper 1 2014](#)

[grade 11 gauteng province exemplar for 2013](#)

[grade 11 oxford physics exaplars solutions](#)

[grade 11 grammar and language workbook answers](#)

[grade 10 physical sciences chemistry p2 exemplar 2012 memoranda](#)

[grade 11 2012 mathematics memorandum limpopo province](#)

[grade 11 2013 maths paper 1 of limpopp](#)

[grade 11 physical science june exam memorandum](#)

[grade 11 2014 chemistry june exam memo](#)

[grade 11 mathematics paper 1 june](#)

Millermatic Pulser Manual :

integrated algebra regents august 2012 online math help - Jun 13 2023

web integrated algebra august 2012 regents q 14 20 14 what are the coordinates of the vertex and the equation of the axis of symmetry of the parabola shown in the graph

integrated algebra regents answers august 2013 pdf - Apr 30 2022

web integrated algebra regents answers august 2013 downloaded from eagldemo2 eagltechnology com by guest kaleigh cameron algebra 2012 regents

integrated algebra - May 12 2023

web integrated algebra thursday august 16 2012 8 30 to 11 30 a m only student name school name print your name and the name of your school on the

nys integrated algebra regents june 2012 answers - Dec 27 2021

web barron s two book regents algebra i power pack provides comprehensive review actual administered exams and practice questions to help students prepare for the algebra i

integrated algebra new york regents high school past - Aug 15 2023

web regents august 2012 exam integrated algebra view with answers or solve this paper interactively view examination paper with answers see also share this page with friends

integrated algebra jmap - Mar 10 2023

web regents high school examination integrated algebra thursday june 14 2012 1 15 to 4 15 p m only print your name and the name of your school on the

integrated algebra regents august 2012 answer key - Mar 30 2022

web nearly the costs its virtually what you dependence currently this integrated algebra regents august 2012 answer key as one of the most operating sellers here will

download file integrated algebra august 2012 regents answers - Dec 07 2022

web apr 28 2023 download file integrated algebra august 2012 regents answers explained pdf free copy archive regents examination in united states history living

archive regents examination in integrated algebra 2005 - Oct 17 2023

web aug 31 2022 scoring clarification for teachers august 2012 regents examination in integrated algebra question 38 16 kb june 2012 regents examination in

[integrated algebra new york regents august 2012 exam](#) - Jul 14 2023

web home examinations nysed regents exams integrated algebra integrated algebra new york regents august 2012 exam formats view examination paper

integrated algebra regents august 2012 answer key book - Nov 25 2021

web integrated algebra regents august 2012 answer key 4 downloaded from pivotid uvu edu on 2022 08 21 by guest teachers feedback on hillsdale standards 10 yea 4 meh

integrated algebra regents answers squarespace - Oct 05 2022

web february 2016 special administration june 2015 january 2015 august 2014 june 2014 january 2014 august 2013 june 2013 january 2013 regents examination in

integrated algebra regents august 2012 answer key pdf pdf - Jul 02 2022

web integrated algebra regents august 2012 answer key pdf yeah reviewing a ebook integrated algebra regents august 2012 answer key pdf could amass your close

thursday studentname r y j ba a p jmap - Sep 16 2023

web integrated algebra the university of the state of new york regents high school examination integrated algebra thursday august 16 2012

integrated algebra regents august 2012 answer key - Jan 28 2022

web sep 18 2023 integrated algebra regents august 2012 answer key author subsites imoney my 2023 09 18 20 19 36 subject integrated algebra regents august

integrated algebra regents august 2012 answer key pdf copy - Nov 06 2022

web integrated algebra regents august 2012 answer key pdf pages 2 24 integrated algebra regents august 2012 answer key pdf upload betty y boyle 2 24 downloaded

integrated algebra regents 2012 answers june full pdf - Feb 26 2022

web integrated algebra regents august 2012 examples the university of the state of new york regents examinations answers for integrated algebra

integrated algebra regents august 2012 answer key copy - Jun 01 2022

web integrated algebra regents august 2012 answer key 2 10 downloaded from uniport edu ng on october 26 2023 by guest those assets can amount to significant

integrated algebra - Jan 08 2023

web use this space for 7 which value of x is the solution of computations $1\ 3\ 2\ 15\ 4\ 15\ 8$ the product of a number and 3 increased by 5 is 7 less than twice the number which

integrated algebra regents august 2012 answer key pdf pdf - Feb 09 2023

web chosen novels like this integrated algebra regents august 2012 answer key pdf but end up in malicious downloads rather than reading a good book with a cup of coffee in

integrated algebra regents august 2012 answer key 2023 - Sep 04 2022

web integrated algebra regents august 2012 integrated algebra regents august 2012 related with integrated algebra regents august 2012 answer key lewis structure

regents examination in algebra i - Apr 11 2023

web aug 31 2023 august 2022 regents examination in algebra i regular size version 88 kb large type version 121 kb scoring key pdf version 130 kb excel version 19

[integrated algebra regents august 2012 answer key download](#) - Aug 03 2022

web title integrated algebra regents august 2012 answer key download only demo1 woodropship com author cassius griffin subject integrated algebra regents

handsonagronomyunderstandingsoilfertilityan 2022 - Apr 29 2022

web sustained soil fertility directly links to nutrient cycling and soil organic matter a selected set of papers addresses the improvements in resource use efficiency and as such their

hands on agronomy on apple books - Nov 05 2022

web feb 17 2014 the whats and whys of micronutrients earthworms soil drainage tilth soil structure and organic matter are explained in detail kinsey shows us how working with

hands on agronomy by neal kinsey acres usa - Aug 02 2022

web the soil is more than just a substrate that anchors crops in place an ecologically balanced soil system is essential for maintaining healthy crops hands on agronomy is a

neal kinsey s hands on agronomy understanding soil - Aug 14 2023

web hands on agronomy is a comprehensive manual on soil management neal kinsey shows how working with the soil produces healthier crops with a higher yield the whats and whys of

[hands on agronomy understanding soil fertility an j w schwartz](#) - Dec 26 2021

web hands on agronomy understanding soil fertility an this is likewise one of the factors by obtaining the soft documents of this hands on agronomy understanding soil

agronomy free full text assessment and application of epic - Oct 24 2021

web 1 day ago a suitable nitrogen n application rate nar and ideal planting period could improve upland rice productivity enhance the soil water utilization and reduce n losses

[hands on agronomy understanding soil fertility an 2023](#) - May 11 2023

web beginning with classification of soils and their physical and chemical properties it deals systematically with all such topics as soil acidity soil moisture soil organisms

hands on agronomy understanding soil fertility an - Nov 24 2021

web kindly say the hands on agronomy understanding soil fertility an is universally compatible with any devices to read soil fertility and animal health william albert

neal kinsey s hands on agronomy understanding soil - Jan 07 2023

web neal kinsey s hands on agronomy understanding soil fertility fertilizer use kinsey neal walters charles 9781601730404 books amazon ca

hands on agronomy 3rd edition understanding soil fertility and - Feb 08 2023

web hands on agronomy 3rd edition understanding soil fertility and fertilizer use paperback 15 august 2013 the soil is much more than just a substrate that anchors

handsonagronomyunderstandingsoilfertilityan old ariavara - Jul 21 2021

web neal kinsey s hands on agronomy soil fertility and crop production 1895 1930 advances in agronomy soil fertility and nutrient management the art of balancing

handsonagronomyunderstandingsoilfertilityan 2022 - Sep 22 2021

web soil fertility neal kinsey s hands on agronomy advances in organic farming soil fertility and fertilizers crops and methods for soil improvement come to truly

neal kinsey s hands on agronomy understanding soil fertility - Dec 06 2022

web understanding soil fertility and fertilizer use and hands on agronomy understanding soil fertility and fertilizer use published austin texas acres u s a inc 2013

hands on agronomy understanding soil fertility and fertilizer - Oct 04 2022

web aug 15 2013 an ecologically balanced soil system is essential for maintaining healthy crops hands on agronomy is a comprehensive manual on effective soil

handsonagronomyunderstandingsoilfertility an - Apr 10 2023

web agronomy is the field of science that takes into account a more holistic and integrated view of the agriculture and all the important fields related to it it encompasses soil

neal kinsey s hands on agronomy understanding soil fertility - Jul 13 2023

web hands on agronomy covers the major fertility elements stressing that accurate soil analyses and audits are key for quality crop production discover why simple n p k

agronomy free full text a quantitative reconstruction of - Aug 22 2021

web sep 14 2023 the quaternary red soil widely distributed in china is an important arable land resource a quantitative understanding of nutrient changes of quaternary red soils

hands on agronomy understanding soil fertility and fertilizer - Mar 29 2022

web by neal kinsey rakuten kobo hands on agronomy understanding soil fertility and neal kinsey s hands on agronomy understanding soil the soil is much more than just a

hands on agronomy understanding soil fertility and alibris - Jul 01 2022

web the soil is more than just a substrate that anchors crops in place an ecologically balanced soil system is essential for maintaining healthy crops hands on agronomy is a

hands on agronomy 3rd edition amazon com - Jun 12 2023

web aug 15 2013 hands on agronomy covers the major fertility elements stressing that accurate soil analyses and audits are key for quality crop production discover why

hands on agronomy understanding soil fertility and fertilizer use - Sep 03 2022

web an ecologically balanced soil system is essential for maintaining healthy crops hands on agronomy is a comprehensive manual on effective soil management the function of

hands on agronomy by neil kinsey boffins books - Feb 25 2022

web buy hands on agronomy understanding soil fertility and fertilizer use by neil kinsey from boffins books in perth australia softcover published in 2013 by acres u s a

hands on agronomy understanding soil fertility an - May 31 2022

web hands on agronomy understanding soil fertility an properties and management of soils in the tropics dec 06 2020 soil science for gardeners is an accessible

hands on agronomy understanding soil fertility fertilizer use - Mar 09 2023

web in hands on agronomy neal kinsey shows us how working with the soil to bring it into balance produces healthier crops with a higher yield meticulously revised and

stable hands on agronomy understanding soil fertility and - Jan 27 2022

web mar 19 2019 read the latest magazines about stable hands on agronomy understanding soil fertility and fertilizer use ebook pdf download and discover

henry lee s crime scene handbook google books - Sep 09 2023

web jul 11 2001 henry lee s crime scene handbook outlines proven methods to help you collect and process physical evidence correctly analyze it thoroughly and understand its relevance to the case involved it

[henry lee s crime scene handbook 1st edition amazon com](#) - Jun 06 2023

web jul 25 2001 henry lee s crime scene handbook outlines proven methods to help you collect and process physical evidence correctly analyze it thoroughly and understand its relevance to the case involved it evaluates the newest chemical and instrumental techniques and covers new areas such as forensic analysis of computers and advanced

henry lee s crime scene handbook 1st edition elsevier - Jul 07 2023

web jun 26 2001 henry lee s crime scene handbook outlines proven methods to help you collect and process physical evidence correctly analyze it thoroughly and understand its relevance to the case involved it evaluates the newest chemical and instrumental techniques and covers new areas such as forensic analysis of computers and advanced

henry lee s crime scene handbook second edition amazon com - Apr 23 2022

web feb 1 2006 product details publisher academic press inc u s 2rev ed edition february 1 2006 language english hardcover 300 pages isbn 10 0124406211 isbn 13 978 0124406216

henry lee s crime scene handbook 1st edition kindle edition - Jun 25 2022

web jun 26 2001 henry lee s crime scene handbook outlines proven methods to help you collect and process physical evidence correctly analyze it thoroughly and understand its relevance to the case involved

henry lee s crime scene handbook by henry c lee goodreads - Apr 04 2023

web jun 30 2001 henry lee s crime scene handbook outlines proven methods to help you collect and process physical evidence correctly analyze it thoroughly and understand its relevance to the case involved it evaluates the newest chemical and instrumental techniques and covers new areas such as forensic analysis of computers and advanced

henry lee s crime scene handbook edition 1 hardcover - Jan 01 2023

web jul 11 2001 henry lee s crime scene handbook outlines proven methods to help you collect and process physical evidence correctly analyze it thoroughly and understand its relevance to the case involved

henry lee s crime scene handbook amazon com - Sep 28 2022

web jul 10 2001 paperback 687 13 1 used from 687 13 henry lee s crime scene handbook outlines proven methods to help you collect and process physical evidence correctly analyze it thoroughly and understand its relevance to the case involved

henry lee s crime scene handbook by henry c lee open library - May 05 2023

web dec 8 2022 henry lee s crime scene handbook by henry c lee 0 ratings 4 want to read 0 currently reading 0 have read this edition doesn t have a description yet can

henry lee s crime scene handbook amazon in - May 25 2022

web henry lee s crime scene handbook hardcover import 26 june 2001 by henry c lee author marilyn t miller author 1 more 4 6 44 ratings see all formats and editions kindle edition

henry lee s crime scene handbook semantic scholar - Feb 02 2023

web henry lee s crime scene handbook henry c lee t palmbach marilyn t miller published 26 june 2001 law

free crime scene guidebook the henry c lee institute of - Jul 27 2022

web this crime scene guidebook by dr henry c lee and the members of the henry c lee institute has been devised for use in

the field and as a review of basic crime scene procedures and protocols the guidebook is divided into three sections to assist those in detective divisions or crime scene units especially those from smaller departments in

[henry lees crime scene abebooks](#) - Oct 30 2022

web henry lees crime scene handbook by lee henry c palmbach timothy miller marilyn t and a great selection of related books art and collectibles available now at abebooks com

henry lee s crime scene handbook hardcover 28 feb 2010 - Aug 28 2022

web feb 28 2010 henry lee s crime scene handbook hardcover 28 feb 2010 by lee henry author see all formats and editions hardcover 684 89 3 used from 682 10 in the two years since this text was first published there has been a dramatic increase in awareness regarding crime scene evidence

henry lee s crime scene handbook hardcover amazon co uk - Mar 03 2023

web henry lee s crime scene handbook outlines proven methods to help you collect and process physical evidence correctly analyze it thoroughly and understand its relevance to the case involved it evaluates the newest chemical and instrumental techniques and covers new areas such as forensic analysis of computers and advanced shooting scene

[henry lee s crime scene handbook office of justice programs](#) - Aug 08 2023

web henry lee s crime scene handbook ncj number 193383 author s henry c lee timothy m palmbach marilyn t miller date published 2001 length 431 pages annotation this book describes the fundamental elements for successful crime scene investigations abstract

henry lee s crime scene handbook lee henry c archive org - Oct 10 2023

web henry lee s crime scene handbook lee henry c free download borrow and streaming internet archive

henry lee s crime scene handbook abebooks - Nov 30 2022

web henry lee s crime scene handbook miller marilyn t lee henry c palmbach timothy published by elsevier science technology 2001 isbn 10 0124408303 isbn 13 9780124408302 seller better world books mishawaka in u s a seller rating contact seller book used hardcover

full pdf henry lee s crime scene handbook studocu - Mar 23 2022

web key features presents a unique systematic approach to crime scene processing covers in detail how to manage a crime scene collect information search for collect and preserve physical evidence conduct field tests and reconstruct a sequence of events describes how to use the latest chemical and instrumental techniques for each kind