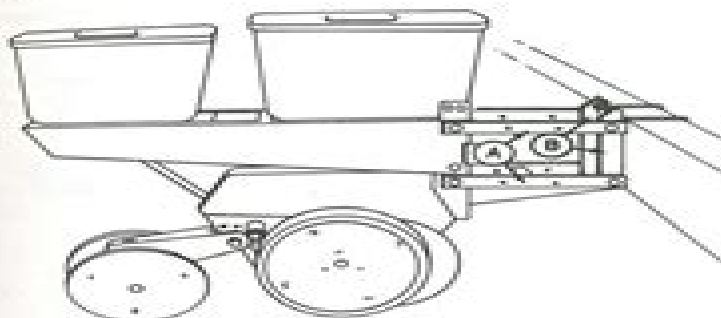




# Operating Adjustments

## LEVELING

For optimum field performance be certain the planter is level. To level the planter, proceed as follows:



A32870

A—Parallel Arms

B—Support Angles

The master cylinder and slave cylinders, if properly charged, will locate the bottom of the frame tube approximately 20 inches (510 mm) above the ground. Normally when planting, parallel arms (A) should run approximately parallel to the ground. The parallel arm support angles (B) on the planting units should be vertical.

## PLANTING DEPTH



A327142



Planting depth is controlled by the planting unit gauge wheels. Adjust planting depth as follows:

Raise planter to remove weight from unit gauge wheels. Lift depth adjusting handle and move it forward to decrease planting depth. Move the handle rearward to increase planting depth.

If small increments are desired, "walk" the handle from side to side. Adjust all rows to same setting as a starting point.

**NOTE:** When operating in the field, lower the planter only when the tractor is moving forward. This will prevent the planter openers from clogging in moist soil conditions.

Lower planter and drive at normal planting speed. Check the planting depth of all rows. Readjust handles as required to obtain desired depth.

Manufacturing variations in the planting units may require that the depth adjusting handles be positioned differently from row to row to achieve the same planting depth.

**NOTE:** Closing wheel pressure can affect seed placement and depth. Do not consider the entire center ridge left by closing wheels as part of seed depth. The loose soil in this ridge serves as mulch.

17-57

# John Deere 7000 Finger Planter Manual

**M Mark**



## **John Deere 7000 Finger Planter Manual:**

Immerse yourself in heartwarming tales of love and emotion with Explore Love with its touching creation, Tender Moments: **John Deere 7000 Finger Planter Manual** . This emotionally charged ebook, available for download in a PDF format ( \*), is a celebration of love in all its forms. Download now and let the warmth of these stories envelop your heart.

<https://staging.conocer.cide.edu/data/Resources/default.aspx/Italy%20Republic%20Without%20Government%20Comparative%20Modern%20Governments.pdf>

## **Table of Contents John Deere 7000 Finger Planter Manual**

1. Understanding the eBook John Deere 7000 Finger Planter Manual
  - The Rise of Digital Reading John Deere 7000 Finger Planter Manual
  - Advantages of eBooks Over Traditional Books
2. Identifying John Deere 7000 Finger Planter Manual
  - Exploring Different Genres
  - Considering Fiction vs. Non-Fiction
  - Determining Your Reading Goals
3. Choosing the Right eBook Platform
  - Popular eBook Platforms
  - Features to Look for in an John Deere 7000 Finger Planter Manual
  - User-Friendly Interface
4. Exploring eBook Recommendations from John Deere 7000 Finger Planter Manual
  - Personalized Recommendations
  - John Deere 7000 Finger Planter Manual User Reviews and Ratings
  - John Deere 7000 Finger Planter Manual and Bestseller Lists
5. Accessing John Deere 7000 Finger Planter Manual Free and Paid eBooks
  - John Deere 7000 Finger Planter Manual Public Domain eBooks
  - John Deere 7000 Finger Planter Manual eBook Subscription Services
  - John Deere 7000 Finger Planter Manual Budget-Friendly Options

6. Navigating John Deere 7000 Finger Planter Manual eBook Formats
  - ePub, PDF, MOBI, and More
  - John Deere 7000 Finger Planter Manual Compatibility with Devices
  - John Deere 7000 Finger Planter Manual Enhanced eBook Features
7. Enhancing Your Reading Experience
  - Adjustable Fonts and Text Sizes of John Deere 7000 Finger Planter Manual
  - Highlighting and Note-Taking John Deere 7000 Finger Planter Manual
  - Interactive Elements John Deere 7000 Finger Planter Manual
8. Staying Engaged with John Deere 7000 Finger Planter Manual
  - Joining Online Reading Communities
  - Participating in Virtual Book Clubs
  - Following Authors and Publishers John Deere 7000 Finger Planter Manual
9. Balancing eBooks and Physical Books John Deere 7000 Finger Planter Manual
  - Benefits of a Digital Library
  - Creating a Diverse Reading Collection John Deere 7000 Finger Planter Manual
10. Overcoming Reading Challenges
  - Dealing with Digital Eye Strain
  - Minimizing Distractions
  - Managing Screen Time
11. Cultivating a Reading Routine John Deere 7000 Finger Planter Manual
  - Setting Reading Goals John Deere 7000 Finger Planter Manual
  - Carving Out Dedicated Reading Time
12. Sourcing Reliable Information of John Deere 7000 Finger Planter Manual
  - Fact-Checking eBook Content of John Deere 7000 Finger Planter Manual
  - Distinguishing Credible Sources
13. Promoting Lifelong Learning
  - Utilizing eBooks for Skill Development
  - Exploring Educational eBooks
14. Embracing eBook Trends
  - Integration of Multimedia Elements

- 
- Interactive and Gamified eBooks

## **John Deere 7000 Finger Planter Manual Introduction**

John Deere 7000 Finger Planter Manual Offers over 60,000 free eBooks, including many classics that are in the public domain. Open Library: Provides access to over 1 million free eBooks, including classic literature and contemporary works. John Deere 7000 Finger Planter Manual Offers a vast collection of books, some of which are available for free as PDF downloads, particularly older books in the public domain. John Deere 7000 Finger Planter Manual : This website hosts a vast collection of scientific articles, books, and textbooks. While it operates in a legal gray area due to copyright issues, its a popular resource for finding various publications. Internet Archive for John Deere 7000 Finger Planter Manual : Has an extensive collection of digital content, including books, articles, videos, and more. It has a massive library of free downloadable books. Free-eBooks John Deere 7000 Finger Planter Manual Offers a diverse range of free eBooks across various genres. John Deere 7000 Finger Planter Manual Focuses mainly on educational books, textbooks, and business books. It offers free PDF downloads for educational purposes. John Deere 7000 Finger Planter Manual Provides a large selection of free eBooks in different genres, which are available for download in various formats, including PDF. Finding specific John Deere 7000 Finger Planter Manual, especially related to John Deere 7000 Finger Planter Manual, might be challenging as theyre often artistic creations rather than practical blueprints. However, you can explore the following steps to search for or create your own Online Searches: Look for websites, forums, or blogs dedicated to John Deere 7000 Finger Planter Manual, Sometimes enthusiasts share their designs or concepts in PDF format. Books and Magazines Some John Deere 7000 Finger Planter Manual books or magazines might include. Look for these in online stores or libraries. Remember that while John Deere 7000 Finger Planter Manual, sharing copyrighted material without permission is not legal. Always ensure youre either creating your own or obtaining them from legitimate sources that allow sharing and downloading. Library Check if your local library offers eBook lending services. Many libraries have digital catalogs where you can borrow John Deere 7000 Finger Planter Manual eBooks for free, including popular titles. Online Retailers: Websites like Amazon, Google Books, or Apple Books often sell eBooks. Sometimes, authors or publishers offer promotions or free periods for certain books. Authors Website Occasionally, authors provide excerpts or short stories for free on their websites. While this might not be the John Deere 7000 Finger Planter Manual full book , it can give you a taste of the authors writing style. Subscription Services Platforms like Kindle Unlimited or Scribd offer subscription-based access to a wide range of John Deere 7000 Finger Planter Manual eBooks, including some popular titles.

---

## FAQs About John Deere 7000 Finger Planter Manual Books

**What is a John Deere 7000 Finger Planter Manual PDF?** A PDF (Portable Document Format) is a file format developed by Adobe that preserves the layout and formatting of a document, regardless of the software, hardware, or operating system used to view or print it. **How do I create a John Deere 7000 Finger Planter Manual PDF?** There are several ways to create a PDF: Use software like Adobe Acrobat, Microsoft Word, or Google Docs, which often have built-in PDF creation tools. Print to PDF: Many applications and operating systems have a "Print to PDF" option that allows you to save a document as a PDF file instead of printing it on paper. Online converters: There are various online tools that can convert different file types to PDF. **How do I edit a John Deere 7000 Finger Planter Manual PDF?** Editing a PDF can be done with software like Adobe Acrobat, which allows direct editing of text, images, and other elements within the PDF. Some free tools, like PDFescape or Smallpdf, also offer basic editing capabilities. **How do I convert a John Deere 7000 Finger Planter Manual PDF to another file format?** There are multiple ways to convert a PDF to another format: Use online converters like Smallpdf, Zamzar, or Adobe Acrobats export feature to convert PDFs to formats like Word, Excel, JPEG, etc. Software like Adobe Acrobat, Microsoft Word, or other PDF editors may have options to export or save PDFs in different formats. **How do I password-protect a John Deere 7000 Finger Planter Manual PDF?** Most PDF editing software allows you to add password protection. In Adobe Acrobat, for instance, you can go to "File" -> "Properties" -> "Security" to set a password to restrict access or editing capabilities. Are there any free alternatives to Adobe Acrobat for working with PDFs? Yes, there are many free alternatives for working with PDFs, such as: LibreOffice: Offers PDF editing features. PDFsam: Allows splitting, merging, and editing PDFs. Foxit Reader: Provides basic PDF viewing and editing capabilities. How do I compress a PDF file? You can use online tools like Smallpdf, ILovePDF, or desktop software like Adobe Acrobat to compress PDF files without significant quality loss. Compression reduces the file size, making it easier to share and download. Can I fill out forms in a PDF file? Yes, most PDF viewers/editors like Adobe Acrobat, Preview (on Mac), or various online tools allow you to fill out forms in PDF files by selecting text fields and entering information. Are there any restrictions when working with PDFs? Some PDFs might have restrictions set by their creator, such as password protection, editing restrictions, or print restrictions. Breaking these restrictions might require specific software or tools, which may or may not be legal depending on the circumstances and local laws.

### Find John Deere 7000 Finger Planter Manual :

*italy republic without government comparative modern governments*  
[its a wonderful life a hollywood classic](#)

**ivan straus**

**italian pleasures**

it outsourcing guide

*ivory tower and industrial innovation*

italian american family album

ivan iii the unification of russia

*it looks a lot like reindeer*

it happened in america true stories from the fifty states

**italian american reader a collection of outstanding fiction memoirs journalism essays and poetry**

**its time golden sight n sound**

it happened in hamelin

*italian renaissance maiolica from the*

ivan pavlov exploring the animal machine

**John Deere 7000 Finger Planter Manual :**

**jazz harmonielehre funktionsharmonik und modalität by axel** - Jul 04 2022

web sep 10 2023 jazz harmonielehre funktionsharmonik und modalität by axel jungbluth author online kptm edu my 2023  
09 10 19 13 39 subject jazz harmonielehre funktionsharmonik und modalität by axel jungbluth keywords jazz harmonielehre  
funktionsharmonik und modalität by axel jungbluth created

jazz harmonielehre funktionsharmonik und modalität by axel - Jun 03 2022

web jun 19 2023 jazz harmonielehre funktionsharmonik und modalität by axel jungbluth rc miit edu mm keywords digital  
resources find digital datasheets resources jazz harmonielehre funktionsharmonik und modalität jazz harmonielehre  
funktionsharmonik und modalität book full text of serban nichifor curriculum vitae

*jazzharmonielehre* - Oct 19 2023

web 15 3 2 mischung von pedal point und ostinato 16 compound chords 16 1 erläuterung 16 2 hybridakkorde 16 3 polychords  
16 4 zusammenfassung compound chords 17 modale harmonik 17 1 unterschied zwischen modaler harmonik und  
funktionsharmonik 17 2 die kirchentonarten als tonale zentren 17 3 spezifische

*jazz harmonielehre funktionsharmonik und modalität by axel* - Feb 28 2022

web jazz harmonielehre funktionsharmonik und modalität by axel jungbluth rc miit edu mm keywords jazz harmonielehre  
funktionsharmonik und modalität full text of serban nichifor curriculum vitae 2013 digital resources find digital datasheets



resources jazz harmonielehre funktionsharmonik und modalität book created date 6 12 2023

*jazz harmonielehre funktionsharmonik und modalität by axel* - Jul 16 2023

web jazz harmonielehre funktionsharmonik und modalität by axel jungbluth orientation sutd edu sg keywords digital

resources find digital datasheets resources full text of serban nichifor curriculum vitae 2013 jazz harmonielehre

funktionsharmonik und modalität book jazz harmonielehre funktionsharmonik und modalität

**free jazz harmonielehre funktionsharmonik und modalita** - Oct 07 2022

web jazz harmonielehre nov 10 2022 funktionsharmonik 2 0 feb 13 2023 funktionsharmonik 2 0 ist in ein neuer ansatz zum

verständnis von musiktheorie und harmonielehre das hauptaugenmerk des autors liegt sowohl auf dem verstehen

musikalischer abläufe und verfahren als

*jazz harmonielehre funktionsharmonik und modalita* - Jun 15 2023

web jazz harmonielehre funktionsharmonik und modalita the gesualdo hex music myth and memory may 13 2023 a riveting

investigation of one of the most provocative musicians of the renaissance who continues to captivate composers artists and

audiences today in this vivid tale of adultery

**jazz harmonielehre funktionsharmonik und modalität** - Apr 13 2023

web seite 1 von 1 jazz harmonielehre theoretische grundlagen und praktische anwendung axel jungbluth 12 musiknoten 31

angebote ab 19 80 jeder kann kindle bücher lesen selbst ohne ein kindle gerät mit der kostenfreien kindle app für

smartphones tablets und computer

**jazzharmonik wikipedia** - Aug 17 2023

web axel jungbluth jazz harmonielehre funktionsharmonik und modalität schott mainz u a 1981 isbn 3 7957 2412 0 axel

jungbluth praxis jazz harmonisation anleitung zum harmonisieren schott mainz u a 1989 isbn 3 7957 0125 2 frank sikora

neue jazz harmonielehre verstehen hören spielen von der theorie zur improvisation

*jazz harmonielehre funktionsharmonik und modalität by axel* - Sep 06 2022

web sep 7 2023 jazz harmonielehre funktionsharmonik und modalität by axel jungbluth author tug do nlnetlabs nl 2023 09

07 21 16 15 subject jazz harmonielehre funktionsharmonik und modalität by axel jungbluth keywords jazz harmonielehre

funktionsharmonik und modalität by axel jungbluth created

**jazz harmonielehre funktionsharmonik und modalität** - Sep 18 2023

web jazz harmonielehre funktionsharmonik und modalität worldcat org jazz harmonielehre funktionsharmonik und modalität

worldcat org items pages i harmonielehre akkordskalentheorie ii harmonische bearbeitung reharmonisation iii funktionsfreie

harmonik modalität more information

**jazz harmonielehre funktionsharmonik und modalität by axel** - May 02 2022

web aug 24 2023 may 18th 2020 jazz harmonielehre funktionsharmonik und modalität axel jungbluth isbn 9783795724122  
kostenloser versand für alle bücher mit versand und verkauf duch copyright code jmd2fgmc3is08z7

[jazz harmonielehre funktionsharmonik und modalita pdf](#) - Mar 12 2023

web right here we have countless ebook jazz harmonielehre funktionsharmonik und modalita and collections to check out we additionally have the funds for variant types and then type of the books to browse the good enough book fiction history novel scientific research as well as various further sorts of books are readily to hand here as this

**jazz harmonielehre funktionsharmonik und modalität** - Jan 10 2023

web jazz harmonielehre funktionsharmonik und modalität 1 ed 3795724120 9783795724122 mit der vorliegenden arbeit soll versucht werden eine systematische einführung in die jazzharmonielehre zu geben dabei 352 103 7mb read more

**jazz harmonielehre funktionsharmonik und modalität by axel** - Nov 08 2022

web the digital files of this jazz harmonielehre funktionsharmonik und modalität by axel jungbluth by online digital resources find digital datasheets resources jazz harmonielehre funktionsharmonik und modalität jazz harmonielehre funktionsharmonik und modalität book full text of serban nichifor

**jazz harmonielehre funktionsharmonik und modalita** - Apr 01 2022

web 2 jazz harmonielehre funktionsharmonik und modalita 2023 08 23 legacy of growing companies successful people respect friendship and love after his death in 2016 leaders at google for over a decade eric schmidt jonathan rosenberg and alan eagle experienced firsthand how the man fondly known as coach bill built trusting

**jazz harmonielehre funktionsharmonik und modalita pdf** - Aug 05 2022

web jul 7 2023 funktionsharmonik und modalita it is entirely easy then in the past currently we extend the link to purchase and create bargains to download and install jazz harmonielehre funktionsharmonik und modalita suitably simple

*frank sikora neue jazz harmonielehre dandelon com* - Feb 11 2023

web jazz harmonielehre verstehen hören spielen von der theorie zur improvisation spl1032 isbn 3 7957 5124 1 konsonanz und dissonanz 24 aufgabe 25 der quintenzirkel 25 pentatonik 26 akkorde 27 modale funktionsharmonik 165 aufgabe 167 modale kadenzen 168 dorisch 168 phrygisch 169 lydisch 169

*jazz harmonielehre funktionsharmonik und modalita book* - May 14 2023

web jazz und pop musiklehre oct 27 2022 diese elementarlehre hat zum ziel die wichtigsten kenntnisse fr jazz und popmusiker ohne umschweife zu vermitteln das buch ist in drei groe teile gegliedert harmonielehre rhythmuslehre und praktische notationslehre alle drei

*12 merksätze für die harmonische analyse und reharmonisation im jazz* - Dec 09 2022

web thema harmonielehre ersetzen sondern setzen diese voraus wer verständnisprobleme hat sollte sich also vorher unbe

dingt auf andere weise mit der thematik z b in form eines standardwerks zur harmonielehre vertraut machen 12 merksätze für die harmonische analyse und reharmonisation im jazz 1

[adolf hitler the greatest story never told full documentary](#) - Aug 31 2022

web dennis wise director adolf hitler the greatest story never told dennis wise is known for adolf hitler the greatest story never told 2013 the secret masonic victory of

[surgeons in new york announce world s first eye transplant](#) - Sep 19 2021

[the greatest story never told full documentary goyimtv](#) - Jun 28 2022

web the greatest story never told is the debut studio album by american rapper saigon released february 15 2011 on suburban noize records the album was initially

[axelrod on biden i didn t tell him to drop out politico](#) - Jul 18 2021

**adolf hitler the greatest story never told rumble** - Feb 22 2022

web feb 15 2011 by marisa brown it s hard to believe that the greatest story never told is officially saigon s debut album the brownsville brooklyn mc first started talking about

[dennis wise imdb](#) - May 28 2022

web the greatest story never told a film by dennis wise this ground breaking documentary chronicles the rise of germany from defeat in world war i to communist

**full documentary adolf hitler the greatest story never told** - Jul 30 2022

web tgsnt adolf hitler the greatest story never told german deutsch dennis wise subtitles undertitel ganzer film full version movie dokumentation download mp4sch dies ist

**adolf hitler the greatest story never told archive org** - Aug 11 2023

web adolf hitler the greatest story never told 2013 user reviews review this title 236 reviews hide spoilers sort by filter by rating 10 10 the best proof behind the saying

**adolf hitler the greatest story never told filmportal de** - Jan 04 2023

web quotes playingwith videoexamples create new the problem with being a secret agent he thought as he soaked among the soap bubbles is that your mission is so secret that

**adolf hitler the greatest story never told 2013 imdb** - Sep 12 2023

web jul 12 2021 topics ww2 history facts adolf hitler born in braunau one man who will change the history of the world forever it follows his childhood to the death of his mother

**the greatest story never told dennis wise free download** - Jun 09 2023

web adolf hitler born in braunau one man who will change the history of the world forever it follows his childhood to the death of his mother and his broken ambition to become an

*how accurate is the dennis wise s documentary adolf hitler the* - Dec 03 2022

web source thegreateststorynevertold tv learn the untold story about the most reviled man in history adolf hitler the greatest story never told is a 6 hour

**theo robertson s review of adolf hitler the greatest story** - Mar 06 2023

web how accurate is the dennis wise s documentary adolf hitler the greatest story never told the documentary makes a lot of claims that completely contradict the commonly

**the greatest story never told allmusic** - Nov 21 2021

web nov 8 2023 we had to come up with a strategy to do something that we ve never done before he told the doctors at northwestern that he s changing all his gaming profiles

the greatest story never told a scientific inquiry int. - Jan 24 2022

web nov 9 2023 some of the things he does diving on the boards sacrificing his body you ve got to follow behind your brother when you see that derozan told espn

*the greatest story never told money tree publishing* - Feb 05 2023

web dec 28 2021 adolf hitler the greatest story never told is a 2013 documentary film about the life of adolf hitler directed and written by dennis wise it is widely described

**adolf hitler the greatest story never told everybodywiki bios** - Nov 02 2022

web jan 3 2020 this documentary like many others that are exposing the greatest lies of the 20th century surrounding the life and story of adolf hitler and wwii has been deleted

**adolf hitler the greatest story never told full 6** - Apr 07 2023

web summary historical revisionism in the form of a six hour compilation of archive material underpinned with pathetic music and commented on with scientifically untenable

the greatest story never told wikipedia - Mar 26 2022

web nov 1 1988 the greatest story never told a scientific inquiry into the evidence of the fall of man from a higher civilization in antiquity lana corrine cantrell on

adolf hitler the greatest story never told 2013 plot imdb - May 08 2023

web adolf hitler the greatest story never told 2013 1 10 lies lies and more lies 22 april 2015 there s a saying that when it comes to history that all that is true is not new and all

**adolf hitler the greatest story never told 2013 imdb** - Jul 10 2023

web nov 1 2016 a25 the greatest story never told part 25 tgsnttv countriesfoughtforreich and russianinvasionofeuropa mp4 download

*adolf hitler the greatest story never told german deutsch* - Apr 26 2022

web nov 1 1988 the greatest story never told a scientific inquiry into the evidence of the fall of man from a higher civilization in antiquity

**breast implants play a crucial role in innovative procedure to save** - Aug 19 2021

**how alex caruso turned into a defensive player of the year** - Oct 21 2021

web nov 7 2023 it s overreacting to say i told him to drop out said the political architect of former president barack obama s i m the best person to take this on then he will

**the greatest story never told a scientific inquiry into the** - Dec 23 2021

web nov 10 2023 the doctors never expected it to work at all and they told me that from the get go he said i told them even if i can t see

*the greatest story never told tv tropes* - Oct 01 2022

web may 11 2021 adolf hitler the greatest story never told is a 6 hour documentary by truthwillout films this groundbreaking documentary chronicles the rise of germany

the greatest story never told full 6 5 hour - Oct 13 2023

web part 1 adolf hitler s childhood from his birth and early life throughout his ww1 exploits and into his early political career *exploring science 9h chemistry transition to gcse* - Feb 06 2023

web exploring science 9 test showing top 8 worksheets in the category exploring science 9 test some of the worksheets displayed are exploring science for qca copymaster

**exploring science 9f reactivity teaching resources** - Jul 31 2022

web oct 29 2023 this book features 35 of best papers from the 9th european science education research association conference esera 2011 held in lyon france

exploring science 9h test controlplane themintgaming com - Nov 22 2021

exploring science 9h test orientation sutd edu - Dec 04 2022

web exploring science 9 9j end unit test pdfsdocuments2 com a combined end of unit test for two of 2 exploring science 9 9j end unit test pdf free download here end of

**exploring science 9h test** - May 29 2022

web year 9 exploring science test 6 download pdf exploring science working scientifically 7 year 9 exploring science test 8 exploring science hsw edition

**exploring science 9e revision worksheet making materials** - Jan 25 2022

web exploring science 9h test download projects post gazette com ks3 science revision worksheets special edition exploring science how science works year 9

**exploring science 9h using chemistry flashcards quizlet** - Aug 12 2023

web dear students please check the sound quiz question 2 the answer written is wave length which is wrong the correct answer is amplitude wish you all best of luck for your

**exploring science 9h test cyberlab sutd edu sg** - Mar 07 2023

web pptx 280 09 kb full unit including lesson powerpoint and appropriate resources additional resources can be used from activeteach but are not essential atoms electron

**exploring science 9e making materials teaching resources** - Oct 02 2022

web bluebird the exploring nature 789science 9h 9h science end of unit test download manual mark schemes physicslocker mrmoorescience year8revision exploring

**text of exploring science 9 9j end unit test pdfslide net** - Nov 03 2022

web feb 24 2020 pptx 424 29 kb pptx 1 72 mb pptx 603 22 kb docx 121 69 kb an exceptional set of powerpoints and accompanying resources to help you effectively teach

*end of unit test mr jeffs secondary science 1* - Jun 10 2023

web pearson education ltd 2019 copying permitted for purchasing institution only this material is not copyright free 3 workbook answers 9cd ecology 1

*9a workbook answers pearson* - May 09 2023

web exploring science 9h end unit test a paradigm for decentralized process modeling may 12 2020 a paradigm for decentralized process modeling presents a novel approach to

exploring science 9g and 9h lessons teaching - Sep 13 2023

web how can displacement reactions be used as fuel for example with the zinc and copper sulphate reaction the mixture gets hot showing that it can produce energy the amount

**exploring science 9h end unit test** - Apr 08 2023

web exploring science 9h test spotlight science jul 24 2023 the framework edition assessment resource banks provide end of topic tests to help you with evidence for

*exploring science 9h flying materials* - Sep 01 2022

web nov 17 2021 pptx 968 kb pptx 3 69 mb pptx 1 21 mb docx 72 96 kb an exceptional set of powerpoints and accompanying resources to help you effectively teach and deliver

**exploring science 9h flying materials** - Dec 24 2021

web exploring science 9h test 3 3 teaching with a textbook for the first time in seven years the language is both accessible and informal yet the text goes a long way in debunking

**exploring science 9h end unit test 2023 canvas edusynch** - Jun 29 2022

web may 30th 2018 exploring science 9h test end of unit test physicslocker index exploring science for qcacopymaster file 9 372 pearson education limited 2002 page 1 of 4 9h end

*exploring science 9h test beta atanet org* - Feb 23 2022

web mar 30 2019 revision worksheet for the new exploring science 9e unit all about making materials intended to be printed as an a3 double sided worksheet has learning

**exploring science 9 worksheets k12 workbook** - Apr 27 2022

web exploring science 9h test a literary masterpiece penned by way of a renowned author readers embark on a transformative journey unlocking the secrets and untapped

*grade 9 exploring science* - Jul 11 2023

web exploring science for qcacopymaster file 9 374 pearson education limited 2002 page 3 of 4 9h end of unit test continued 5 one theory about burning was that

the world s learning company pearson - Oct 14 2023

web pdf 1 4 7666 0 obj endobj xref 7666 43 0000000016 00000 n 0000004284 00000 n 0000004469 00000 n 0000004506 00000 n 0000004974 00000 n 0000005059

**exploring science 9 test worksheets teacher worksheets** - Jan 05 2023

web exploring science 9h end unit test scanning for exploring science 9h end unit test do you really need this pdf exploring science 9h end unit test it takes me 15 hours just to

exploring science 9h test sgshenelux internalpublications com - Mar 27 2022

web exploring science 9h test general technical report nc atomic energy levels exploring zoology a laboratory guide teach yourself electricity and electronics 5th edition