

# ENGINE - V-TWIN REPAIR

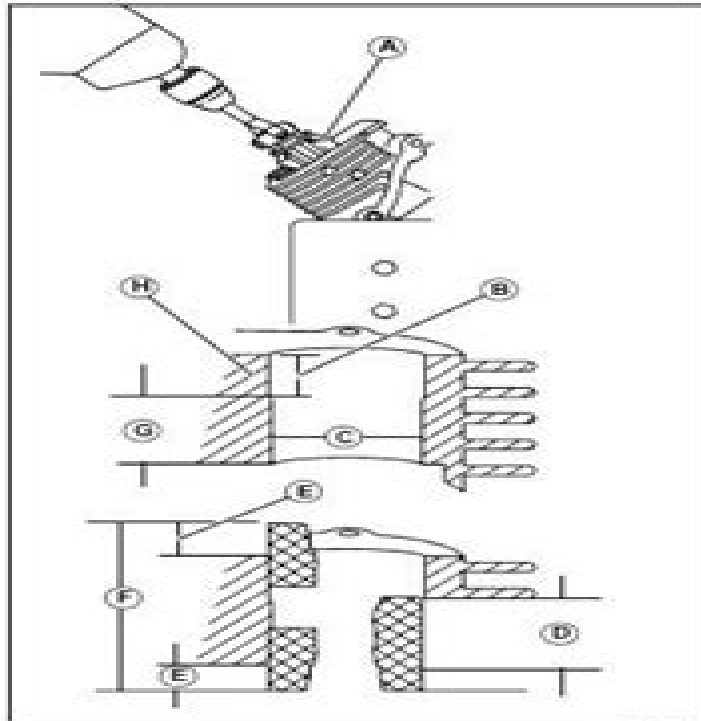
When there is no trace of honing grit on rag, the cylinder is properly cleaned. Then oil cylinder bore to prevent rusting.

## Resizing Cylinder Bore

### Procedure:

1. If the cylinder bore is not within specifications, it will have to be resized using a boring bar or hone. Always resize to exactly 0.51 mm (0.020 in.) over standard size.
2. If this is done accurately, the service oversize rings and pistons will fit correctly and proper clearances will be maintained.

**Important: Avoid Damage!** If a boring bar is used, a hone must be used after the boring operation to produce the proper cylinder cross hatch. See "Cylinder Bore Honing" above.



3. If a hone is used to resize the cylinder bore, place hone (A) in middle of cylinder bore (C). Tighten adjusting knob with finger until stones fit snugly against cylinder wall. DO

### NOT FORCE.

4. Connect drive shaft to hone. Be sure that cylinder and hone are centered and aligned with drive shaft and drill spindle. Lubricate hone as recommended by hone manufacturer.
5. The recommended drill speed is 300 to 700 rpm maximum and 40 - 60 strokes per minute.
6. Because cylinder bores normally wear (H) only in the area of ring travel (B), the cylinder bore will be round above and below ring travel (G).
7. Start drill and, as hone spins, move it up and down at the bottom of the cylinder bore (D).
8. Gradually increase the length of the strokes until hone travels full length of cylinder bore (F). Do not travel more than 19.05 mm (0.750 in.) to 25.4 mm (1.0 in.) above cylinder bore (E).
9. Lubricate hone frequently to prevent build up on stones.
10. As cutting tension decreases, stop hone and tighten adjusting knob following hone manufacturer's recommendations.
11. Check cylinder bore size frequently.
12. Check cylinder bores at top and bottom for burrs. Remove burrs. Cylinder head and crankcase cover surfaces must be free of burrs and gasket material.
13. After cylinder bore has been brought to proper resizing dimension, a cross hatch must be applied to bore.

### Specifications:

Standard Bore Size	79.25 mm (3.120 in.)
Oversize Bore	79.36 mm (3.122 in.)

## Flywheel Removal and Installation

### Equipment:

- Flywheel Tool (part number 19203)

### Procedure:

1. Remove blower housing and rotating screen.
2. Remove two screws securing fan. Remove fan.
3. Loosen ignition coil screws and move ignition coils away from flywheel, or remove ignition coils completely.

*Note: If the engine crankshaft rotates while loosening the flywheel nut, secure the flywheel with a strap wrench.*

4. Use an impact wrench and 32 mm (1-1/4 in.) socket to loosen flywheel nut. Do not remove at this time.
5. Unscrew nut until it extends just beyond engine input shaft threads.

# John Deere D13manual

**RD Boyd**



## **John Deere D13manual:**

**Moody's International Manual** ,1998    I & T Shop Service: Flat Rate Manual ,1964 Contains job prices on all popular makes and models of tractors    Poor's Daily Reports ,1940-10    John Deere Shop Manual ,1953    **I & T Shop Book** Implement & Tractor,1951    **Farmers and Consumers Market Bulletin** ,2011    *John Deere 318 Lawn and Garden Tractor Technical Service Repair Manual* ,1991-05-15    **Index of Patents Issued from the United States Patent and Trademark Office** ,    **John Deere 350 and 450 Mowers** ,    **John Deere STX30 and STX38 Lawn Tractors Operator's Manual|Lawn Tractors Operator's Manual** Deere John,    **John Deere Shop Manual 4055 4255 4455 4555+** Penton Staff,2000-05-24 Diesel models 4055 4255 4455 4555 4755 4955    *John Deere Shop Manual 520 530 620 630 720 + Penton Staff,2000-05-24 Models 520 530 620 630 720 730*    **John Deere Shop Manual** ,1971    *John Deere 303 and 305 Hydraulic Gang Mowers Operator's Manual|Hydraulic Gang Mowers Operator's Manual* Deere John,    **Flight** ,1959    John Deere Shop Manual 670 770 870 970&1070 Penton Staff,2000-05-24 Diesel Models 670 770 870 970 1070

**John Deere 145 Lawn and Garden Tractor Technical Service Repair Manual** ,2005-01-15    *John Deere 50 Tractor Parts Manual* ,1959-08-15    John Deere Shop Manual 2750 2755 2855&2955 Penton Staff,2000-05-24 Diesel Models 2750 2755 2855N 2955    *John Deere 830 Tractor Parts Manual* ,1961-03-15

Recognizing the showing off ways to get this book **John Deere D13manual** is additionally useful. You have remained in right site to begin getting this info. get the John Deere D13manual member that we have enough money here and check out the link.

You could purchase guide John Deere D13manual or get it as soon as feasible. You could speedily download this John Deere D13manual after getting deal. So, following you require the books swiftly, you can straight acquire it. Its consequently utterly easy and therefore fats, isnt it? You have to favor to in this flavor

<https://staging.conocer.cide.edu/files/scholarship/fetch.php/manual%20washing%20machines%20camping.pdf>

## **Table of Contents John Deere D13manual**

1. Understanding the eBook John Deere D13manual
  - The Rise of Digital Reading John Deere D13manual
  - Advantages of eBooks Over Traditional Books
2. Identifying John Deere D13manual
  - Exploring Different Genres
  - Considering Fiction vs. Non-Fiction
  - Determining Your Reading Goals
3. Choosing the Right eBook Platform
  - Popular eBook Platforms
  - Features to Look for in an John Deere D13manual
  - User-Friendly Interface
4. Exploring eBook Recommendations from John Deere D13manual
  - Personalized Recommendations
  - John Deere D13manual User Reviews and Ratings
  - John Deere D13manual and Bestseller Lists
5. Accessing John Deere D13manual Free and Paid eBooks

- John Deere D13manual Public Domain eBooks
  - John Deere D13manual eBook Subscription Services
  - John Deere D13manual Budget-Friendly Options
6. Navigating John Deere D13manual eBook Formats
    - ePub, PDF, MOBI, and More
    - John Deere D13manual Compatibility with Devices
    - John Deere D13manual Enhanced eBook Features
  7. Enhancing Your Reading Experience
    - Adjustable Fonts and Text Sizes of John Deere D13manual
    - Highlighting and Note-Taking John Deere D13manual
    - Interactive Elements John Deere D13manual
  8. Staying Engaged with John Deere D13manual
    - Joining Online Reading Communities
    - Participating in Virtual Book Clubs
    - Following Authors and Publishers John Deere D13manual
  9. Balancing eBooks and Physical Books John Deere D13manual
    - Benefits of a Digital Library
    - Creating a Diverse Reading Collection John Deere D13manual
  10. Overcoming Reading Challenges
    - Dealing with Digital Eye Strain
    - Minimizing Distractions
    - Managing Screen Time
  11. Cultivating a Reading Routine John Deere D13manual
    - Setting Reading Goals John Deere D13manual
    - Carving Out Dedicated Reading Time
  12. Sourcing Reliable Information of John Deere D13manual
    - Fact-Checking eBook Content of John Deere D13manual
    - Distinguishing Credible Sources
  13. Promoting Lifelong Learning
    - Utilizing eBooks for Skill Development

- Exploring Educational eBooks
- 14. Embracing eBook Trends
  - Integration of Multimedia Elements
  - Interactive and Gamified eBooks

### **John Deere D13manual Introduction**

Free PDF Books and Manuals for Download: Unlocking Knowledge at Your Fingertips In today's fast-paced digital age, obtaining valuable knowledge has become easier than ever. Thanks to the internet, a vast array of books and manuals are now available for free download in PDF format. Whether you are a student, professional, or simply an avid reader, this treasure trove of downloadable resources offers a wealth of information, conveniently accessible anytime, anywhere. The advent of online libraries and platforms dedicated to sharing knowledge has revolutionized the way we consume information. No longer confined to physical libraries or bookstores, readers can now access an extensive collection of digital books and manuals with just a few clicks. These resources, available in PDF, Microsoft Word, and PowerPoint formats, cater to a wide range of interests, including literature, technology, science, history, and much more. One notable platform where you can explore and download free John Deere D13manual PDF books and manuals is the internet's largest free library. Hosted online, this catalog compiles a vast assortment of documents, making it a veritable goldmine of knowledge. With its easy-to-use website interface and customizable PDF generator, this platform offers a user-friendly experience, allowing individuals to effortlessly navigate and access the information they seek. The availability of free PDF books and manuals on this platform demonstrates its commitment to democratizing education and empowering individuals with the tools needed to succeed in their chosen fields. It allows anyone, regardless of their background or financial limitations, to expand their horizons and gain insights from experts in various disciplines. One of the most significant advantages of downloading PDF books and manuals lies in their portability. Unlike physical copies, digital books can be stored and carried on a single device, such as a tablet or smartphone, saving valuable space and weight. This convenience makes it possible for readers to have their entire library at their fingertips, whether they are commuting, traveling, or simply enjoying a lazy afternoon at home. Additionally, digital files are easily searchable, enabling readers to locate specific information within seconds. With a few keystrokes, users can search for keywords, topics, or phrases, making research and finding relevant information a breeze. This efficiency saves time and effort, streamlining the learning process and allowing individuals to focus on extracting the information they need. Furthermore, the availability of free PDF books and manuals fosters a culture of continuous learning. By removing financial barriers, more people can access educational resources and pursue lifelong learning, contributing to personal growth and professional development. This democratization of knowledge promotes intellectual curiosity and empowers

individuals to become lifelong learners, promoting progress and innovation in various fields. It is worth noting that while accessing free John Deere D13manual PDF books and manuals is convenient and cost-effective, it is vital to respect copyright laws and intellectual property rights. Platforms offering free downloads often operate within legal boundaries, ensuring that the materials they provide are either in the public domain or authorized for distribution. By adhering to copyright laws, users can enjoy the benefits of free access to knowledge while supporting the authors and publishers who make these resources available. In conclusion, the availability of John Deere D13manual free PDF books and manuals for download has revolutionized the way we access and consume knowledge. With just a few clicks, individuals can explore a vast collection of resources across different disciplines, all free of charge. This accessibility empowers individuals to become lifelong learners, contributing to personal growth, professional development, and the advancement of society as a whole. So why not unlock a world of knowledge today? Start exploring the vast sea of free PDF books and manuals waiting to be discovered right at your fingertips.

### **FAQs About John Deere D13manual Books**

How do I know which eBook platform is the best for me? Finding the best eBook platform depends on your reading preferences and device compatibility. Research different platforms, read user reviews, and explore their features before making a choice. Are free eBooks of good quality? Yes, many reputable platforms offer high-quality free eBooks, including classics and public domain works. However, make sure to verify the source to ensure the eBook credibility. Can I read eBooks without an eReader? Absolutely! Most eBook platforms offer web-based readers or mobile apps that allow you to read eBooks on your computer, tablet, or smartphone. How do I avoid digital eye strain while reading eBooks? To prevent digital eye strain, take regular breaks, adjust the font size and background color, and ensure proper lighting while reading eBooks. What the advantage of interactive eBooks? Interactive eBooks incorporate multimedia elements, quizzes, and activities, enhancing the reader engagement and providing a more immersive learning experience. John Deere D13manual is one of the best book in our library for free trial. We provide copy of John Deere D13manual in digital format, so the resources that you find are reliable. There are also many Ebooks of related with John Deere D13manual. Where to download John Deere D13manual online for free? Are you looking for John Deere D13manual PDF? This is definitely going to save you time and cash in something you should think about.

**Find John Deere D13manual :**

[manual washing machines camping](#)

[manual transmission oil ford f 600](#)

[manual york millenium chiller ybwc100sb50a](#)

[manual utilizare ford focus 2009](#)

**manual yamaha royal star**

*manual zetor 8011*

~~manual vw sharan 2003~~

*manual urbanidad y buenas maneras*

~~manual thunderbolts class of 90~~

*manual toyota camry 1992*

[manual zetor 5011](#)

**manual transmission chevy silverado**

**manual well drilling equipment**

*manual toyota corona 2c engine*

**manual x tek x ray**

**John Deere D13manual :**

[secure 642 637 lab cisco learning network](#) - Mar 07 2022

knox asked a question edited by admin february 16 2020 at 12 44 am secure 642 637 lab since there are no cisco branded lab manuals available i was wondering if anyone has run across a good lab excercise for secure 642 637

**642 642 exam questions and answers 642 642 pdf** - Apr 20 2023

prepare for the 642 642 certification exam with our comprehensive 642 642 exam questions and answers our 642 642 exam questions are designed to give you the confidence and knowledge needed to pass the exam on your first try

[it tests 642 642 test study guide answer cisco 642 642](#) - Jul 23 2023

it tests com offers real exam questions and answers for the it certification exam of 642 642 it tests com provides always high quality it exams practice questions and answers of ccip 642 642 it tests helps you pass any the exam cisco 642 642 at the first attempt we give you the 100 pass guarantee if you failed then 100 refund

**valid free 642 642 test questions and answers cisco 642 642** - May 09 2022



apr 17 2023 exam code 642 642 exam name quality of service qos online test engine supports windows mac android ios etc because it is the software based on web browser if you purchase cisco 642 642 value pack you will also own the free online test engine updated apr 17 2023 q a 87 questions and answers

*cisco packet tracer lab answers it networking labs bank - Aug 24 2023*

jul 3 2021 cisco packet tracer lab with answers all it exam labs packet tracer answers version lab name number packet tracer it essentials v7 6 1 2 1 packet tracer add computers to an existing network 6 1 3 9 packet tracer connect to a wireless network 6 1 4 7 packet tracer configure firewall settings 6 1 5 3 packet tracer control iot devices

[642 242 exam questions and answers 642 242 pdf](#) - May 21 2023

exam info pass guaranteed reviews the 642 242 exam prep features a 100 642 242 pass guaranteed you have nothing to lose contains the most relevant and up to date 642 242 questions and answers seen on the actual exam a 90 historical pass rate giving you confidence in your 642 242 exam preparation

[642 642 exam questions and answers 642 642 questions pdf](#) - Dec 16 2022

this 642 642 exam questions and answers are designed to fully prepare you to pass your 642 642 exam in first try these files are formatted better than any 642 642 exam dumps or 642 642 brain dump the 642 642 exam questions and answers are updated frequently in

[cisco ccna 10 questions and answers](#) - Jun 10 2022

[cisco ccna questions and answers](#) [cisco ccna 10 questions and answers](#) - Jun 22 2023

reviews the 642 648 exam prep features a 100 642 648 pass guaranteed you have nothing to lose contains the most relevant and up to date 642 648 questions and answers seen on the actual exam a 90 historical pass rate giving you confidence in your 642 648 exam preparation includes a free 642 648 mock exam software for added practice

**cisco semester 2 lab 4 6 1 pdf scribd** - Apr 08 2022

lab 4 6 1 routing table interpretation lab when you are finished with the rip configuration return to privileged exec mode and save the current configuration to nvram step 4 test and verify connectivity use the ping command to verify that the router interfaces can communicate with each other

[cisco 642 642 exam dumps practice test questions exam labs](#) - Aug 12 2022

latest cisco 642 642 exam practice test questions 100 latest most updated cisco 642 642 questions and answers cisco 642 642 exam dumps are carefully checked by cisco it experts

**kevins cisco qos 642 642 exam notes pdf scribd** - Jul 11 2022

kevins cisco qos 642 642 exam notes free download as powerpoint presentation ppt pdf file pdf text file txt or view

kevins cisco qos 642 642 exam notes free download as powerpoint presentation ppt pdf file pdf text file txt or view

presentation slides online

*6 4 2 lab implement etherchannel answers itexamanswers* - Sep 25 2023

sep 30 2020 ccna 2 v7 6 4 2 lab implement etherchannel instruction answers pdf packet tracer file download completed 100 scored 2020 it questions bank ios command list note the switches used with ccna hands on labs are cisco catalyst 2960s with cisco ios release 15 2 2 lanbasek9 image other switches and cisco ios versions can be used

**it tests 642 648 test study guide answer cisco 642 648** - Mar 19 2023

sep 25 2023 exam code 642 648 exam name deploying cisco asa vpn solutions vpn v2 0 updated sep 25 2023 q a 121 questions and answers 642 648 free demo download pdf version demo test engine online test engine pdf version price 129 00 59 99 testing engine 10 online test engine 10 it tests 642 648 exam features method to claim

**cisco 642 642 practice test questions to make your exam rock** - Feb 18 2023

cisco 642 642 practice test all study material and learning tools including pdf questions and answers practice test software and mock exams available for 642 642 at cost effective rates get immediate access and instantly download 642 642 practice test right after purchase

**ace cisco 642 887 certification with actual questions examtopics** - Sep 13 2022

oct 10 2023 what is the 642 887 focused on the 642 887 or as it s also known the implementing cisco service provider next generation core network services spcore like all tests there is a bit of freedom on cisco s part to exam an array of subjects that means knowing the majority of 642 887 content is required because they test randomly on the many

*642 270 exam questions and answers 642 270 pdf* - Oct 14 2022

prepare for the 642 270 implementing cisco telepresence video networking solutions exam 642 270 exam with these real exam questions and answers this comprehensive exam dumps covers all exam objectives with weekly updates

*it tests 642 887 test study guide answer cisco 642 887* - Jan 17 2023

oct 10 2023 exam code 642 887 exam name implementing cisco service provider next generation core network services updated oct 10 2023 q a 231 questions and answers 642 887 free demo download pdf version demo test engine online test engine pdf version price 129 00 59 99 testing engine 10 online test engine 10 it tests 642 887 exam

practice 642 642 exam questions and answers ccip 642 642 - Nov 15 2022

high quality and efficiency of the 642 642 exam 1 free demo of cisco 642 642 exam questions allowing you to try before you buy 2 we offer a standard exam material of cisco 642 642 practice tests

*ccna workbook lab 2 cisco learning network* - Feb 06 2022

feb 13 2020 in this lab we cover the following topics ospfv2 multiple areas bgp ppp with chap ios 15 licensing cisco router as dhcp relay agent ospfv3 multiple areas eigrpv6 ipv4 topology ipv6 topology pdf and pt v7 attached

**popular songs arranged for violin duet cindy blevins music** - Jul 05 2023

web ok popular songs arranged for violin duet arranged by cindy blevins

*pop hits for violin duet violin duet softcover hal leonard online* - Oct 08 2023

web pop hits for violin duet designed for violinists familiar with first position and comfortable reading basic rhythms each two page arrangement in this collection includes a violin 1 and violin 2 part with each taking a turn at playing the melody for a fun and challenging ensemble experience

**all time popular songs for violin duet scribd** - Mar 21 2022

web jun 1 2017 pop hits for violin duet hal leonard llc 4 5 movie hits for violin duet hal leonard llc 3 5 disney songs for violin duet hal leonard llc 3 5 the beatles for violin duet the beatles 4 5 hit songs for two violins easy instrumental duets hal leonard llc 4 5 christmas carols for two violins easy instrumental duets mark

*pop hits for violin duet by various violin sheet music* - Jun 04 2023

web published by hal leonard hl 217577 isbn 9781495088742 upc 888680666958 9 0x12 0x0 154 inches designed for violinists familiar with first position and comfortable reading basic rhythms each two page arrangement in this collection includes a violin 1 and violin 2 part with each taking a turn at playing the melody for a fun and

*pop hits for violin duet overdrive* - Aug 26 2022

web jul 1 2017 designed for violinists familiar with first position and comfortable reading basic rhythms each two page arrangement in this collection includes a violin 1 and violin 2 part with each taking a turn at playing the melody for a

*pop hits for violin duet 30 favorite pop songs taschenbuch amazon de* - Jul 25 2022

web pop hits for violin duet 30 favorite pop songs hal leonard publishing corporation isbn 9781495088742 kostenloser versand für alle bücher mit versand und verkauf duch amazon

hal leonard pop hits for violin duet thomann uk - Jan 31 2023

web songbook for string ensembles 30 pop songs arranged for 2 violins with changing melody line medium level of difficulty isbn 9781495088742 publisher s no hl217577 format din a4 64 pages

**amazon com tr müşteri yorumları pop hits for violin duet** - Sep 26 2022

web amazon com tr sitesinde pop hits for violin duet ürünü için faydalı müşteri yorumlarını ve derecelendirmeleri bulabilirsiniz kullanıcılarımızın samimi ve tarafsız ürün yorumlarını okuyun

**all time popular songs for violin duet hal leonard online** - May 03 2023

web songs include billie jean bridge over troubled water can you feel the love tonight hallelujah imagine over the rainbow unchained melody what a wonderful world with or without you your song and more song list billie jean bohemian rhapsody bridge over troubled water california dreamin can you feel the love tonight

*pop hits for violin duet hal leonard corp 9781495088742 - Apr 21 2022*

web string duet designed for violinists familiar with first position and comfortable reading basic rhythms each two page arrangement in this collection includes a violin 1 and violin 2 part with each taking a turn at playing the melody for a

**pop hits for violin duet music shar music - Mar 01 2023**

web pop hits for violin duet 30 favorite pop songs for two violins this book is designed for violinists familiar with first position and comfortable reading basic rhythms in each two page arrangement violin 1 and violin 2 take turns playing the melody for a fun and challenging ensemble experience featured products 179 17

**pop hits for violin duet kağıt kapak 1 temmuz 2017 - Apr 02 2023**

web pop hits for violin duet hal leonard publishing corporation amazon com tr kitap

pop hits for violin duet presto music - Dec 30 2022

web sheet music for pop hits for violin duet buy online violin vln published by hal leonard

**hal leonard pop hits for violin duet musikhaus thomann - Jun 23 2022**

web hal leonard pop hits for violin duet 30 popsongs arrangiert für 2 violinen mit wechselnder melodieführung mittlerer schwierigkeitsgrad isbn 9781495088742 hl00217577 23 x 30 5 cm 64 seiten

**hal leonard pop hits for violin duet thomann united states - Nov 28 2022**

web songbook for string ensembles 30 pop songs arranged for 2 violins with changing melody line medium level of difficulty isbn 9781495088742 publisher s no hl217577 format din a4 64 pages hal leonard pop hits for violin duet songbook for string ensembles 30 pop songs arranged for 2 violins with changing melody line

**pop hits for violin duet hal leonard corp google books - Oct 28 2022**

web string duet designed for violinists familiar with first position and comfortable reading basic rhythms each two page arrangement in this collection includes a violin 1 and violin 2 part with each taking a turn at playing the melody for a fun and challenging ensemble experience songs include all of me hello just the way you are let it go love

**free rock and pop violin duet sheet music 8notes com - Feb 17 2022**

web john w bratton the teddy bears picnic harry dixon loes this little light of mine jack judge it s a long long way to tipperary free free rock and pop violin duet sheet music sheet music pieces to download from 8notes com

**free violin pop sheet music download pdf or print on - Sep 07 2023**

web free violin pop sheet music download pdf or print on musescore com fall into savings get 90 off 05d 23h 09m 48s view offer filters difficulty level available only for piano scores beginner 1 score type user scores 6 530 ensemble solo 1 278 bands orchestras 417 brass ensembles 2 mixed ensembles 2 805 percussion ensembles 4 piano

**big book of violin viola duets string duet softcover hal leonard online - May 23 2022**

web big book of violin viola duets series string duet format softcover composer various arranger kathleen tompkins 35 favorite pop songs movie hits and classical pieces arranged for violin and viola duets includes full scores and individual pull out parts

*pop hits for violin duet amazon com* - Aug 06 2023

web jul 1 2017 pop hits for violin duet paperback july 1 2017 string duet designed for violinists familiar with first position and comfortable reading basic rhythms each two page arrangement in this collection includes a violin 1 and violin 2 part with each taking a turn at playing the melody for a fun and challenging ensemble experience

**au ras de l eau la vie secrete des marais 2022** - Feb 26 2023

web au ras de l eau la vie secrete des marais 1 au ras de l eau la vie secrete des marais through those living pillars dictionnaire pittoresque de marine with a preface

**au ras de l eau la vie secrete des marais copy** - Jun 01 2023

web composent ce livre proposent d interroger les resonances labiles de la phenomenologie et de l art chez michel henry en examinant les differentes figures du deplacement

*au ras de l eau la vie secrete des marais hervé stiévenart* - Nov 25 2022

web au ras de l eau la vie secrete des marais hervé stiévenart 8 00 tva non déductible régime particulier biens d occasion

**au ras de l eau la vie secrete des marais** - Jul 22 2022

web au ras de l eau la vie secrete des marais 3 3 beautifully written book lavishly illustrated with fashion plates and photographs explores the relationship between music

**au ras de l eau la vie secrete des marais 2022 checkin** - Jun 20 2022

web au ras de l eau la vie secrete des marais 3 3 tastes of jazz age sophisticates looking in particular at three couturiers paul poiret germaine bongard and coco

**au ras de l eau la vie secrete des marais 2023** - Sep 04 2023

web au ras de l eau la vie secrete des marais studies and reviews sep 17 2021 cet ouvrage presente les savoirs et savoir faire les plus rcents sur la pollution de l eau en

au ras de l eau la vie secrete des marais full pdf - Jul 02 2023

web 4 au ras de l eau la vie secrete des marais 2022 09 01 been paid to the association of sound and style in the early twentieth century a period of remarkable and often

**au ras de l eau la vie secrete des marais by hervé stiévenart** - Apr 30 2023

web chtipecheur la vie animale faune aquatique aquajardin infos tourisme maroc la source de ras el ma fr au ras de l eau la vie secrete des marais la vie est belle l

[appartement sea la vie Égypte ras sudr booking com](#) - Nov 13 2021

web situé à ras sedr le sea la vie propose un hébergement avec une piscine privée une vue sur le jardin et un balcon

[au ras de l eau la vie secre te des marais copy](#) - Aug 03 2023

web composent ce livre proposent d interroger les résonances labiles de la phénoménologie et de l art chez michel henry en examinant les différentes figures du déplacement

[au ras de l eau la vie secre te des marais](#) - Mar 18 2022

web not almost the costs its approximately what you obsession currently this au ras de l eau la vie secre te des marais as one of the most keen sellers here will entirely be

**au ras de l eau la vie secre te des marais** - May 20 2022

web au ras de l eau la vie secre te des marais 1 au ras de l eau la vie secre te des marais when people should go to the books stores search inauguration by shop shelf

**au ras de l eau la vie secre te des marais 2022** - Jan 16 2022

web au ras de l eau la vie secre te des marais 3 3 âmesfb neslulu compamphlets on protozoology kofoid collection u s a michel henry et l affect de l artbrill dictionnaire

[au ras de l eau la vie secre te des marais pdf scandinavia](#) - Dec 27 2022

web merely said the au ras de l eau la vie secre te des marais pdf is universally compatible with any devices to read the game of war andrew hussey 2002 since his

**au ras du sol english translation linguee** - Oct 25 2022

web l installa tion au ras du sol est aussi possible de nouveau avec la mt 1 un piquet de terre et en option le kit de radians antennas biz antennas biz insta llation close to the

**chalet sea la vie Égypte ras sudr booking com** - Aug 23 2022

web situé à ras sedr le sea la vie propose un hébergement avec une piscine privée il possède un balcon et une terrasse

[asmara beachfront residences](#) - Sep 23 2022

web asmara beachfront residences propose un refuge unique présenté comme un vrai bijou dans un écrin de verdure situé entre mer et montagne Édifié sur le littoral de plage au

**au ras de l eau la vie secre te des marais download only** - Feb 14 2022

web la sainte bible qui contient l ancien et le nouveau testament d après la version de j f ostervald nicolas schneider a study of an acadian french dialect spoken on the north

[au ras de l eau la vie secre te des marais download only](#) - Dec 15 2021

web au ras de l eau la vie secre te des marais 3 3 she also considers the role played by the ballets russes and explores the

contributions of artists including costume and set

au ras de l'eau la vie secrète des marais 2023 - Apr 18 2022

web au ras de l'eau la vie secrète des marais 5 5 neoclassicism mary e davis demonstrates that new aesthetic approaches were related to fashion in a manner that

*au ras de l'eau la vie secrète des marais download only* - Mar 30 2023

web you may not be perplexed to enjoy all books collections au ras de l'eau la vie secrète des marais that we will no question offer it is not concerning the costs its not quite

**au ras de l'eau la vie secrète des marais dev rideicon** - Jan 28 2023

web au ras de l'eau la vie secrète des marais anita conti 20 000 lieues sur les mers around the world in eighty days nouvelles annales des voyages de la

au ras de l'eau la vie secrète des marais pdf - Oct 05 2023

web la sainte bible qui contient l'ancien et le nouveau testament d'après la version de j f ostervald u s a transformations et Évolution du trait de côte en méditerranée