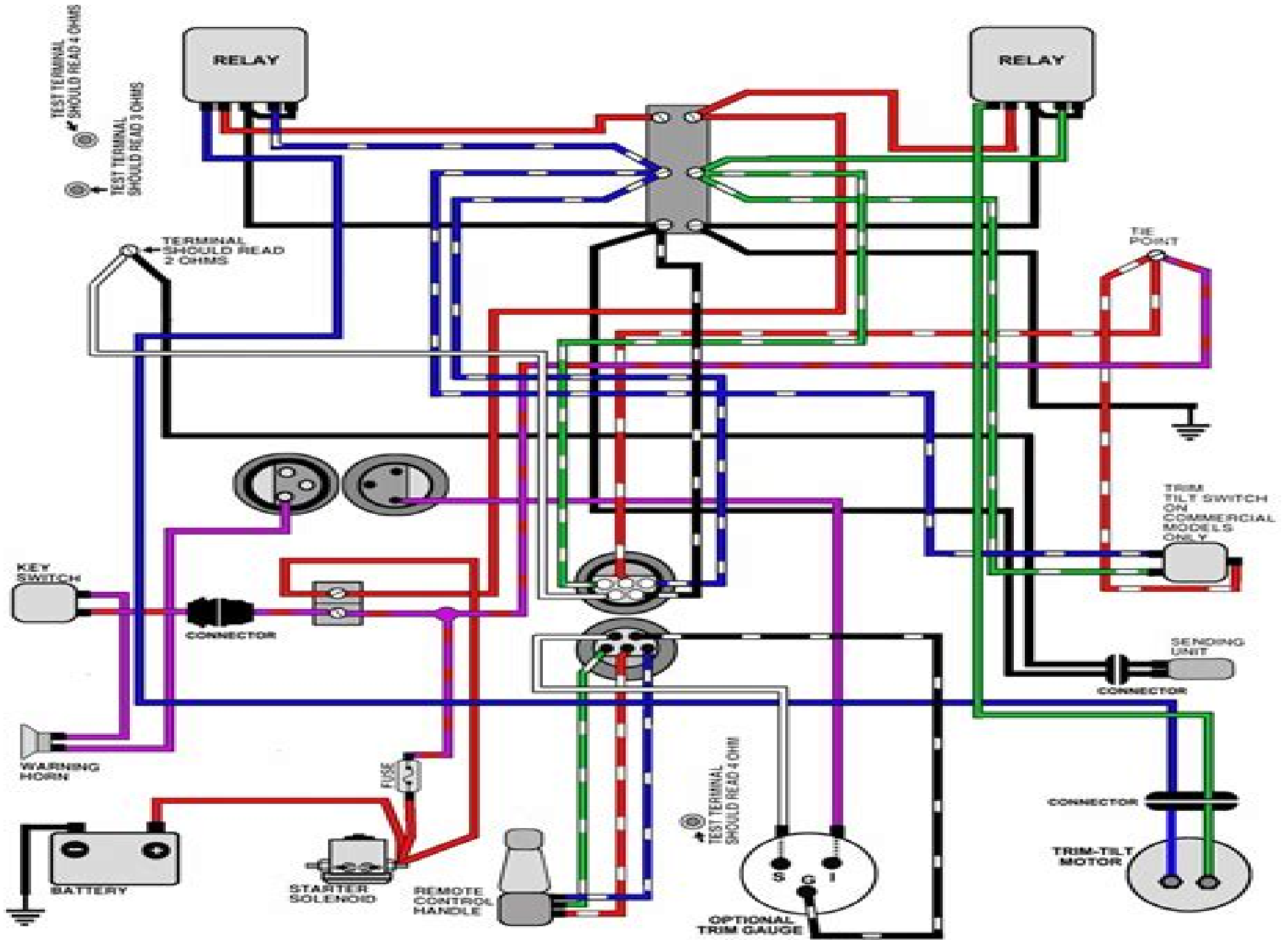


1987-UP POWER TRIM/TILT WITH RELAYS & 2-WIRE MOTOR



Honda Outboard Remote Wiring

D Siedentop



Honda Outboard Remote Wiring:

The Enthralling World of E-book Books: A Detailed Guide Unveiling the Pros of E-book Books: A Realm of Ease and Versatility Kindle books, with their inherent mobility and simplicity of access, have freed readers from the constraints of physical books. Gone are the days of carrying cumbersome novels or meticulously searching for particular titles in bookstores. Kindle devices, stylish and portable, effortlessly store an wide library of books, allowing readers to indulge in their preferred reads anytime, anywhere. Whether commuting on a bustling train, lounging on a sunny beach, or simply cozying up in bed, E-book books provide an unparalleled level of convenience. A Literary Universe Unfolded: Exploring the Wide Array of E-book Honda Outboard Remote Wiring Honda Outboard Remote Wiring The Kindle Store, a virtual treasure trove of bookish gems, boasts an wide collection of books spanning varied genres, catering to every readers preference and preference. From gripping fiction and thought-provoking non-fiction to timeless classics and contemporary bestsellers, the Kindle Shop offers an unparalleled variety of titles to discover. Whether seeking escape through immersive tales of imagination and adventure, delving into the depths of historical narratives, or expanding ones understanding with insightful works of science and philosophical, the E-book Store provides a doorway to a bookish universe brimming with limitless possibilities. A Game-changing Factor in the Bookish Landscape: The Enduring Influence of Kindle Books Honda Outboard Remote Wiring The advent of Kindle books has certainly reshaped the literary landscape, introducing a model shift in the way books are published, disseminated, and read. Traditional publishing houses have embraced the online revolution, adapting their approaches to accommodate the growing demand for e-books. This has led to a rise in the accessibility of Kindle titles, ensuring that readers have access to a wide array of bookish works at their fingers. Moreover, Kindle books have democratized entry to books, breaking down geographical limits and providing readers worldwide with equal opportunities to engage with the written word. Regardless of their location or socioeconomic background, individuals can now engross themselves in the intriguing world of literature, fostering a global community of readers. Conclusion: Embracing the Kindle Experience Honda Outboard Remote Wiring Kindle books Honda Outboard Remote Wiring, with their inherent ease, flexibility, and wide array of titles, have undoubtedly transformed the way we experience literature. They offer readers the freedom to discover the limitless realm of written expression, anytime, anywhere. As we continue to travel the ever-evolving online scene, Kindle books stand as testament to the lasting power of storytelling, ensuring that the joy of reading remains reachable to all.

https://staging.conocer.cide.edu/data/Resources/fetch.php/Go_Go_Said_The_Bird.pdf

Table of Contents Honda Outboard Remote Wiring

1. Understanding the eBook Honda Outboard Remote Wiring
 - The Rise of Digital Reading Honda Outboard Remote Wiring
 - Advantages of eBooks Over Traditional Books
2. Identifying Honda Outboard Remote Wiring
 - Exploring Different Genres
 - Considering Fiction vs. Non-Fiction
 - Determining Your Reading Goals
3. Choosing the Right eBook Platform
 - Popular eBook Platforms
 - Features to Look for in an Honda Outboard Remote Wiring
 - User-Friendly Interface
4. Exploring eBook Recommendations from Honda Outboard Remote Wiring
 - Personalized Recommendations
 - Honda Outboard Remote Wiring User Reviews and Ratings
 - Honda Outboard Remote Wiring and Bestseller Lists
5. Accessing Honda Outboard Remote Wiring Free and Paid eBooks
 - Honda Outboard Remote Wiring Public Domain eBooks
 - Honda Outboard Remote Wiring eBook Subscription Services
 - Honda Outboard Remote Wiring Budget-Friendly Options
6. Navigating Honda Outboard Remote Wiring eBook Formats
 - ePub, PDF, MOBI, and More
 - Honda Outboard Remote Wiring Compatibility with Devices
 - Honda Outboard Remote Wiring Enhanced eBook Features
7. Enhancing Your Reading Experience
 - Adjustable Fonts and Text Sizes of Honda Outboard Remote Wiring
 - Highlighting and Note-Taking Honda Outboard Remote Wiring
 - Interactive Elements Honda Outboard Remote Wiring
8. Staying Engaged with Honda Outboard Remote Wiring

- Joining Online Reading Communities
 - Participating in Virtual Book Clubs
 - Following Authors and Publishers Honda Outboard Remote Wiring
9. Balancing eBooks and Physical Books Honda Outboard Remote Wiring
- Benefits of a Digital Library
 - Creating a Diverse Reading Collection Honda Outboard Remote Wiring
10. Overcoming Reading Challenges
- Dealing with Digital Eye Strain
 - Minimizing Distractions
 - Managing Screen Time
11. Cultivating a Reading Routine Honda Outboard Remote Wiring
- Setting Reading Goals Honda Outboard Remote Wiring
 - Carving Out Dedicated Reading Time
12. Sourcing Reliable Information of Honda Outboard Remote Wiring
- Fact-Checking eBook Content of Honda Outboard Remote Wiring
 - Distinguishing Credible Sources
13. Promoting Lifelong Learning
- Utilizing eBooks for Skill Development
 - Exploring Educational eBooks
14. Embracing eBook Trends
- Integration of Multimedia Elements
 - Interactive and Gamified eBooks

Honda Outboard Remote Wiring Introduction

In today's digital age, the availability of Honda Outboard Remote Wiring books and manuals for download has revolutionized the way we access information. Gone are the days of physically flipping through pages and carrying heavy textbooks or manuals. With just a few clicks, we can now access a wealth of knowledge from the comfort of our own homes or on the go. This article will explore the advantages of Honda Outboard Remote Wiring books and manuals for download, along with some popular platforms that offer these resources. One of the significant advantages of Honda Outboard Remote Wiring books and manuals for download is the cost-saving aspect. Traditional books and manuals can be costly, especially if you need to

purchase several of them for educational or professional purposes. By accessing Honda Outboard Remote Wiring versions, you eliminate the need to spend money on physical copies. This not only saves you money but also reduces the environmental impact associated with book production and transportation. Furthermore, Honda Outboard Remote Wiring books and manuals for download are incredibly convenient. With just a computer or smartphone and an internet connection, you can access a vast library of resources on any subject imaginable. Whether you're a student looking for textbooks, a professional seeking industry-specific manuals, or someone interested in self-improvement, these digital resources provide an efficient and accessible means of acquiring knowledge. Moreover, PDF books and manuals offer a range of benefits compared to other digital formats. PDF files are designed to retain their formatting regardless of the device used to open them. This ensures that the content appears exactly as intended by the author, with no loss of formatting or missing graphics. Additionally, PDF files can be easily annotated, bookmarked, and searched for specific terms, making them highly practical for studying or referencing. When it comes to accessing Honda Outboard Remote Wiring books and manuals, several platforms offer an extensive collection of resources. One such platform is Project Gutenberg, a nonprofit organization that provides over 60,000 free eBooks. These books are primarily in the public domain, meaning they can be freely distributed and downloaded. Project Gutenberg offers a wide range of classic literature, making it an excellent resource for literature enthusiasts. Another popular platform for Honda Outboard Remote Wiring books and manuals is Open Library. Open Library is an initiative of the Internet Archive, a non-profit organization dedicated to digitizing cultural artifacts and making them accessible to the public. Open Library hosts millions of books, including both public domain works and contemporary titles. It also allows users to borrow digital copies of certain books for a limited period, similar to a library lending system. Additionally, many universities and educational institutions have their own digital libraries that provide free access to PDF books and manuals. These libraries often offer academic texts, research papers, and technical manuals, making them invaluable resources for students and researchers. Some notable examples include MIT OpenCourseWare, which offers free access to course materials from the Massachusetts Institute of Technology, and the Digital Public Library of America, which provides a vast collection of digitized books and historical documents. In conclusion, Honda Outboard Remote Wiring books and manuals for download have transformed the way we access information. They provide a cost-effective and convenient means of acquiring knowledge, offering the ability to access a vast library of resources at our fingertips. With platforms like Project Gutenberg, Open Library, and various digital libraries offered by educational institutions, we have access to an ever-expanding collection of books and manuals. Whether for educational, professional, or personal purposes, these digital resources serve as valuable tools for continuous learning and self-improvement. So why not take advantage of the vast world of Honda Outboard Remote Wiring books and manuals for download and embark on your journey of knowledge?

FAQs About Honda Outboard Remote Wiring Books

What is a Honda Outboard Remote Wiring PDF? A PDF (Portable Document Format) is a file format developed by Adobe that preserves the layout and formatting of a document, regardless of the software, hardware, or operating system used to view or print it. **How do I create a Honda Outboard Remote Wiring PDF?** There are several ways to create a PDF: Use software like Adobe Acrobat, Microsoft Word, or Google Docs, which often have built-in PDF creation tools. Print to PDF: Many applications and operating systems have a "Print to PDF" option that allows you to save a document as a PDF file instead of printing it on paper. Online converters: There are various online tools that can convert different file types to PDF. **How do I edit a Honda Outboard Remote Wiring PDF?** Editing a PDF can be done with software like Adobe Acrobat, which allows direct editing of text, images, and other elements within the PDF. Some free tools, like PDFescape or Smallpdf, also offer basic editing capabilities. **How do I convert a Honda Outboard Remote Wiring PDF to another file format?** There are multiple ways to convert a PDF to another format: Use online converters like Smallpdf, Zamzar, or Adobe Acrobat's export feature to convert PDFs to formats like Word, Excel, JPEG, etc. Software like Adobe Acrobat, Microsoft Word, or other PDF editors may have options to export or save PDFs in different formats. **How do I password-protect a Honda Outboard Remote Wiring PDF?** Most PDF editing software allows you to add password protection. In Adobe Acrobat, for instance, you can go to "File" -> "Properties" -> "Security" to set a password to restrict access or editing capabilities. Are there any free alternatives to Adobe Acrobat for working with PDFs? Yes, there are many free alternatives for working with PDFs, such as: LibreOffice: Offers PDF editing features. PDFsam: Allows splitting, merging, and editing PDFs. Foxit Reader: Provides basic PDF viewing and editing capabilities. How do I compress a PDF file? You can use online tools like Smallpdf, ILovePDF, or desktop software like Adobe Acrobat to compress PDF files without significant quality loss. Compression reduces the file size, making it easier to share and download. Can I fill out forms in a PDF file? Yes, most PDF viewers/editors like Adobe Acrobat, Preview (on Mac), or various online tools allow you to fill out forms in PDF files by selecting text fields and entering information. Are there any restrictions when working with PDFs? Some PDFs might have restrictions set by their creator, such as password protection, editing restrictions, or print restrictions. Breaking these restrictions might require specific software or tools, which may or may not be legal depending on the circumstances and local laws.

Find Honda Outboard Remote Wiring :

go go said the bird

global hr manager

glow in the dark ocean creatures

global geopolitical flashpoints an atlas of conflict

goats for fibre guide to producing mohair cashmere and cashgora in great britain

global studies africa

go find training your dog to track

globally optimal design

god and caesar biblical faith and political action

god and my neighbour

go toward the light

global economy 1944-2000 limits of ideology - arnold

gm-geosafari-new t

global search and seizure the us national interest v international law

god and design the teleological argument and modern science

Honda Outboard Remote Wiring :

the fast forward mba in project management fast forward mba - Jun 01 2022

web oct 12 2015 the fast forward mba in project management is the classic resource and handy guide to essential project management methods tools and techniques now in its fifth edition the text retains its laser like focus on excellence in project management and outlines the key factors that influence project success

the fast forward mba in project management 5th edition - Jul 14 2023

web the fast forward mba in project management is the comprehensive guide to real world project management methods tools and techniques practical easy to use and deeply thorough this book gives you answers you need now

the fast forward mba in project management 6th edition the - Aug 03 2022

web the fast forward mba in project management is a comprehensive guide to real world project management methods tools and techniques practical easy to use and deeply thorough this book gives you the answers you need now

the fast forward mba in project management fast forward mba - May 12 2023

web nov 9 2015 in stock the all inclusive guide to exceptional project management the fast forward mba in project management is the comprehensive guide to real world project management methods tools and techniques practical easy to use and deeply thorough this book gives you answers you need now

the fast forward mba in project management 6th edition - Dec 07 2022

web the fast forward mba in project management the comprehensive easy to read handbook for beginners and pros 6th

edition is a comprehensive guide to real world project management methods tools and techniques practical easy to use and deeply thorough this book gives you the answers you need now

[the fast forward mba in project management wiley online](#) - Apr 11 2023

web the fast forward mbaba in project management eric verzu h fifth edition 1 online resource fast forward mba series revised edition of the author s the fast forward mbaba in project management 2011 includes index description based on print version record and cip data provided by publisher resource not viewed

the fast forward mba in project management fifth edition - Aug 15 2023

web sep 21 2015 the fast forward mba in project management is the comprehensive guide to real world project management methods tools and techniques practical easy to use and deeply thorough this book gives you answers you need now

[the fast forward mba in project management google books](#) - Oct 05 2022

web jan 7 2021 the fast forward mba in project management the comprehensive easy to read handbook for beginners and pros 6th edition is a comprehensive guide to real world project management methods

the fast forward mba in project management google books - Jul 02 2022

web nov 9 2015 eric verzu h john wiley sons nov 9 2015 business economics 528 pages the all inclusive guide to exceptional project management the fast forward mba in project management is the comprehensive guide to real world project management methods tools and techniques

amazon com the fast forward mba in project management - Sep 04 2022

web amazon com the fast forward mba in project management the

[building a high performance project team the fast forward mba](#) - Jan 28 2022

web sep 21 2015 this chapter has emphasizes that project team members are challenged to work interdependently to solve many problems the leadership actions and team factors take energy and effort the fast forward mba in project management fifth edition

the fast forward mba in project management fast forward mba - Feb 09 2023

web the fast forward mba in project management fast forward mba series verzu h eric amazon com tr
wiley the fast forward mba in project management the - Nov 06 2022

web the fast forward mba in project management the comprehensive easy to read handbook for beginners and pros 6th edition eric verzu h description the all inclusive guide to exceptional project management that is trusted by hundreds of thousands of readers now updated and revised

[the fast forward mba in project management google books](#) - Mar 30 2022

web jan 11 2011 an updated and revised edition of a bestselling guide to project management the first edition of the fast forward mba in project management sold over 100 000 copies and has been widely adopted in university courses and corporate training programs around the world

[the fast forward mba in project management the versatile company](#) - Jun 13 2023

web the fast forward mba in project management sixth edition is a must read book with related case studies and tips on real world applications on practicing project management including hybrid agile and traditional development life cycles

[the fast forward mba in project management 5th edition](#) - Jan 08 2023

web the all inclusive guide to exceptional project management the fast forward mba in project management is the comprehensive guide to real world project management methods tools and techniques practical easy to use and deeply thorough this book gives you answers you need now

[the fast forward mba in project management 4th edition](#) - Apr 30 2022

web nov 8 2011 perfect for beginners or experienced managers needing to bring their systems up to date the fast forward mba in project management allows readers to extract maximum information in minimum time the most comprehensive introduction to project management updated to reflect changes in the business environment over the past few

the fast forward mba in project management worldcat org - Dec 27 2021

web summary as the business world has changed so has project management and so has this bestselling comprehensive resource keeping up with the state of project management today this edition includes entirely new information on building project teams and enterprise project management

[the fast forward mba in project management 5th edition](#) - Feb 26 2022

web this chapter looks at the ways in which managing projects differs from managing ongoing operations and shows how the discipline of project management has evolved to address the challenges that are unique to projects

[the fast forward mba in project management the comprehensive](#) - Mar 10 2023

web whether the challenge is finding the right project sponsor clarifying project objectives or setting realistic schedules and budget projections the fast forward mba in project management shows you what you need to know the best way to do it and what to watch out for along the way

the merck manual of diagnosis and therapy elsevier health - Mar 09 2023

web presented is the 19th edition of the merck manual of diagnosis and therapy which provides more than 850 additional pages 15 new chapters and over 300 new tables

[merck manual of diagnosis and therapy wikipedia](#) - Jun 12 2023

web apr 17 2018 the merck manual of diagnosis and therapy now in its 20th edition has been thoroughly updated and

thoughtfully expanded with a new larger trim size to

[the merck manual of diagnosis and therapy 17th ed apa](#) - Apr 29 2022

web presents the full text of the merck manual of diagnosis and therapy seventeenth edition centennial edition published by merck and co inc in whitehouse station

[the merck manual of diagnosis and therapy hardcover](#) - Jul 01 2022

web citation beers m h berkow r bogin r m fletcher a j eds 1999 the merck manual of diagnosis and therapy 17th ed merck research laboratories abstract

[print editions merck manuals consumer version](#) - Dec 26 2021

web now free online the professional version of the merck manuals known as the msd manuals outside of us canada is the global standard in medical reference for

the merck manual of diagnosis and therapy 19th ed apa - Feb 08 2023

web back by popular demand the world s most widely used medical reference is now in its 20th edition the merck manual of diagnosis and therapy now in its 20th edition has been

the merck manual of diagnosis and therapy 20th edition - Jul 13 2023

the merck manual of diagnosis and therapy referred to as the merck manual is the world s best selling medical textbook and the oldest continuously published english language medical textbook first published in 1899 the current print edition of the book the 20th edition was published in 2018 in 2014 merck decided to move the merck manual to digital only online publica

the merck manual of diagnosis and therapy 18th edition - Aug 02 2022

web presents the 15th edition of the merck manual of diagnosis and therapy it is noted that the purpose of this book is to provide useful information to practicing physicians medical

the merck manual of diagnosis and therapy pmc - Jan 27 2022

web the merck manual of diagnosis and therapy pmc journal list ann rheum dis v 9 3 1950 sep pmc1030781 as a library nlm provides access to scientific literature

merck manuals professional edition - Oct 24 2021

[merck manuals consumer version](#) - Oct 04 2022

web dec 5 2006 the merck manual of diagnosis and therapy is a long established comprehensive reference in the field of general medicine the strategy is to compress a

[the merck manual of diagnosis and therapy edition 20](#) - Nov 05 2022

web jul 13 2023 msd manual in ukrainian the msd manuals has launched a ukrainian language site to support health care

professionals who are caring for people in need

the merck manual of diagnosis and therapy 20th edition - Jan 07 2023

web presented here is the 16th edition of the merck manual of diagnosis and therapy it is noted that disorders are organized mainly according to the organ systems primarily

[the merck manual of diagnosis and therapy 15th ed apa](#) - May 31 2022

web overview of the merck manuals content last modified aug 2023 first published in 1899 as a small reference book for physicians and pharmacists the manual grew in size and

msd manual professional edition - Sep 03 2022

web the world s most widely used medical reference is now better than ever for its 19th edition the merck manual of diagnosis and therapy has been thoroughly updated and

[the merck manual of diagnosis and therapy 16th ed apa](#) - Dec 06 2022

web the merck manual of diagnosis and therapy now in its 20th edition has been thoroughly updated and thoughtfully expanded with a new larger trim size to include 40 new and

the merck manual of diagnosis and therapy 20th edition - Apr 10 2023

web the new merck manual of diagnosis and therapy 20th edition is a must have for medical students residents practicing physicians nurses and allied health professionals it has

the merck manual of diagnosis and therapy library of congress - Feb 25 2022

web the merck manual home health handbook contains virtually all the information in the physicians version of the merck manual but is written in easy to understand everyday

the merck manual of diagnosis and therapy pmc - Nov 24 2021

the merck manual of diagnosis and therapy amazon com - May 11 2023

web the merck manual of diagnosis and therapy has been thoroughly updated and expanded with a larger trim size to include 40 new and revised content including 36 new

overview of the merck manuals merck manuals professional - Mar 29 2022

web the merck manual of diagnosis and therapy reviewed by lewis r lipsey copyright and license information disclaimer full text full text is available as a scanned copy of the

[merck manuals professional edition](#) - Aug 14 2023

web jul 13 2023 merck manuals professional edition now free online the professional version of the merck manuals known as the msd manuals outside of us canada is

tải xuống opera mini dành cho điện thoại di động opera - Feb 06 2023

web truy cập m opera com trên điện thoại của bạn để tải xuống tải xuống opera mini cho điện thoại của bạn ngay bây giờ lưu dữ liệu xem thêm video trên di động mà không phải dừng lại hay có vùng đệm và tăng tốc miễn phí các kết nối chậm

download opera mini for mobile phones opera - Oct 14 2023

web opera mini faster cheaper internet for your phone opera mini is one of the world s most popular web browsers that works on almost any phone save up to 90 of your data for free visit m opera com on your phone to download

nokia 110 4g test full applications youtube - Jan 05 2023

web jul 10 2021 nokia 110 4g test full applications camera internet message recorder fm radio and more nokia 110 4g display tft lcd 1 8 65k colors cpu unisoc t107 ram 128 mb storage 48 mb battery 1020

mở hộp đánh giá nhanh nokia 110 4g và nokia 105 4g youtube - Mar 27 2022

web cùng so sánh nhanh 2 chiếc nokia mới của nhà nokia là 110 4g và 105 4g hai mẫu điện thoại phổ thông này có gì đặc biệt và khác nhau như thế nào nhé link mu

nokia 110 4g ultimate guide of tips tricks r dumbphones reddit - Mar 07 2023

web nov 22 2022 i bought the nokia 110 4g precisely because it was cheap and if it gets broken or lost we won t care do you know if there is any way to delete or disable the facebook app and or opera web browser on the phone

nokia 110 4g review a solid feature phone nokiapoweruser - Apr 08 2023

web oct 14 2021 it comes with a mini opera browser that works excellent for devices with a small screen readout mode which basically converts all written text to audio to aid those with poor visual acuity a

[nokia 110 opera renewalcc com](#) - May 29 2022

web nokia 110 opera downloaded from renewalcc com by guest gordon durham the games machines music opera dance and drama in asia the pacific and north americapc magpcmag com is a leading authority on technology delivering labs based independent reviews of the latest products and services our expert industry analysis

[how to download opera mini on nokia ccm](#) - Nov 03 2022

web mar 23 2022 how to download opera mini on nokia david webb 23 03 22 15 08 opera mini web browser is now available for nokia smartphones nokia phones can be configured for opera mini manually by creating a free prov setting this guide is applicable for nokia s60 series phones

nokia 110 feature mobile phone - Apr 27 2022

web nokia 110 features a solid modern design that fits perfectly in your hand capture the moment with the built in camera listen to news sports and entertainment on the go with the wireless fm radio or listen to your favorite tracks with the mp3 player

the new nokia 110 with mp3 player - Sep 13 2023

web nokia 110 with nokia 110 there s never a dull moment with the rear camera you re ready to capture life s best bits and with the built in mp3 player fm radio and games entertainment is always on hand it s all powered for days

how can i download and install opera mini on nokia 110 ask me fast - Jun 10 2023

web download opera mini 7 for nokia 110 i reset my nokia asha 302 and now the browser is not working and then if i try to download opera mini or uc browser and it says no certificate on unable to download anything in nokia n72 while using uc

free download opera mini 7 1 for nokia 110 112 113 app - Aug 12 2023

web opera mini 7 1 it is the newest version of opera mini published by asa softwares new and advanced features than the previous versions of opera mini better design and graphics with tabs now faster defend on the data that the network provides and beautiful for nokia 110 112 113 download app free

nokia 110 full phone specifications gsmarena com - Jul 11 2023

web nokia 110 released 2012 june 80g 14 5mm thickness feature phone 10mb storage microsdhc slot 0 1 2 941 505 hits 75 become a fan 1 8 128x160 pixels

nokia 110 4g 2023 reviewed stunning design updated features - Oct 02 2022

web jun 24 2023 the nokia 110 4g 2023 also retains all the essential features of its predecessor such as the wired wireless fm radio t9 dictionary input memory card support 3 5mm headphone input and opera

nokia 110 4g takes on jioharat with upi payment and other - Dec 04 2022

web jul 4 2023 nokia 110 4g and nokia 110 2g phones launched in india the nokia 4g phone arrives on the heels of the jioharat launch here are the nokia 110 4g price features and availability details

frequently asked questions for opera mini for other platforms - Jun 29 2022

web generally to change file permissions navigate to the folder where your opera mini app is located highlight opera mini and and select your phone s options or menu button look for application permission settings opera mini requires access to read and write user data and access to web connections if you cannot find these settings consult

opera mini size nokia 110 opera mini orientation sutd edu sg - Jul 31 2022

web opera mini size nokia 110 opera mini opera mini size nokia 110 opera mini simple groupware manual viewport sizes the best portable bluetooth speaker reviews by wirecutter case studies amp customer success amazon web services spy camera in delhi india best hidden wireless cameras online mobile browser id strings a k a user

nokia 110 opera copy cyberlab sutd edu sg - Feb 23 2022

web nokia 110 opera nomenclature of diseases apr 22 2022 reprint of the original opera singer journal gift for opera singer feb 06 2021 110 white pages college ruled notebook medium ruled matte cover this funny opera singer notebook is a great

opera singer gift under 10 00 it is the perfect companion for any opera singer

the new nokia 110 with mp3 player - Sep 01 2022

web bertel jungin aukio 9 02600 espoo finland business id 2724044 2 with the built in mp3 player rear camera and more there is never a dull moment

nokia 110 with 4g camera and bluetooth - May 09 2023

web nokia 110 4g comes prepared with bluetooth connectivity a built in torch camera an opera mini internet browser and pre loaded games don t miss out sign up and be the first to get nokia phone news and offers