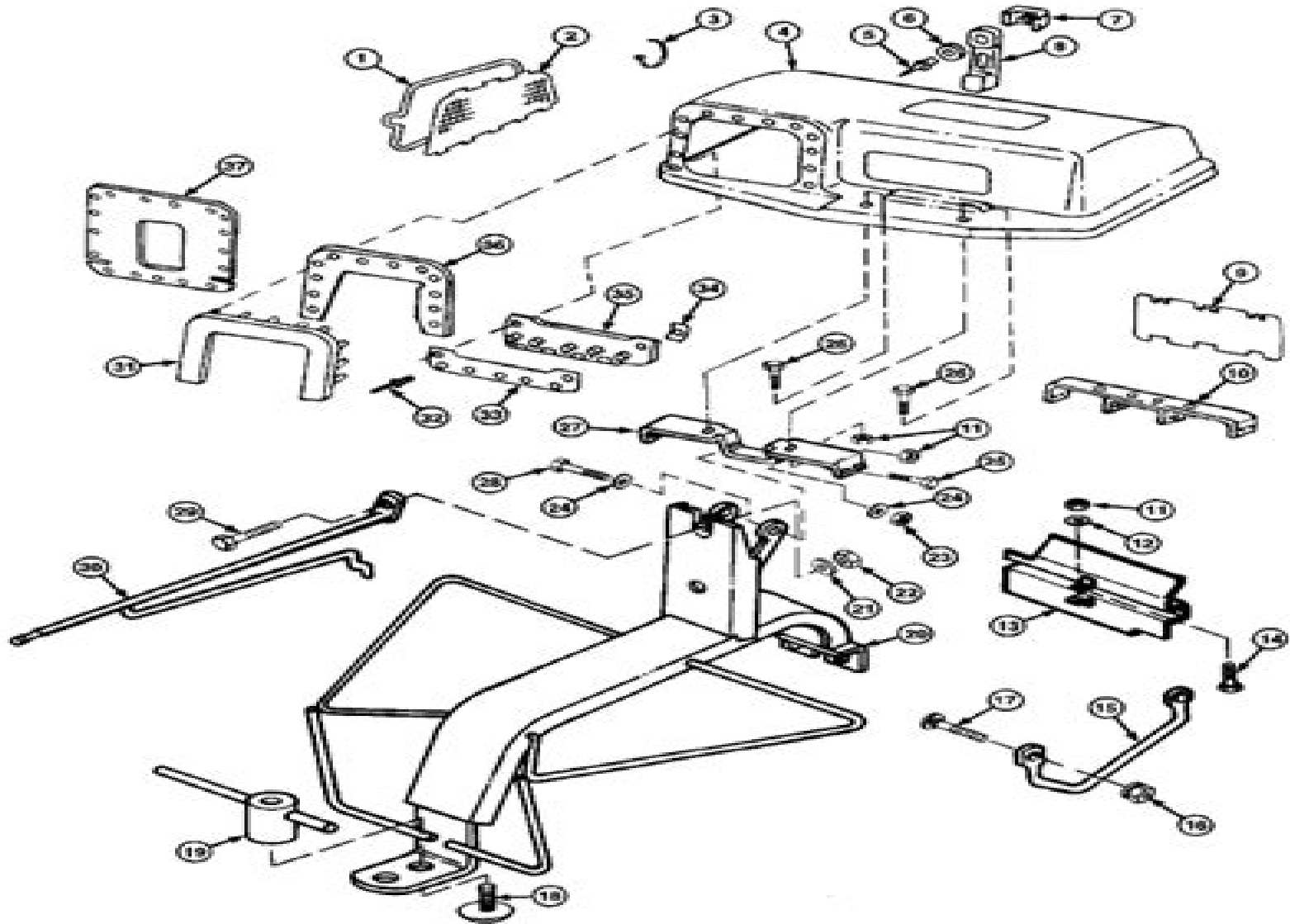


REPAIR HOPPER TOP AND MOUNTING BRACKET



80
20
10

John Deere 525 Service Manual

Didier Musso



John Deere 525 Service Manual:

The Enigmatic Realm of **John Deere 525 Service Manual**: Unleashing the Language is Inner Magic

In a fast-paced digital era where connections and knowledge intertwine, the enigmatic realm of language reveals its inherent magic. Its capacity to stir emotions, ignite contemplation, and catalyze profound transformations is nothing short of extraordinary. Within the captivating pages of **John Deere 525 Service Manual** a literary masterpiece penned with a renowned author, readers attempt a transformative journey, unlocking the secrets and untapped potential embedded within each word. In this evaluation, we shall explore the book's core themes, assess its distinct writing style, and delve into its lasting impact on the hearts and minds of those who partake in its reading experience.

<https://staging.conocer.cide.edu/book/browse/HomePages/General%20Model%20Of%20Legged%20Locomotion%20On%20Natural%20Terrain.pdf>

Table of Contents John Deere 525 Service Manual

1. Understanding the eBook John Deere 525 Service Manual
 - The Rise of Digital Reading John Deere 525 Service Manual
 - Advantages of eBooks Over Traditional Books
2. Identifying John Deere 525 Service Manual
 - Exploring Different Genres
 - Considering Fiction vs. Non-Fiction
 - Determining Your Reading Goals
3. Choosing the Right eBook Platform
 - Popular eBook Platforms
 - Features to Look for in an John Deere 525 Service Manual
 - User-Friendly Interface
4. Exploring eBook Recommendations from John Deere 525 Service Manual
 - Personalized Recommendations
 - John Deere 525 Service Manual User Reviews and Ratings

- John Deere 525 Service Manual and Bestseller Lists
- 5. Accessing John Deere 525 Service Manual Free and Paid eBooks
 - John Deere 525 Service Manual Public Domain eBooks
 - John Deere 525 Service Manual eBook Subscription Services
 - John Deere 525 Service Manual Budget-Friendly Options
- 6. Navigating John Deere 525 Service Manual eBook Formats
 - ePub, PDF, MOBI, and More
 - John Deere 525 Service Manual Compatibility with Devices
 - John Deere 525 Service Manual Enhanced eBook Features
- 7. Enhancing Your Reading Experience
 - Adjustable Fonts and Text Sizes of John Deere 525 Service Manual
 - Highlighting and Note-Taking John Deere 525 Service Manual
 - Interactive Elements John Deere 525 Service Manual
- 8. Staying Engaged with John Deere 525 Service Manual
 - Joining Online Reading Communities
 - Participating in Virtual Book Clubs
 - Following Authors and Publishers John Deere 525 Service Manual
- 9. Balancing eBooks and Physical Books John Deere 525 Service Manual
 - Benefits of a Digital Library
 - Creating a Diverse Reading Collection John Deere 525 Service Manual
- 10. Overcoming Reading Challenges
 - Dealing with Digital Eye Strain
 - Minimizing Distractions
 - Managing Screen Time
- 11. Cultivating a Reading Routine John Deere 525 Service Manual
 - Setting Reading Goals John Deere 525 Service Manual
 - Carving Out Dedicated Reading Time
- 12. Sourcing Reliable Information of John Deere 525 Service Manual
 - Fact-Checking eBook Content of John Deere 525 Service Manual
 - Distinguishing Credible Sources

-
13. Promoting Lifelong Learning
 - Utilizing eBooks for Skill Development
 - Exploring Educational eBooks
 14. Embracing eBook Trends
 - Integration of Multimedia Elements
 - Interactive and Gamified eBooks

John Deere 525 Service Manual Introduction

Free PDF Books and Manuals for Download: Unlocking Knowledge at Your Fingertips In today's fast-paced digital age, obtaining valuable knowledge has become easier than ever. Thanks to the internet, a vast array of books and manuals are now available for free download in PDF format. Whether you are a student, professional, or simply an avid reader, this treasure trove of downloadable resources offers a wealth of information, conveniently accessible anytime, anywhere. The advent of online libraries and platforms dedicated to sharing knowledge has revolutionized the way we consume information. No longer confined to physical libraries or bookstores, readers can now access an extensive collection of digital books and manuals with just a few clicks. These resources, available in PDF, Microsoft Word, and PowerPoint formats, cater to a wide range of interests, including literature, technology, science, history, and much more. One notable platform where you can explore and download free John Deere 525 Service Manual PDF books and manuals is the internet's largest free library. Hosted online, this catalog compiles a vast assortment of documents, making it a veritable goldmine of knowledge. With its easy-to-use website interface and customizable PDF generator, this platform offers a user-friendly experience, allowing individuals to effortlessly navigate and access the information they seek. The availability of free PDF books and manuals on this platform demonstrates its commitment to democratizing education and empowering individuals with the tools needed to succeed in their chosen fields. It allows anyone, regardless of their background or financial limitations, to expand their horizons and gain insights from experts in various disciplines. One of the most significant advantages of downloading PDF books and manuals lies in their portability. Unlike physical copies, digital books can be stored and carried on a single device, such as a tablet or smartphone, saving valuable space and weight. This convenience makes it possible for readers to have their entire library at their fingertips, whether they are commuting, traveling, or simply enjoying a lazy afternoon at home. Additionally, digital files are easily searchable, enabling readers to locate specific information within seconds. With a few keystrokes, users can search for keywords, topics, or phrases, making research and finding relevant information a breeze. This efficiency saves time and effort, streamlining the learning process and allowing individuals to focus on extracting the information they need. Furthermore, the availability of free PDF books and manuals fosters a culture of continuous learning.

By removing financial barriers, more people can access educational resources and pursue lifelong learning, contributing to personal growth and professional development. This democratization of knowledge promotes intellectual curiosity and empowers individuals to become lifelong learners, promoting progress and innovation in various fields. It is worth noting that while accessing free John Deere 525 Service Manual PDF books and manuals is convenient and cost-effective, it is vital to respect copyright laws and intellectual property rights. Platforms offering free downloads often operate within legal boundaries, ensuring that the materials they provide are either in the public domain or authorized for distribution. By adhering to copyright laws, users can enjoy the benefits of free access to knowledge while supporting the authors and publishers who make these resources available. In conclusion, the availability of John Deere 525 Service Manual free PDF books and manuals for download has revolutionized the way we access and consume knowledge. With just a few clicks, individuals can explore a vast collection of resources across different disciplines, all free of charge. This accessibility empowers individuals to become lifelong learners, contributing to personal growth, professional development, and the advancement of society as a whole. So why not unlock a world of knowledge today? Start exploring the vast sea of free PDF books and manuals waiting to be discovered right at your fingertips.

FAQs About John Deere 525 Service Manual Books

How do I know which eBook platform is the best for me? Finding the best eBook platform depends on your reading preferences and device compatibility. Research different platforms, read user reviews, and explore their features before making a choice. Are free eBooks of good quality? Yes, many reputable platforms offer high-quality free eBooks, including classics and public domain works. However, make sure to verify the source to ensure the eBook credibility. Can I read eBooks without an eReader? Absolutely! Most eBook platforms offer webbased readers or mobile apps that allow you to read eBooks on your computer, tablet, or smartphone. How do I avoid digital eye strain while reading eBooks? To prevent digital eye strain, take regular breaks, adjust the font size and background color, and ensure proper lighting while reading eBooks. What the advantage of interactive eBooks? Interactive eBooks incorporate multimedia elements, quizzes, and activities, enhancing the reader engagement and providing a more immersive learning experience. John Deere 525 Service Manual is one of the best book in our library for free trial. We provide copy of John Deere 525 Service Manual in digital format, so the resources that you find are reliable. There are also many Ebooks of related with John Deere 525 Service Manual. Where to download John Deere 525 Service Manual online for free? Are you looking for John Deere 525 Service Manual PDF? This is definitely going to save you time and cash in something you should think about. If you trying to find then search around for online. Without a doubt there are numerous these available and many of them have the freedom. However without doubt you

receive whatever you purchase. An alternate way to get ideas is always to check another John Deere 525 Service Manual. This method for see exactly what may be included and adopt these ideas to your book. This site will almost certainly help you save time and effort, money and stress. If you are looking for free books then you really should consider finding to assist you try this. Several of John Deere 525 Service Manual are for sale to free while some are payable. If you arent sure if the books you would like to download works with for usage along with your computer, it is possible to download free trials. The free guides make it easy for someone to free access online library for download books to your device. You can get free download on free trial for lots of books categories. Our library is the biggest of these that have literally hundreds of thousands of different products categories represented. You will also see that there are specific sites catered to different product types or categories, brands or niches related with John Deere 525 Service Manual. So depending on what exactly you are searching, you will be able to choose e books to suit your own need. Need to access completely for Campbell Biology Seventh Edition book? Access Ebook without any digging. And by having access to our ebook online or by storing it on your computer, you have convenient answers with John Deere 525 Service Manual To get started finding John Deere 525 Service Manual, you are right to find our website which has a comprehensive collection of books online. Our library is the biggest of these that have literally hundreds of thousands of different products represented. You will also see that there are specific sites catered to different categories or niches related with John Deere 525 Service Manual So depending on what exactly you are searching, you will be able tochoose ebook to suit your own need. Thank you for reading John Deere 525 Service Manual. Maybe you have knowledge that, people have search numerous times for their favorite readings like this John Deere 525 Service Manual, but end up in harmful downloads. Rather than reading a good book with a cup of coffee in the afternoon, instead they juggled with some harmful bugs inside their laptop. John Deere 525 Service Manual is available in our book collection an online access to it is set as public so you can download it instantly. Our digital library spans in multiple locations, allowing you to get the most less latency time to download any of our books like this one. Merely said, John Deere 525 Service Manual is universally compatible with any devices to read.

Find John Deere 525 Service Manual :

~~general model of legged locomotion on natural terrain~~

gender and family therapy

general method of social work practice mcmahons generalist perspective

gender/power plays harold pinter

general smuts

gender power leadership and governance

gender families and close relationships vol. 3 feminist research journeys

geheimnis und geheimhaltung im rabbinischen judentum

general theory of competition resources competences productivity economic growth

genealogical heraldic history 4vol

general surgery review and assessment

geist und gesellschaft im alten europa

gene shepards wisconsin hodag

geeta enlightened

genealogical & family history of central new york

John Deere 525 Service Manual :

Advanced Engineering Thermodynamics If this book refers to media such as a CD or DVD that is not included in the version you purchased, you may download this material at www.wiley.com/go/. Advanced Engineering Thermodynamics Sep 12, 2016 — ADRIAN BEJAN is the J.A. Jones Distinguished Professor of Mechanical Engineering at Duke University, and an internationally-recognized ... Advanced Engineering Thermodynamics, 4th Edition Advanced Engineering Thermodynamics, 4th Edition. Adrian Bejan. ISBN: 978-1 ... Download Product Flyer is to download PDF in new tab. This is a dummy ... Adrian Bejan Advanced Engineering Thermodynamics 3rd ... Adrian Bejan Advanced Engineering Thermodynamics 3rd Edition Solution Manual (... Download PDF. See Full PDF Download PDF. Loading... Loading Preview. Sorry ... Advanced Engineering Thermodynamics - Adrian Bejan This practical approach describes real-world applications of thermodynamics concepts, including solar energy, refrigeration, air conditioning, thermofluid ... Advanced Engineering Thermodynamics Advanced Engineering Thermodynamics - Kindle edition by Bejan, Adrian. Download it once and read it on your Kindle device, PC, phones or tablets. Advanced Engineering Thermodynamics | Z-Library Adrian Bejan. 5.0 / 5.0. 0 comments. An advanced, practical approach to the first and second laws of thermodynamics Advanced Engineering Thermodynamics bridges ... Advanced Engineering Thermodynamics: Bejan, Adrian A brand-new, thought-provoking edition of the unmatched resource on engineering thermodynamics. Adrian Bejan's Advanced Engineering Thermodynamics ... Advanced Engineering Thermodynamic 3 Ed. - Adrian ... ADVANCED ENGINEERING THERMODYNAMIC 3^a ED. - ADRIAN BEJAN.pdf - Free ebook download as PDF File (.pdf) or read book online for free. Adrian Bejan Advanced Engineering Thermodynamics, Second Edition, Wiley, 1997, 888 pages. ... Bejan, Adrian, 1948-. Convection heat transfer / Adrian Bejan. p. cm. Includes ... Idylis 70-Pint 3-Speed Dehumidifier with Built-In Pump ... Idylis 70-Pint 3-Speed Dehumidifier with Built-In Pump (For Rooms 1501-3000 sq ft). Item #526051 |. Model #WDH-1670EAP-1. Idylis WDH-1670EAP-1 Dehumidifier for sale online Idylis 70-Pint 3-

Speed Dehumidifier with Built-In Pump ENERGY STAR. The pump ...feature is what sold me. There is no need to empty a tank. So far it has worked ... Idylis D RECALL DRP IDYLIS 70-PT W DEHUM - Lowe's I bought this dehumidifier for use in my finished basement. The unit was very easy to set up. The styling is good and the built in wheels make it easy to move ... IDYLIS 70-PINT 3-SPEED Dehumidifier with Built-in Pump ... Idylis 70-Pint 3-Speed Dehumidifier with Built-in Pump Model #: WDH-1670EAP-1. Sold \$57.00 3 Bids, 14-Day Returns, eBay Money Back Guarantee. I have a Idylis Dehumidifiers Model #: WDH-1670EAP-1 ... I have a Idylis Dehumidifiers Model #: WDH-1670EAP-1 with a broken fan blade. I am trying to find a place to buy a replacement. It was bought from Lowe's but I ... UPC 840206120030 - Idylis 70-Pint 3-Speed Dehumidifier ... Idylis 70-pint 3-speed Dehumidifier With Built-in Pump Wdh-1670eap-1; Idylis 70-Pint 3-Speed Dehumidifier with Built-in Pump ENERGY STAR. More Info. UPC-A: 8 ... Idylis 526011 User Manual View and Download Idylis 526011 user manual online. 526011 dehumidifier pdf manual download. Also for: 526051. Dehumidifier Recall: How to Find Out if it Affects You As a warning to all buyers, be cautious of the Idylis WDH-1670EAP from Lowes. I had this unit and it started a fire in my home, destroying more than half of ... Idylis WDH-1670EA-1 for sale online Find many great new & used options and get the best deals for Idylis WDH-1670EA-1 at the best online prices at eBay! Free shipping for many products! Study Guide for The Human Body in Health & Disease, 5e Mosby; Fifth Edition (January 1, 2010). Language, English. Paperback, 340 pages. ISBN-10, 0323054870. ISBN-13, 978-0323054874. Item Weight, 1.81 pounds. Study Guide for The Human Body in Health & Disease Title: Study Guide for The Human Body in Health & ... Publisher: Mosby. Publication Date: 2009. Binding: Paperback. Condition: GOOD. Edition: 5th or later ... Study Guide for the Human Body in Health & Disease ... Study Guide for the Human Body in Health & Disease (Paperback). By Kevin T. Patton, Frank B. Bell, Terry Thompson. \$43.99. Currently Unavailable. The Human Body in Health & Disease, 5th Edition Get a complete introduction to anatomy and physiology with the resource that makes challenging concepts easier to understand! Now in its 5th edition, ... Study Guide for The Human Body in Health and Illness [5th ... The Study Guide for The Human Body in Health and Illness is designed to help you learn the basic concepts of anatomy and physiology through relentless ... Study Guide For The Human Body In Health And Illness 5th ... Access Study Guide for The Human Body in Health and Illness 5th Edition solutions now. Our solutions are written by Chegg experts so you can be assured of ... The Human Body In Health And Illness Study Guide Answers in Health and Illness, 7th Edition, this study guide makes it easy to understand ... Memmler's The Human Body in Health and Disease, Enhanced Edition. Barbara ... Elsevier eBook on VitalSource, 5th Edition - 9780323065078 The Human Body in Health & Disease - Elsevier eBook on VitalSource, 5th Edition ... chapter offer practical advice for learning new material. Authors. Gary A ... The Human Body in Health & Disease, 5th Edition - Softcover (24) · 9780323036443: Study Guide to Accompany The Human Body in Health & Disease. Mosby, 2005. Softcover. US\$ 4.50 (9) · See all 208 offers for this title from ... The Human Body in Health & Illness 5th Edition Ch. 1 & Ch. 2 Chapter 1: Intro to the Human Body Key Terms pg. 1, Review Your Knowledge &

Go Figure Questions pgs. 13 & 14 Chapter 2: Basic Chemistry Key Terms pg.