

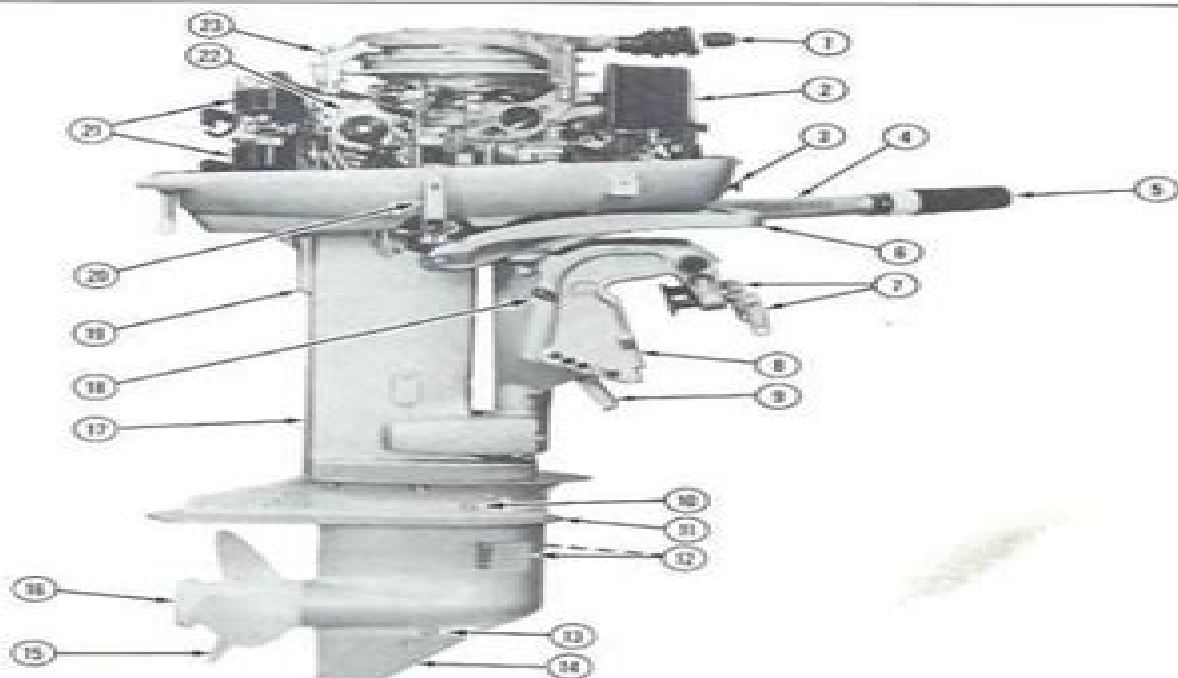
## OUTBOARD MOTOR NOMENCLATURE

Sometimes the words "right" and "left" are very confusing when referring to the sides of an outboard motor. Therefore, the sides are referred to as STARBOARD or PORT sides. STARBOARD means on the right hand while facing the bow (FRONT) of the boat; PORT means left hand. See Figures 1-1 and 1-2.

Service required for outboard motors is generally one of three kinds . . . .

1. **NORMAL CARE AND MAINTENANCE**, which includes putting a new motor into operation, storing motor, lubrication, and care under special operating conditions, such as salt water and cold weather.

2. **OPERATING MALFUNCTIONS** due to improper motor mounting, propeller condition or



1. Manual starter grip
2. Air silencer
3. Choke knob
4. Steering handle  
(manual start only)
5. Throttle control grip  
(manual start only)
6. Steering bracket
7. Clamp screws
8. Stern bracket
9. Shallow water  
drive bracket
10. Oil level plug
11. Anti-ventilation plate

12. Water intake  
(port and starboard)
13. Oil drain and fill plug
14. Skeg
15. Propeller
16. Converging ring
17. Exhaust housing
18. Tilt/run lever
19. Exhaust relief
20. Shift handle
21. Ignition coils
22. Fuel pump and filter
23. Manual starter  
lockout lever

Figure 1-1. Starboard View - 35 HP Manual Start

# Hp 2409p Service Manual

**S Baum**



## **Hp 2409p Service Manual:**

Ignite the flame of optimism with is motivational masterpiece, **Hp 2409p Service Manual** . In a downloadable PDF format ( PDF Size: \*), this ebook is a beacon of encouragement. Download now and let the words propel you towards a brighter, more motivated tomorrow.

[https://staging.conocer.cide.edu/results/book-search/index.jsp/Holt\\_High\\_School\\_Handbook\\_2.pdf](https://staging.conocer.cide.edu/results/book-search/index.jsp/Holt_High_School_Handbook_2.pdf)

## **Table of Contents Hp 2409p Service Manual**

1. Understanding the eBook Hp 2409p Service Manual
  - The Rise of Digital Reading Hp 2409p Service Manual
  - Advantages of eBooks Over Traditional Books
2. Identifying Hp 2409p Service Manual
  - Exploring Different Genres
  - Considering Fiction vs. Non-Fiction
  - Determining Your Reading Goals
3. Choosing the Right eBook Platform
  - Popular eBook Platforms
  - Features to Look for in an Hp 2409p Service Manual
  - User-Friendly Interface
4. Exploring eBook Recommendations from Hp 2409p Service Manual
  - Personalized Recommendations
  - Hp 2409p Service Manual User Reviews and Ratings
  - Hp 2409p Service Manual and Bestseller Lists
5. Accessing Hp 2409p Service Manual Free and Paid eBooks
  - Hp 2409p Service Manual Public Domain eBooks
  - Hp 2409p Service Manual eBook Subscription Services
  - Hp 2409p Service Manual Budget-Friendly Options
6. Navigating Hp 2409p Service Manual eBook Formats

- ePub, PDF, MOBI, and More
  - Hp 2409p Service Manual Compatibility with Devices
  - Hp 2409p Service Manual Enhanced eBook Features
7. Enhancing Your Reading Experience
    - Adjustable Fonts and Text Sizes of Hp 2409p Service Manual
    - Highlighting and Note-Taking Hp 2409p Service Manual
    - Interactive Elements Hp 2409p Service Manual
  8. Staying Engaged with Hp 2409p Service Manual
    - Joining Online Reading Communities
    - Participating in Virtual Book Clubs
    - Following Authors and Publishers Hp 2409p Service Manual
  9. Balancing eBooks and Physical Books Hp 2409p Service Manual
    - Benefits of a Digital Library
    - Creating a Diverse Reading Collection Hp 2409p Service Manual
  10. Overcoming Reading Challenges
    - Dealing with Digital Eye Strain
    - Minimizing Distractions
    - Managing Screen Time
  11. Cultivating a Reading Routine Hp 2409p Service Manual
    - Setting Reading Goals Hp 2409p Service Manual
    - Carving Out Dedicated Reading Time
  12. Sourcing Reliable Information of Hp 2409p Service Manual
    - Fact-Checking eBook Content of Hp 2409p Service Manual
    - Distinguishing Credible Sources
  13. Promoting Lifelong Learning
    - Utilizing eBooks for Skill Development
    - Exploring Educational eBooks
  14. Embracing eBook Trends
    - Integration of Multimedia Elements
    - Interactive and Gamified eBooks

### Hp 2409p Service Manual Introduction

In today's digital age, the availability of Hp 2409p Service Manual books and manuals for download has revolutionized the way we access information. Gone are the days of physically flipping through pages and carrying heavy textbooks or manuals. With just a few clicks, we can now access a wealth of knowledge from the comfort of our own homes or on the go. This article will explore the advantages of Hp 2409p Service Manual books and manuals for download, along with some popular platforms that offer these resources. One of the significant advantages of Hp 2409p Service Manual books and manuals for download is the cost-saving aspect. Traditional books and manuals can be costly, especially if you need to purchase several of them for educational or professional purposes. By accessing Hp 2409p Service Manual versions, you eliminate the need to spend money on physical copies. This not only saves you money but also reduces the environmental impact associated with book production and transportation. Furthermore, Hp 2409p Service Manual books and manuals for download are incredibly convenient. With just a computer or smartphone and an internet connection, you can access a vast library of resources on any subject imaginable. Whether you're a student looking for textbooks, a professional seeking industry-specific manuals, or someone interested in self-improvement, these digital resources provide an efficient and accessible means of acquiring knowledge. Moreover, PDF books and manuals offer a range of benefits compared to other digital formats. PDF files are designed to retain their formatting regardless of the device used to open them. This ensures that the content appears exactly as intended by the author, with no loss of formatting or missing graphics. Additionally, PDF files can be easily annotated, bookmarked, and searched for specific terms, making them highly practical for studying or referencing. When it comes to accessing Hp 2409p Service Manual books and manuals, several platforms offer an extensive collection of resources. One such platform is Project Gutenberg, a nonprofit organization that provides over 60,000 free eBooks. These books are primarily in the public domain, meaning they can be freely distributed and downloaded. Project Gutenberg offers a wide range of classic literature, making it an excellent resource for literature enthusiasts. Another popular platform for Hp 2409p Service Manual books and manuals is Open Library. Open Library is an initiative of the Internet Archive, a non-profit organization dedicated to digitizing cultural artifacts and making them accessible to the public. Open Library hosts millions of books, including both public domain works and contemporary titles. It also allows users to borrow digital copies of certain books for a limited period, similar to a library lending system. Additionally, many universities and educational institutions have their own digital libraries that provide free access to PDF books and manuals. These libraries often offer academic texts, research papers, and technical manuals, making them invaluable resources for students and researchers. Some notable examples include MIT OpenCourseWare, which offers free access to course materials from the Massachusetts Institute of Technology, and the Digital Public Library of America, which provides a vast collection of digitized books and historical documents. In conclusion, Hp 2409p Service Manual books and manuals for download have transformed the way we access

information. They provide a cost-effective and convenient means of acquiring knowledge, offering the ability to access a vast library of resources at our fingertips. With platforms like Project Gutenberg, Open Library, and various digital libraries offered by educational institutions, we have access to an ever-expanding collection of books and manuals. Whether for educational, professional, or personal purposes, these digital resources serve as valuable tools for continuous learning and self-improvement. So why not take advantage of the vast world of Hp 2409p Service Manual books and manuals for download and embark on your journey of knowledge?

### FAQs About Hp 2409p Service Manual Books

**What is a Hp 2409p Service Manual PDF?** A PDF (Portable Document Format) is a file format developed by Adobe that preserves the layout and formatting of a document, regardless of the software, hardware, or operating system used to view or print it. **How do I create a Hp 2409p Service Manual PDF?** There are several ways to create a PDF: Use software like Adobe Acrobat, Microsoft Word, or Google Docs, which often have built-in PDF creation tools. Print to PDF: Many applications and operating systems have a "Print to PDF" option that allows you to save a document as a PDF file instead of printing it on paper. Online converters: There are various online tools that can convert different file types to PDF. **How do I edit a Hp 2409p Service Manual PDF?** Editing a PDF can be done with software like Adobe Acrobat, which allows direct editing of text, images, and other elements within the PDF. Some free tools, like PDFescape or Smallpdf, also offer basic editing capabilities. **How do I convert a Hp 2409p Service Manual PDF to another file format?** There are multiple ways to convert a PDF to another format: Use online converters like Smallpdf, Zamzar, or Adobe Acrobats export feature to convert PDFs to formats like Word, Excel, JPEG, etc. Software like Adobe Acrobat, Microsoft Word, or other PDF editors may have options to export or save PDFs in different formats. **How do I password-protect a Hp 2409p Service Manual PDF?** Most PDF editing software allows you to add password protection. In Adobe Acrobat, for instance, you can go to "File" -> "Properties" -> "Security" to set a password to restrict access or editing capabilities. Are there any free alternatives to Adobe Acrobat for working with PDFs? Yes, there are many free alternatives for working with PDFs, such as: LibreOffice: Offers PDF editing features. PDFsam: Allows splitting, merging, and editing PDFs. Foxit Reader: Provides basic PDF viewing and editing capabilities. How do I compress a PDF file? You can use online tools like Smallpdf, ILovePDF, or desktop software like Adobe Acrobat to compress PDF files without significant quality loss. Compression reduces the file size, making it easier to share and download. Can I fill out forms in a PDF file? Yes, most PDF viewers/editors like Adobe Acrobat, Preview (on Mac), or various online tools allow you to fill out forms in PDF files by selecting text fields and entering information. Are there any restrictions when working with PDFs? Some PDFs might have restrictions set by their creator, such as password protection,

editing restrictions, or print restrictions. Breaking these restrictions might require specific software or tools, which may or may not be legal depending on the circumstances and local laws.

**Find Hp 2409p Service Manual :**

[holt high school handbook 2](#)

**holiday music from toy trains chris**

*holt rinehart and winston algebra 1 lebon presentation transparencies vol 1*

[holocaust a history of the jews of europe during the second world war](#)

[hobbycraft around the world.](#)

*holocaust & genocide cd-rom*

**hoelderlin elegie**

[hogar sano](#)

[hockey guide 19971998](#)

[hollys new year](#)

**holy bible self help edition nltse sc**

**hollywood at home a family album 1950-1963**

[holy bible text edition nlt](#)

**holt school mathematics tests**

**hoaxes and deception library of curious and unusual facts**

**Hp 2409p Service Manual :**

**windows on the world prix interallié 2003 amazon fr** - Oct 01 2023

biographie de l auteur Frédéric Beigbeder est auteur de onze romans dont le célèbre 99 francs windows on the world prix interallié 2003 un roman français prix Renaudot 2009 et l homme qui pleure de rire 2020 réalisateur de l amour dure trois ans 2011 et de l idéal 2016 adaptation par l auteur de son roman au

[windows on the world 2003 20 citations référence citations](#) - Jun 16 2022

citation windows on the world 2003 découvrez une citation windows on the world 2003 un dicton une parole un bon mot un proverbe une citation ou phrase windows on the world 2003 issus de livres discours ou entretiens une sélection de 20 citations et proverbes sur le thème windows on the world 2003 20 citations je m accuse de racisme antimoches



**windows on the world prix interallia c 2003 full pdf wrbb neu** - May 28 2023

you could buy guide windows on the world prix interallia c 2003 or acquire it as soon as feasible you could quickly download this windows on the world prix interallia c 2003 after getting deal

**windows on the world prix interallia c 2003 uniport edu** - Nov 21 2022

sep 17 2023 if you wish to download and install the windows on the world prix interallia c 2003 it is definitely easy then previously currently we extend the associate to purchase and create bargains to download and install windows on the world prix interallia c 2003 appropriately simple

*windows on the world prix interallié 2003 by Frédéric Beigbeder* - May 16 2022

sep 12 2023 windows on the world prix interallié 2003 by Frédéric Beigbeder author iet donnu edu ua 2023 09 12 18 19 37 subject windows on the world prix interallié 2003 by Frédéric Beigbeder keywords windows on the world prix interallié 2003 by Frédéric Beigbeder created date 9 12 2023

**windows on the world prix interallia c 2003 download only** - Dec 23 2022

right here we have countless ebook windows on the world prix interallia c 2003 and collections to check out we additionally meet the expense of variant types and furthermore type of the books to browse

windows on the world prix interallia c 2003 copy uniport edu - Apr 14 2022

aug 24 2023 windows on the world prix interallia c 2003 1 6 downloaded from uniport edu ng on august 24 2023 by guest windows on the world prix interallia c 2003 getting the books windows on the world prix interallia c 2003 now is not type of challenging means you could not deserted going in imitation of books gathering or library or borrowing

windows on the world prix interallia c 2003 robert borofsky - Mar 26 2023

windows on the world prix interallia c 2003 but end up in infectious downloads rather than enjoying a good book with a cup of coffee in the afternoon instead they are facing with some infectious bugs inside their computer windows on the world prix interallia c 2003 is available in our digital library an online access to it

**windows on the world prix interallia c 2003 full pdf** - Jul 30 2023

windows on the world new york magazine evil in contemporary french and francophone literature new york magazine windows on the world 9 11 in european literature windows on the world windows on the world new york magazine new york magazine new york magazine art of devin elle kurtz the most spectacular restaurant in the world a window on the *windows on the world prix interallia c 2003 copy ftp vape* - Feb 22 2023

window on the world fantagraphics books malina has written an exceptionally clear accessible and student friendly introduction to the cultural world of jesus and his

**windows on the world complete wine course 2003 edition a** - Oct 21 2022

aug 1 2002 kevin zraly s incomparable course one of the best start from scratch wine books ever written wrote frank prial in the new york times is still america s top selling guide to wine in his inimitable irreverent style zraly answers all your questions offers the most up to date recommendations takes you on a country by country region by region ratings tour of the

**windows on the world prix interallia c 2003 uniport edu** - Aug 19 2022

windows on the world prix interallia c 2003 1 6 downloaded from uniport edu ng on june 21 2023 by guest windows on the world prix interallia c 2003 as recognized adventure as capably as experience nearly lesson amusement as capably as conformity can be gotten by just checking out a ebook windows on the

**windows on the world prix interallia c 2003 beta atanet** - Aug 31 2023

linux in a windows world skira berenice windows on the world debuted at 2 on the french national best seller list and won the prestigious prix interalli prize in 2003

**windows on the world prix interallia c 2003 pdf** - Apr 26 2023

windows on the world prix interallia c 2003 downloaded from opendoors cityandguilds com by guest avila dudley new york magazine hay house inc new york magazine was born in 1968 after a run as an insert of the new york herald tribune and quickly made a place for itself

*windows on the world prix interallia c 2003 mappe fieramilano* - Jul 18 2022

in short kevin zraly windows on the world complete wine course provides all the tools you need to discover and enjoy the perfect wines for you this revised edition includes new

*windows on the world prix interallié 2003 by Frédéric Beigbeder* - Feb 10 2022

windows on the world prix interallié 2003 by Frédéric Beigbeder author iet donnu edu ua 2023 08 13 13 12 56 subject

windows on the world prix interallié 2003 by Frédéric Beigbeder keywords windows on the world prix interallié 2003 by Frédéric Beigbeder created date 8 13 2023 1 12 56 pm

*windows on the world prix interallia c 2003 pdf wrbb neu* - Jun 28 2023

we present you this proper as with ease as simple pretension to get those all we have the funds for windows on the world prix interallia c 2003 and numerous book collections from fictions to scientific research in any way accompanied by them is this windows on the world prix interallia c 2003 that can be your partner windows on the world

*windows on the world prix interallia c 2003 pdf uniport edu* - Mar 14 2022

apr 12 2023 line proclamation windows on the world prix interallia c 2003 as with ease as review them wherever you are now scientific american 1897 monthly magazine devoted to topics of general

windows on the world prix interallia c 2003 2022 avafaveni - Sep 19 2022

windows on the world prix interallia c 2003 3 3 creating a tapestry of fury and wonder a tribute to thousands of unsung

heroes windows on the world intervarsity press new york magazine was born in 1968 after a run as an insert of the new york herald tribune and quickly made a place for itself

**windows on the world prix interallia c 2003 pqr uiaf gov co** - Jan 24 2023

windows on the world prix interallia c 2003 right here we have countless books windows on the world prix interallia c 2003 and collections to check out we additionally offer variant types and as a consequence type of the books to browse the agreeable book fiction history novel scientific research as without

**qsit audit new fda inspection approach for drug company** - Oct 04 2022

web jun 5 2017 a great technique to follow is qsit or quality system inspection techniques why is this a good technique because fda will use a qsit style approach during your

*fda qsit preparing your medical device company for* - May 11 2023

web apr 10 2023 inspection references this page includes information provided to fda investigators and inspectors to assist them in their daily activities it also includes links to

**excel document checklist u s food and drug administration** - Dec 26 2021

**fda qsit set your medical device company for an inspection** - Nov 24 2021

*qsit audit new fda inspection approach for* - Nov 05 2022

web site fda inspection preparation checklist instructions use page one of this document to record information provided by the fda at the time of initial contact the

**quality systems fda u s food and drug** - Aug 14 2023

web guide to inspections of quality systems 4 foreword this document provides guidance to the fda field staff on a new inspectional process that may be used to assess a medical

**iso 13485 and fda qsr a step by step guide to complying** - Aug 02 2022

web jul 4 2022 contacts researchandmarkets com laura wood senior press manager press researchandmarkets com for e s t office hours call 1 917 300 0470 for

**qsit checklist pdf verification and validation scribd** - Sep 03 2022

web qsit quality system inspection technique is the name of the document that provides guidance to the fda field staff on the inspection process used to assess medical device

**fda inspections an fdanews** - Feb 25 2022

web are you ready for an fda qsit inspection with you re a device manufacturer this could happen at any time without notice

here s what your should know

*how to use the fda s quality systems inspection technique* - Mar 29 2022

web jul 18 2023 receive einstieg to hundreds of free resources as well as subscription based online and certifications fda

qsit quality system inspection technique serves save

*site fda inspection preparation checklist* - Jul 01 2022

web worth of consumer goods who conducts inspections for fda part of the office of regulatory affairs more than 4 400 ora

personnel in more than 200 locations work

**the value of studying and utilizing fda s qsit manual** - Jan 27 2022

web learn treasured career boosting skills for the medical device industry get access to hundreds of free sources as well as

subscription based courses and registrations read

**fda medical device inspections u s food and drug** - Jun 12 2023

web feb 17 2019 the guide to inspections is the set of protocols used by fda to conduct an inspection qsr quality system

regulations the primary regulatory requirement being

**how to prepare for an fda inspection plus 5 tips** - May 31 2022

web objective 1 the harmonization of quality system requirements with iso 9001 as a building block of all future work in

harmonizing quality system requirements recognized around

*fda qsit preparing your medical device company for an* - Oct 24 2021

what to expect during an fda qsit inspection quality - Mar 09 2023

web jun 30 2022 quality systems electromagnetic compatibility aspects of medical device quality systems bioresearch

monitoring inspections of in vitro diagnostics devices

**guide to inspections of quality systems u s food** - Jul 13 2023

web overview of qsit inspection keys for reducing 483 observations post inspection correspondence purpose of the inspection

to assess compliance with cfr title 21

*quality system inspection technique imdrf* - Jan 07 2023

web the following table identifies the elements fda investigators will assess during their qsit inspection regulated medical

device firms are encouraged to integrate this inspection

**fda qsit preparing your medical device company for an** - Sep 22 2021

**fda qsit mastercontrol** - Apr 29 2022

web excel document checklist excel 2010 document checklist id 1 0 general layout and formatting requirement pass fail 1 1 are no merged cells contained in the data area of

[inspection guides fda u s food and drug administration](#) - Dec 06 2022

web jan 4 2016 and here is one more freebie for you i ve developed a qms audit checklist that combines requirements from fda 21 cfr part 820 and iso 13485 it s free all you

**inspection references fda u s food and drug administration** - Feb 08 2023

web scope this audit checklist is intended for use in simulating the new process being used by the united states food and drug administration fda for inspection of drug firms the

**fda qsit audit manual oriel stat a matrix** - Apr 10 2023

web what is qsit qsit is an optional fda inspection process quality system oriented top down versus bottom up pre inspection activities sampling focus on management qsit pilot

**lymphedema complete medical and surgical management** - Apr 08 2023

web lymphedema complete medical and surgical management authors peter c neligan juame masia masia juame and piller neil b lymphedema complete medical

*treating lymphedema johns hopkins medicine* - Sep 01 2022

web the doctor will complete a medical history and physical examination the medical history may include questions regarding the following past surgeries surgical treatment of

*lymphedema complete medical and surgical management alibris* - Apr 27 2022

web buy lymphedema complete medical and surgical management by peter c neligan editor jaume masia editor neil piller editor online at alibris we have new and

**surgical management of lymphedema pmc national center** - Mar 07 2023

web surgical management surgical management of lymphedema can be separated into physiologic procedures which attempt to re establish normal lymphatic physiology by

**lymphedema complete medical and surgical management** - Sep 13 2023

web lymphedema complete medical and surgical management edited by neligan masia and piller lives up to its title of completeness in an era where the value of publishing hardcopy textbooks is questionable the editors clearly worked closely with crc press to

[lymphedema complete medical and surgical management](#) - Jul 11 2023

web teslimat konumu izmir 35220 konumunuzu güncellemek için giriş yapın kitaplar arama yapmak istediğiniz kategoriye seçin

[lymphedema complete medi yumpu](#) - Dec 24 2021

web jul 17 2020 lymphedema complete medical and surgical management book detail hardcover 654 pages publisher crc press 1 edition august 26 2015

**lymphedema surgical and medical therapy pubmed** - Dec 04 2022

web background management of lymphedema has historically focused on conservative measures including physical therapy and compression garments more recently

**lymphedema complete medical and surgical management** - Jan 05 2023

web lymphedema complete surgical and medical management is one of the first books to cover the state of the field encompassing both surgical and nonsurgical treatments it is

*lymphedema complete medical and surgical management* - May 09 2023

web aug 7 2015 lymphedema complete surgical and medical management is one of the first books to cover the state of the field encompassing both surgical and nonsurgical

[lymphedema lymphedema treatment american hospital dubai](#) - Nov 22 2021

web lymphedema is a condition in which the body s soft tissues swell up due to the accumulation of lymph fluid in the tissues lymph is a clear watery fluid that contains

*lymphedema complete medical and surgical management* - Aug 12 2023

web aug 7 2015 lymphedema complete surgical and medical management is one of the first books to cover the state of the field encompassing both surgical and nonsurgical

**lymphedema complete medical and surg medone thieme** - Jun 10 2023

web medical management maintenance of limb hygiene prevention and treatment of entry lesions elevation of the limb exercise and

[surgical management of lymphedema pubmed](#) - Mar 27 2022

web pmid 32308240 pmcid pmc7144713 lymphedema is a chronic debilitating disease in which impaired drainage of lymphatic fluid causes accumulation of fluid in the soft tissues

*lymphedema diagnosis and treatment mayo clinic* - Jan 25 2022

web nov 24 2022 surgical treatment for lymphedema may include lymph node transplant lymph nodes are taken from a different area of the body and then attached to the

**current concepts in the diagnosis and management of** - Jul 31 2022

web a complete medical history should be obtained that addresses the onset of symptoms associated symptoms medications medical history history of cancer radiotherapy

[pdf lymphedema by peter c neligan ebook perlego](#) - Feb 23 2022

web lymphedema complete surgical and medical management is one of the first books to cover the state of the field encompassing both surgical and nonsurgical treatments it is

[lymphedema complete medical and surgical management](#) - Nov 03 2022

web lymphedema complete surgical and medical management is one of the first books to cover the state of the field encompassing both surgical and nonsurgical treatments it is

[lymphedema complete medical and surgical management](#) - Oct 22 2021

web read reviews from the world s largest community for readers lymphedema complete surgical and medical management is one of the first books to cover the st

*lymphedema complete medical and surgical management* - Feb 06 2023

web aug 7 2015 lymphedema complete surgical and medical management is one of the first books to cover the state of the field encompassing both surgical and nonsurgical

*surgical management of lymphedema a review of current literature* - Jun 29 2022

web mar 14 2020 in the past several decades surgical treatments for lymphedema have advanced alongside developments in microsurgery lymphovenous anastomosis lva

*lymphedema complete medical and surgical management* - May 29 2022

web complete surgical and medical management is one of the first books to cover the state of the lymphedema complete medical and surgical management by peter neligan

**surgical management of lymphedema a review of current literature** - Oct 02 2022

web mar 14 2020 surgical management of lymphedema has evolved in the past several decades alongside advances in microsurgical techniques the combination of