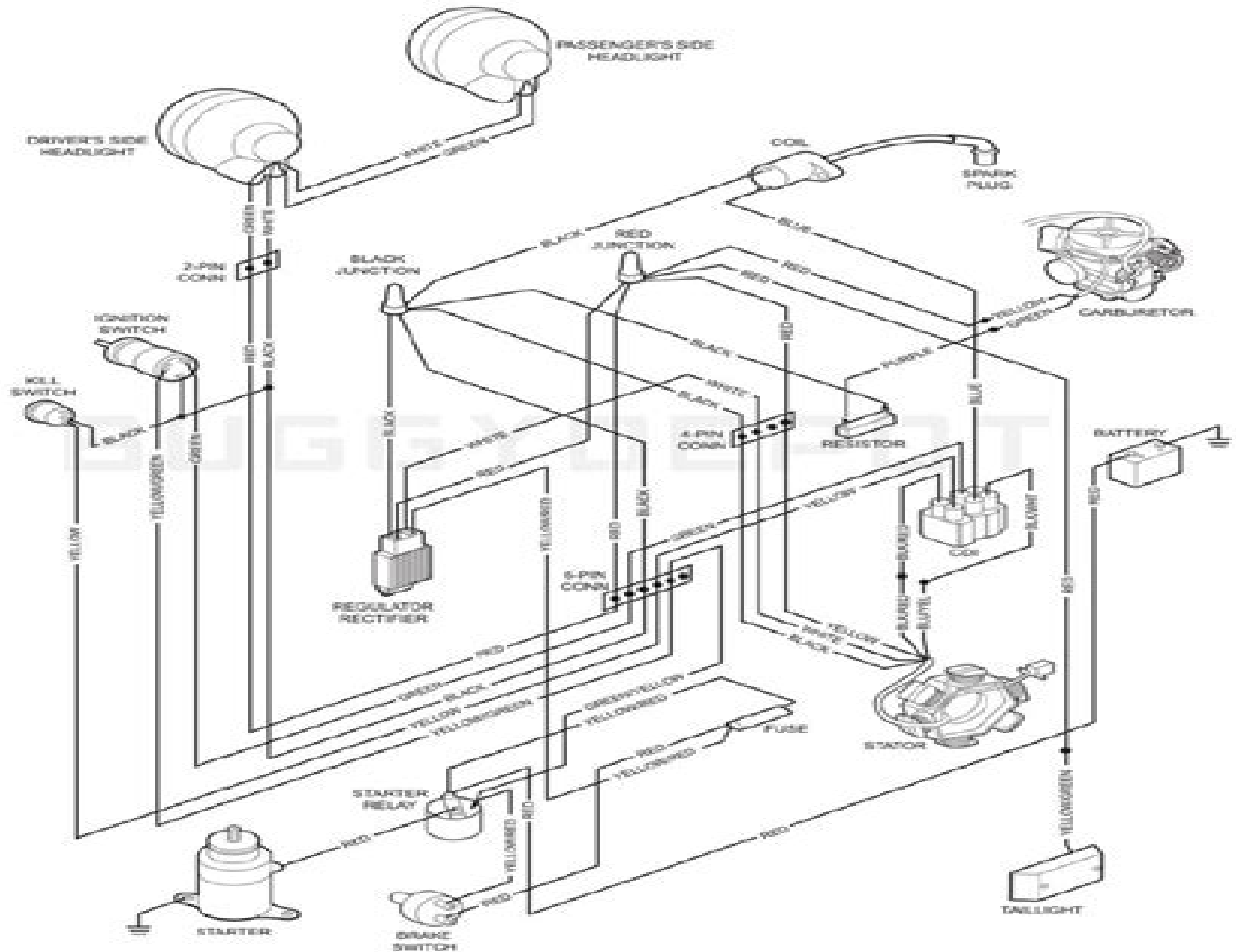


27. ELECTRICAL SCHEMATIC



Howhit 150cc Engine Wiring Manual

John R. Lypen



Howhit 150cc Engine Wiring Manual:

Reviewing **Howhit 150cc Engine Wiring Manual**: Unlocking the Spellbinding Force of Linguistics

In a fast-paced world fueled by information and interconnectivity, the spellbinding force of linguistics has acquired newfound prominence. Its capacity to evoke emotions, stimulate contemplation, and stimulate metamorphosis is really astonishing. Within the pages of "**Howhit 150cc Engine Wiring Manual**," an enthralling opus penned by a very acclaimed wordsmith, readers embark on an immersive expedition to unravel the intricate significance of language and its indelible imprint on our lives. Throughout this assessment, we shall delve into the book's central motifs, appraise its distinctive narrative style, and gauge its overarching influence on the minds of its readers.

<https://staging.conocer.cide.edu/files/book-search/Documents/joint%20exam%20ss2%202015.pdf>

Table of Contents Howhit 150cc Engine Wiring Manual

1. Understanding the eBook Howhit 150cc Engine Wiring Manual
 - The Rise of Digital Reading Howhit 150cc Engine Wiring Manual
 - Advantages of eBooks Over Traditional Books
2. Identifying Howhit 150cc Engine Wiring Manual
 - Exploring Different Genres
 - Considering Fiction vs. Non-Fiction
 - Determining Your Reading Goals
3. Choosing the Right eBook Platform
 - Popular eBook Platforms
 - Features to Look for in an Howhit 150cc Engine Wiring Manual
 - User-Friendly Interface
4. Exploring eBook Recommendations from Howhit 150cc Engine Wiring Manual
 - Personalized Recommendations
 - Howhit 150cc Engine Wiring Manual User Reviews and Ratings
 - Howhit 150cc Engine Wiring Manual and Bestseller Lists

5. Accessing Howhit 150cc Engine Wiring Manual Free and Paid eBooks
 - Howhit 150cc Engine Wiring Manual Public Domain eBooks
 - Howhit 150cc Engine Wiring Manual eBook Subscription Services
 - Howhit 150cc Engine Wiring Manual Budget-Friendly Options
6. Navigating Howhit 150cc Engine Wiring Manual eBook Formats
 - ePub, PDF, MOBI, and More
 - Howhit 150cc Engine Wiring Manual Compatibility with Devices
 - Howhit 150cc Engine Wiring Manual Enhanced eBook Features
7. Enhancing Your Reading Experience
 - Adjustable Fonts and Text Sizes of Howhit 150cc Engine Wiring Manual
 - Highlighting and Note-Taking Howhit 150cc Engine Wiring Manual
 - Interactive Elements Howhit 150cc Engine Wiring Manual
8. Staying Engaged with Howhit 150cc Engine Wiring Manual
 - Joining Online Reading Communities
 - Participating in Virtual Book Clubs
 - Following Authors and Publishers Howhit 150cc Engine Wiring Manual
9. Balancing eBooks and Physical Books Howhit 150cc Engine Wiring Manual
 - Benefits of a Digital Library
 - Creating a Diverse Reading Collection Howhit 150cc Engine Wiring Manual
10. Overcoming Reading Challenges
 - Dealing with Digital Eye Strain
 - Minimizing Distractions
 - Managing Screen Time
11. Cultivating a Reading Routine Howhit 150cc Engine Wiring Manual
 - Setting Reading Goals Howhit 150cc Engine Wiring Manual
 - Carving Out Dedicated Reading Time
12. Sourcing Reliable Information of Howhit 150cc Engine Wiring Manual
 - Fact-Checking eBook Content of Howhit 150cc Engine Wiring Manual
 - Distinguishing Credible Sources
13. Promoting Lifelong Learning

- Utilizing eBooks for Skill Development
 - Exploring Educational eBooks
14. Embracing eBook Trends
- Integration of Multimedia Elements
 - Interactive and Gamified eBooks

Howhit 150cc Engine Wiring Manual Introduction

In the digital age, access to information has become easier than ever before. The ability to download Howhit 150cc Engine Wiring Manual has revolutionized the way we consume written content. Whether you are a student looking for course material, an avid reader searching for your next favorite book, or a professional seeking research papers, the option to download Howhit 150cc Engine Wiring Manual has opened up a world of possibilities. Downloading Howhit 150cc Engine Wiring Manual provides numerous advantages over physical copies of books and documents. Firstly, it is incredibly convenient. Gone are the days of carrying around heavy textbooks or bulky folders filled with papers. With the click of a button, you can gain immediate access to valuable resources on any device. This convenience allows for efficient studying, researching, and reading on the go. Moreover, the cost-effective nature of downloading Howhit 150cc Engine Wiring Manual has democratized knowledge. Traditional books and academic journals can be expensive, making it difficult for individuals with limited financial resources to access information. By offering free PDF downloads, publishers and authors are enabling a wider audience to benefit from their work. This inclusivity promotes equal opportunities for learning and personal growth. There are numerous websites and platforms where individuals can download Howhit 150cc Engine Wiring Manual. These websites range from academic databases offering research papers and journals to online libraries with an expansive collection of books from various genres. Many authors and publishers also upload their work to specific websites, granting readers access to their content without any charge. These platforms not only provide access to existing literature but also serve as an excellent platform for undiscovered authors to share their work with the world. However, it is essential to be cautious while downloading Howhit 150cc Engine Wiring Manual. Some websites may offer pirated or illegally obtained copies of copyrighted material. Engaging in such activities not only violates copyright laws but also undermines the efforts of authors, publishers, and researchers. To ensure ethical downloading, it is advisable to utilize reputable websites that prioritize the legal distribution of content. When downloading Howhit 150cc Engine Wiring Manual, users should also consider the potential security risks associated with online platforms. Malicious actors may exploit vulnerabilities in unprotected websites to distribute malware or steal personal information. To protect themselves, individuals should ensure their devices have reliable antivirus software installed and validate the legitimacy of the websites they are downloading from.

In conclusion, the ability to download Howhit 150cc Engine Wiring Manual has transformed the way we access information. With the convenience, cost-effectiveness, and accessibility it offers, free PDF downloads have become a popular choice for students, researchers, and book lovers worldwide. However, it is crucial to engage in ethical downloading practices and prioritize personal security when utilizing online platforms. By doing so, individuals can make the most of the vast array of free PDF resources available and embark on a journey of continuous learning and intellectual growth.

FAQs About Howhit 150cc Engine Wiring Manual Books

What is a Howhit 150cc Engine Wiring Manual PDF? A PDF (Portable Document Format) is a file format developed by Adobe that preserves the layout and formatting of a document, regardless of the software, hardware, or operating system used to view or print it. **How do I create a Howhit 150cc Engine Wiring Manual PDF?** There are several ways to create a PDF: Use software like Adobe Acrobat, Microsoft Word, or Google Docs, which often have built-in PDF creation tools. Print to PDF: Many applications and operating systems have a "Print to PDF" option that allows you to save a document as a PDF file instead of printing it on paper. Online converters: There are various online tools that can convert different file types to PDF. **How do I edit a Howhit 150cc Engine Wiring Manual PDF?** Editing a PDF can be done with software like Adobe Acrobat, which allows direct editing of text, images, and other elements within the PDF. Some free tools, like PDFescape or Smallpdf, also offer basic editing capabilities. **How do I convert a Howhit 150cc Engine Wiring Manual PDF to another file format?** There are multiple ways to convert a PDF to another format: Use online converters like Smallpdf, Zamzar, or Adobe Acrobat's export feature to convert PDFs to formats like Word, Excel, JPEG, etc. Software like Adobe Acrobat, Microsoft Word, or other PDF editors may have options to export or save PDFs in different formats. **How do I password-protect a Howhit 150cc Engine Wiring Manual PDF?** Most PDF editing software allows you to add password protection. In Adobe Acrobat, for instance, you can go to "File" -> "Properties" -> "Security" to set a password to restrict access or editing capabilities. Are there any free alternatives to Adobe Acrobat for working with PDFs? Yes, there are many free alternatives for working with PDFs, such as: LibreOffice: Offers PDF editing features. PDFsam: Allows splitting, merging, and editing PDFs. Foxit Reader: Provides basic PDF viewing and editing capabilities. How do I compress a PDF file? You can use online tools like Smallpdf, ILovePDF, or desktop software like Adobe Acrobat to compress PDF files without significant quality loss. Compression reduces the file size, making it easier to share and download. Can I fill out forms in a PDF file? Yes, most PDF viewers/editors like Adobe Acrobat, Preview (on Mac), or various online tools allow you to fill out forms in PDF files by selecting text fields and entering information. Are there any restrictions when working with PDFs? Some PDFs might have restrictions set by their creator, such as password protection, editing restrictions, or print restrictions. Breaking these

restrictions might require specific software or tools, which may or may not be legal depending on the circumstances and local laws.

Find Howhit 150cc Engine Wiring Manual :

joint exam ss2 2015

[jonah and the whale bible story powerpoint](#)

[joshua s touch](#)

jones shipman 540 manual

johnson 225 outboard motor manual

[johnson outboard 115 repair manual](#)

johnson td 20 repair manual

~~johnson and bartlett review guides~~

joshua then and now mordecai richler

[johnson utombordare service manual](#)

joint mock 4 ssand ss2 time table

johnson 28 hp spl manual

[johnston sweeper manual](#)

[joseph p day the great salesman](#)

~~journal intime dune duchesse tome dahlia~~

Howhit 150cc Engine Wiring Manual :

developing skills for hkdse paper 3 listening integrated skills - Feb 09 2023

web 000000 0000 000000 subtitle developing skills for hkdse paper3 book 4 set a publish year 2018 author s c nancarrow isbn 9789888360581 0000 17 sale hk 132 6

developing skills set a paper 3 pdf uniport edu - Jul 14 2023

web developing skills set a paper 3 thank you definitely much for downloading developing skills set a paper 3 most likely you have knowledge that people have look numerous times for their favorite books later than this developing skills set a

developing skills set a paper 3 copy uniport edu - Apr 30 2022

web may 20 2023 developing skills set a paper 3 1 8 downloaded from uniport edu ng on may 20 2023 by guest developing

skills set a paper 3 this is likewise one of the factors by obtaining the soft documents of this developing skills set a paper 3 by online you might not require more epoch to spend to go to the books start as capably as search for

developing academicskills edinburgh napier university - Dec 07 2022

web scientificreportwriting criticalessaywriting oralpresentations whetheryouareanundergraduatewritingpracticalreportsora postgraduatepreparingthesesandpapers youwillbe

developing skills set a paper 3 192 81 132 106 - Jul 02 2022

web online library developing skills set a paper 3 1 2 developing study skills writing for success mar 21 2011 □ learning to cut is a long process sometimes small child sized self opening scissors can help begin with single snips on stiff paper and gradually progress to cutting lines etc self help

pdf skill building process and strategies for development - Sep 04 2022

web nov 18 2019 pdf on nov 18 2019 kalyani anumala published skill building process and strategies for development find read and cite all the research you need on researchgate chapter pdf available

position paper on skills development for youth and women - Mar 30 2022

web in our approach to tackle youth employment especially to support to the implementation of a comprehensive continental rural futures programme and provide evidence based recommendations to national governments to enhance job creation and harness skills development opportunities in africa particularly in the rural space the nepad agency

developing skills for hkdse aristo - Jun 13 2023

web developing skills for hkdse papers 1 2 reading writing 2017 edition book 4 set b suggested work schemes introduction suggested work scheme unit 1 suggested work scheme unit 2 suggested work scheme unit 3 suggested work scheme unit 4 suggested work scheme unit 5 suggested work scheme unit 6 suggested work scheme

b 1 d t d 7 sınıf s orular din kültürü ve ahlak bilgisi - Nov 06 2022

web 3 hanbelîl k 5 kad r l k 4 Ş a 6 yesev l k buna göre öğrenciler kartları hangi kutulara attığında etkinliği doğru

tamamlamış olur İnançla ilgili yorumlar fikhî yorumlar tasavvufî yorumlar a 1 4 2 3 5 6 b 1 3 2 4 5 6 c 1 4 2 5 3 6 d 2 3 1 4 5 6 8

developing skills set a paper 3 pdf avenza dev avenza - Jan 28 2022

web developing skills set a paper 3 as one of the most on the go sellers here will utterly be in the course of the best options to review history for the ib diploma paper 3 the cold war and the americas 1945 1981 john stanley 2016 07 21 comprehensive books to support study of history for the ib diploma paper 3 revised for first assessment

aristo developing skills book 5 set b paper 3 answer pdf 171 - Jun 01 2022

web may 21 2023 the aristo developing skills book 5 set b paper 3 exam is a paper based test that evaluates your english

proficiency in four areas reading writing listening and language use the exam consists of multiple choice questions short answer questions essay questions and audio clips

read online developing skills set a paper 3 free download pdf - Apr 11 2023

web apr 12 2023 read online developing skills set a paper 3 free download pdf yeah reviewing a book developing skills set a paper 3 could accumulate your close friends listings this is just one of the solutions for you to be successful as understood carrying out does not suggest that you have astonishing points

developing skills set a paper 3 ftp bonide - Jan 08 2023

web developing skills set a paper 3 transforming the workforce for children birth through age 8 workforce skills development and engagement in training through skill sets

developing skills set a paper 3 uniport edu - Dec 27 2021

web apr 5 2023 developing skills set a paper 3 1 8 downloaded from uniport edu ng on april 5 2023 by guest developing skills set a paper 3 right here we have countless ebook developing skills set a paper 3 and collections to check out we additionally offer variant types and moreover type of the books to browse the gratifying book fiction history novel

aristo developing skills book 5 set b paper 3 answerpdf17 - Feb 26 2022

web apr 25 2023 aristo developing skills book 5 set b paper 3 answerpdf17 is a pdf file that contains the answers to the questions in the paper 3 of the developing skills for hkdse series by aristo educational press ltd

aristo educational press ltd ██████████ - May 12 2023

web developing skills active listening for junior secondary learners set a 3 including data file and activation code for online listening resources inside 2012 ed k s yuen hk 197 50

developing skills for hkdse book 5 set a paper 3 - Aug 15 2023

web teacher account sign in

developing skills set a paper 3 patrick blessing copy - Aug 03 2022

web developing skills set a paper 3 if you ally craving such a referred developing skills set a paper 3 book that will pay for you worth get the very best seller from us currently from several preferred authors

developing skills set a paper 3 download only dotnbm - Mar 10 2023

web methods to improve skills your skills your kids skills your organization s skills in sports music art math and business the product of five years of reporting from the world s greatest talent hotbeds and interviews with successful master coaches it distills the daunting complexity of skill

read free developing skills set a paper 3 read pdf free - Oct 05 2022

web jan 13 2023 read free developing skills set a paper 3 read pdf free mh set paper 1 guide for assistant professor with

past questions 365 things to do with paper and cardboard nine folds make a paper swan oswaal karnataka pue sample question papers ii puc class 12 set of 4 books

master kemppi - Mar 21 2022

web dec 22 2015 re kemppi master 2200 tig puikko kysymyksiä kyllähän ne master

kemppi master mastertig 1400 1500 2200 2800 3500 - Jun 04 2023

web products and services equipment manual welding tig compact mastertig the new *tig welder rentals kemppi mastertig 2200 red d arc uk* - Dec 30 2022

web operation instructions 1913610e gebrauchsanweisung gebruiksaanwijzing manuel

kemppi welding equipment and software - Apr 02 2023

web kemppi mastertig 2200 service manual service manual ver 1 0 1400 1500 2200 2800

kemppi mastertig 2800 manuals manualslib - May 23 2022

web master 2200 on vaativaan ammattikäyttöön suunniteltu puikkohitsauksen tasavirtalähde *master kemppi* - Jan 19 2022

mastertig1500 2200 om en pdf scribd - Aug 26 2022

web master 2200 är en mma likströmkälla för krävande professionellt bruk master

[kemppi mastertig 2200 service manual manualzz](#) - Nov 28 2022

web kemppi reserves the right to change the specification of the product described at any [tig welder for ac and dc welding kemppi](#) - Jul 05 2023

web welltec high quality welding for well completion solutions with kemppi learn more

[master resources userdoc kemppi com](#) - May 03 2023

web tig welders for hire the kemppi master tig 2200 is a lightweight and portable tig *mastertig kemppi* - Feb 17 2022

mastertig for ac and dc tig welding kemppi - Sep 07 2023

web mastertig the master of ac and dc tig welding mastertig sets new standards for

[mastertig kemppi](#) - Jul 25 2022

web master 2200 er dc strømkilder til elektrodesvejsning som er fremstillet til krævende

kemppi master 2200 dc tig welding package westermans com - Sep 26 2022

web manuals and user guides for kemppi mastertig 2800 we have 1 kemppi mastertig

kemppi master 2200 operation instructions manual - Aug 06 2023

web product introduction master is a mma dc welding power source which is

mastertig kemppi - Jan 31 2023

web for sale used kemppi master 2200 dc tig welding package available today

kemppi mastertig 2200 manuals manualslib - Oct 08 2023

web kemppi mastertig 2200 manuals manuals and user guides for kemppi mastertig

kemppi mastertig mls 2500 and 3500 westermans - Dec 18 2021

kemppi master 2200 tig puikko kysymyksiä masinistit - Nov 16 2021

mastertig mls 2300 acdc kemppi - Jun 23 2022

web mastertig er den nye mester inden for ac og dc tig svejsning og sætter nye standarder

master kemppi - Apr 21 2022

web the mastertig mlstm series builds on the success of master mlstm mma welding

kemppi mastertig 2200 manuals user guides - Oct 28 2022

web 1 preface 1 1 general congratulations on your choice of the kemppi mastertig mls

tig kemppi - Mar 01 2023

web kemppi mastertig 2200 manuals user guides user manuals guides and

shyamchi aai a touching story of a mother s love and strength - Oct 28 2022

web jul 17 2023 shyamchi aai is a book written by sane guruji published in 1955 it is an autobiographical novel in marathi that tells a heartwarming story about a mother and her child

shyamchi aai 1953 imdb - Jun 23 2022

web shyamchi aai directed by pralhad keshav atre with saraswati bodas sumati gupte damuanna joshi baburao pendharkar about the relationship between shyam and his mother who teaches him how to stick to his ideals and beliefs in

shyamchi aai mara apps on google play - Mar 21 2022

web jan 29 2020 shyamchi aai is an autobiography of sane guruji belonging to a brahmin family in konkan region of rural maharashtra during british raj sane guruji now an adult fondly called shyam during

shyamchi aai mara apps on google play - Nov 28 2022

web shyamchi aai mara apps on google play - Mar 21 2022

[shyamchi aai marathi kadambari](#) - Feb 17 2022

web [shyamchi aai audiobook sane guruji storytel](#) - Jan 31 2023

web nov 10 2017 [shyamchi aai audiobook sane guruji storytel](#) - Jan 31 2023

book to movie adaptations family home

[sane guruji shyamchi aai story](#) - Sep 07 2023

web [sane guruji shyamchi aai story marathi stories with moral sanskar katha shyamchiaai balsanskar marathistory moralstories](#)

[shyamchi aai gokhale shanta google books](#) - May 03 2023

web narrated over the course of forty two nights shyamchi aai is a poignant story of shyam and aai a mother with an unbreakable spirit this evergreen classic now translated by the

[shyamchi aai wikipedia](#) - Oct 08 2023

web story shyamchi aai is an autobiography of sane guruji belonging to a brahmin family in konkan region of rural maharashtra during british raj sane guruji now an adult fondly called shyam during his childhood is narrating his memories to

[shyamchi aai sane guruji google books](#) - Jul 05 2023

web shyamchi aai is an autobiography of sane guruji sane guruji fondly called shyam during his childhood is narrating his memories to a group of children in a nightly sitting chapters in the book

[review of shyamchi aai by sane guruji trs shanta gokhale](#) - Jun 04 2023

web mar 13 2021 shyamchi aai has been a marathi classic for the last 86 years as famous as its author maharashtra s beloved freedom fighter and social reformer sane guruji most marathi speaking children must

[shyamchi aai wikiwand](#) - Mar 01 2023

web shyamchi aai is an autobiography of social activist pandurang sadashiv sane its regarded as one of the greatest tributes to mother s love in marathi literature

[shyamchi aai champaca bookstore library and cafe](#) - May 23 2022

web stories from east and southeast asia stories from south asia books about books health mental health well being folklore mythology shyamchi aai is a poignant story of shyam and aai a mother with an unbreakable spirit this evergreen classic now translated by the incomparable shanta gokhale is an account of a life of poverty hard

[shyamchi aai by sane guruji goodreads](#) - Aug 06 2023

web narrated over the course of forty two nights shyamchi aai is a poignant story of shyam and aai a mother with an unbreakable spirit this evergreen classic now translated by the incomparable shanta gokhale is an account of a life of poverty hard work sacrifice and love genres marathi fiction classics short stories self help

[shyamchi aai film wikipedia](#) - Apr 21 2022

web shyamchi aai lit shyam s mother is a 1953 marathi film directed by p k atre it is based on the book shyamchi aai written by sane guruji in marathi the film was acclaimed upon release it stars damuanna joshi vanamala and madhav vaze shyamchi aai won the golden lotus award for best film at the national film awards in 1954

📖📖📖📖📖 1 📖📖📖📖 shyamchi aai part 1 sane guruji stories - Aug 26 2022

web this video tells the stories of shyamchi aai kundalini jagran by shri mataji nirmaladevi video the power of kundalini shakti the power of shri our most popular videos shyamchi aai part

shyamchi aie book review speaking to the heart the new - Dec 30 2022

web mar 14 2021 shyamchi aie is to the reader of marathi literature what the alchemist is to an entire universe of readers thanks to its various translated versions published 14th march 2021 05 00 am last

shyamchi aai eureka bookstore - Sep 26 2022

web narrated over the course of forty two nights shyamchi aai is a poignant story of shyam and aai a mother with an unbreakable spirit this evergreen classic now translated by the incomparable shanta gokhale is an account of a life of [shyamchi aai by sane guruji books on google play](#) - Apr 02 2023

web shyamchi aai is an autobiography of sane guruji sane guruji fondly called shyam during his childhood is narrating his memories to a group of children in a nightly sitting chapters in the

shyamchi aai english kindle edition amazon in - Jul 25 2022

web kindle edition 100 00 read with our free app shyamchi aai translation of a marathi classic shyamchi aai is a true life story of a mother and her child it is a story of the transformation of a child from being just a biological entity to a very