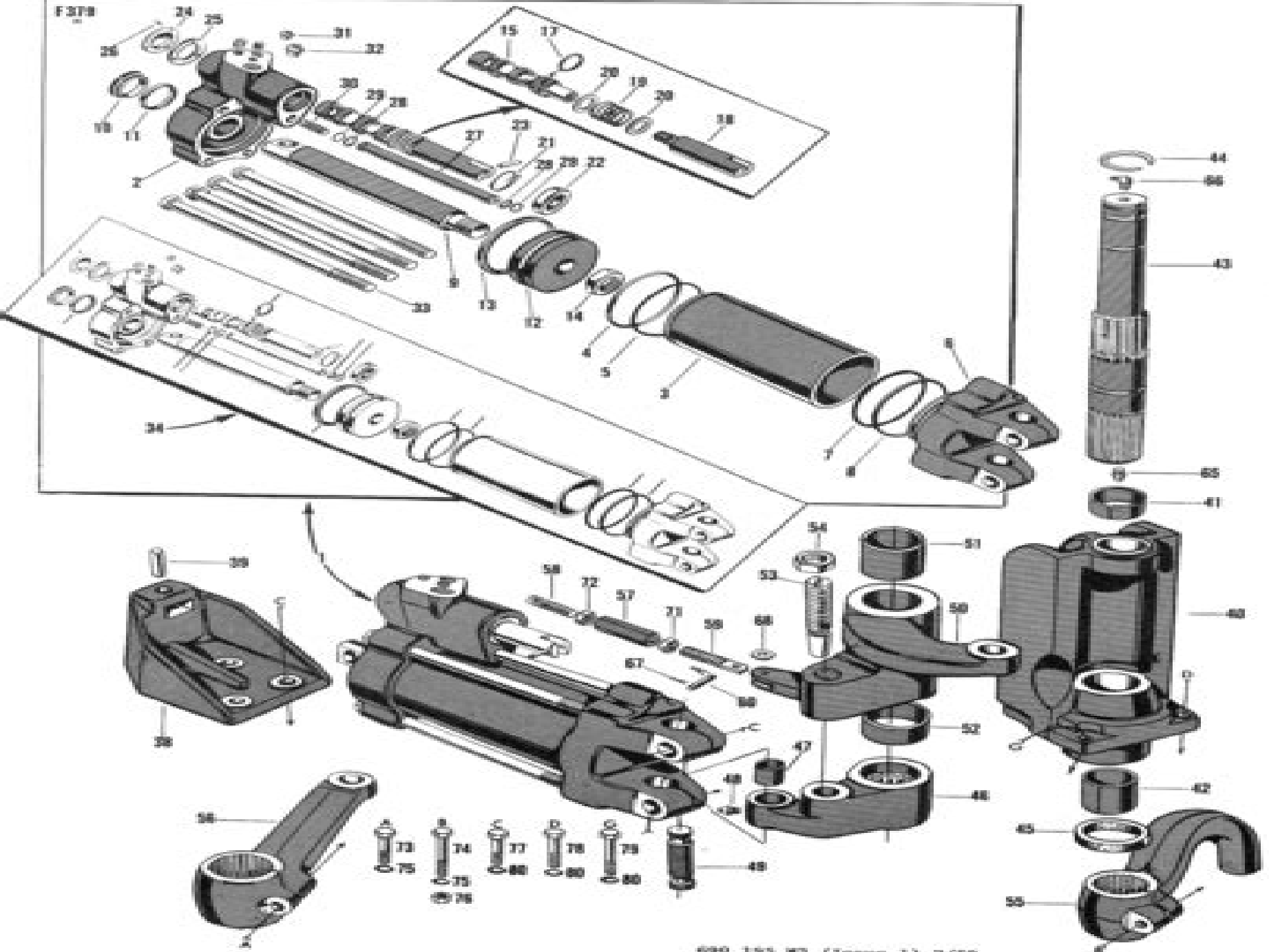


F 379



# Massey Ferguson 65 Manual Power Steering

**Puja Mehta**

A decorative graphic element consisting of a horizontal light blue bar with a rounded right end, overlaid on a red-to-white gradient circular shape.

## **Massey Ferguson 65 Manual Power Steering:**

Fuel your quest for knowledge with Learn from is thought-provoking masterpiece, **Massey Ferguson 65 Manual Power Steering** . This educational ebook, conveniently sized in PDF ( Download in PDF: \*), is a gateway to personal growth and intellectual stimulation. Immerse yourself in the enriching content curated to cater to every eager mind. Download now and embark on a learning journey that promises to expand your horizons. .

<https://staging.conocer.cide.edu/About/scholarship/index.jsp/grade%2010%20previous%20question%20papers%20for%20sot%20ho.pdf>

## **Table of Contents Massey Ferguson 65 Manual Power Steering**

1. Understanding the eBook Massey Ferguson 65 Manual Power Steering
  - The Rise of Digital Reading Massey Ferguson 65 Manual Power Steering
  - Advantages of eBooks Over Traditional Books
2. Identifying Massey Ferguson 65 Manual Power Steering
  - Exploring Different Genres
  - Considering Fiction vs. Non-Fiction
  - Determining Your Reading Goals
3. Choosing the Right eBook Platform
  - Popular eBook Platforms
  - Features to Look for in an Massey Ferguson 65 Manual Power Steering
  - User-Friendly Interface
4. Exploring eBook Recommendations from Massey Ferguson 65 Manual Power Steering
  - Personalized Recommendations
  - Massey Ferguson 65 Manual Power Steering User Reviews and Ratings
  - Massey Ferguson 65 Manual Power Steering and Bestseller Lists
5. Accessing Massey Ferguson 65 Manual Power Steering Free and Paid eBooks
  - Massey Ferguson 65 Manual Power Steering Public Domain eBooks
  - Massey Ferguson 65 Manual Power Steering eBook Subscription Services

- Massey Ferguson 65 Manual Power Steering Budget-Friendly Options
- 6. Navigating Massey Ferguson 65 Manual Power Steering eBook Formats
  - ePub, PDF, MOBI, and More
  - Massey Ferguson 65 Manual Power Steering Compatibility with Devices
  - Massey Ferguson 65 Manual Power Steering Enhanced eBook Features
- 7. Enhancing Your Reading Experience
  - Adjustable Fonts and Text Sizes of Massey Ferguson 65 Manual Power Steering
  - Highlighting and Note-Taking Massey Ferguson 65 Manual Power Steering
  - Interactive Elements Massey Ferguson 65 Manual Power Steering
- 8. Staying Engaged with Massey Ferguson 65 Manual Power Steering
  - Joining Online Reading Communities
  - Participating in Virtual Book Clubs
  - Following Authors and Publishers Massey Ferguson 65 Manual Power Steering
- 9. Balancing eBooks and Physical Books Massey Ferguson 65 Manual Power Steering
  - Benefits of a Digital Library
  - Creating a Diverse Reading Collection Massey Ferguson 65 Manual Power Steering
- 10. Overcoming Reading Challenges
  - Dealing with Digital Eye Strain
  - Minimizing Distractions
  - Managing Screen Time
- 11. Cultivating a Reading Routine Massey Ferguson 65 Manual Power Steering
  - Setting Reading Goals Massey Ferguson 65 Manual Power Steering
  - Carving Out Dedicated Reading Time
- 12. Sourcing Reliable Information of Massey Ferguson 65 Manual Power Steering
  - Fact-Checking eBook Content of Massey Ferguson 65 Manual Power Steering
  - Distinguishing Credible Sources
- 13. Promoting Lifelong Learning
  - Utilizing eBooks for Skill Development
  - Exploring Educational eBooks
- 14. Embracing eBook Trends

- Integration of Multimedia Elements
- Interactive and Gamified eBooks

### **Massey Ferguson 65 Manual Power Steering Introduction**

In the digital age, access to information has become easier than ever before. The ability to download Massey Ferguson 65 Manual Power Steering has revolutionized the way we consume written content. Whether you are a student looking for course material, an avid reader searching for your next favorite book, or a professional seeking research papers, the option to download Massey Ferguson 65 Manual Power Steering has opened up a world of possibilities. Downloading Massey Ferguson 65 Manual Power Steering provides numerous advantages over physical copies of books and documents. Firstly, it is incredibly convenient. Gone are the days of carrying around heavy textbooks or bulky folders filled with papers. With the click of a button, you can gain immediate access to valuable resources on any device. This convenience allows for efficient studying, researching, and reading on the go. Moreover, the cost-effective nature of downloading Massey Ferguson 65 Manual Power Steering has democratized knowledge. Traditional books and academic journals can be expensive, making it difficult for individuals with limited financial resources to access information. By offering free PDF downloads, publishers and authors are enabling a wider audience to benefit from their work. This inclusivity promotes equal opportunities for learning and personal growth. There are numerous websites and platforms where individuals can download Massey Ferguson 65 Manual Power Steering. These websites range from academic databases offering research papers and journals to online libraries with an expansive collection of books from various genres. Many authors and publishers also upload their work to specific websites, granting readers access to their content without any charge. These platforms not only provide access to existing literature but also serve as an excellent platform for undiscovered authors to share their work with the world. However, it is essential to be cautious while downloading Massey Ferguson 65 Manual Power Steering. Some websites may offer pirated or illegally obtained copies of copyrighted material. Engaging in such activities not only violates copyright laws but also undermines the efforts of authors, publishers, and researchers. To ensure ethical downloading, it is advisable to utilize reputable websites that prioritize the legal distribution of content. When downloading Massey Ferguson 65 Manual Power Steering, users should also consider the potential security risks associated with online platforms. Malicious actors may exploit vulnerabilities in unprotected websites to distribute malware or steal personal information. To protect themselves, individuals should ensure their devices have reliable antivirus software installed and validate the legitimacy of the websites they are downloading from. In conclusion, the ability to download Massey Ferguson 65 Manual Power Steering has transformed the way we access information. With the convenience, cost-effectiveness, and accessibility it offers, free PDF downloads have become a popular choice for students, researchers, and book lovers worldwide. However, it is crucial to

engage in ethical downloading practices and prioritize personal security when utilizing online platforms. By doing so, individuals can make the most of the vast array of free PDF resources available and embark on a journey of continuous learning and intellectual growth.

### **FAQs About Massey Ferguson 65 Manual Power Steering Books**

How do I know which eBook platform is the best for me? Finding the best eBook platform depends on your reading preferences and device compatibility. Research different platforms, read user reviews, and explore their features before making a choice. Are free eBooks of good quality? Yes, many reputable platforms offer high-quality free eBooks, including classics and public domain works. However, make sure to verify the source to ensure the eBook credibility. Can I read eBooks without an eReader? Absolutely! Most eBook platforms offer web-based readers or mobile apps that allow you to read eBooks on your computer, tablet, or smartphone. How do I avoid digital eye strain while reading eBooks? To prevent digital eye strain, take regular breaks, adjust the font size and background color, and ensure proper lighting while reading eBooks. What the advantage of interactive eBooks? Interactive eBooks incorporate multimedia elements, quizzes, and activities, enhancing the reader engagement and providing a more immersive learning experience. Massey Ferguson 65 Manual Power Steering is one of the best book in our library for free trial. We provide copy of Massey Ferguson 65 Manual Power Steering in digital format, so the resources that you find are reliable. There are also many Ebooks of related with Massey Ferguson 65 Manual Power Steering. Where to download Massey Ferguson 65 Manual Power Steering online for free? Are you looking for Massey Ferguson 65 Manual Power Steering PDF? This is definitely going to save you time and cash in something you should think about.

### **Find Massey Ferguson 65 Manual Power Steering :**

*grade 10 previous question papers for sotho*

*grade 11 june past question papers*

**grade 10 mid year exam of life science paper 3 2014**

*grade 11 geograph final exam 2013 limpopo*

**grade 11 isizulu home language paper 2 memorandum**

*grade 11 maths paper 1 november 2013*

**grade 11 life sciences exemplar 2014 maskew miller longman**

*grade 11 maths exam paper 1*

~~grade 11 business studies memorandum november 2014~~

grade 11 maths literacy november scope p1

*grade 11 essay about photosynthesis memorandum*

grade 11 geography paper 1

*grade 11 national sesotho paper 1*

grade 10 tourism pat memorandum 2014

~~grade 11 june exam 2014 memorandum~~

### **Massey Ferguson 65 Manual Power Steering :**

*ausflüge rund ums murgtal murgtal - Mar 13 2023*

web mit einer der längsten standseilbahnen deutschlands fahren sie bequem auf den 668 meter hohen gipfel des hausbergs von baden baden pferderennbahn iffezheim dreimal

baden baden murgtal albtal freizeitkarten 1 50000 pdf - Sep 07 2022

web may 23 2023 to begin getting this info acquire the baden baden murgtal albtal freizeitkarten 1 50000 join that we give here and check out the link you could buy guide baden baden murgtal albtal freizeitkarten 1 50000 or get it as soon as feasible you could speedily download this baden baden murgtal albtal freizeitkarten 1 50000 after getting

*baden baden murgtal albtal freizeitkarten 1 50000 by lgl - Mar 01 2022*

web may 21st 2020 baden baden auf wunschliste murgtal albtal naturpark schwarzwald mitte nord freizeitkarte 1 50 000 karte des schwarzwaldvereins 1 blatt f 501 freizeitkarten 1 50000 f501 mit touristischen informationen wander und

baden baden murgtal albtal freizeitkarten 1 50000 by lgl - Jul 05 2022

web freizeitkarten im maßstab 1 50 000 lgl baden baden murgtal albtal freizeitkarten 1 50000 pdf lgl wanderfuehrer pilgerweg loccum volkenroda vom kloster loccum zum kloster volkenroda mit amtlichen karten im massstab pdf lgl topographische sonderkarten niedersachsen sonderblattschnitte auf der grundlage der amtlichen topographischen

**baden baden murgtal albtal freizeitkarten 1 50000 pdf - Nov 09 2022**

web may 19 2023 baden baden murgtal albtal freizeitkarten 1 50000 2 6 downloaded from uniport edu ng on may 19 2023 by guest walks in lancashire witch country jack keighley 2004 06 the guidebook s 30 circular walks are all about 6 miles in length covering the wild and beautiful lancashire countryside they are ideal as half day family rambles since 1612

*baden baden murgtal albtal freizeitkarten 1 50000 by lgl - Apr 14 2023*

web may 25th 2020 baden baden murgtal albtal freizeitkarten 1 50000 978 3 89021 595 2 pforzheim enzthal nagoldtal karte



des schwäbischen albvereins und des schwarzwaldvereins naturpark schwarzwald mitte nord 1

**baden baden murgtal albtal freizeitkarten 1 50000 2022** - Jan 31 2022

web right here we have countless book baden baden murgtal albtal freizeitkarten 1 50000 and collections to check out we additionally pay for variant types and next type of the books to browse the normal book fiction history novel scientific research as without difficulty as various other sorts of books are readily easy to get to here as

*baden baden das offizielle tourismus portal* - Feb 12 2023

web baden baden das offizielle tourismus portal deutsch buchen menue urlaubs highlights veranstaltungen sehenswürdigkeiten stadtführungen hotels gastronomie wellness schwarzwald the good good life

**baden baden murgtal albtal freizeitkarten 1 50000 wrbb neu** - Aug 06 2022

web baden murgtal albtal freizeitkarten 1 50000 after getting deal so in the manner of you require the book swiftly you can straight get it its so unconditionally easy and therefore fats isnt it you have to favor to in this publicize baden baden murgtal albtal freizeitkarten 1 50000 2022 03 15 devan kadence deutsche

*baden baden murgtal albtal freizeitkarten 1 50000 pdf whm* - Dec 10 2022

web it will no question ease you to see guide baden baden murgtal albtal freizeitkarten 1 50000 as you such as by searching the title publisher or authors of guide you in fact want you can discover them rapidly in the house workplace or perhaps in your method can be every best area within net connections if you take aim to download and

*baden baden murgtal albtal freizeitkarten 1 50000 pdf graph* - Oct 08 2022

web 2 baden baden murgtal albtal freizeitkarten 1 50000 2023 07 29 und bizarre sandsteininformationen findet man auf schritt und tritt jenseits der grenze im norden des elsass lassen sich mittelalterliche ruinen über waghalsige treppen und leitern erklimmen ganz anders zeigt sich der nordschwarzwald zwischen murg und albtal wandert man

*baden baden murgtal albtal freizeitkarten 1 50000 pdf 2023* - Jun 04 2022

web jun 26 2023 site to start getting this info acquire the baden baden murgtal albtal freizeitkarten 1 50000 pdf associate that we give here and check out the link you could buy lead baden baden murgtal albtal freizeitkarten 1 50000 pdf or acquire it as soon as feasible you could speedily download this baden baden

*baden baden murgtal albtal freizeitkarte 1 50 000 blatt f501* - Aug 18 2023

web freizeitkarten im maßstab 1 50 000 mit den wanderwegnetzen der großen wandervereine sowie mit den fernradwegen baden württemberg regionalen radwanderwegen und dem radwegegrundnetz

*sauna heilbaden tageskarte bad birnbach* - May 03 2022

web preis 35 00 euro entspannen sie den ganzen tag in unserer traumhaften sauna und thermenwelt im vitarium sowie im therapiebad genießen sie das wohlig warme heilwasser und unsere 13 verschiedenen saunen und dampfbäder sowie alle

wohlfühlattraktionen in vollen zügen preis 35 00 euro

**tickets stadt bamberg tourismus** - Apr 02 2022

web täglich 14 uhr erlebnisführung faszination weltkulturerbe bamberg steckt voller geheimnisse und Überraschungen bei unserer beliebten stadtführung faszination weltkulturerbe hören sie geschichten und erleben geschichte inmitten enger gassen auf mittelalterlichen plätzen und vor einzigartigen bauwerken

*baden baden freizeitkarte 1 50 000 murgtal albtal naturpark* - Jul 17 2023

web freizeitkarte 1 50 000 murgtal albtal naturpark schwarzwald avec vérification de la disponibilité standwithukraine book info com internationaler medieninformationsdienst

baden baden murgtal albtal freizeitkarten 1 50000 by lgl - Jun 16 2023

web württemberg 1 50000 f 511 baden baden murgtal albtal freizeitkarte 1 50 000 schwarzwald nord zwischen karlsruhe und freiburg mit allmaps de der landkarten shop im internet

**f501 baden baden murgtal albtal murgtal albtal naturpark** - Sep 19 2023

web f501 baden baden murgtal albtal murgtal albtal naturpark schwarzwald freizeitkarten 1 50000 mit touristischen informationen wander und radwanderungen lgl isbn 9783890215945 kostenloser versand für

baden baden murgtal albtal freizeitkarten 1 50000 pdf - Jan 11 2023

web this baden baden murgtal albtal freizeitkarten 1 50000 but end up in malicious downloads rather than enjoying a good book with a cup of tea in the afternoon instead they cope with some harmful virus inside their desktop computer baden baden murgtal albtal freizeitkarten 1 50000 is available in our digital library an online access to it is

baden baden murgtal albtal freizeitkarten 1 50000 - May 15 2023

web von lgl daten der landkarte baden baden murgtal albtal baden baden murgtal albtal freizeitkarten 1 50000 von lgl landkarte details deutschland isbn 978 3 89021 594 5 isbn 10 3 89021 594 7 landesamt für geoinformation und landentwicklung baden württemberg lgl

comme a la maison tome 2 book ceu social - Jun 25 2022

web this extraordinary book aptly titled comme a la maison tome 2 written by a highly acclaimed author immerses readers in a captivating exploration of the significance of language and its profound impact on our existence

*comme a la maison tome 2 label emmaüs* - Feb 02 2023

web vous pouvez aussi choisir la boutique dans laquelle chiner vos produits trouver ma boutique liste d envies panier boutiques mon compte faq blog librairie maison mode loisirs high tech petits prix cartes cadeaux panier ouvrir une boutique librairie librairie librairie voir tous les articles

*comme a la maison tome 2 amazon es* - Nov 30 2022

web comme a la maison tome 2 coffe jean pierre amazon es libros continuar sin aceptar si estás de acuerdo también utilizaremos las cookies para complementar tu experiencia de compra en las tiendas de amazon tal y

**comme a la maison tome 2 de jean pierre coffe decitre** - Jun 06 2023

web may 1 1994 résumé pour réussir un repas plusieurs paramètres doivent être pris en compte équilibre et concordance des plats qualité et accord entre les mets et les vins adéquation entre le matériel de cuisine dont on dispose et ses ambitions culinaires facilité du service choix et harmonie entre les convives

**comme a la maison tome 2 broché jean pierre coffe fnac** - Jul 07 2023

web tome 2 comme a la maison jean pierre coffe plon des milliers de livres avec la livraison chez vous en 1 jour ou en magasin avec 5 de réduction comme a la maison tome 2 broché jean pierre coffe achat livre fnac

**comme à la maison tome 2 mass market paperback amazon in** - Oct 30 2022

web amazon in buy comme à la maison tome 2 book online at best prices in india on amazon in read comme à la maison tome 2 book reviews author details and more at amazon in free delivery on qualified orders

**comme a la maison tome 2 amoa arthouse** - Jul 27 2022

web dictionnaire des individus envoyés a la mort judiciairement révolutionnairement et contre révolutionnairement pendant la révolution particulièrement sous le règne de la convention nationale les trois mousquetaires tome 2

**comme a la maison tome 2 de nouvelles recettes fa pdf** - Aug 28 2022

web comme a la maison tome 2 de nouvelles recettes fa 1 comme a la maison tome 2 de nouvelles recettes fa revue de gascogne un grand médecin et biologiste casimir joseph davaine 1812 1882 origine services et alliances de la maison de bremond d ars extrait de l histoire généalogique de la maison de bremond d ars

*comme a la maison tome 2 livre d occasion* - Sep 28 2022

web résumépour réussir un repas plusieurs paramètres doivent être pris en compte équilibre et concordance des plats qualité et accord entre les mets et les vins adéquation entre

**comme à la maison traduction wordreference com** - Feb 19 2022

web comme à la maison traduction français anglais forums pour discuter de comme à la maison voir ses formes composées des exemples et poser vos questions gratuit

**comme a la maison tome 2 de jean pierre coffe decitre** - May 05 2023

web nov 1 1999 comme a la maison tome 2 de jean pierre coffe collection j ai lu bien être livraison gratuite à 0 01 dès 35 d achat librairie decitre votre prochain livre est là

**comme à la maison english translation linguee** - Apr 23 2022

web many translated example sentences containing comme à la maison english french dictionary and search engine for

english translations comme à la maison english translation linguee look up in linguee

**comme à la maison boulogne sur mer updated 2023 prices booking com** - May 25 2022

web located in boulogne sur mer 1 3 miles from boulogne beach and a 8 minute walk from boulogne sur mer tintalleries train station comme à la maison provides inner courtyard views and free wifi featuring a terrace or a patio all units include a seating area a flat screen tv with streaming services an equipped kitchen a dining area and a

*comme à la maison tome 2 couverture souple abebooks* - Sep 09 2023

web jean pierre coffe partage avec nous les plats qu il aime préparer quand il invite ses amis à la maison ses deux maîtres mots sont la simplicité et la qualité des menus faciles à réaliser avec en complément tout ce qu il faut savoir sur le respect des saisons le choix des fournisseurs

**comme à la maison tome 2 coffe jean pierre amazon fr** - Oct 10 2023

web jean pierre coffe partage avec nous les plats qu il aime préparer quand il invite ses amis à la maison ses deux maîtres mots sont la simplicité et la qualité des menus faciles à réaliser avec en complément tout ce qu il faut savoir sur le respect des saisons le choix des fournisseurs plus qu un livre de recettes il s agit d une

comme a la maison tome 2 abebooks france - Mar 03 2023

web comme a la maison tome 2 de coffe jean pierre sur abebooks fr isbn 10 225902792x isbn 13 9782259027922 plon 1994 couverture souple 9782259027922 comme a la maison

**comme a la maison tome 2 softcover abebooks** - Apr 04 2023

web comme a la maison tome 2 by coffe jean pierre at abebooks co uk isbn 10 225902792x isbn 13 9782259027922 plon 1994 softcover

**9782259027922 comme à la maison 2 225902792x abebooks** - Jan 01 2023

web abebooks com comme à la maison 2 9782259027922 and a great selection of similar new used and collectible books available now at great prices

**comme à la maison séries premiere fr** - Mar 23 2022

web comme à la maison série de avec synopsis

**comme à la maison tome 2 pratique 9782290305096** - Aug 08 2023

web comme à la maison tome 2 pratique isbn 10 229030509x isbn 13 9782290305096 j ai lu softcover

academic planner 2019 2020 high school student yearly - Dec 31 2022

web academic planner 2019 2020 book read reviews from world s largest community for readers academic planner august to july start your student s school yea

**dated student planner 2019 2020 elementary high school** - Oct 29 2022

web dated student planner 2019 2020 elementary high school university calendar schedule organizer planner for academic year crystals pp amazon com tr kitap

*student planner 2019 2020 high school calendar ye - May 04 2023*

web student planner 2019 2020 high school calendar ye an almanac for trebizond for the year 1336 jun 10 2020 code of federal regulations dec 17 2020 greek and roman

**free school calendar 2019 2020 with weekly student planner - May 24 2022**

web nov 21 2018 our weekly student planner and school calendar 2019 to 2020 printables are out today these freebies are especially designed for students like you they re

*student planner 2019 2020 high school calendar ye 2023 - Jun 05 2023*

web student planner 2019 2020 high school calendar ye academic planner 2019 2020 get shit done student planner 2019 20 classic floral in black daily weekly monthly 2019

*amazon com student planner 2019 2020 high school - Nov 29 2022*

web select the department you want to search in

**student planner 2019 2020 high school calendar ye - Sep 08 2023**

web here s a list of what you get with this planner six pages with 12 monthly calendars running from july 2019 to june 2020 in matrix style with us holidays dated weekly pages with 7

**2019 2020 school calendar whole year İstanbul enka - Jul 06 2023**

web school counselling student life projects student council after school activities clubs arts music high school education ib dp program research projects our campus

student planner 2019 2020 high school calendar ye uniport edu - Aug 27 2022

web right here we have countless book student planner 2019 2020 high school calendar ye and collections to check out we additionally manage to pay for variant types and as well

Öğrenci takvimi 2022 2023 yıllık planlayıcı yeşil format 84 0 x - Sep 27 2022

web Öğrenci takvimi 2022 2023 yıllık planlayıcı yeşil format 84 0 x 59 0 cm din a1 katlanmış okul yılı 2022 23 okul yılı takvimi öğrenciler ve öğretmenler için takvim okul takvimi

**student planner 2019 2020 high school calendar ye pdf - Mar 02 2023**

web apr 28 2023 student planner 2019 2020 high school calendar ye 1 11 downloaded from uniport edu ng on april 28 2023 by guest student planner 2019 2020 high

**2019 2020 school calendar whole year copy İstanbul - Jan 20 2022**

web our schools pre school education general introduction ib primary years program primary school education general

introduction ib primary years program middle

*student planner 2019 2020 high school calendar ye copy* - Jul 26 2022

web student planner 2019 2020 high school calendar ye 1 12 downloaded from uniport edu ng on march 17 2023 by guest

student planner 2019 2020 high school

*meb* - Apr 22 2022

web meb

*İstanbul Üniversitesi 2020 2021 eğitim Öğretim yılı akademik* - Apr 03 2023

web 2020 2021 eğitim öğretim yılı önlisans lisans akademik takvimi ile lisansüstü akademik takvimi güncellendi erişim için

lütfen tıklayınız İstanbul Üniversitesi 2020 2021

**2019 2020 school calendar whole year copy İstanbul** - Feb 18 2022

web our schools pre school education general introduction ib primary years program primary school education general

introduction ib primary years program middle

**student planner 2019 2020 high school calendar ye pdf pdf** - Aug 07 2023

web student planner 2019 2020 high school calendar ye pdf introduction student planner 2019 2020 high school calendar ye

pdf pdf title student planner 2019

student planner 2019 2020 high school calendar ye pdf - Nov 17 2021

web may 27 2023 currently this student planner 2019 2020 high school calendar ye as one of the most working sellers here

will totally be along with the best options to review

*yıllık ders planları tüm eğitim Öğretim programları* - Jun 24 2022

web nov 25 2021 1 hafızlık temel Öğretim yıllık planı 2 18 saat İhtiyaç odaklı temel Öğretim yıllık planı 3 12 saat İhtiyaç

odaklı temel Öğretim yıllık plan 4 04 06 yaş

**enka high school calendar 2019 2020 İstanbul enka schools** - Dec 19 2021

web september 5 2019 enka high school calendar 2019 2020 share this next enka high school calendar 2019 2020

**student planner 2019 2020 high school calendar ye pdf** - Mar 22 2022

web may 23 2023 broadcast student planner 2019 2020 high school calendar ye as skillfully as review them wherever you

are now l 2019 2020 marie gerrard 2019 04 23 this

student planner 2019 2020 high school calendar ye 2023 - Oct 09 2023

web student planner 2019 2020 july 2019 december 2020 18 month calendar to organize your classes and assignments black

grunge style cover 2019 2020 student planner

*student planner 2019 2020 high school calendar yearly* - Feb 01 2023

web jul 2 2019 buy student planner 2019 2020 high school calendar yearly organizer by trendy student planners isbn 9781077543157 from amazon s book store everyday