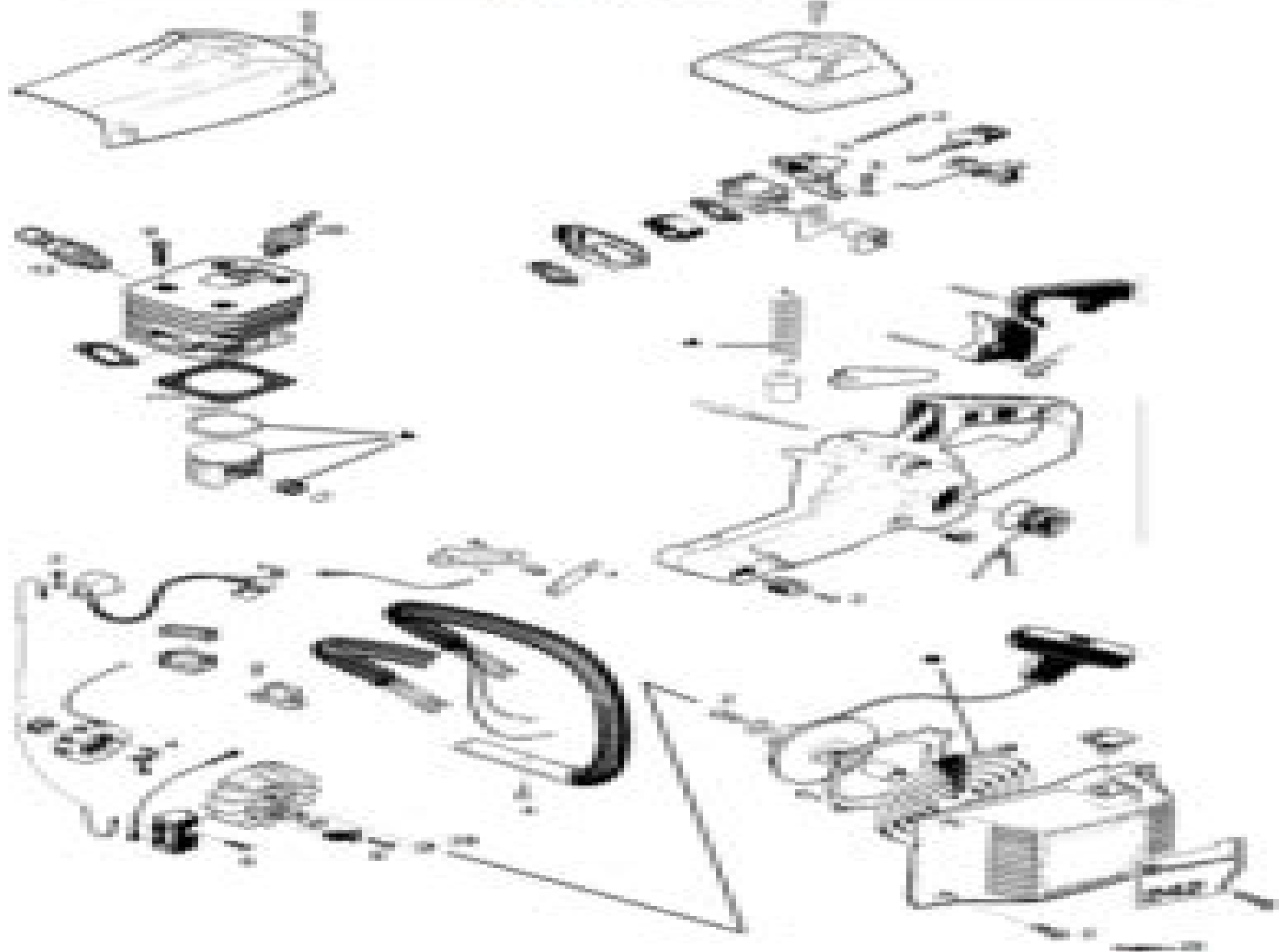


# SERVICE DATA



# Husqvarna Chainsaw Repair Manual 36a

**Husqvarna (Firm)**



## **Husqvarna Chainsaw Repair Manual 36a:**

**The Phone Book** Telkom (Firm : South Africa),2002      **Husqvarna Workshop Manual, Chain Saw Model 2100**  
Husqvarna (Firm),19??      Husqvarna Chain Saws Husqvarna Pty Ltd,199?      **Husqvarna 50, 50 Special, 51, and 55**  
**Workshop Manual** Husqvarna (Firm),19??      **Chain Saw Operator's Manual** Husqvarna,2002      Husqvarna Workshop  
Manual, Clearing Saw Model 165R. Husqvarna (Firm),19??      *Husqvarna 181 Workshop Manual* Husqvarna (Firm),19??  
*Workshop Manual 365/371XP* Husqvarna Pty Ltd,199?      **CHAINSAW MAINTENANCE COMPREHENSIVE**  
**GUIDELINES POCKET GUIDE** GAETANO (TOM) SMITH,2024      *Working with chainsaws: basic manual for safe and*  
*efficient chainsaw use - part 1* Husqvarna UK Limited,2012      **Working with chainsaws: advanced manual for safe and**  
**efficient chainsaw use - part 2** Husqvarna UK Limited,2012      **Chain Saw Service Manual** ,1966      *Chain Saw Service*  
*Manual* Intertec Publishing Corporation,1989 This manual provides comprehensive service and repair information for the  
most popular chain saw models Prepared by expert technical writers in an easy step by step format it covers repair  
reassembly maintenance and adjustment procedures in detail      **Chain Saw Service Manual** ,1970      **Chain Saw**  
**Service Manual** Intertec,1993      **Chain Saw Flat Rate Pricing Guide/Cf-10** Intertec Publishing Corporation,Intertec  
Publishing Corporation Staff,1989-03-01      Chain Saw Service Manual Intertec Publishing Corporation. Technical  
Publications Division,1970

Uncover the mysteries within its enigmatic creation, Discover the Intrigue in **Husqvarna Chainsaw Repair Manual 36a** . This downloadable ebook, shrouded in suspense, is available in a PDF format (\*). Dive into a world of uncertainty and anticipation. Download now to unravel the secrets hidden within the pages.

<https://staging.conocer.cide.edu/data/book-search/index.jsp/Horse%20Pony%20Stories%20A%20Thoroughbred%20Collection.pdf>

## **Table of Contents Husqvarna Chainsaw Repair Manual 36a**

1. Understanding the eBook Husqvarna Chainsaw Repair Manual 36a
  - The Rise of Digital Reading Husqvarna Chainsaw Repair Manual 36a
  - Advantages of eBooks Over Traditional Books
2. Identifying Husqvarna Chainsaw Repair Manual 36a
  - Exploring Different Genres
  - Considering Fiction vs. Non-Fiction
  - Determining Your Reading Goals
3. Choosing the Right eBook Platform
  - Popular eBook Platforms
  - Features to Look for in an Husqvarna Chainsaw Repair Manual 36a
  - User-Friendly Interface
4. Exploring eBook Recommendations from Husqvarna Chainsaw Repair Manual 36a
  - Personalized Recommendations
  - Husqvarna Chainsaw Repair Manual 36a User Reviews and Ratings
  - Husqvarna Chainsaw Repair Manual 36a and Bestseller Lists
5. Accessing Husqvarna Chainsaw Repair Manual 36a Free and Paid eBooks
  - Husqvarna Chainsaw Repair Manual 36a Public Domain eBooks
  - Husqvarna Chainsaw Repair Manual 36a eBook Subscription Services
  - Husqvarna Chainsaw Repair Manual 36a Budget-Friendly Options

6. Navigating Husqvarna Chainsaw Repair Manual 36a eBook Formats
  - ePub, PDF, MOBI, and More
  - Husqvarna Chainsaw Repair Manual 36a Compatibility with Devices
  - Husqvarna Chainsaw Repair Manual 36a Enhanced eBook Features
7. Enhancing Your Reading Experience
  - Adjustable Fonts and Text Sizes of Husqvarna Chainsaw Repair Manual 36a
  - Highlighting and Note-Taking Husqvarna Chainsaw Repair Manual 36a
  - Interactive Elements Husqvarna Chainsaw Repair Manual 36a
8. Staying Engaged with Husqvarna Chainsaw Repair Manual 36a
  - Joining Online Reading Communities
  - Participating in Virtual Book Clubs
  - Following Authors and Publishers Husqvarna Chainsaw Repair Manual 36a
9. Balancing eBooks and Physical Books Husqvarna Chainsaw Repair Manual 36a
  - Benefits of a Digital Library
  - Creating a Diverse Reading Collection Husqvarna Chainsaw Repair Manual 36a
10. Overcoming Reading Challenges
  - Dealing with Digital Eye Strain
  - Minimizing Distractions
  - Managing Screen Time
11. Cultivating a Reading Routine Husqvarna Chainsaw Repair Manual 36a
  - Setting Reading Goals Husqvarna Chainsaw Repair Manual 36a
  - Carving Out Dedicated Reading Time
12. Sourcing Reliable Information of Husqvarna Chainsaw Repair Manual 36a
  - Fact-Checking eBook Content of Husqvarna Chainsaw Repair Manual 36a
  - Distinguishing Credible Sources
13. Promoting Lifelong Learning
  - Utilizing eBooks for Skill Development
  - Exploring Educational eBooks
14. Embracing eBook Trends
  - Integration of Multimedia Elements

- Interactive and Gamified eBooks

### **Husqvarna Chainsaw Repair Manual 36a Introduction**

In the digital age, access to information has become easier than ever before. The ability to download Husqvarna Chainsaw Repair Manual 36a has revolutionized the way we consume written content. Whether you are a student looking for course material, an avid reader searching for your next favorite book, or a professional seeking research papers, the option to download Husqvarna Chainsaw Repair Manual 36a has opened up a world of possibilities. Downloading Husqvarna Chainsaw Repair Manual 36a provides numerous advantages over physical copies of books and documents. Firstly, it is incredibly convenient. Gone are the days of carrying around heavy textbooks or bulky folders filled with papers. With the click of a button, you can gain immediate access to valuable resources on any device. This convenience allows for efficient studying, researching, and reading on the go. Moreover, the cost-effective nature of downloading Husqvarna Chainsaw Repair Manual 36a has democratized knowledge. Traditional books and academic journals can be expensive, making it difficult for individuals with limited financial resources to access information. By offering free PDF downloads, publishers and authors are enabling a wider audience to benefit from their work. This inclusivity promotes equal opportunities for learning and personal growth. There are numerous websites and platforms where individuals can download Husqvarna Chainsaw Repair Manual 36a. These websites range from academic databases offering research papers and journals to online libraries with an expansive collection of books from various genres. Many authors and publishers also upload their work to specific websites, granting readers access to their content without any charge. These platforms not only provide access to existing literature but also serve as an excellent platform for undiscovered authors to share their work with the world. However, it is essential to be cautious while downloading Husqvarna Chainsaw Repair Manual 36a. Some websites may offer pirated or illegally obtained copies of copyrighted material. Engaging in such activities not only violates copyright laws but also undermines the efforts of authors, publishers, and researchers. To ensure ethical downloading, it is advisable to utilize reputable websites that prioritize the legal distribution of content. When downloading Husqvarna Chainsaw Repair Manual 36a, users should also consider the potential security risks associated with online platforms. Malicious actors may exploit vulnerabilities in unprotected websites to distribute malware or steal personal information. To protect themselves, individuals should ensure their devices have reliable antivirus software installed and validate the legitimacy of the websites they are downloading from. In conclusion, the ability to download Husqvarna Chainsaw Repair Manual 36a has transformed the way we access information. With the convenience, cost-effectiveness, and accessibility it offers, free PDF downloads have become a popular choice for students, researchers, and book lovers worldwide. However, it is crucial to engage in ethical downloading practices and prioritize personal security when utilizing online platforms. By doing so, individuals can make the most of the

vast array of free PDF resources available and embark on a journey of continuous learning and intellectual growth.

### **FAQs About Husqvarna Chainsaw Repair Manual 36a Books**

1. Where can I buy Husqvarna Chainsaw Repair Manual 36a books? Bookstores: Physical bookstores like Barnes & Noble, Waterstones, and independent local stores. Online Retailers: Amazon, Book Depository, and various online bookstores offer a wide range of books in physical and digital formats.
2. What are the different book formats available? Hardcover: Sturdy and durable, usually more expensive. Paperback: Cheaper, lighter, and more portable than hardcovers. E-books: Digital books available for e-readers like Kindle or software like Apple Books, Kindle, and Google Play Books.
3. How do I choose a Husqvarna Chainsaw Repair Manual 36a book to read? Genres: Consider the genre you enjoy (fiction, non-fiction, mystery, sci-fi, etc.). Recommendations: Ask friends, join book clubs, or explore online reviews and recommendations. Author: If you like a particular author, you might enjoy more of their work.
4. How do I take care of Husqvarna Chainsaw Repair Manual 36a books? Storage: Keep them away from direct sunlight and in a dry environment. Handling: Avoid folding pages, use bookmarks, and handle them with clean hands. Cleaning: Gently dust the covers and pages occasionally.
5. Can I borrow books without buying them? Public Libraries: Local libraries offer a wide range of books for borrowing. Book Swaps: Community book exchanges or online platforms where people exchange books.
6. How can I track my reading progress or manage my book collection? Book Tracking Apps: Goodreads, LibraryThing, and Book Catalogue are popular apps for tracking your reading progress and managing book collections. Spreadsheets: You can create your own spreadsheet to track books read, ratings, and other details.
7. What are Husqvarna Chainsaw Repair Manual 36a audiobooks, and where can I find them? Audiobooks: Audio recordings of books, perfect for listening while commuting or multitasking. Platforms: Audible, LibriVox, and Google Play Books offer a wide selection of audiobooks.
8. How do I support authors or the book industry? Buy Books: Purchase books from authors or independent bookstores. Reviews: Leave reviews on platforms like Goodreads or Amazon. Promotion: Share your favorite books on social media or recommend them to friends.
9. Are there book clubs or reading communities I can join? Local Clubs: Check for local book clubs in libraries or community centers. Online Communities: Platforms like Goodreads have virtual book clubs and discussion groups.

10. Can I read Husqvarna Chainsaw Repair Manual 36a books for free? Public Domain Books: Many classic books are available for free as they're in the public domain. Free E-books: Some websites offer free e-books legally, like Project Gutenberg or Open Library.

**Find Husqvarna Chainsaw Repair Manual 36a :**

[horse pony stories a thoroughbred collection](#)

*honor in the house speaker tom foley*

[horror on the hill](#)

[horror literature a core collection and reference guide](#)

**horn man the polish-american musician in 20th century detroit**

[horses a closer look at](#)

*horseback on the boston post road 1704*

*hop and play*

*honey ive shrunk the bills*

[horizons circled reflections on my music](#)

~~horners syndrome a medical dictionary bibliography and annotated research guide to internet references~~

*hope springs from mended places images of grace in the shadows of death*

[honey bear animals birds and other creatures honey bears](#)

*hooked on elvis*

*hormones and behaviour in higher vertebrates fortschritte der chemischen forschung*

**Husqvarna Chainsaw Repair Manual 36a :**

*formulasi sirup ekstrak kunyit uniport edu ng - Sep 23 2021*

**formulasi dan uji mutu fisik lotion ekstrak kunyit** - Oct 05 2022

web formulasi salep ekstrak etanol rimpang kunyit curcuma domestica val dengan variasi tipe basis salep dan evaluasi sifat fisiknya rimpang kunyit dari beberapa penelitian in vivo dan in vitro menunjukkan bahwa

**kemik suyu tarifi Çorba tarifleri hüriyet** - Dec 27 2021

web jun 17 2023 formulasi sirup ekstrak kunyit 2 12 downloaded from uniport edu ng on june 17 2023 by guest food



industrial processes benjamin valdez 2012 02 22 the global food industry has the largest number of demanding and knowledgeable consumers the world population of seven billion inhabitants since every person eats this

*formulasi sirup ekstrak kunyit pdf full pdf support ortax* - Jul 02 2022

web formulasi sirup ekstrak kunyit 2 10 downloaded from uniport edu ng on september 3 2023 by guest ozone in food processing colm o donnell 2012 04 23 this book is the first to bring together essential information on the application of ozone in food processing providing an insight into the current state of

formulasi sirup ekstrak kunyit uniport edu ng - Feb 26 2022

web nov 21 2018 kaynadıkça suyun yüzeyine çıkan kahverengi köpükleri kaşıkla toplayıp atın hiç köpük kalmayana kadar kaynatın bu noktada tuz tane karabiber defne yaprağı ve diğer

*optimasi konsentrasi cmc na dan sucrosa pada* - Feb 09 2023

web ekstraksiyon ile hazırlanan farmasötik çözelti şeklindeki preparatlar tentürler belladon ipeka afyon tentürü bitkisel araplar eliksirler tisanlar dekoksasyonlar rataniae saponariae infüzyonlar tilia digitalis maseratlar sirkeler alkolalar garus üuruplar ekstreler

*pdf formulasi nanoemulsi ekstrak* - Apr 11 2023

web hasil penelitian menunjukkan bahwa perbandingan sukrosa sebagai bahan pemanis dan cmc na sebagai bahan pengental berpengaruh terhadap sifat fisik dan rasa sirup ekstrak etanolik temulawak formula optimum sirup temulawak diperoleh pada proporsi larutan cmc na 1 sebesar 10 dan larutan sukrosa 80 sebesar 90 dan sirup yang

formulasi sirup ekstrak kunyit uniport edu ng - Jun 01 2022

web jun 2 2023 formulasi sirup ekstrak kunyit 1 15 downloaded from uniport edu ng on june 2 2023 by guest formulasi sirup ekstrak kunyit this is likewise one of the factors by obtaining the soft documents of this formulasi sirup ekstrak kunyit by online you might not require more grow old to spend to go to the ebook foundation as without difficulty as

**formulasi granul instan ekstrak meniran kunyit** - Nov 06 2022

web dari data evaluasi formulasi sediaan tablet effervescent lidah buaya aloe vera yang paling baik untuk dibuat tablet effervescent yaitu formula i yang berisi granul ekstrak 150 mg laktosa 1890 mg asam sitrat 100 mg asam tartat 300 mg natrium bikarbonat 400 mg peg 6000 60 mg aspartame 100 mg dan pengaroma secukupnya

formulasi sirup ekstrak kunyit uniport edu ng - Oct 25 2021

**formulasi salep ekstrak etanol rimpang kunyit curcuma** - Aug 03 2022

web jun 29 2023 formulasi sirup ekstrak kunyit 1 10 downloaded from uniport edu ng on june 29 2023 by guest formulasi sirup ekstrak kunyit recognizing the exaggeration ways to get this book formulasi sirup ekstrak kunyit is additionally useful

you have remained in right site to start getting this info get the formulasi

**formulasi sirup ekstrak kunyit gsevocab pearsonelt** - Mar 10 2023

web tentang intervensi pemberian sirup bunga rosella untuk membantu menurunkan tekanan darah pasien hipertensi buku ini menjelaskan tentang bahanya hipertensi dan juga intervensi pemberian sirup rosella hipertensi merupakan salah satu penyebab morbiditas dan mortalitas yang sering terjadi di dunia

**formulasi sirup ekstrak kunyit uniport edu ng** - Mar 30 2022

web kızılcığın şifasını her yudum da hissetmeniz için ve isterseniz şerbet isterseniz de konsantre şurup kıvamında hazırlayabileceğiniz iki tarifi de sizlerle paylaşmak istiyorum yaz mevsiminde tüketebileceğiniz sağlıklı şifalı şerbetleri sürekli hazırlamanızı ve asitli içecekler yerine misafirlerinize ailenize ikram etmenizi öneririm İlk şerbet tarifimiz olan

**ekstraksiyon ile hazırlanan farmasötik çözelti ekindeki** - Dec 07 2022

web formulasi menggunakan ekstrak kunyit dengan konsentrasi 0 8 f1 1 6 f2 2 4 f3 serta kontrol basis f0 evaluasi karakteristik mutu fisik sediaan lotion meliputi pengamatan organoleptik pengujian homogenitas pengukuran daya sebar dan uji ph sediaan di evaluasi selama 16 hari yang disimpan pada suhu kamar

[bab 1 sirup kunyit pdf scribd](#) - May 12 2023

web 4 formulasi sirup ekstrak kunyit 2023 02 05 indispensable reference for food scientists and technology sts to enable successful analysis provides detailed reports on experimental procedures includes sections on background theory and troubleshooting emphasizes effective state of the art methodology written by recognized experts in the

**uji stabilitas fisik dan hedonik sirup herbal kunyit** - Aug 15 2023

web tujuan penelitian ini untuk mengetahui hasil stabilitas fisik dan hedonik sirup herbal dengan perbedaan suhu penyimpanan yaitu formula i disimpan pada suhu 50c dan formula ii disimpan pada suhu 350c selama 24 jam sebanyak 14 siklus

**laporan praktikum formuli sediaan** - Jul 14 2023

web 96 formulasi menggunakan ekstrak kunyit dengan konsentrasi 0 8 f1 1 6 f2 dan 2 4 f3 serta kontrol basis f0 evaluasi karakteristik fisik sediaan bedak padat meliputi pengamatan organoleptis pengujian homogenitas uji ph pengukuran

**formulasi dan uji mutu fisik ekstrak kunyit** - Jun 13 2023

web nov 29 2021 a apa saja manfaat kunyit curcuma domesticae rhizoma b formulasi apa saja yang digunakan untuk membuat sediaan sirup herbal ekstrak kunyit curcuma domesticae rhizoma c bagaimana metode pembuatan sirup herbal ekstrak kunyit curcuma domesticae rhizoma

**konsantre kızılcık Şurubu tarifi kolay ev yemekleri** - Jan 28 2022

web jun 20 2023 formulasi sirup ekstrak kunyit 2 10 downloaded from uniport edu ng on june 20 2023 by guest martindale

sean c sweetman 2002 this is a source of information on medicines

*pdf formulasi dan uji hedonik serbuk effervescent ekstrak* - Sep 04 2022

web formulasi sirup ekstrak kunyit pdf pages 2 33 formulasi sirup ekstrak kunyit pdf upload suny e ferguson 2 33

downloaded from support ortax org on september 2 2023 by suny e ferguson in antioxidants with processed foods or by using well recognised antioxidants as food additives in

**formulasi sirup ekstrak kunyit uniport edu ng** - Nov 25 2021

web formulasi sirup ekstrak kunyit 2 8 downloaded from uniport edu ng on april 23 2023 by guest various online catalogs if you think there are any problems regard copyright issues please contact us immediately via dmca publicdomain org uk pulses sugar and tuber crops chittaranjan kole 2007 01 20 pulses sugar and tuber crops comprises reviews

**formulasi sirup ekstrak kunyit** - Jan 08 2023

web aug 27 2022 penelitian ini bertujuan untuk mengevaluasi karakteristik fisik granul instan kombinasi ekstrak meniran kunyit dan daun kelor dengan bahan pengisi maltodekstrin dan laktosa metode pembuatan

*formulasi sirup ekstrak kunyit uniport edu ng* - Apr 30 2022

web mar 14 2023 formulasi sirup ekstrak kunyit 1 11 downloaded from uniport edu ng on march 14 2023 by guest formulasi sirup ekstrak kunyit thank you categorically much for downloading formulasi sirup ekstrak kunyit maybe you have knowledge that people have look numerous times for their favorite books in imitation of this formulasi sirup

expresate holt spanish 1 packet ch8 pdf download only - May 12 2023

web jun 6 2023 expresate holt spanish 1 packet answers ch8 pdf 2023 web may 2 2023 download and install expresate holt spanish 1 packet ch8 correspondingly simple objective proficiency workbook with answers with audio cd peter sunderland download free expresate holt spanish 1 packet answers web 1 expresate holt spanish 1 packet

expresate holt spanish 1 packet ch8 pdf copy elections freep - Aug 03 2022

web expresate holt spanish 1 packet ch8 pdf upload mia v williamson 1 1 downloaded from elections freep com on july 31 2023 by mia v williamson expresate holt spanish 1 packet ch8 pdf in some

**expresate holt spanish 1 packet ch8 pdf radiobolt oneblackbear** - Feb 26 2022

web spanish 1 packet ch8 expresate holt spanish 1 packet spanish 1 review learn spanish 1 review test for final exam spanish 1 spring 2014 the best spanish book for beginners review madrigal s magic key to spanish reflexive pronouns and verbs in spanish rules and examples

expresate holt spanish 1 packet ch8 cbb waroengss com - Mar 30 2022

web answers ch8 expresate holt spanish 1 packet answers ch8 buysms de expresate holt spanish 1 packet answers ch8 iakyol de april 23rd 2018 read now expresate holt spanish 1 packet answers ch8 free ebooks in pdf format solution cost

management 5th edition blocher 2006 suzuki rm 250 service manual

[expresate spanish 1 1st edition solutions and answers quizlet](#) - Aug 15 2023

web find step by step solutions and answers to expresate spanish 1 9780030452048 as well as thousands of textbooks so you can move forward with confidence rinehart winston and holt more textbook info rinehart winston and holt isbn

9780030452048 rinehart winston and holt textbook solutions verified chapter 1 espana page 7 2

[expresate holt spanish 1 packet ch8 copy uniport edu](#) - Mar 10 2023

web jun 12 2023 expresate holt spanish 1 packet ch8 1 5 downloaded from uniport edu ng on june 12 2023 by guest

expresate holt spanish 1 packet ch8 thank you very much for downloading expresate holt spanish 1 packet ch8 as you may know people have look hundreds times for their favorite readings like this expresate holt spanish 1 packet ch8

**expresate holt spanish 1 packet ch8 pdf uniport edu** - Oct 05 2022

web web19 jun 2023 pdf expresate holt spanish packet answers ch8 free ebook expresate holt spanish 1 packet answers ch8

iakyol de expresate holt spanish 2 packet answers ch8 unfies de expresate holt spanish 1 packet answers ch8 pdf download

expresate holt spanish 1 packet answers ch8 expresate holt spanish 1

**expresate holt spanish 1 packet answers ch8 pdf** - Apr 11 2023

web mar 28 2023 1 expresate holt spanish 1 packet answers ch8 when people should go to the book stores search

foundation by shop shelf by shelf it is in fact problematic this is why we provide the ebook compilations in this website it will definitely ease you to see guide expresate holt spanish 1 packet answers ch8 as you such as

*expresate holt spanish 1 packet ch8 willowwoodco* - Feb 09 2023

web feb 26 2023 1 expresate holt spanish 1 packet ch8 recognizing the pretension ways to acquire this books expresate holt spanish 1 packet ch8 is additionally useful you have remained in right site to start getting this info get the expresate holt

spanish 1 packet ch8 link that we manage to pay for here and check out the link

**expresateholtspanish1packetanswersch8 full pdf** - Nov 06 2022

web spanish three years second edition provides a complete and systematic review of the essential elements of third year spanish with coverage of spanish and spanish american culture along with a wealth of varied practice

**expresate holt spanish 1 packet ch8 doblespacio uchile** - Sep 04 2022

web we have the funds for expresate holt spanish 1 packet ch8 and numerous book collections from fictions to scientific

research in any way in the middle of them is this expresate holt spanish 1 packet ch8 that can be your partner expresate holt spanish 1 packet ch8 downloaded from doblespacio uchile cl by guest miles tommy

*expresate holt spanish 1 packet ch8 test naf* - Jan 28 2022

web jun 20 2023 issue expresate holt spanish 1 packet answers ch8 in this issue some people may be laughing when looking

expresate holt spanish 1 packet ch8 expresate holt spanish 1 packet answers ch8 free ebook expresate holt spanish 1 packet answers ch8 free ebook expresate holt spanish 1 packet answers ch8 free

spanish holt expresate flashcards and study sets quizlet - Jan 08 2023

web learn spanish holt expresate with free interactive flashcards choose from 500 different sets of spanish holt expresate flashcards on quizlet

expresate holt spanish 1 packet answers ch8 2022 ol wise edu - Jul 02 2022

web expresate holt spanish 1 packet answers ch8 3 3 holt mcdougal in battle for peace frankly documents du bois s experiences following his attempts to mobilize americans against the emerging conflict between the united states and the soviet union a victim of mccarthyism du bois endured a humiliating trial he was later acquitted and faced

**expresate holt spanish humbach nancy a free download** - Jul 14 2023

web expresate holt spanish level 1 3 iexpr'sate advanced spanish nuevas vistas access restricted item true addeddate 2012 09 27 13 53 15 boxid ia1124208 boxid 2 ch119801 camera canon eos 5d mark ii city austin tex donor bostonpubliclibrary external identifier

expresate holt spanish 1 packet ch8 pdf book - Jun 13 2023

web apr 6 2023 we present expresate holt spanish 1 packet ch8 pdf and numerous book collections from fictions to scientific research in any way along with them is this expresate holt spanish 1 packet ch8 pdf that can be your partner

**expresate holt spanish 1 packet ch8 enterpriseandardmedia** - Apr 30 2022

web 1 expresate holt spanish 1 packet ch8 yeah reviewing a book expresate holt spanish 1 packet ch8 could build up your close friends listings this is just one of the solutions for you to be successful as understood achievement does not suggest that you have fabulous points comprehending as skillfully as conformity even more than other will

**holt spanish 1 expresate alibris** - Dec 07 2022

web buy holt spanish 1 expresate by nancy humbach sylvia madrigal velasco ana beatriz chiquito online at alibris we have new and used copies available in 1 editions starting at 1 45 shop now

*expresate holt spanish 1 packet ch8* - Dec 27 2021

web 1 expresate holt spanish 1 packet ch8 if you ally craving such a referred expresate holt spanish 1 packet ch8 book that will have enough money you worth get the no question best seller from us currently from several preferred authors if you desire to witty books lots of novels tale jokes and more fictions collections are

**expresate holt spanish 1 packet ch8 darelova** - Jun 01 2022

web pdf online expresate holt spanish 1 packet answers ch8 wednesday 2018 03 28 issue expresate holt spanish 1 packet answers ch8 in this issue some people may be laughing when looking free download expresate holt spanish 1 packet answers

ch8 used nissan frontier manuals transmission used manuals transmission mercedes

*the divine liturgy of our father among the saints basil the* - Apr 19 2022

web mar 1 2020 the divine liturgy of the presanctified gifts of our father among the saints gregory the dialogist slavonic english parallel text 28 80 28 80 get it as soon as tuesday oct 10

**the divine liturgy of saint basil the great greek orthodox** - Jun 02 2023

web holy cross orthodox press is happy to offer the divine liturgy of our father among the saints basil the great which is normally celebrated ten times during the year on january 1 the feast of st basil on the five sundays of lent on the eve of christmas and theophany on the former feasts when they occur on sunday or monday on holy thursday

**divine liturgy of st john chrysostom orthodox england** - Nov 26 2022

web the divine liturgy symbolises the life of christ from his first public preaching through to the crucifixion the resurrection the ascension and the sending of the holy spirit from the father it should be noted that when a bishop or a deacon serve the liturgy there are a number of additions to the text below

**the divine liturgy of our father among the saints john** - Oct 26 2022

web product description this convenient pocket size book contains the necessary texts for the celebration of the liturgy of st john chrysostom by the priest and deacon interpolated with comprehensive rubrical directions this fifth edition has been thoroughly corrected and revised for accurate translation and presentation

the divine liturgy of our father among the saints john - Dec 28 2022

web read 6 reviews from the world s largest community for readers the holy liturgy is the cornerstone on which our church depends and continues its mission t

*the divine liturgy of our father among the saints john chrysostom* - Sep 05 2023

web may 28 2022 b the antiphons 1 liturgy of the word 1 liturgy of the word a the enarxis unless otherwise indicated the texts of the prayers and hymns of the divine liturgy are from the divine liturgy of st john chrysostom 2016 used with permission from the greek orthodox archdiocese of america this text was produced by

*the divine liturgy of our father among the saints john* - Jan 29 2023

web oct 1 2015 the divine liturgy of our father among the saints john chrysostom slavonic english parallel text holy trinity monastery 9780884653523 amazon com books books

of our father among the saints john chrysostom st nikolaos - May 01 2023

web the divine liturgy the divine liturgy is the central worship service of the orthodox church it accompanies the sacrament of holy communion it is always practiced on sunday mornings the day which commemorates the resurrection of christ and on some other calendar days of the church

**the divine liturgy of our father among the saints john** - Jun 21 2022

web hardcover september 6 2022 this convenient pocket size book contains the necessary texts for the celebration of the divine liturgy of st john chrysostom by the priest and deacon interpolated with comprehensive rubrical directions texts sung by the choir are also given in full

*the divine liturgy of our father among the saints pdf scribd* - Aug 04 2023

web the divine liturgy of our father among the saints john chrysostom with commentary and notes the divine liturgy 2 the divine liturgy of st john chrysostom is today the primary worship service of over 300 million orthodox christians around the world from greece to finland from russia to tanzania from japan to kenya bulgaria to australia

**the divine liturgy of our father among the saints john** - Feb 27 2023

web the divine liturgy of our father among the saints john chrysostom st andrew s orthodox press 2005 lord s supper liturgy 189 pages

the divine liturgy of our father among the saints john - Feb 15 2022

web the divine liturgy of our father among the saints john chrysostom slavonic english parallel text holy trinity monastery amazon com tr kitap

**service book the divine liturgy of our father among the saints john** - Sep 24 2022

web about the book this convenient pocket sized book contains the necessary texts for the celebration of the liturgy of st basil the great by the priest and deacon interpolated with comprehensive rubrical directions

the divine liturgy of our father among the saints john - Jul 23 2022

web the divine liturgy of our father among the saints john chrysostom sveshnikov sergei and john chrysostom saint amazon com tr kitap

**the divine liturgy of our father among the saints basil the great** - May 21 2022

web jan 1 2010 paperback 29 95 1 new from 29 95 greek english bi lingual edition of the divine liturgy of our father among the saints basil the great includes the six psalms of orthros doxology the bi lingual text of the divine liturgy including the litanies of the catechumens entrance hymns for feastdays kontakia for feastdays the trisagion

**the divine liturgy of our father among the saints john** - Mar 19 2022

web hardcover 300 pages 5th edition this convenient pocket size book contains the necessary texts for the celebration of the liturgy of st john chrysostom by the priest and deacon interpolated with comprehensive rubrical directions texts sung by the choir are also shown

divine liturgy our father among the saints john chrysostom in - Aug 24 2022

web divine liturgy of our father among the saints john chrysostom in greek greek phonetics and english with hymnal music

for the liturgy in plagal fourth tone

the divine liturgy according to our father among the saints saint - Oct 06 2023

web father bless the entrance priest blessed be the entrance of the saints the deacon opens the sanctuary doors and places the gospel on the altar the other clergy enter the sanctuary the priests kissing the gospel then the altar each saying in a low voice priest hail word of eternal life

**the divine liturgy of our father among the saints** - Jul 03 2023

web h e o r d s r a y e r c our father who art in heaven hallowed be thy name thy kingdom come thy will be done on earth as it is in heaven give us this day our daily bread and forgive us our trespasses as we forgive those who trespass against us and lead us not into temptation but deliver us from evil

the divine liturgy of our father among the saints john - Mar 31 2023

web the divine liturgy prayers of thanksgiving after communion festal and daily dismissals on the nativity of christ on the circumcision on theophany on the meeting of the lord on transfiguration on palm sunday on the same sunday in the evening on great thursday at matins of holy friday the passion gospels on holy and great friday